



US00D750258S

(12) **United States Design Patent**  
**Crossley**

(10) **Patent No.:** **US D750,258 S**

(45) **Date of Patent:** **\*\* Feb. 23, 2016**

(54) **MEDICAL INSTRUMENT**

(71) Applicant: **Asalus Medical Instruments Ltd,**  
Cardiff (GB)

(72) Inventor: **Robin Crossley,** Windsor (GB)

(73) Assignee: **ASALUS MEDICAL INSTRUMENTS LTD,** Cardiff (GB)

(\*\*) Term: **14 Years**

(21) Appl. No.: **29/484,108**

(22) Filed: **Mar. 6, 2014**

(30) **Foreign Application Priority Data**

Sep. 6, 2013 (EM) ..... 002304089

(51) **LOC (10) Cl.** ..... **24-02**

(52) **U.S. Cl.**  
USPC ..... **D24/170; D24/129; D24/144; D24/187**

(58) **Field of Classification Search**  
USPC ..... D24/113, 127, 128, 129, 133, 137, 138,  
D24/144, 168, 170, 187; 606/1, 47, 48, 50,  
606/129, 151; D13/133, 137.1, 154, 184,  
D13/199; 604/114, 240, 533; 600/372, 386,  
600/394, 395

See application file for complete search history.

(56) **References Cited**

**U.S. PATENT DOCUMENTS**

D266,111 S *	9/1982	Doyel	.....	D28/58
D328,283 S *	7/1992	Strand	.....	D13/133
D414,582 S *	9/1999	Hwang	.....	D28/9
6,174,310 B1 *	1/2001	Kirwan, Jr.	.....	A61B 18/1402 606/49
D458,679 S *	6/2002	Thompson et al.	.....	D24/133
D572,200 S *	7/2008	Chawgo	.....	D13/133
D578,482 S *	10/2008	Amidon	.....	D13/133
D580,875 S *	11/2008	Amidon	.....	D13/133
D588,549 S *	3/2009	Lee	.....	D13/133
D588,696 S *	3/2009	Mantle	.....	D24/144
D590,502 S *	4/2009	Geisser et al.	.....	D24/133
D595,410 S *	6/2009	Luzon	.....	D24/146

D640,373 S *	6/2011	Sobiech et al.	.....	D24/133
D672,505 S *	12/2012	Szymanski	.....	D28/58
D693,304 S *	11/2013	Dobler	.....	D13/133
D708,138 S *	7/2014	Sticker	.....	D13/133
D719,651 S *	12/2014	Hoffmann et al.	.....	D24/133
D723,685 S *	3/2015	Myers	.....	D24/144
D724,726 S *	3/2015	Prokop	.....	D24/133
D737,771 S *	9/2015	Hofmann	.....	D13/133
2008/0287925 A1 *	11/2008	Le et al.	.....	606/1
2009/0143827 A1 *	6/2009	Levy	.....	A61B 17/7037 606/308
2011/0082431 A1 *	4/2011	Burgess	.....	A61M 39/10 604/240
2014/0180272 A1 *	6/2014	Dachs, II	.....	A61B 18/14 606/34

\* cited by examiner

*Primary Examiner* — Ian Simmons

*Assistant Examiner* — Samantha Q Lawrence

(74) *Attorney, Agent, or Firm* — King & Schickli, PLLC

(57) **CLAIM**

The ornamental design for a medical instrument, as shown and described.

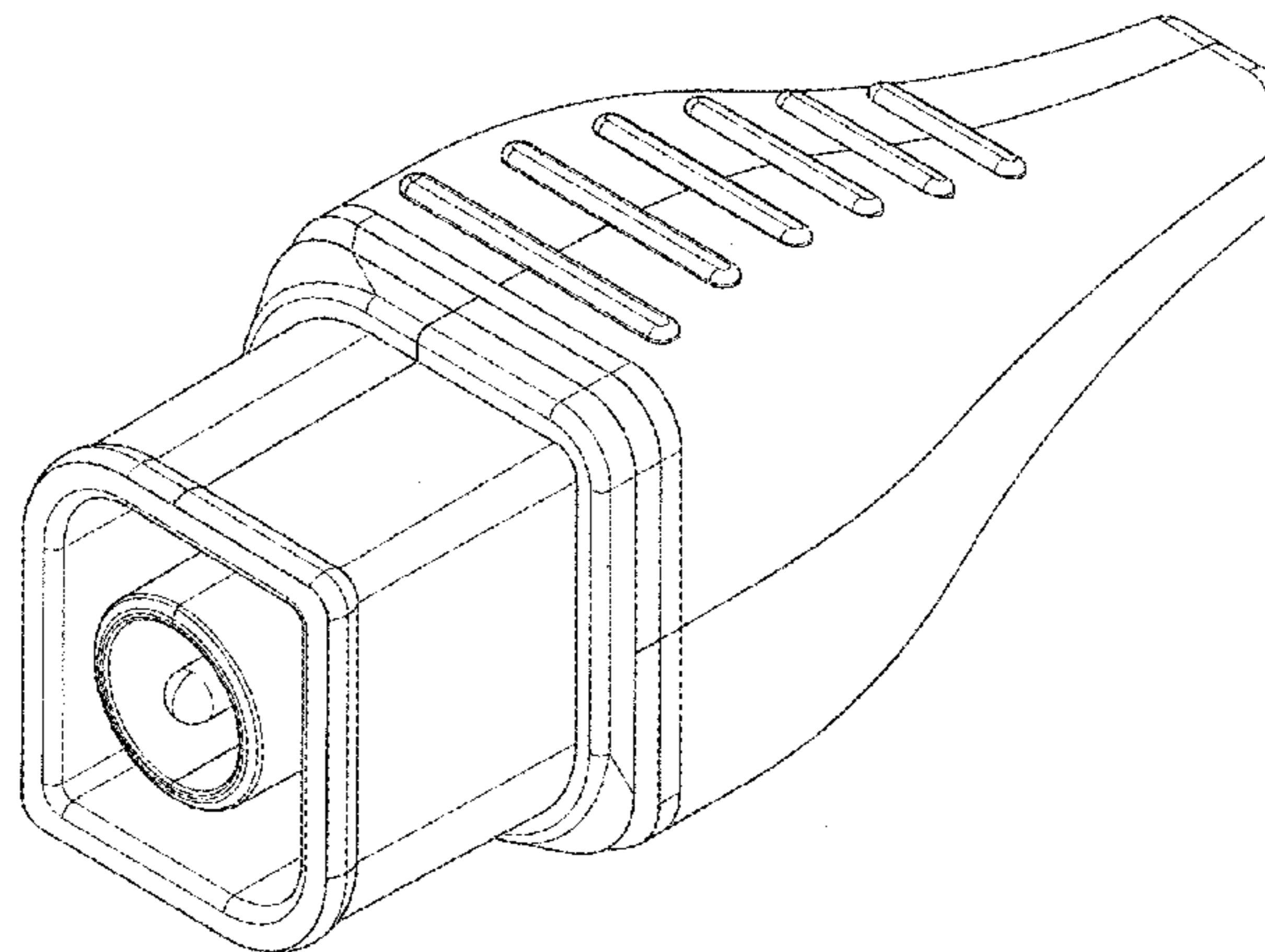
**DESCRIPTION**

FIG. 1 is a perspective view of a medical instrument;  
FIG. 2 is a front view thereof;  
FIG. 3 is a rear view thereof;  
FIG. 4 is a left side view thereof;  
FIG. 5 is a right side view thereof;  
FIG. 6 is a top view thereof; and,  
FIG. 7 is a bottom view thereof.

The broken line showing of the front circular connector of FIG. 2 illustrates portions of the medical instrument that form no part of the claimed design. The broken line showing of the intermediate floor of the square chamber portion of FIG. 3 illustrates portions of the medical instrument that form no part of the claimed design.

The dash-dot-dash lines between the innermost and the outermost circular portions of the connection element of FIG. 3 illustrate the bounds of the claimed design and forms no part thereof.

**1 Claim, 6 Drawing Sheets**



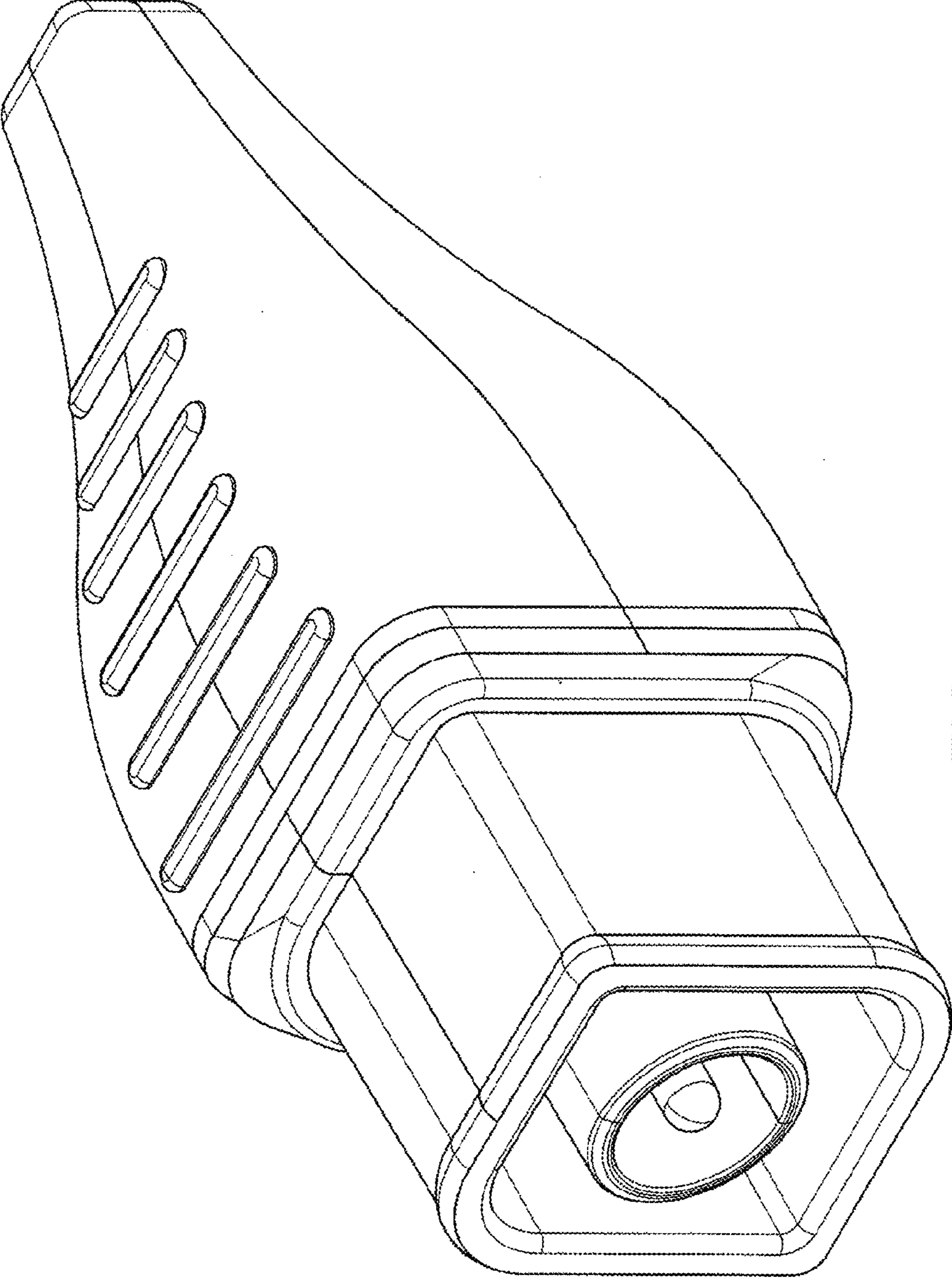


FIG. 1

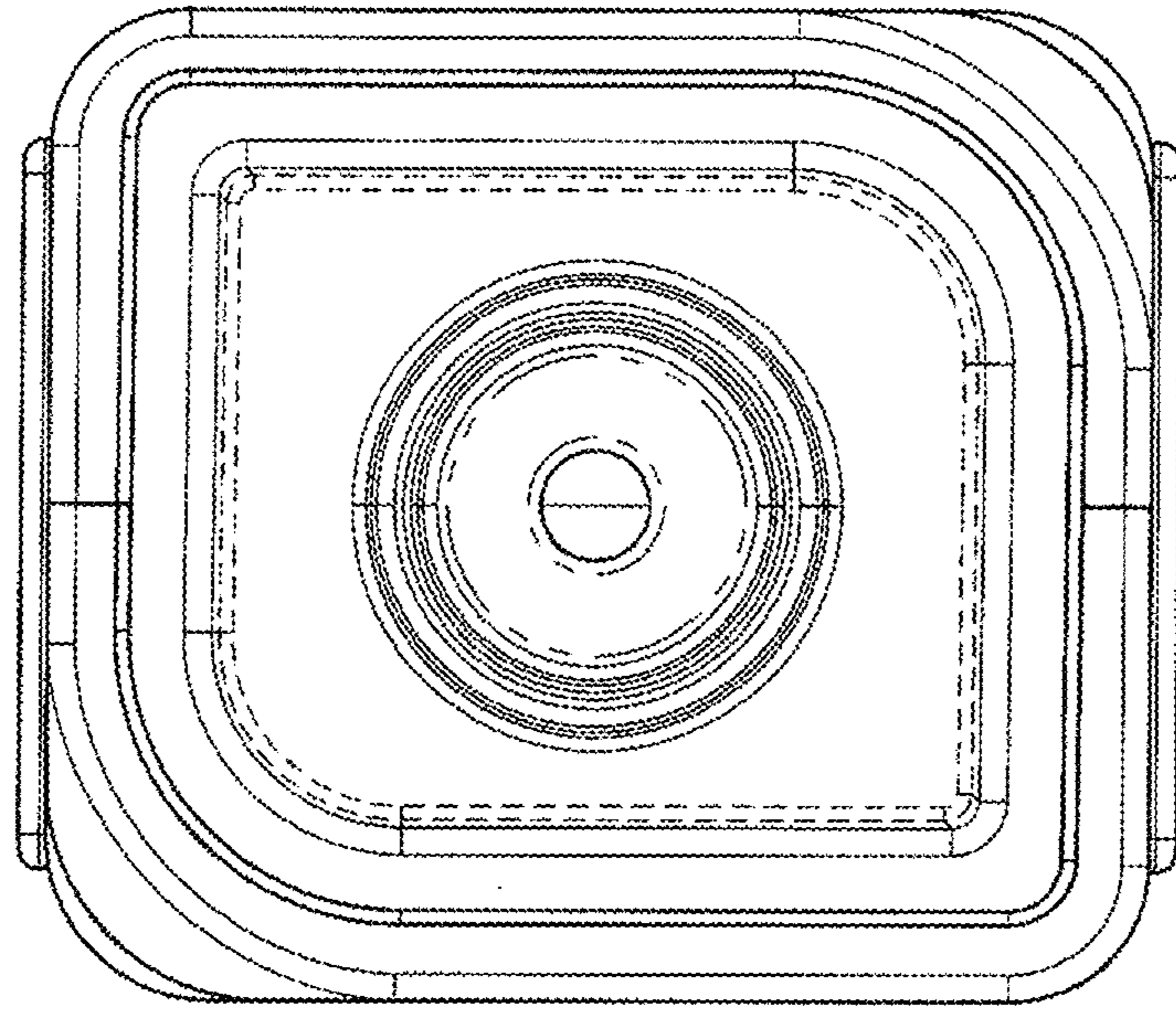


FIG. 3

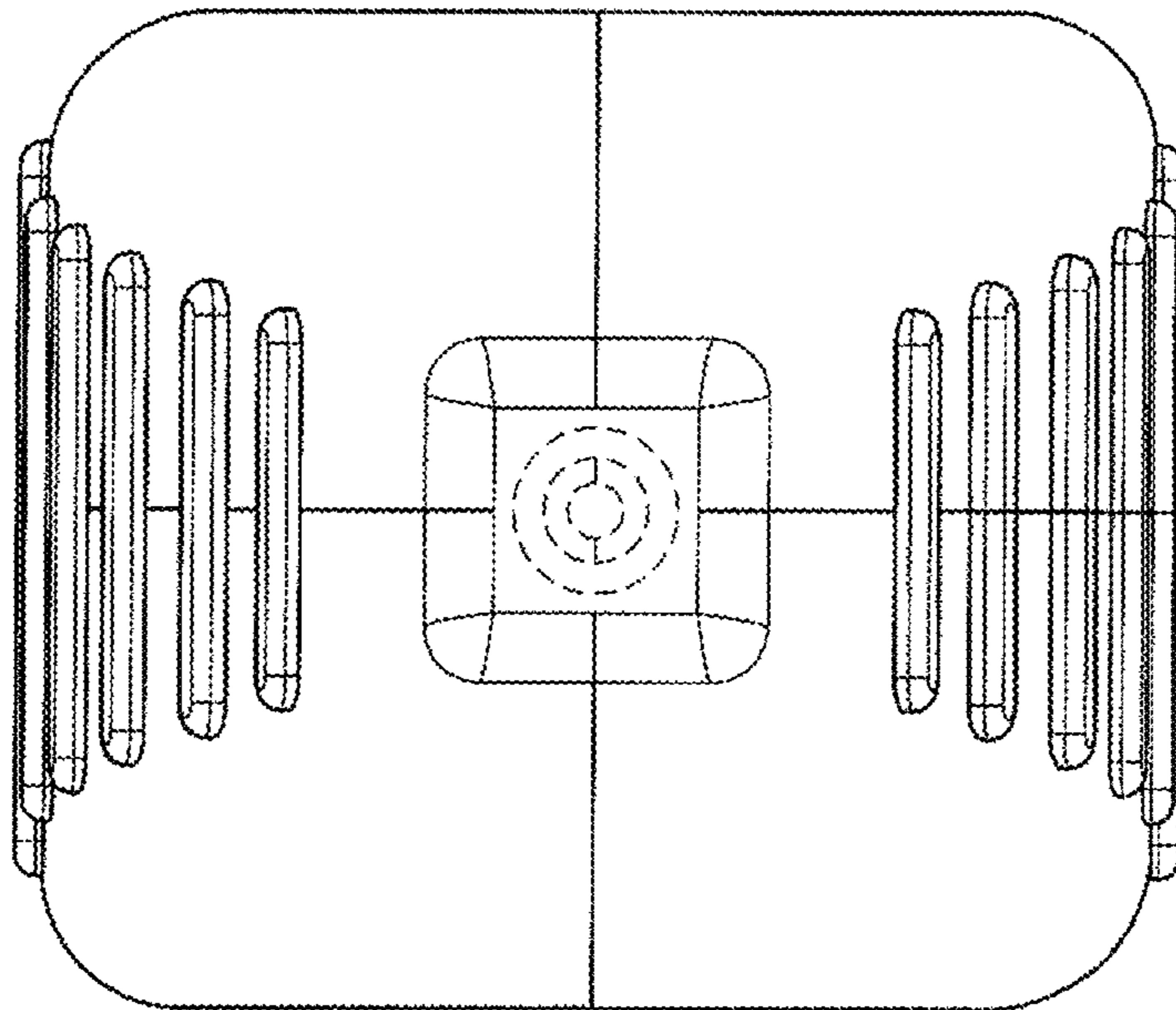


FIG. 2

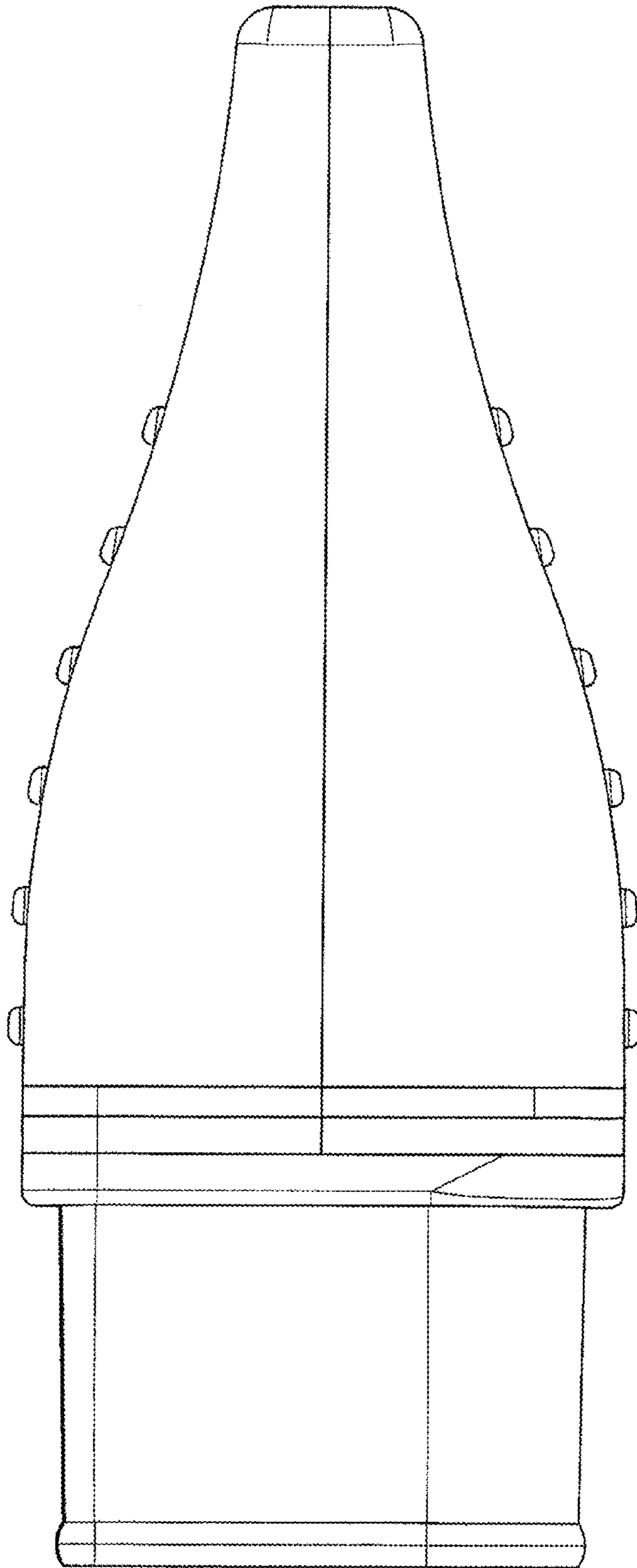


FIG. 4

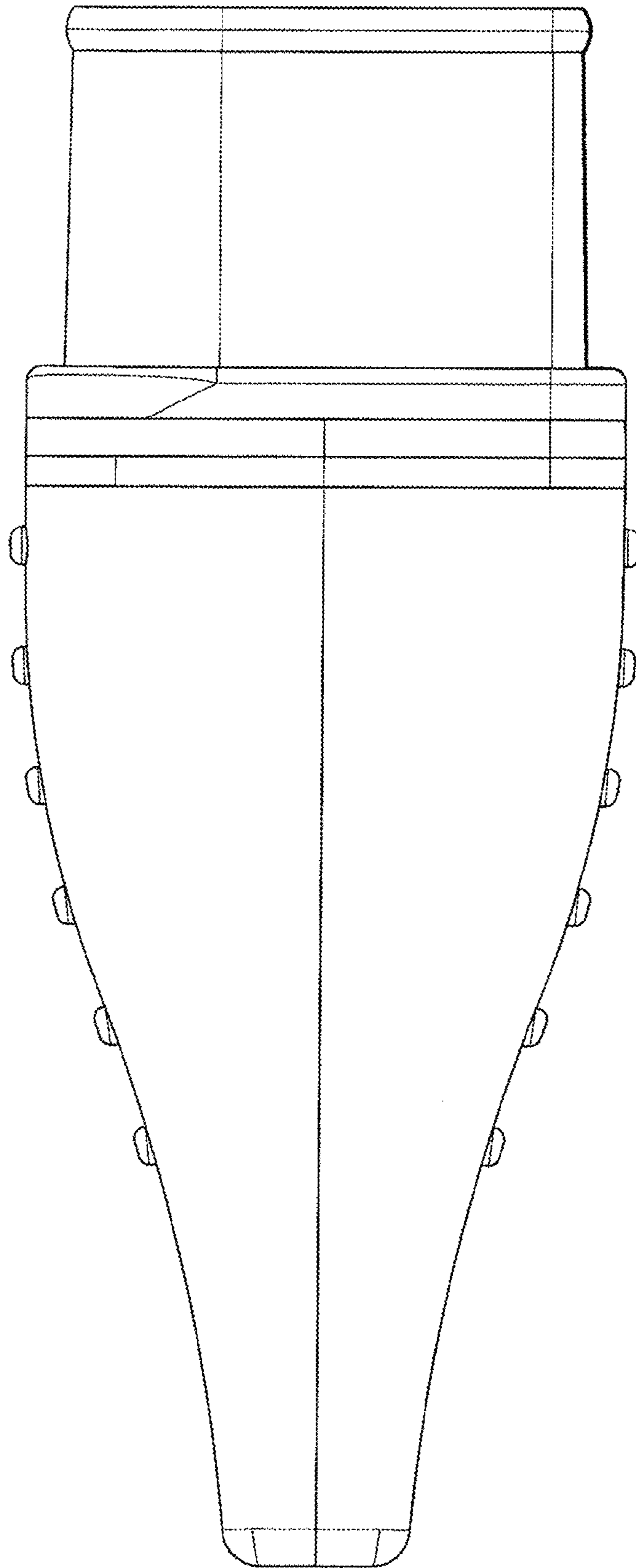


FIG. 5

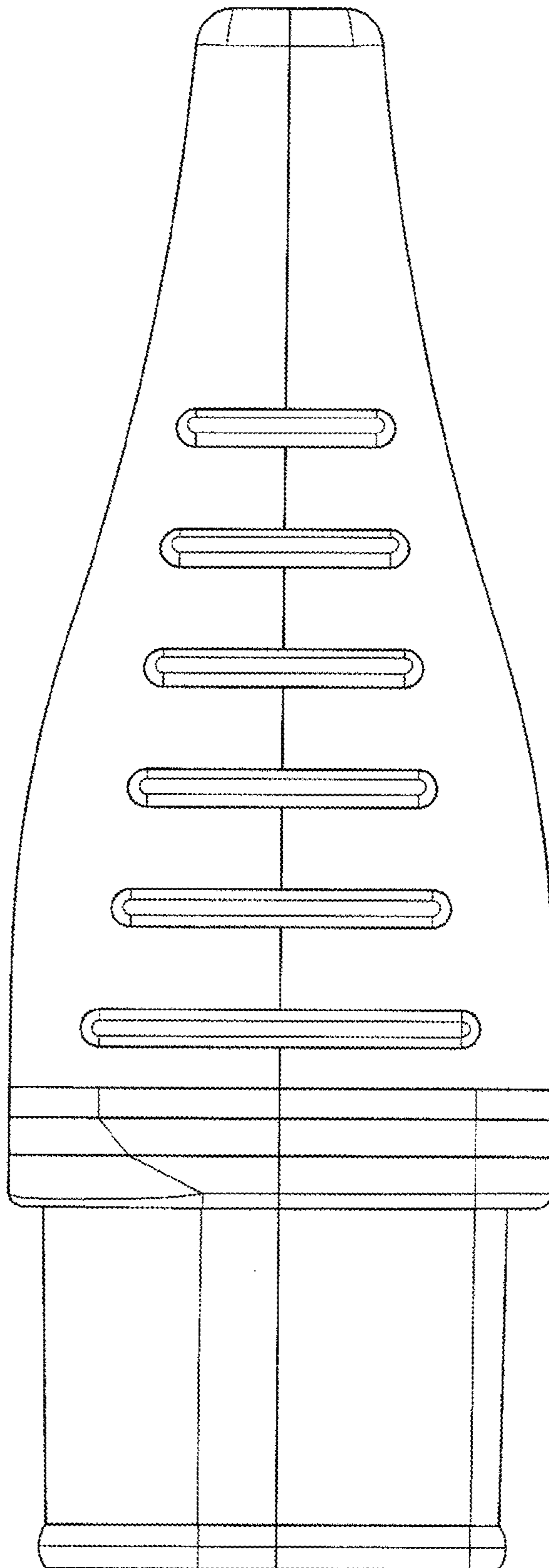


FIG. 6

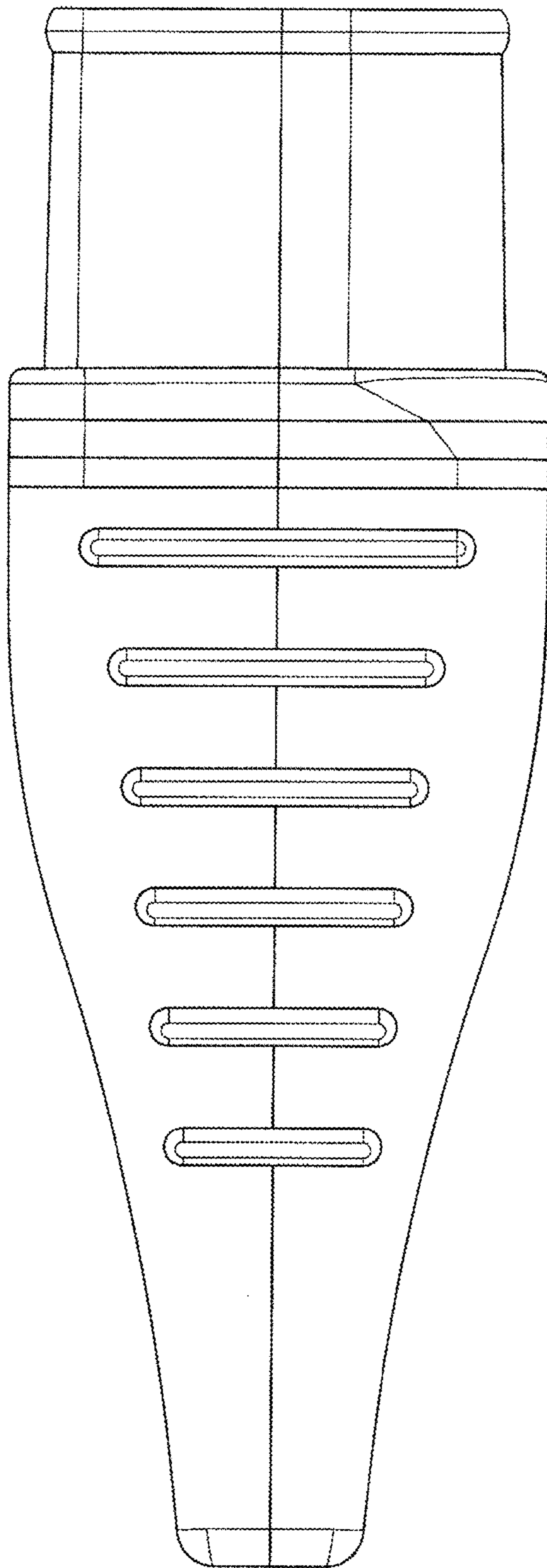


FIG. 7