

US00D750257S

(12) **United States Design Patent**
Kobayashi et al.

(10) **Patent No.:** **US D750,257 S**

(45) **Date of Patent:** **** Feb. 23, 2016**

(54) **BLOOD RESERVOIR AND OXYGENATOR IN COMBINATION**

(56)

References Cited

U.S. PATENT DOCUMENTS

(71) Applicant: **NIPRO CORPORATION**, Osaka-shi, Osaka (JP)
(72) Inventors: **Susumu Kobayashi**, Osaka (JP); **Kazuhisa Ishihara**, Osaka (JP); **Yuji Kuwahara**, Osaka (JP); **Keisuke HIRAMA**, Osaka (JP); **Eiichi Koiso**, Osaka (JP); **Shunsuke Kikumoto**, Osaka (JP); **Yukinori Ebara**, Osaka (JP); **Naoaki Yasumura**, Osaka (JP)

5,039,430 A * 8/1991 Corey, Jr. A61M 1/3627
210/188
D320,661 S * 10/1991 Sone D24/169
5,120,502 A * 6/1992 Gordon A61M 1/1698
128/DIG. 3
D351,909 S * 10/1994 Nogawa D24/169
5,770,073 A * 6/1998 Bach A61M 1/3627
210/436
5,849,186 A * 12/1998 Raneri A61M 1/3627
210/315
6,001,306 A * 12/1999 McFall A61M 422/45
422/45
D490,527 S * 5/2004 Ijiri D24/169
D687,943 S * 8/2013 Kobayashi D24/108

(73) Assignee: **Nipro Corporation**, Osaka-shi (JP)

FOREIGN PATENT DOCUMENTS

(**) Term: **14 Years**

JP 1397485 s 9/2010
JP 1397738 S 9/2010
JP 1412900-SS 5/2011

(21) Appl. No.: **29/497,959**

* cited by examiner

(22) Filed: **Jul. 30, 2014**

Primary Examiner — Anhdao Doan

(30) **Foreign Application Priority Data**

(74) *Attorney, Agent, or Firm* — Birch, Stewart, Kolasch & Birch, LLP

Jan. 31, 2014 (JP) 2014-002010

(57) **CLAIM**

(51) **LOC (10) Cl.** **24-01**

The ornamental design for a blood reservoir and oxygenator in combination, as shown and described.

(52) **U.S. Cl.**

DESCRIPTION

USPC **D24/169**

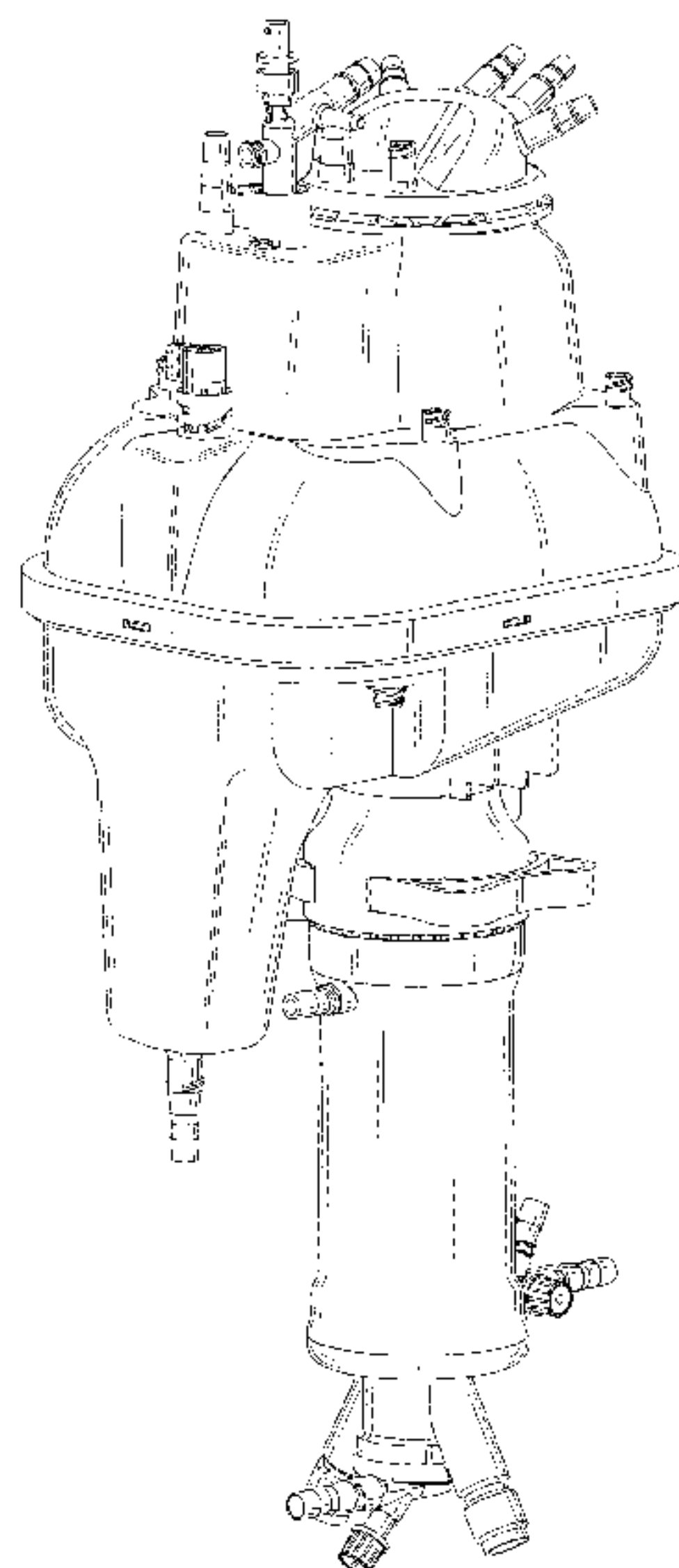
(58) **Field of Classification Search**

FIG. 1 is a perspective view of a blood reservoir and oxygenator in combination;
FIG. 2 is a front view thereof;
FIG. 3 is a rear view thereof;
FIG. 4 is a left side view thereof;
FIG. 5 is a right side view thereof;
FIG. 6 is a top view thereof; and,
FIG. 7 is a bottom view thereof.

USPC D24/107, 108, 111, 121, 169, 224;
604/4.01, 5.01, 6.01, 6.15, 6.14, 413,
604/6.09, 403; 422/44, 45, 46, 47; 210/188,
210/342, 315; 96/179; 261/DIG. 28; 435/2,
435/45, 47; 128/DIG. 3; 165/74
CPC A61M 1/3627; A61M 1/3632; A61M 1/1698

See application file for complete search history.

1 Claim, 6 Drawing Sheets



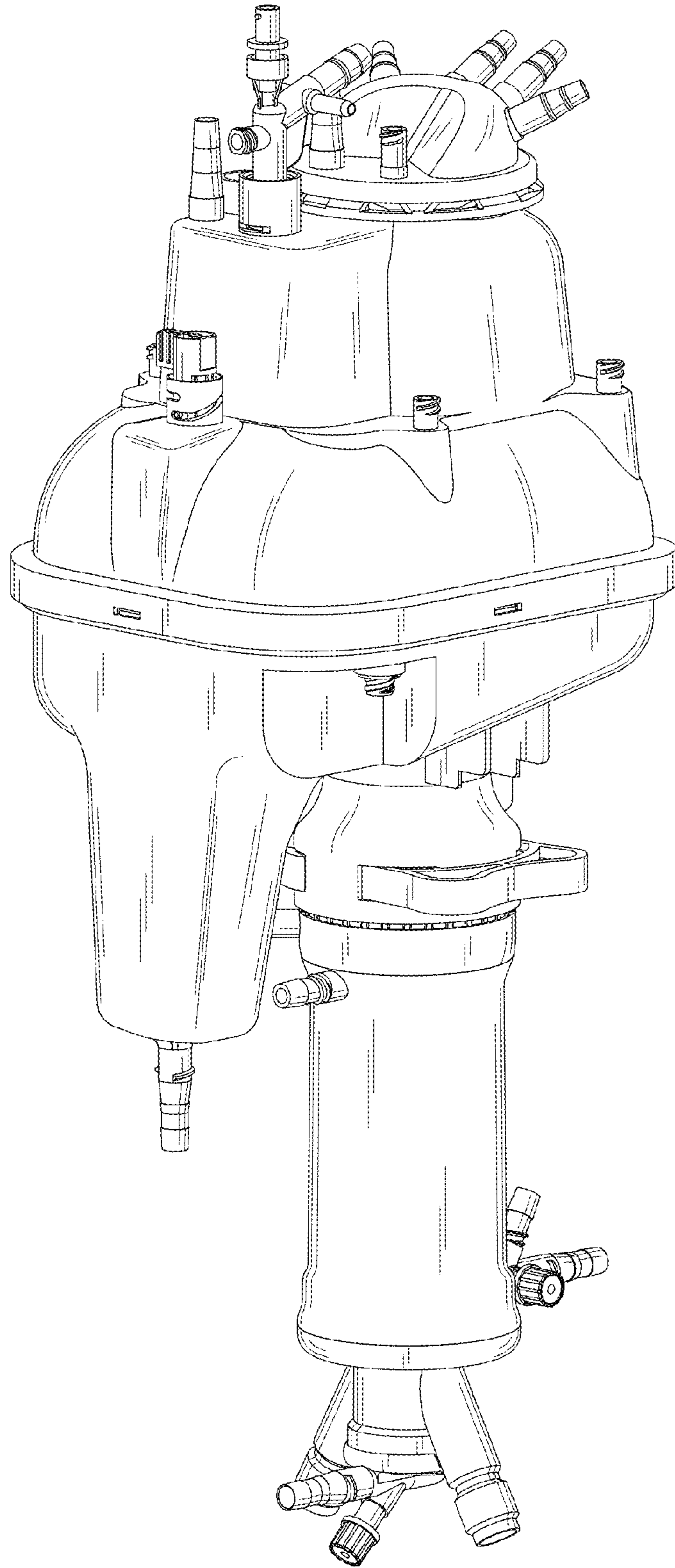


FIG. 1

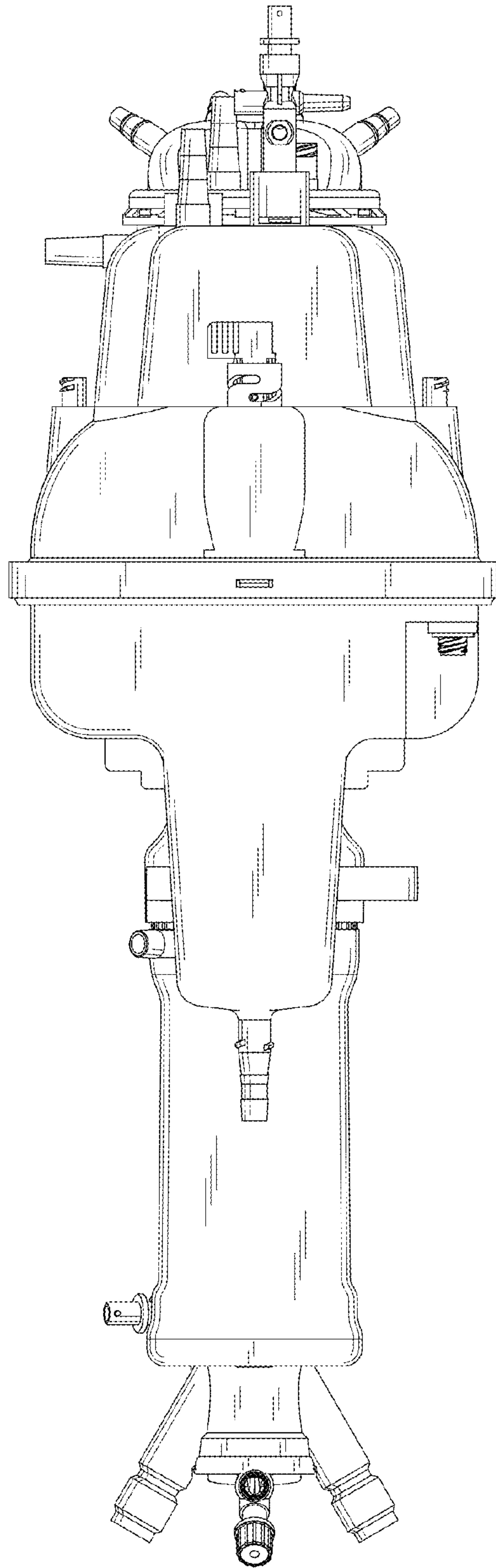


FIG.2

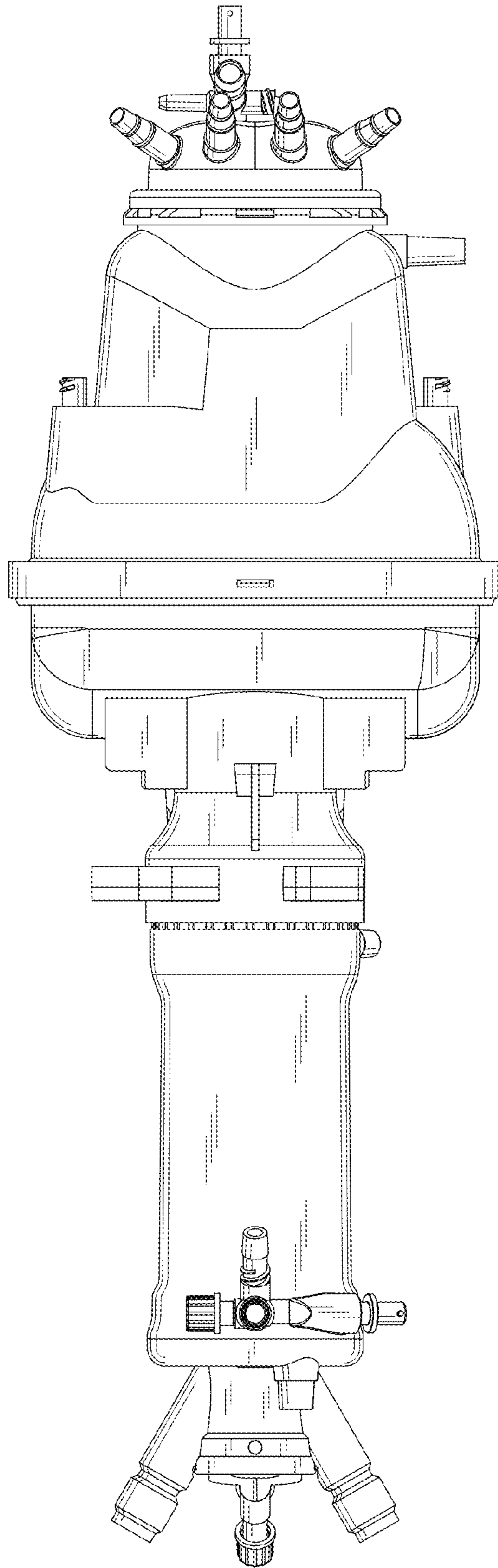


FIG.3

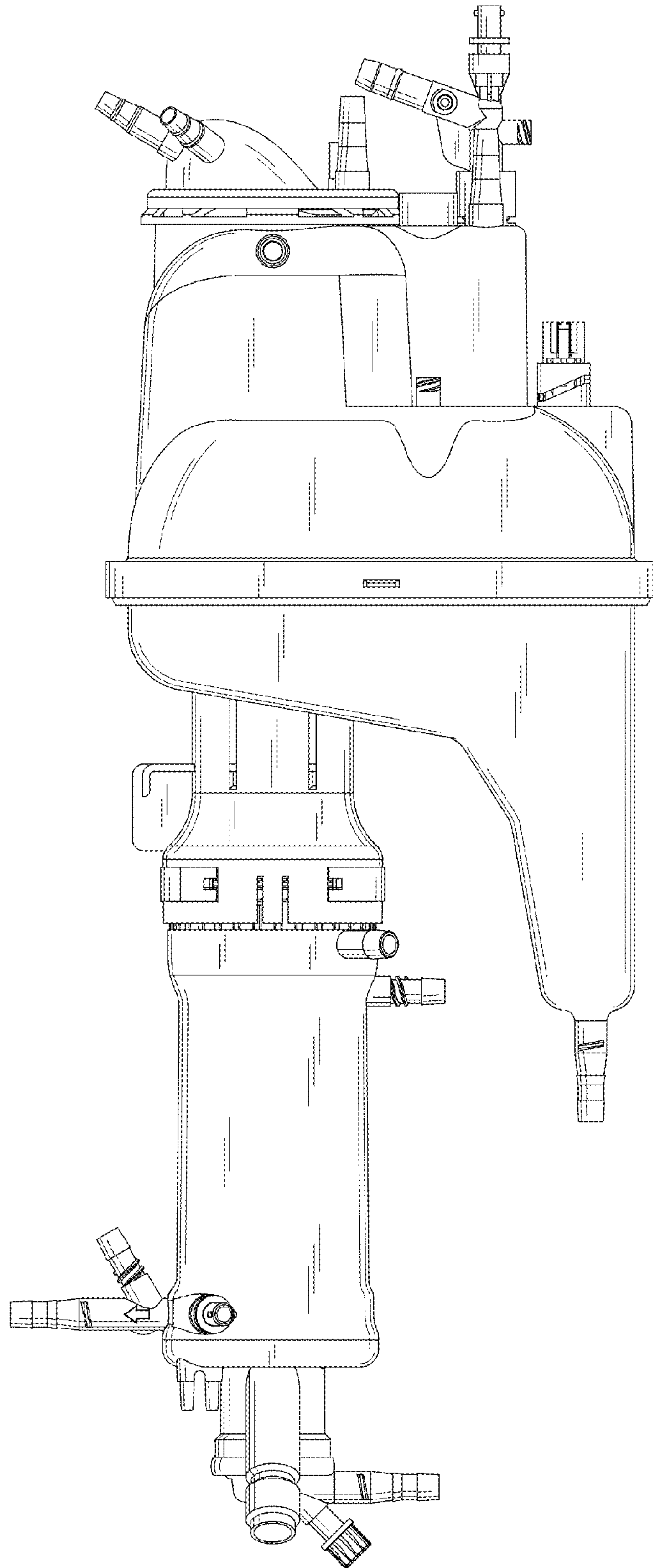


FIG.4

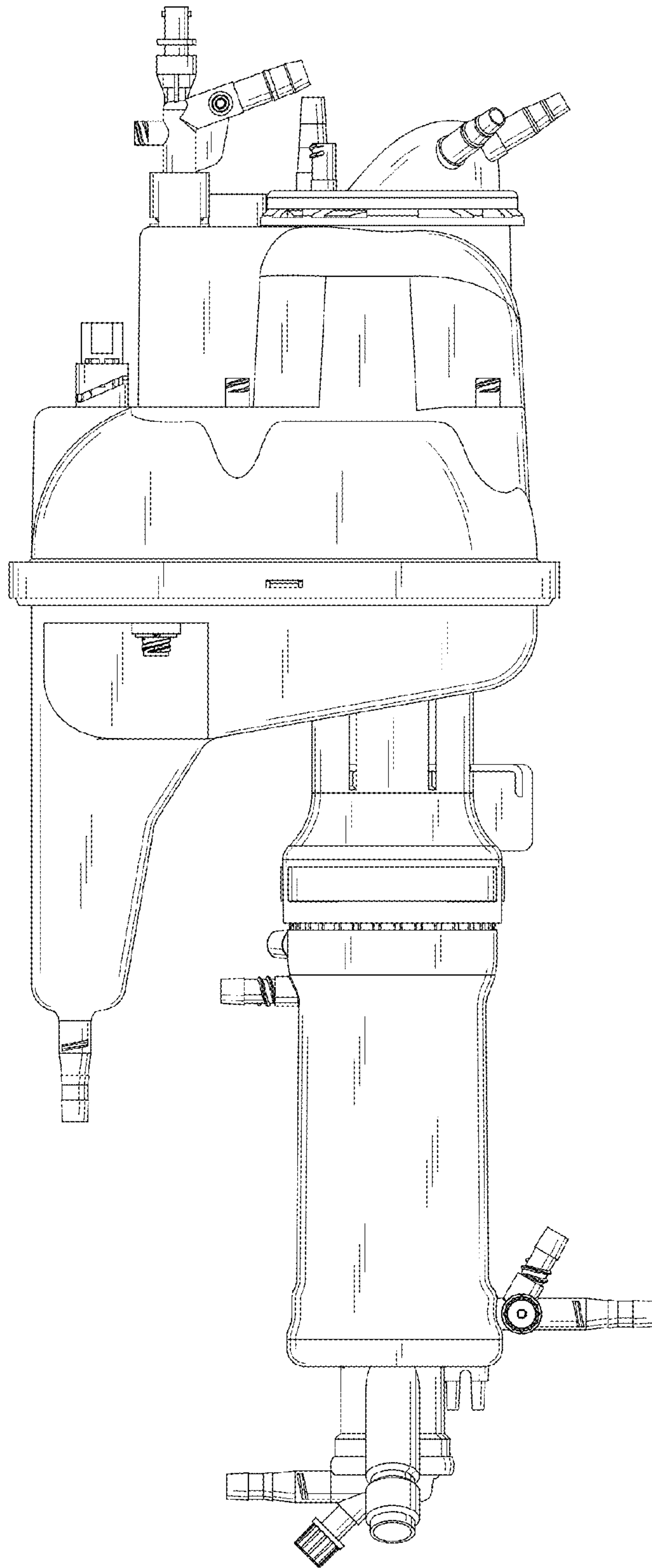


FIG.5

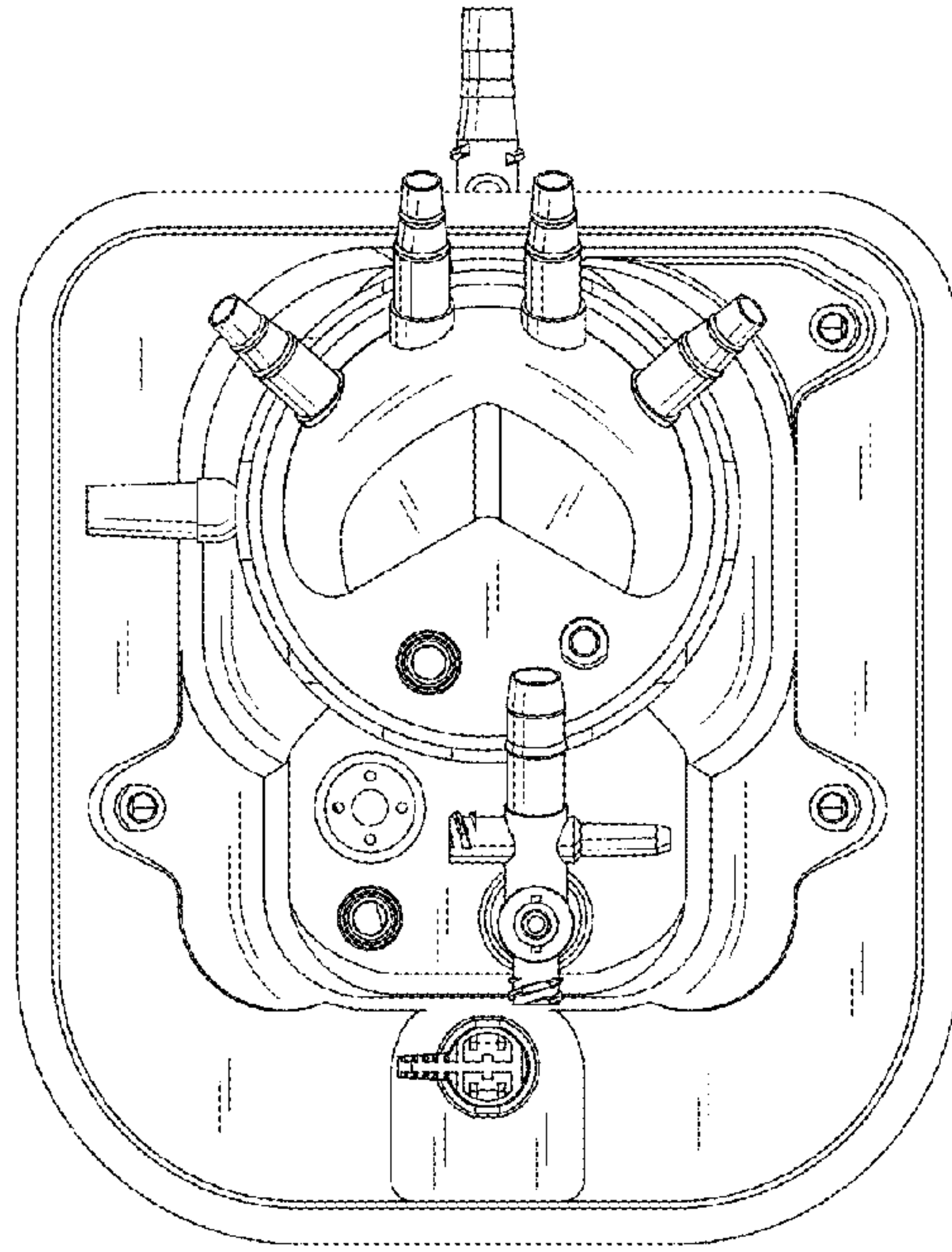


FIG. 6

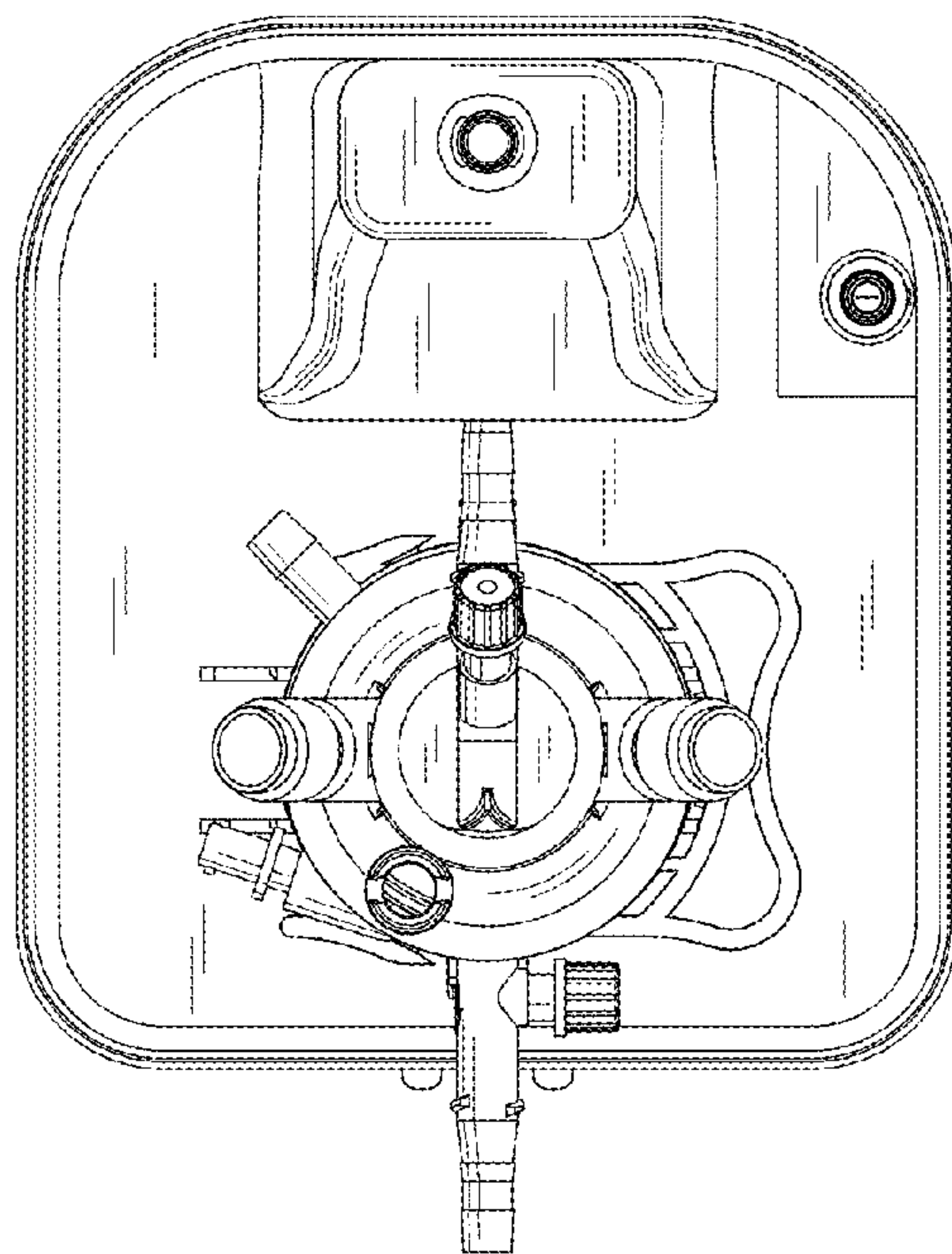


FIG. 7