



US00D750254S

(12) **United States Design Patent**
Boegel et al.

(10) **Patent No.:** **US D750,254 S**

(45) **Date of Patent:** **** Feb. 23, 2016**

(54) **RADIOGRAPHY AND FLUOROSCOPY SYSTEM**

(71) Applicant: **SIEMENS AKTIENGESELLSCHAFT**, Munich (DE)
(72) Inventors: **Richard Max Boegel**, Nuremberg (DE); **Franziska Dinse**, Heiligenstadt (DE); **Mate Koroknai**, Fuerth (DE); **Christoph Tomczak**, Erlangen (DE); **Gerben Ten Cate**, Forchheim (DE)

(73) Assignee: **Siemens Aktiengesellschaft**, Munich (DE)

(**) Term: **14 Years**

(21) Appl. No.: **29/522,787**

(22) Filed: **Apr. 2, 2015**

(30) **Foreign Application Priority Data**

Oct. 2, 2014 (EM) 001424287

(51) **LOC (10) Cl.** **24-01**

(52) **U.S. Cl.**
USPC **D24/159**

(58) **Field of Classification Search**
USPC D24/158-161, 231; 378/28, 42, 44, 64, 378/68
CPC .. A61B 6/4435; A61B 6/4464; A61B 6/4476; A61B 6/447; A61B 6/547; A61B 6/587
See application file for complete search history.

(56) **References Cited**

U.S. PATENT DOCUMENTS

4,501,011 A * 2/1985 Hauck A61B 6/4464 378/190
5,870,450 A * 2/1999 Khutoryansky A61B 6/547 378/181
6,282,264 B1 * 8/2001 Smith A61B 6/4464 378/167
7,329,046 B1 * 2/2008 Muszak A61B 6/4441 378/196
D671,216 S * 11/2012 Moon D24/158
D702,351 S * 4/2014 Li D24/158
2014/0328456 A1 * 11/2014 Lee A61B 6/4464 378/28

* cited by examiner

Primary Examiner — Anhdao Doan

(74) *Attorney, Agent, or Firm* — Laurence Greenberg; Werner Stemer; Ralph Locher

(57) **CLAIM**

The ornamental design for a radiography and fluoroscopy system, as shown and described.

DESCRIPTION

FIG. 1 is a front elevation view of the radiography and fluoroscopy system showing my new invention;
FIG. 2 is a rear elevation view thereof;
FIG. 3 is a top plan view thereof;
FIG. 4 is a bottom plan view thereof;
FIG. 5 is a right elevation view thereof;
FIG. 6 is a left elevation view thereof; and,
FIG. 7 is a perspective view thereof.

1 Claim, 7 Drawing Sheets

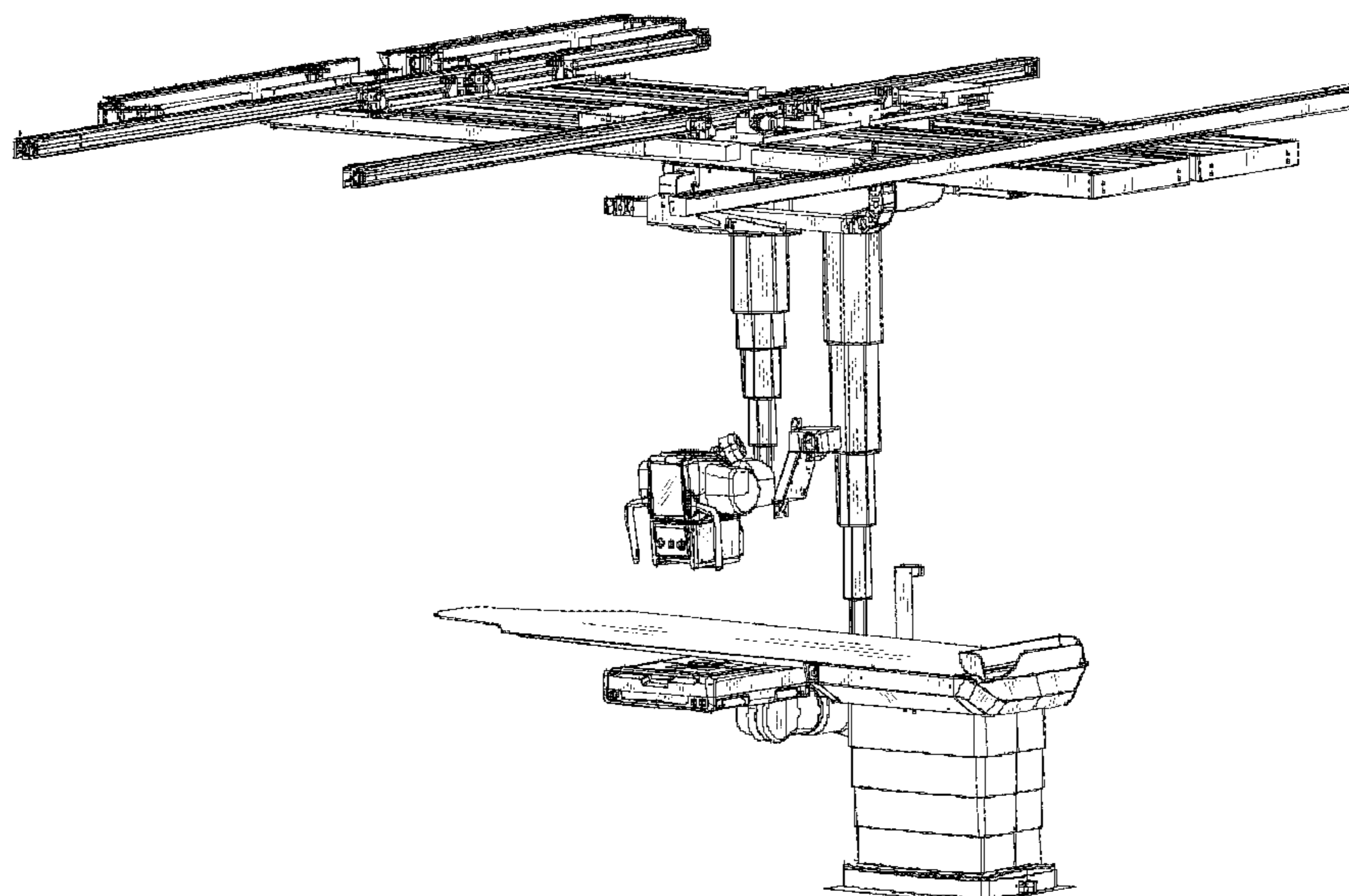


FIG 1

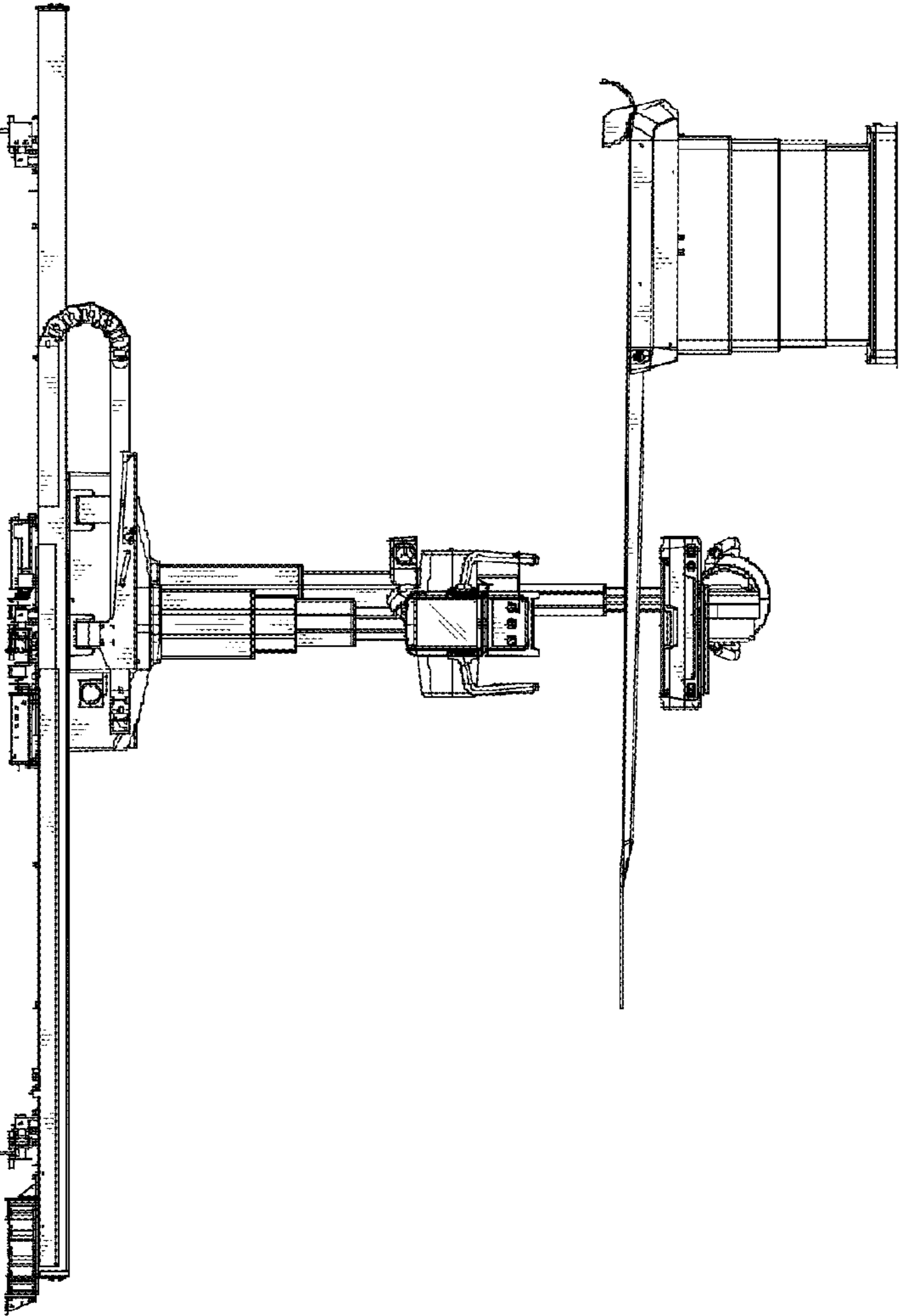


FIG 2

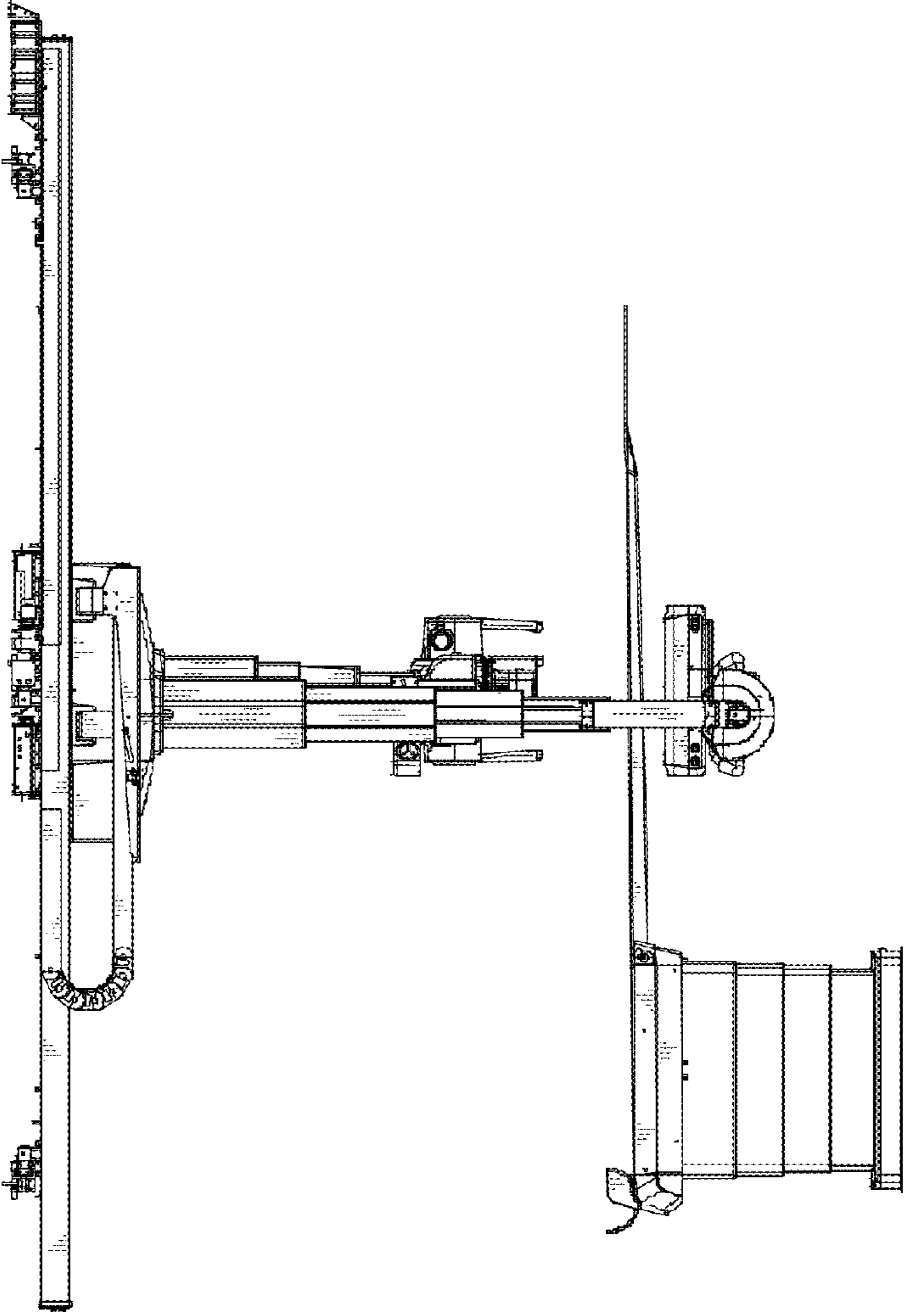


FIG 3

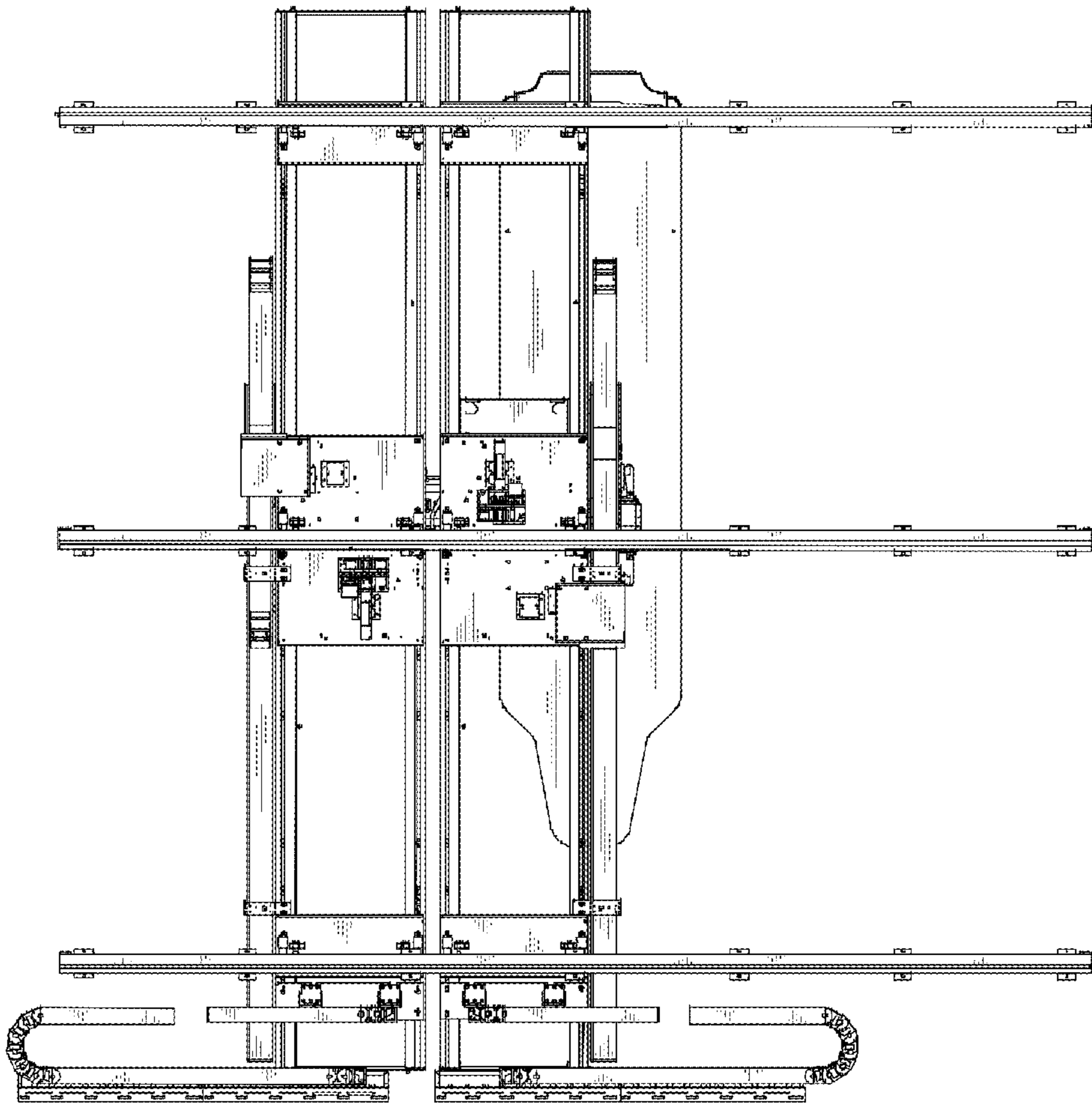


FIG 4

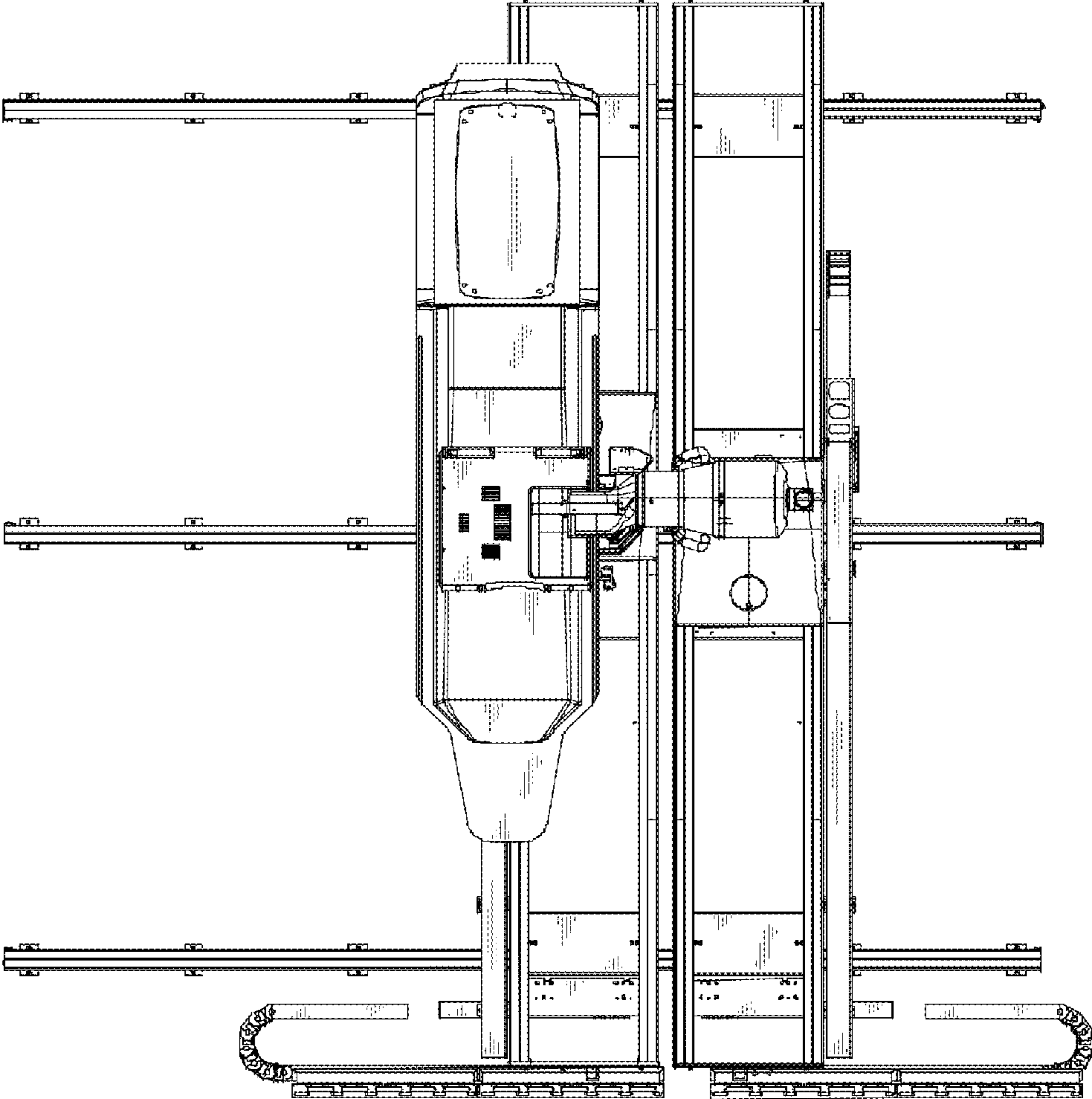


FIG 5

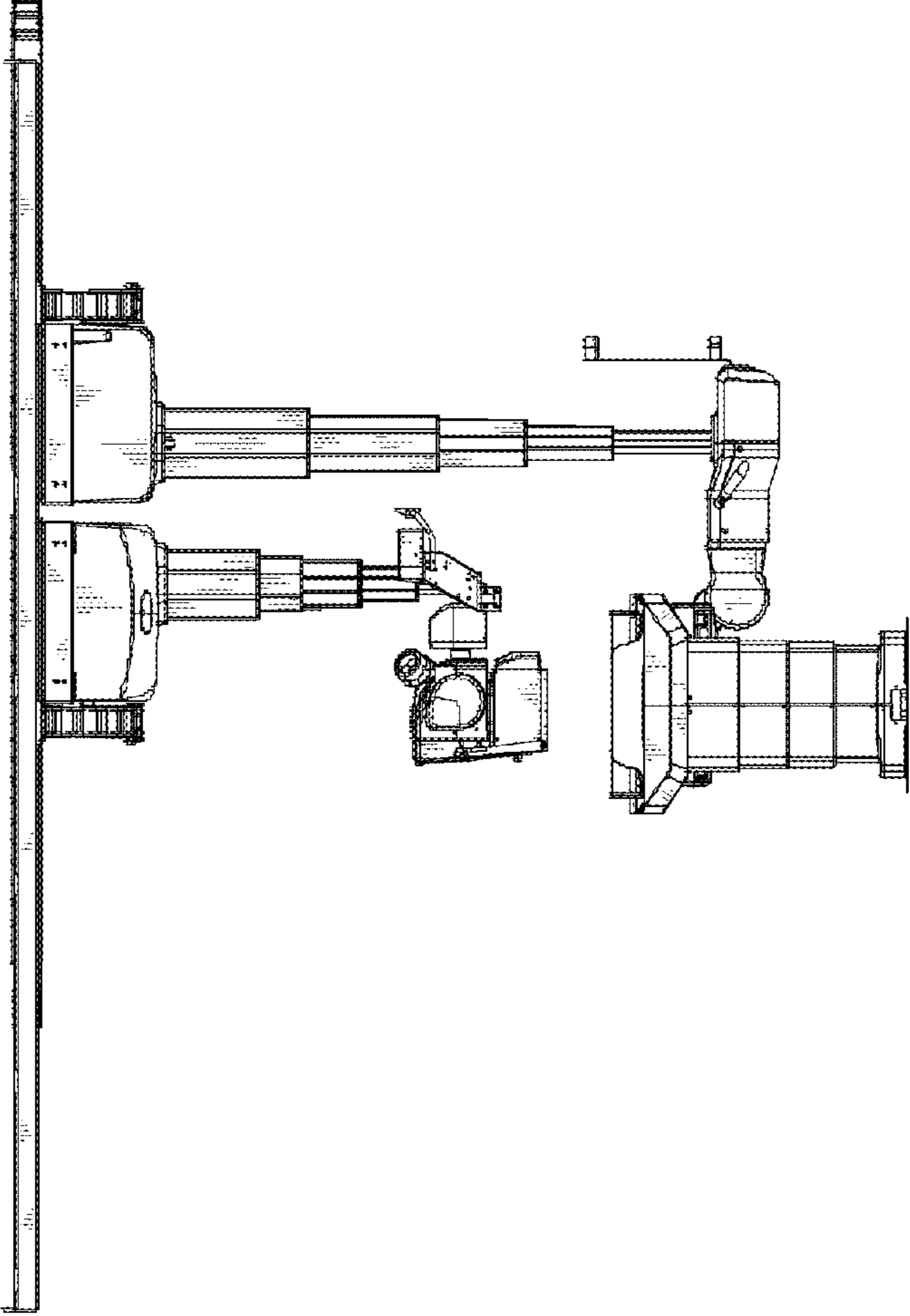


FIG 6

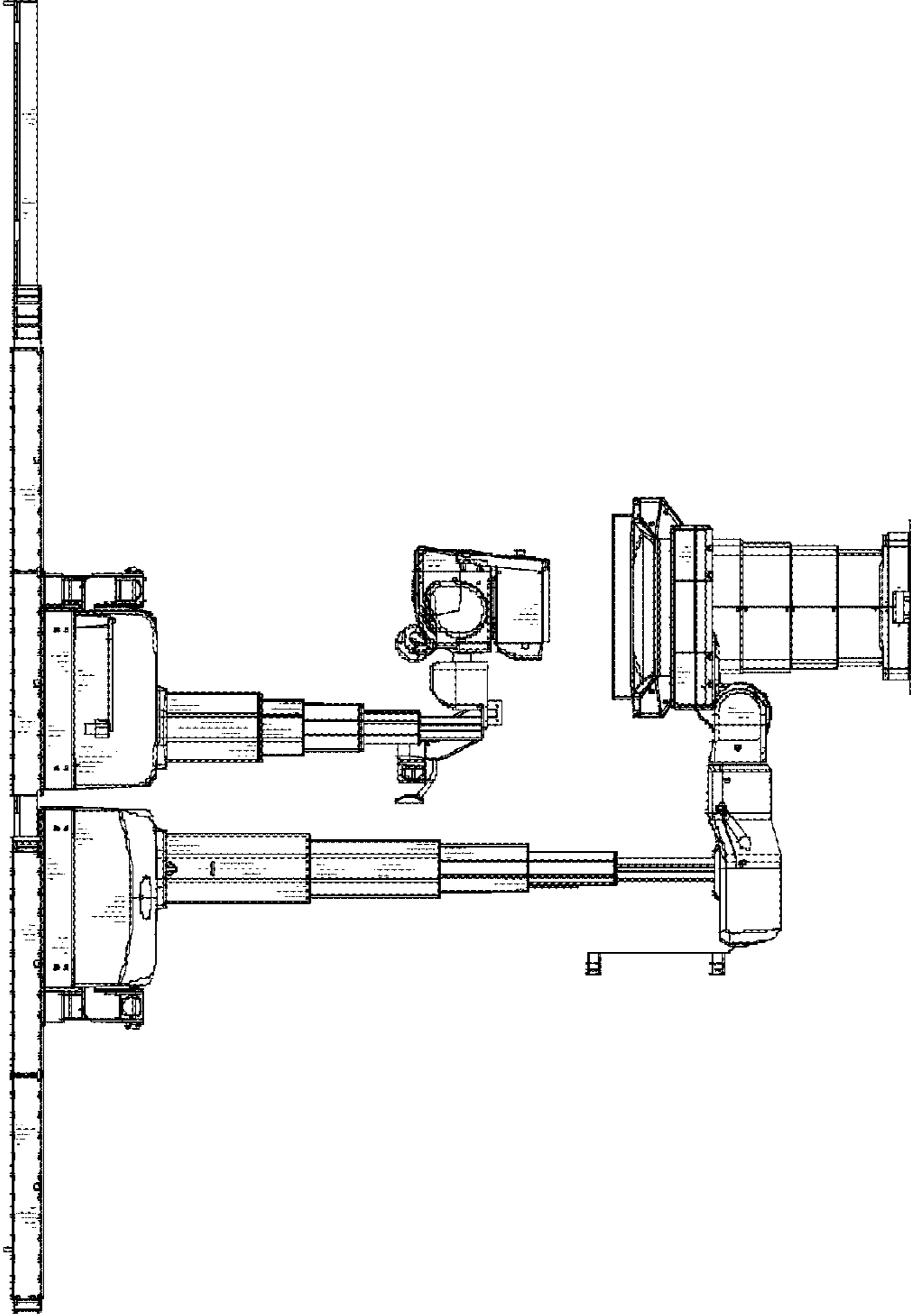


FIG 7

