



US00D750253S

(12) **United States Design Patent**
Liu et al.

(10) **Patent No.:** **US D750,253 S**
(45) **Date of Patent:** **** Feb. 23, 2016**

(54) **GAMMA KNIFE**

(56) **References Cited**

(71) Applicant: **OUR NEW MEDICAL TECHNOLOGIES**, Shenzhen (CN)

U.S. PATENT DOCUMENTS

(72) Inventors: **Haifeng Liu**, Xi'an (CN); **Bing He**, Xi'an (CN)

D570,484 S *	6/2008	Kaneko	D24/158
D628,294 S *	11/2010	Baba	D24/158
D639,950 S *	6/2011	Ramos	D24/158
D659,248 S *	5/2012	Ramos	D24/159
D714,451 S *	9/2014	Park	D24/159
D715,943 S *	10/2014	Zhang	D24/159
D715,944 S *	10/2014	Yao	D24/159
2011/0007867 A1 *	1/2011	Fadler	A61B 6/032 378/65

(**) Term: **14 Years**

(21) Appl. No.: **29/521,721**

* cited by examiner

(22) Filed: **Mar. 26, 2015**

Primary Examiner — Anhdao Doan

(30) **Foreign Application Priority Data**

(57) **CLAIM**

Feb. 13, 2015 (CN) 2015 3 0045015.5

The ornamental design for a gamma knife, as shown and described.

(51) **LOC (10) Cl.** **24-01**

DESCRIPTION

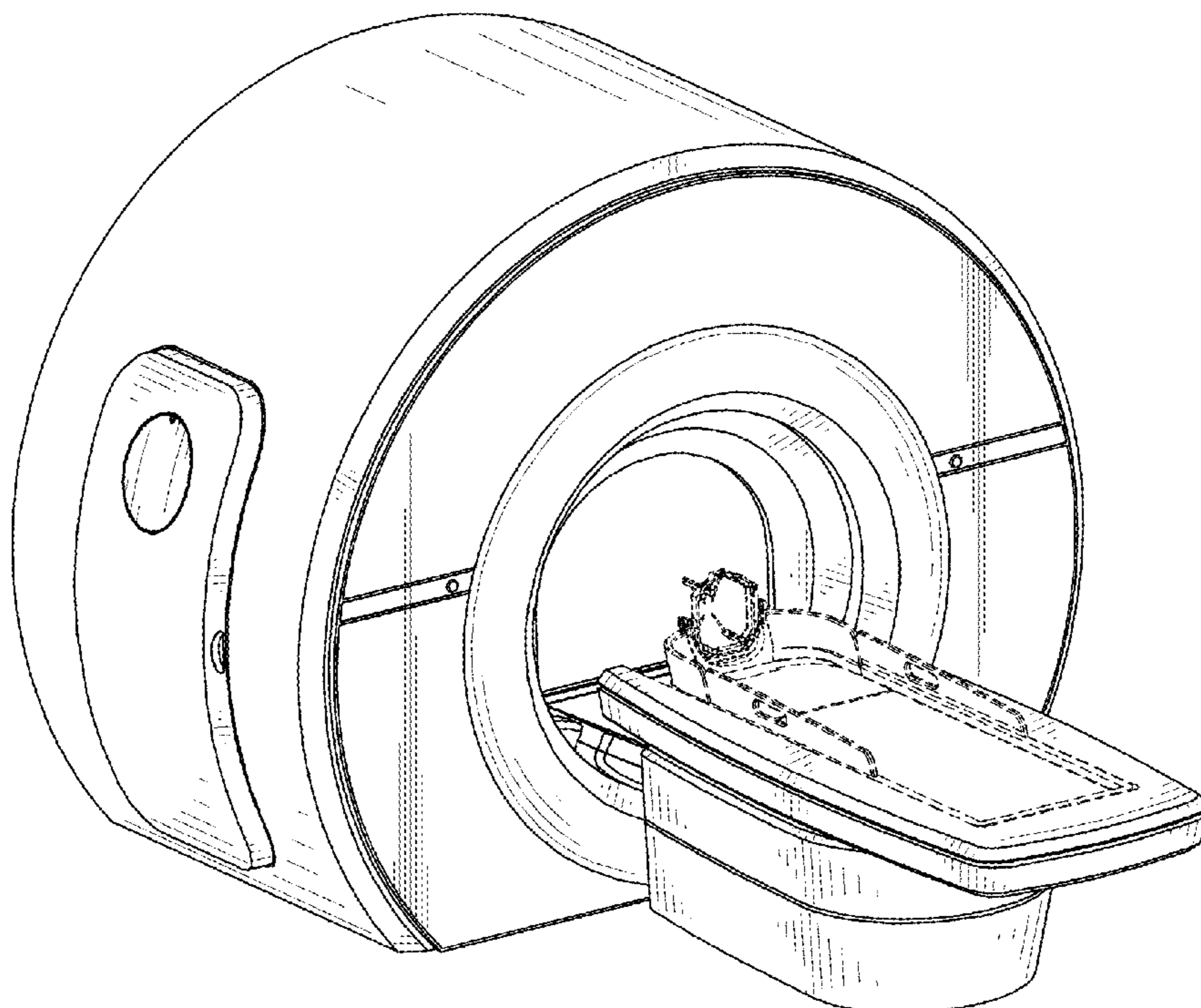
(52) **U.S. Cl.**
USPC **D24/158**; D24/159

FIG. 1 is a front perspective view of a gamma knife showing our new ornamental design;
FIG. 2 front elevational view thereof;
FIG. 3 is a rear elevational view thereof;
FIG. 4 is a left side elevational view thereof;
FIG. 5 is a right side elevational view thereof; and,
FIG. 6 is a top plan view thereof.
The bottom view of the gamma knife is flat and unornamented.
The broken lines form no part of the claimed design.

(58) **Field of Classification Search**
USPC D24/158-161, 185, 186, 107
CPC A61B 6/06; A61B 6/4405; A61B 6/4411;
A61B 6/032; A61B 5/055; G01N 2223/1016;
G01N 2223/301; G01N 23/046; G01N
2223/031; G01N 2223/419; G01R 33/48

See application file for complete search history.

1 Claim, 6 Drawing Sheets



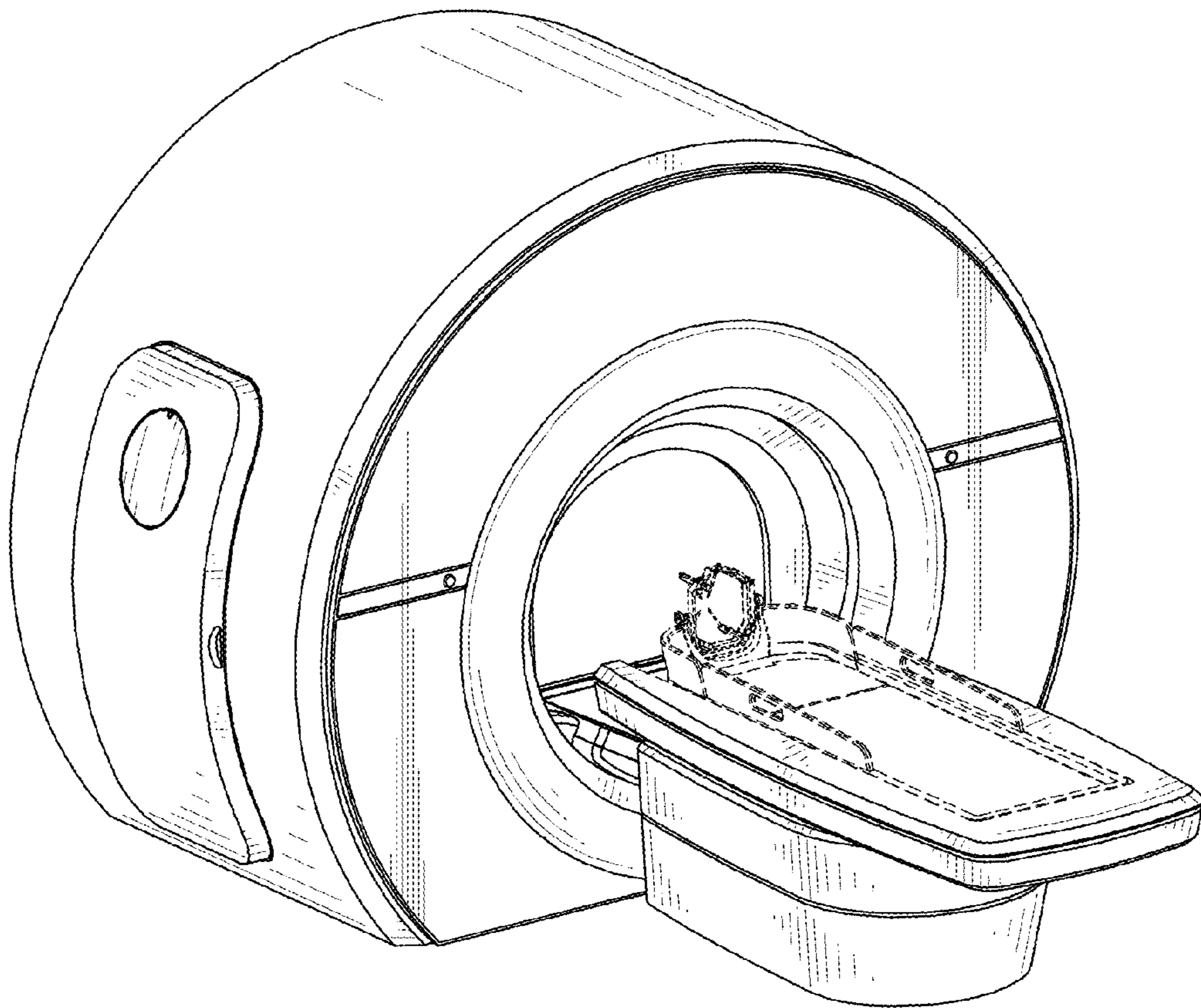


FIG. 1

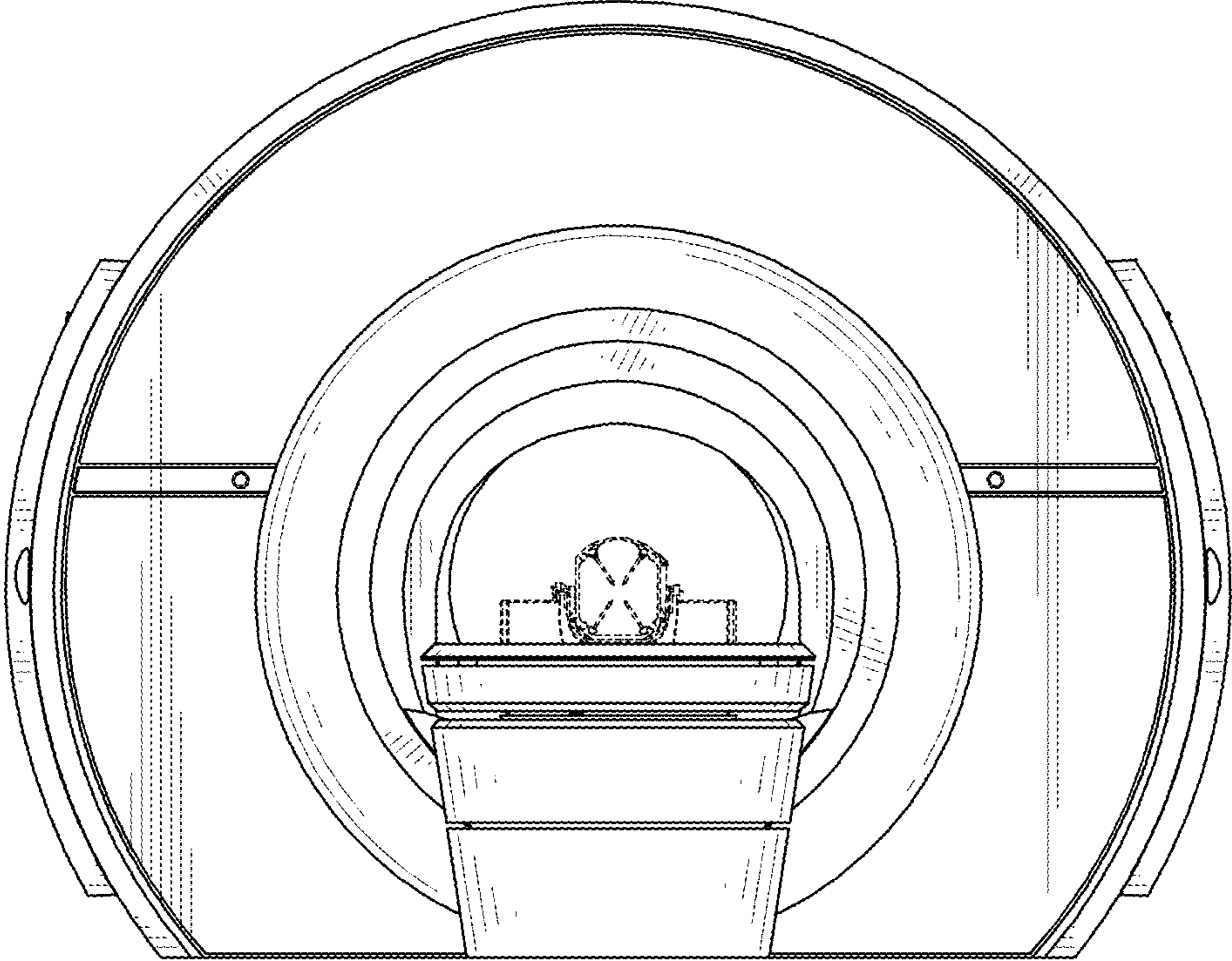


FIG. 2

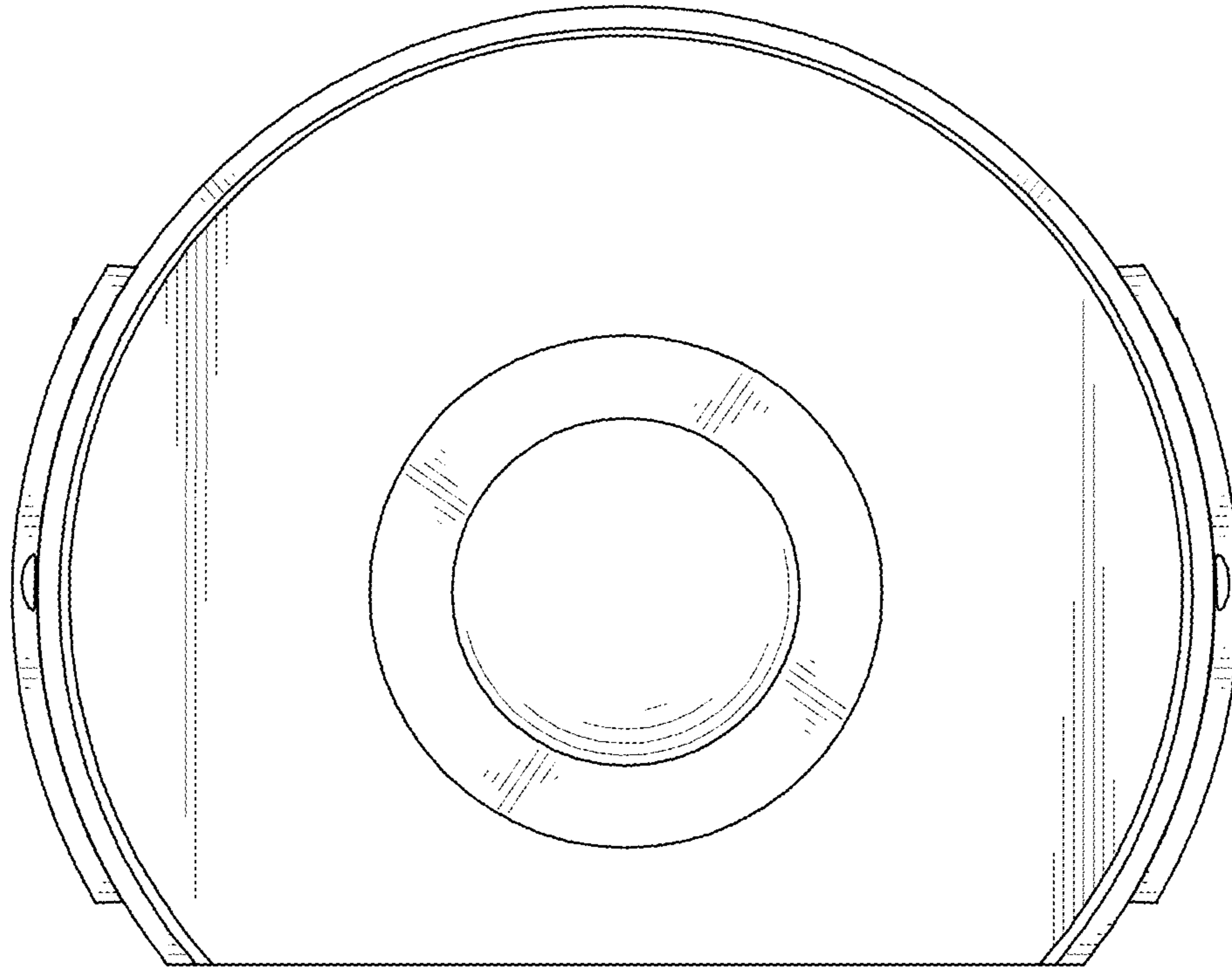


FIG. 3

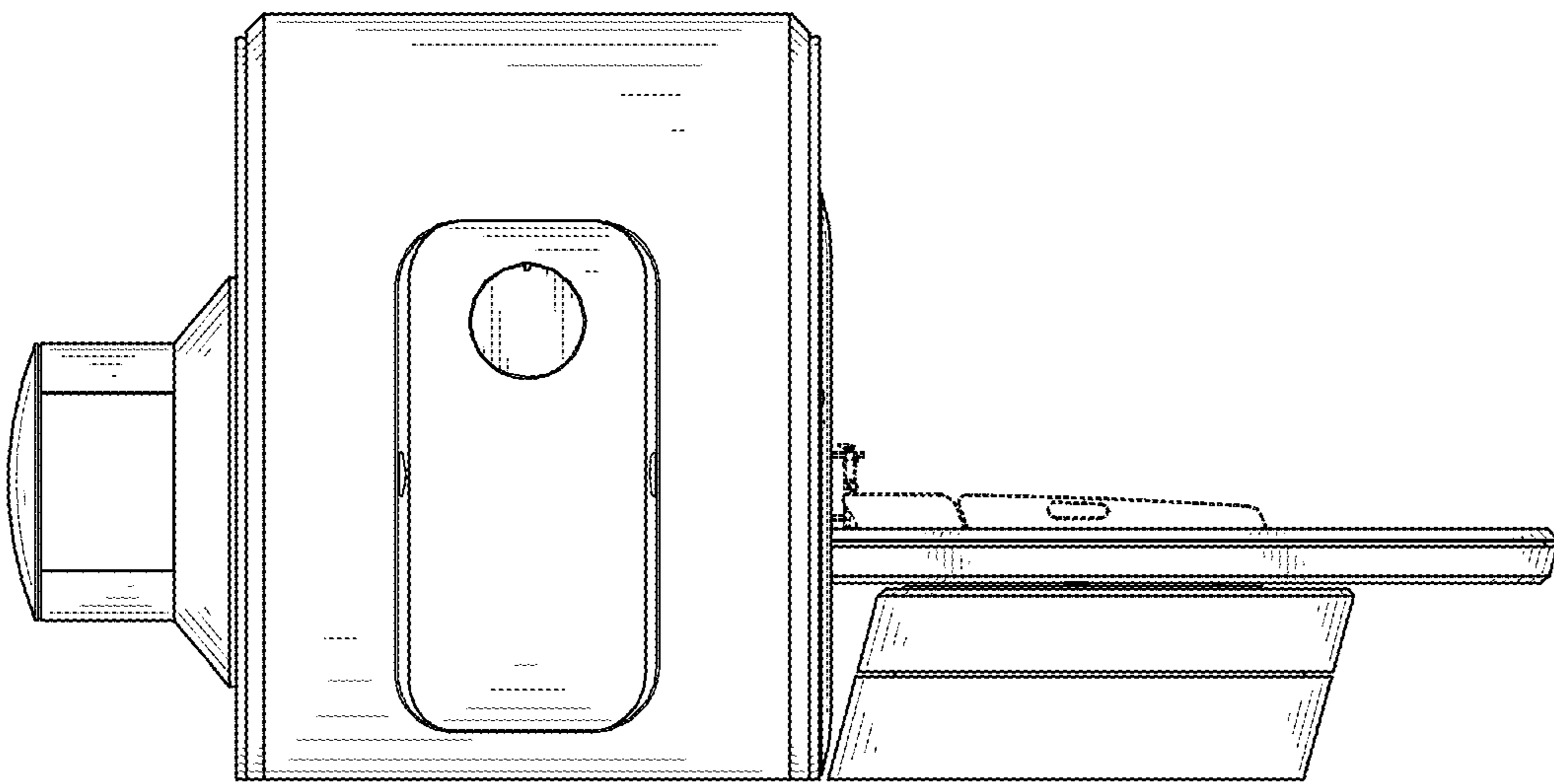


FIG. 4

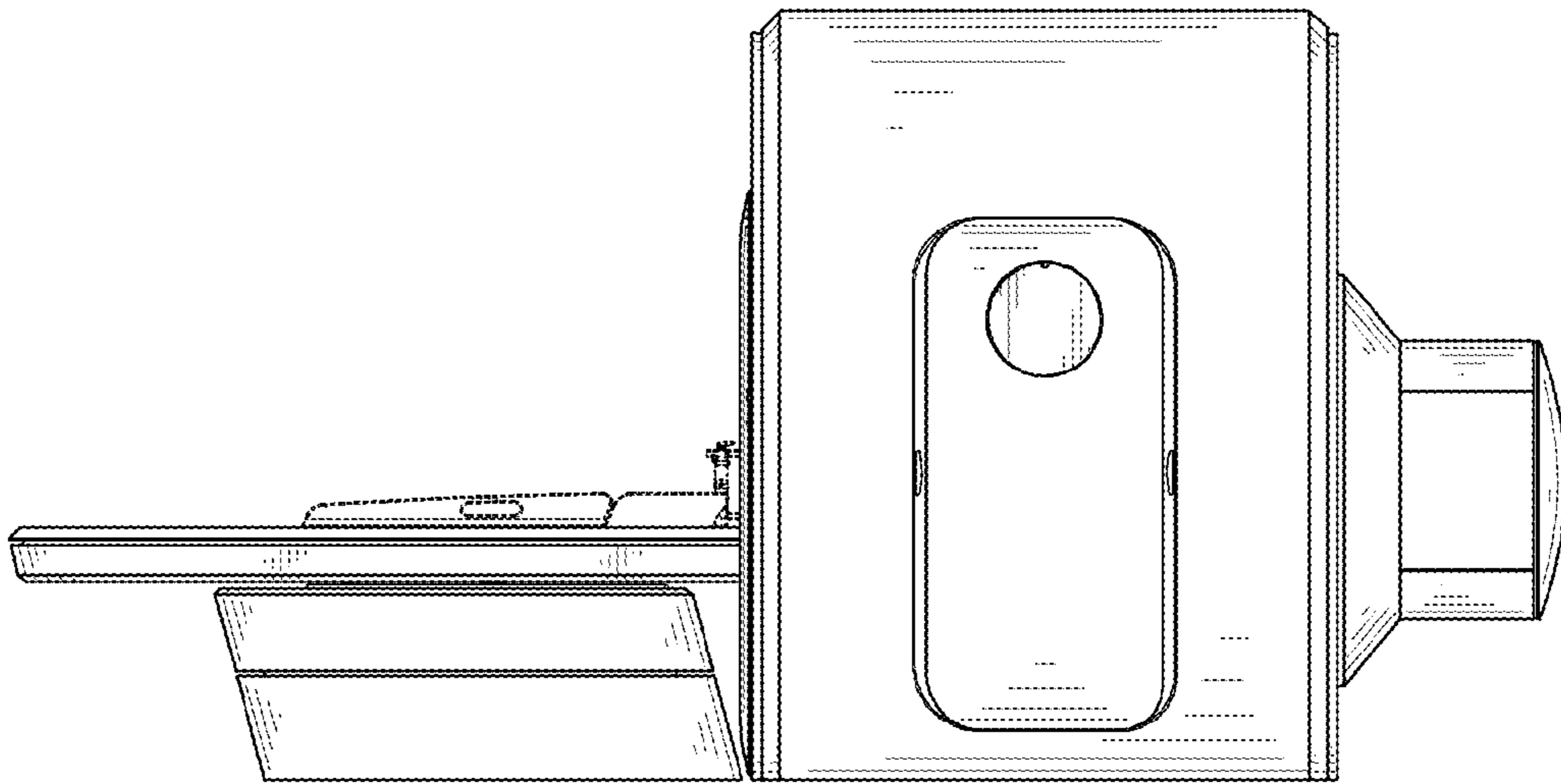


FIG. 5

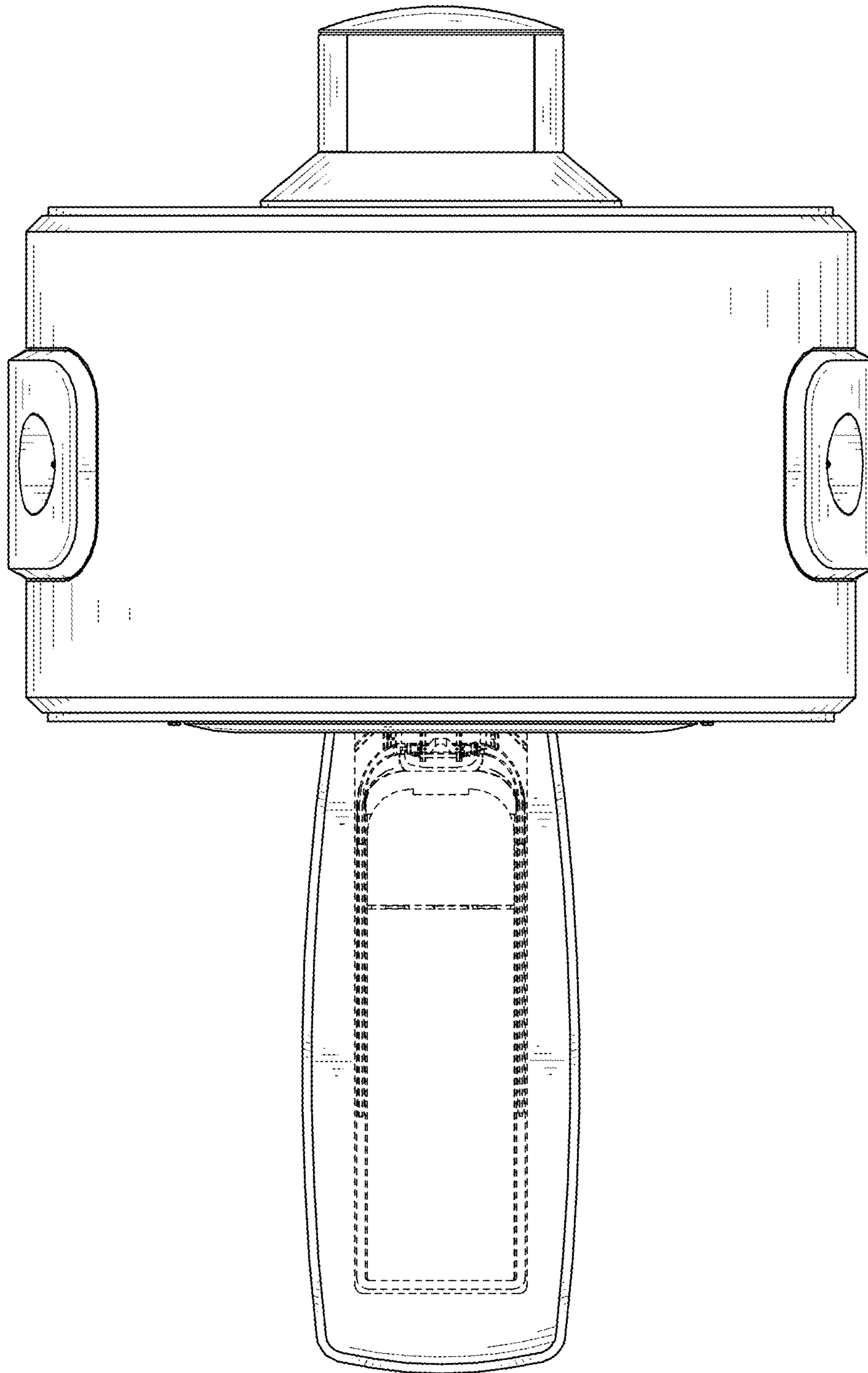


FIG. 6