



US00D750251S

(12) **United States Design Patent**
Grönberg

(10) **Patent No.:** **US D750,251 S**
(45) **Date of Patent:** **** Feb. 23, 2016**

- (54) **ANASTOMOSIS DEVICE**
- (71) Applicant: **CARPO NOVUM AB**, Halmstad (SE)
- (72) Inventor: **Anders Grönberg**, Halmstad (SE)
- (73) Assignee: **Carponovum AB**, Halmstad (SE)
- (**) Term: **14 Years**
- (21) Appl. No.: **29/513,245**
- (22) Filed: **Dec. 29, 2014**

5,503,635	A *	4/1996	Sauer	A61B 17/1114 606/151
6,110,187	A	8/2000	Donlon	
6,290,238	B1	9/2001	Johnson, Jr.	
6,551,334	B2	4/2003	Blatter et al.	
D495,465	S	9/2004	Tepper et al.	
D498,826	S	11/2004	Takahiro et al.	
D514,671	S	2/2006	Jones	
7,241,300	B2	7/2007	Sharkawy et al.	
D556,866	S	12/2007	Darce	
D557,771	S	12/2007	Darce	
D614,272	S	4/2010	Henry et al.	
7,901,417	B2	3/2011	Blatter et al.	
8,034,064	B2	10/2011	Blatter	
D648,427	S	11/2011	Bowman et al.	
8,066,724	B2	11/2011	Golden et al.	
D660,960	S	5/2012	Grönberg	
8,449,563	B2 *	5/2013	Rebuffat	A61B 17/1114 606/153
D687,144	S *	7/2013	Gronberg	D24/127
D687,145	S *	7/2013	Gronberg	D24/129
8,512,361	B2 *	8/2013	Gronberg	A61B 17/11 606/142
8,709,025	B2 *	4/2014	Liu	A61B 17/1114 606/153
D706,909	S	6/2014	van de Klippe et al.	
8,777,971	B2	7/2014	Tulleken et al.	

Related U.S. Application Data

- (62) Division of application No. 29/445,955, filed on Feb. 19, 2013.

Foreign Application Priority Data

- Aug. 20, 2012 (EM) 001340319

- (51) **LOC (10) Cl.** **24-02**

- (52) **U.S. Cl.**
USPC **D24/155; D24/127**

- (58) **Field of Classification Search**
USPC D24/127-129, 133, 143, 145, 155-157;
D8/394-396; D23/233, 235, 249,
D23/259-262, 263-269
CPC A61F 5/445; A61F 5/443; A61F 5/448;
A61F 5/4405; A61F 5/4407; A61B 17/11;
A61B 17/115; A61B 2017/1107
See application file for complete search history.

(56) **References Cited**

U.S. PATENT DOCUMENTS

4,747,407	A *	5/1988	Liu	A61B 17/11 606/153
4,752,024	A	6/1988	Green et al.	
D355,708	S *	2/1995	Caine	D23/260

(Continued)

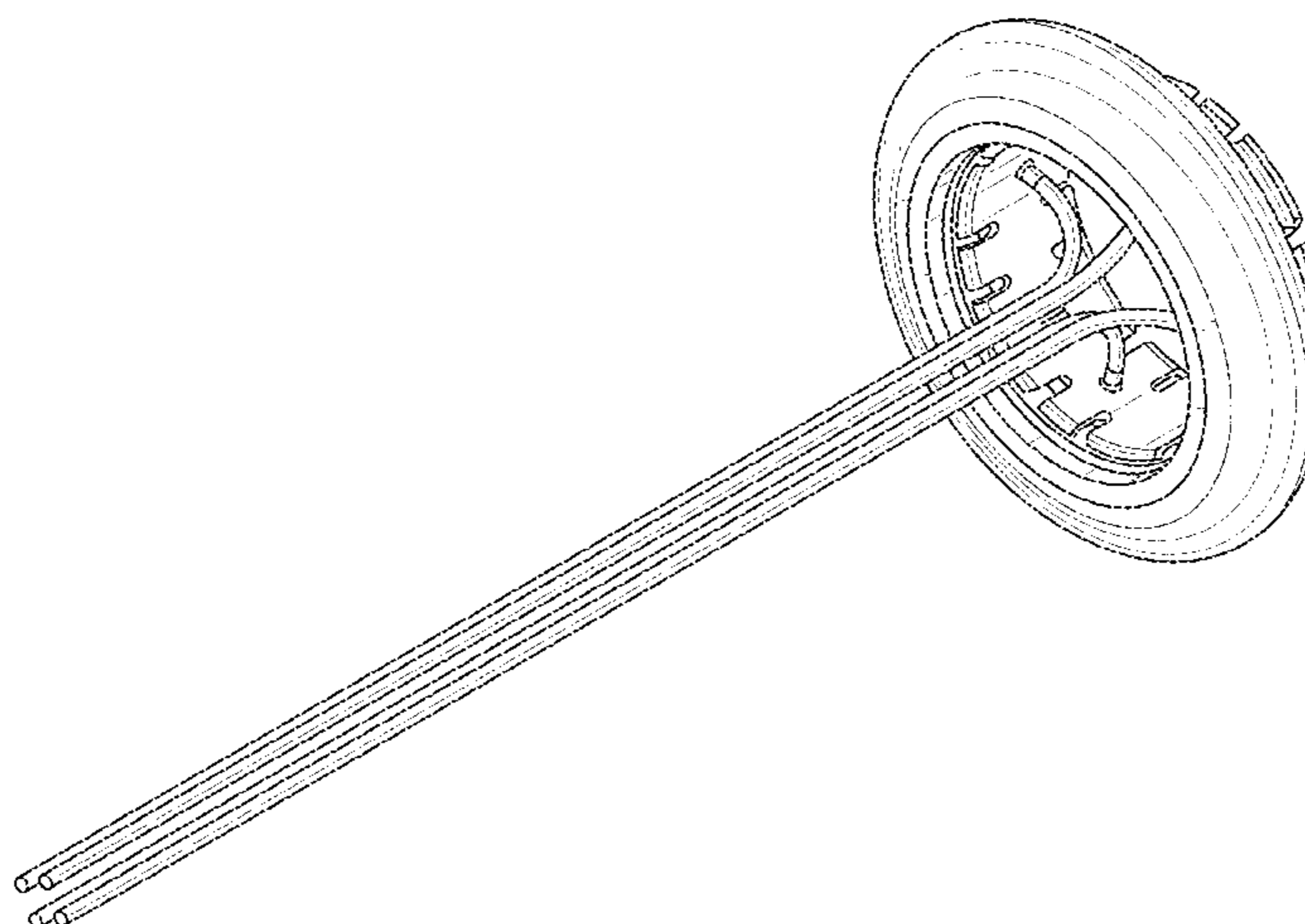
Primary Examiner — Susan Bennett Hattan
Assistant Examiner — Charles Hanson
(74) *Attorney, Agent, or Firm* — Capitol City TechLaw

(57) **CLAIM**
The ornamental design for anastomosis device, as shown.

DESCRIPTION

FIG. 1 is a front view of anastomosis device showing my new design;
FIG. 2 is a left side view thereof;
FIG. 3 is a bottom view thereof;
FIG. 4 is a front perspective view thereof;
FIG. 5 is a rear view thereof; and,
FIG. 6 is a rear perspective view thereof.

1 Claim, 6 Drawing Sheets



(56)

References Cited

U.S. PATENT DOCUMENTS

8,828,032 B2 9/2014 McWeeney et al.
D715,412 S 10/2014 Sgherri
2003/0078597 A1 4/2003 Blatter et al.
2008/0015617 A1 1/2008 Harari et al.
2008/0249546 A1 10/2008 Sandstrom et al.
2009/0012543 A1 1/2009 Kansoul

2009/0138030 A1* 5/2009 Gronberg A61B 17/11
606/153
2009/0234248 A1 9/2009 Zand et al.
2009/0302089 A1 12/2009 Harari et al.
2013/0304100 A1 11/2013 Gronberg et al.
2014/0166719 A1 6/2014 Bettuchi et al.
2014/0324002 A1 10/2014 Luce
2014/0364881 A1 12/2014 Meron et al.
2014/0379011 A1 12/2014 Viola

* cited by examiner

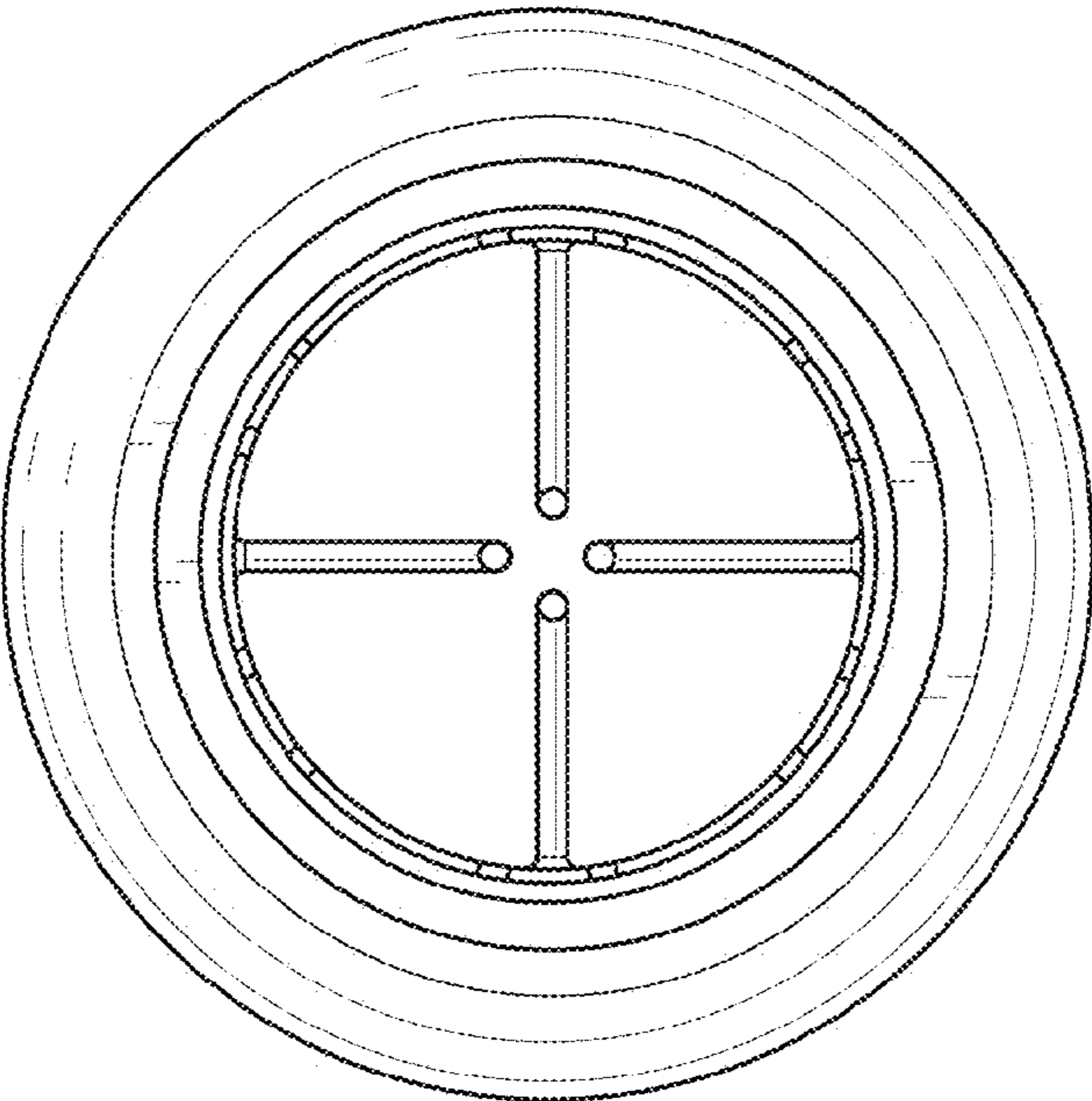


FIG. 1

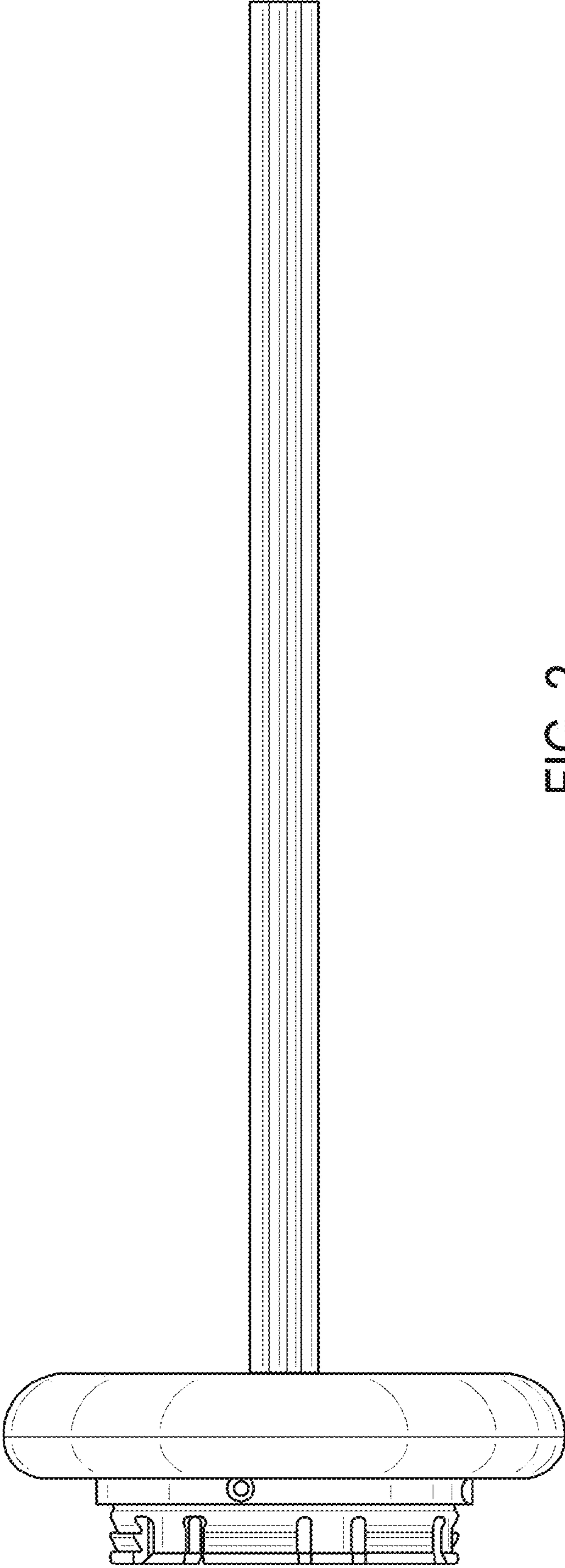


FIG. 2

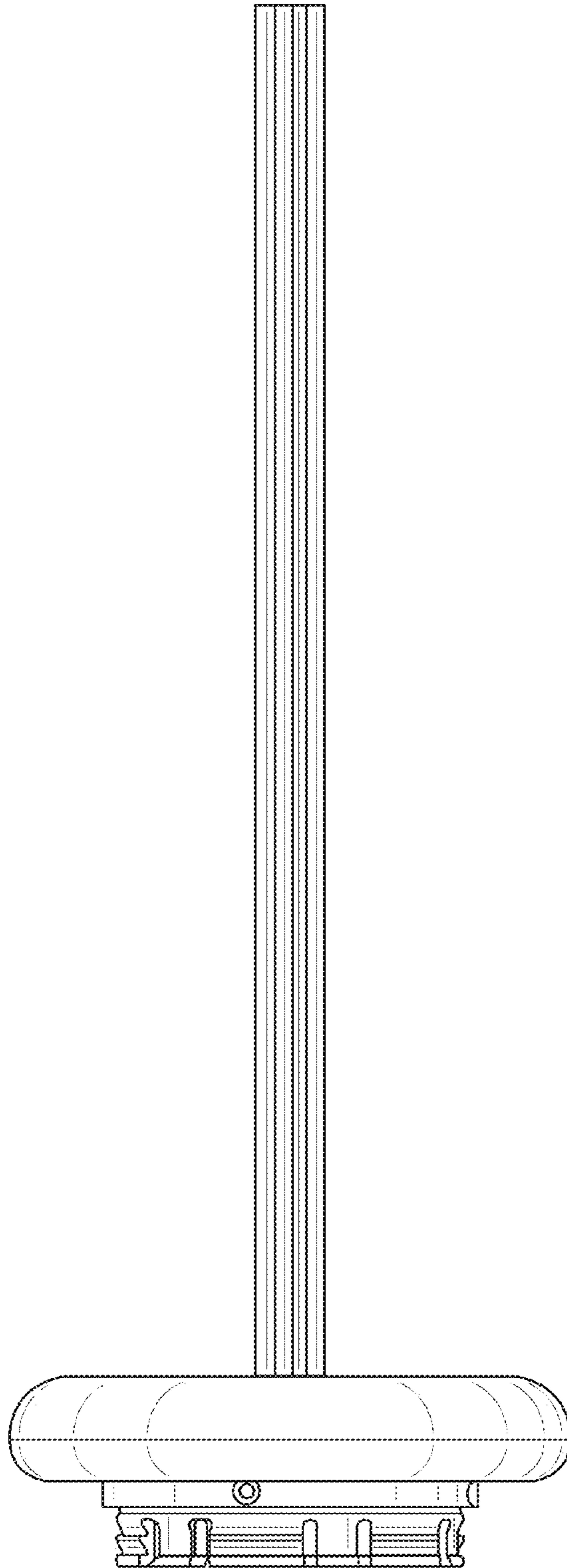


FIG. 3

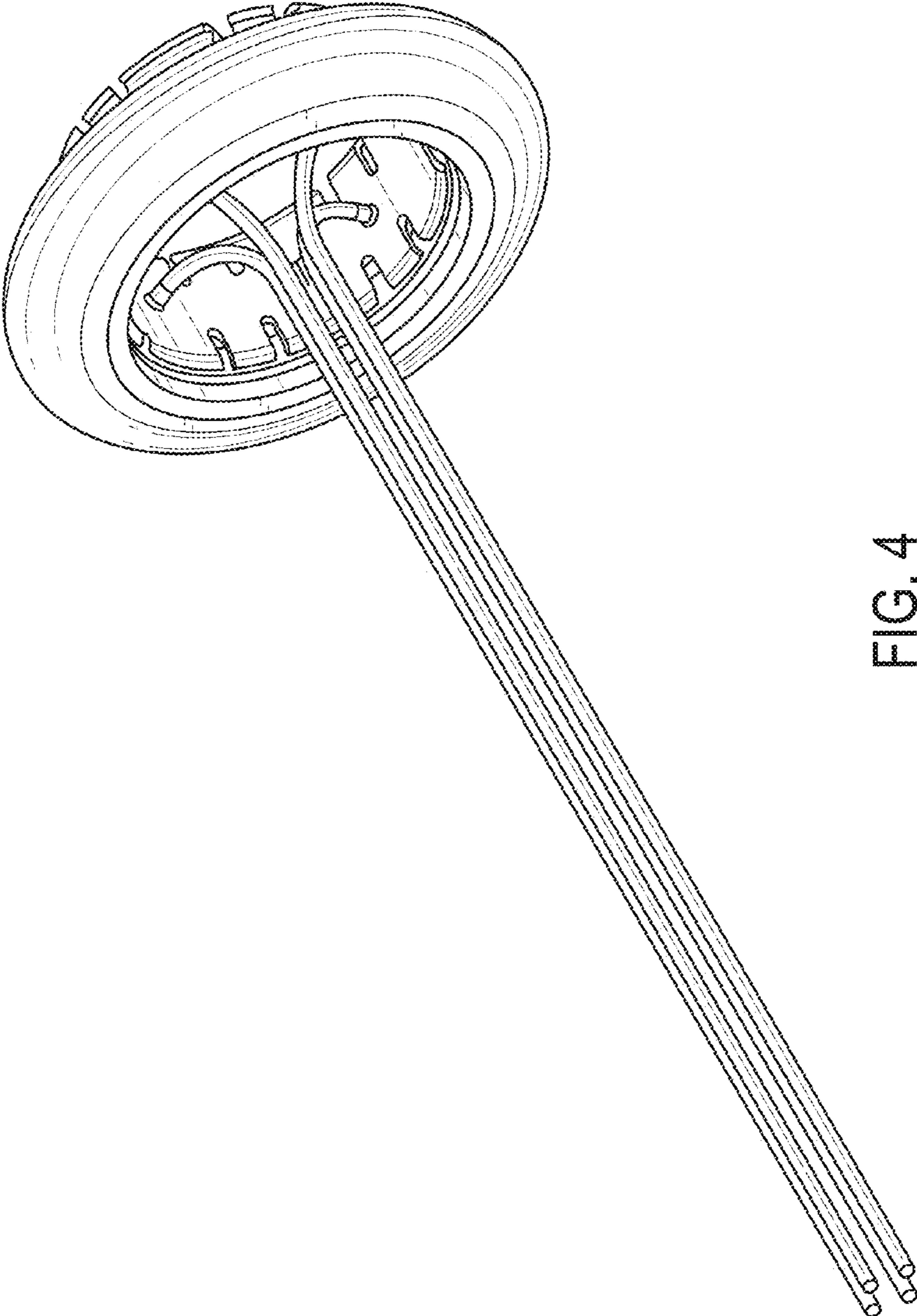


FIG. 4

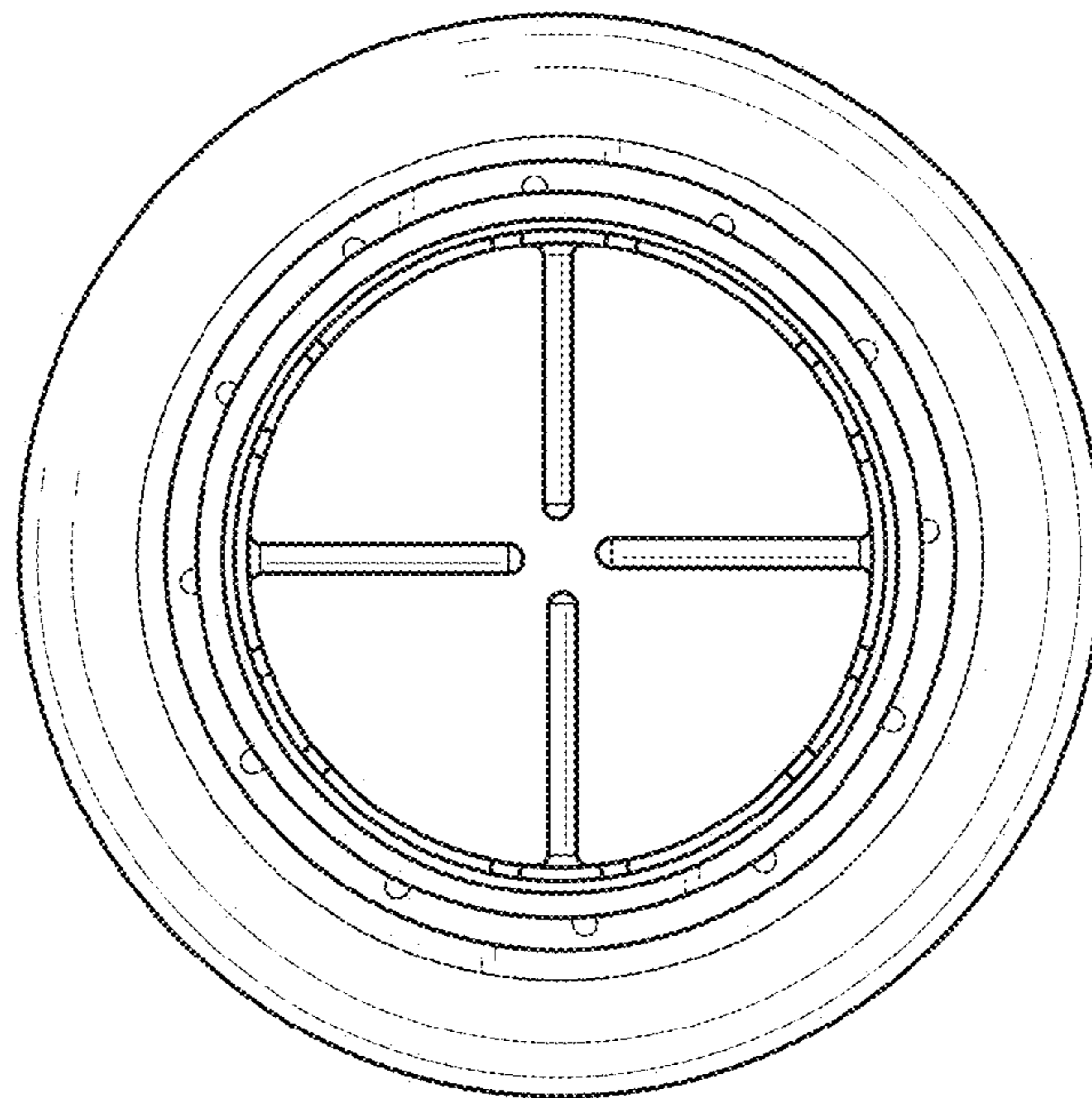


FIG. 5

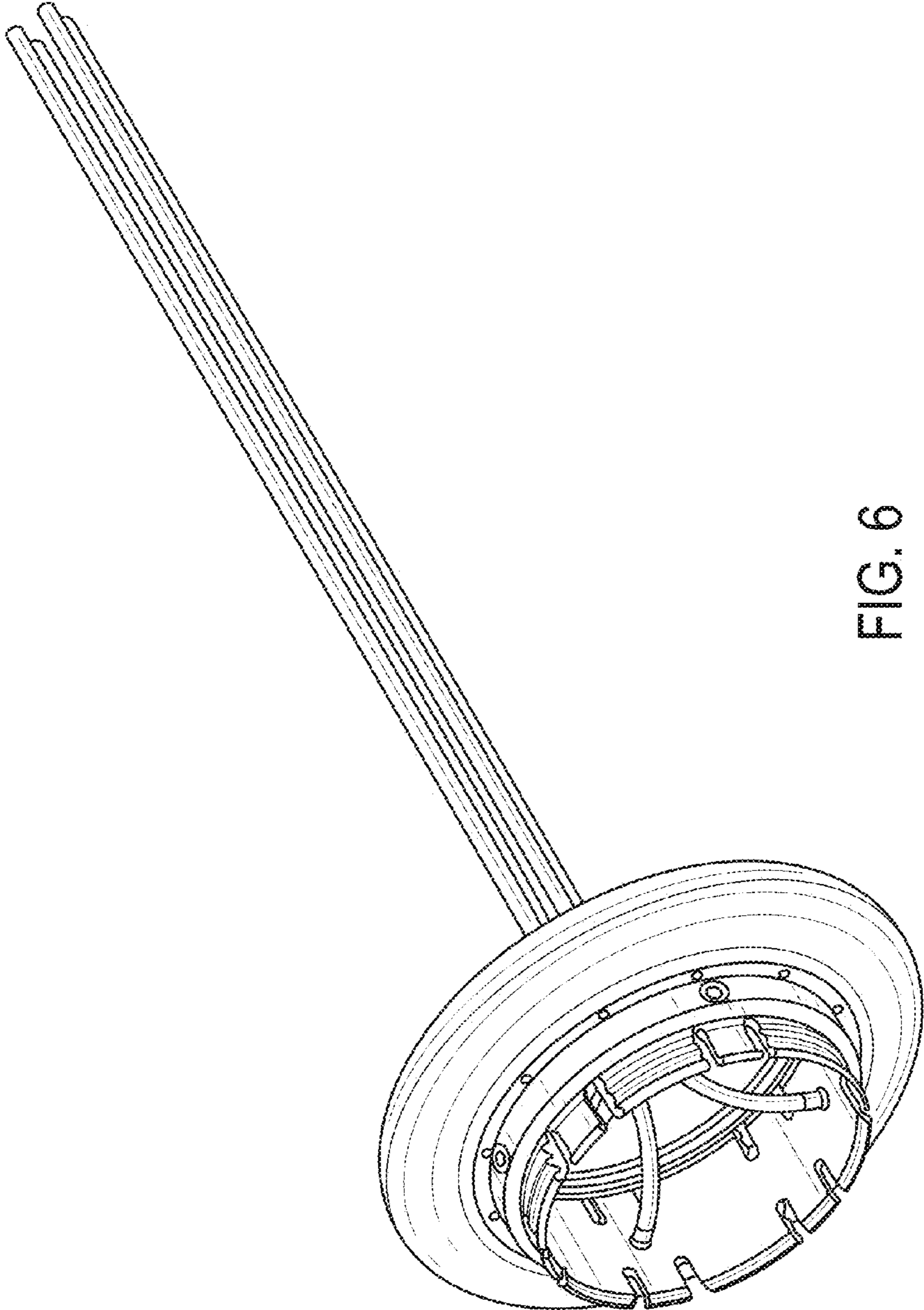


FIG. 6