



US00D750248S

(12) **United States Design Patent**
Ouchouche

(10) **Patent No.:** **US D750,248 S**

(45) **Date of Patent:** **** Feb. 23, 2016**

(54) **APPARATUS FOR STIMULATION OF THE NERVOUS SYSTEM**

(71) Applicant: **Sapiens Steering Brain Stimulation B.V.**, Eindhoven (NL)

(72) Inventor: **Sébastien Jody Ouchouche**, Waalre (NL)

(73) Assignee: **MEDTRONIC BAKKEN RESEARCH CENTER B.V.**, Maastricht (NL)

(**) Term: **14 Years**

(21) Appl. No.: **29/469,071**

(22) Filed: **Oct. 7, 2013**

(30) **Foreign Application Priority Data**

Apr. 8, 2013	(EM)	002216432-0001
Apr. 8, 2013	(EM)	002216432-0002
Apr. 8, 2013	(EM)	002216432-0003
Apr. 8, 2013	(EM)	002216432-0004
Apr. 8, 2013	(EM)	002216432-0005

(51) **LOC (10) Cl.** **24-02**

(52) **U.S. Cl.**
USPC **D24/155**

(58) **Field of Classification Search**
USPC D24/155-157
CPC . A61N 1/0534; A61N 1/0529; A61N 1/0531;
A61N 1/05; A61N 1/3605; A61B 5/04001;
A61B 2562/0209

See application file for complete search history.

(56) **References Cited**

U.S. PATENT DOCUMENTS

7,857,767	B2 *	12/2010	Ferren et al.	600/481
7,941,202	B2 *	5/2011	Hetke et al.	600/377
7,998,060	B2 *	8/2011	Ferren et al.	600/114
2008/0033569	A1 *	2/2008	Ferren et al.	623/23.7
2009/0131737	A1 *	5/2009	Ferren et al.	600/12
2010/0100152	A1 *	4/2010	Martens et al.	607/45
2011/0301665	A1 *	12/2011	Mercanzini et al.	607/45
2013/0030352	A1 *	1/2013	Seymour et al.	604/20
2013/0085361	A1 *	4/2013	Mercanzini et al.	600/377
2013/0085398	A1 *	4/2013	Roukes	600/478
2013/0282090	A1 *	10/2013	Decre et al.	607/116
2014/0172058	A1 *	6/2014	Elahi et al.	607/116
2014/0343621	A1 *	11/2014	Decre et al.	607/45

* cited by examiner

Primary Examiner — Susan Bennett Hattan

Assistant Examiner — Charles Hanson

(74) *Attorney, Agent, or Firm* — Shumaker & Sieffert, P.A.

(57) **CLAIM**

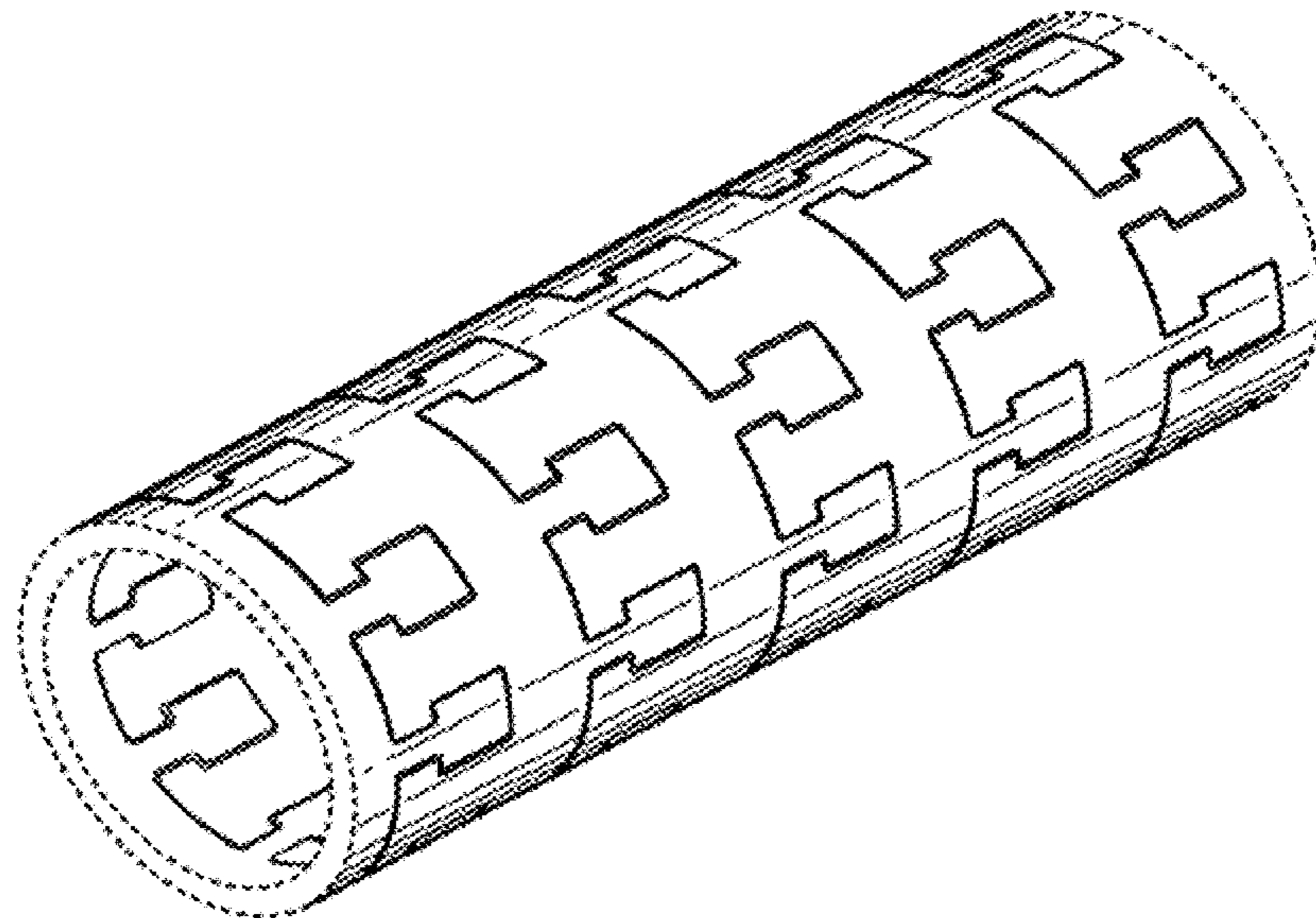
The ornamental design for an apparatus for stimulation of the nervous system, as shown and described.

DESCRIPTION

FIG. 1 is a perspective view of an apparatus for stimulation of the nervous system in accordance with my new design; FIG. 2 is a front elevational view of the apparatus for stimulation of the nervous system shown in FIG. 1, the rear, left side and right side views being the same; and, FIG. 3 is a top plan view of the apparatus for stimulation of the nervous system shown in FIG. 1, the bottom plan view being the same.

The broken lines shown in the drawings represent portions of the apparatus for stimulation of the nervous system that form no part of the claimed design.

1 Claim, 2 Drawing Sheets



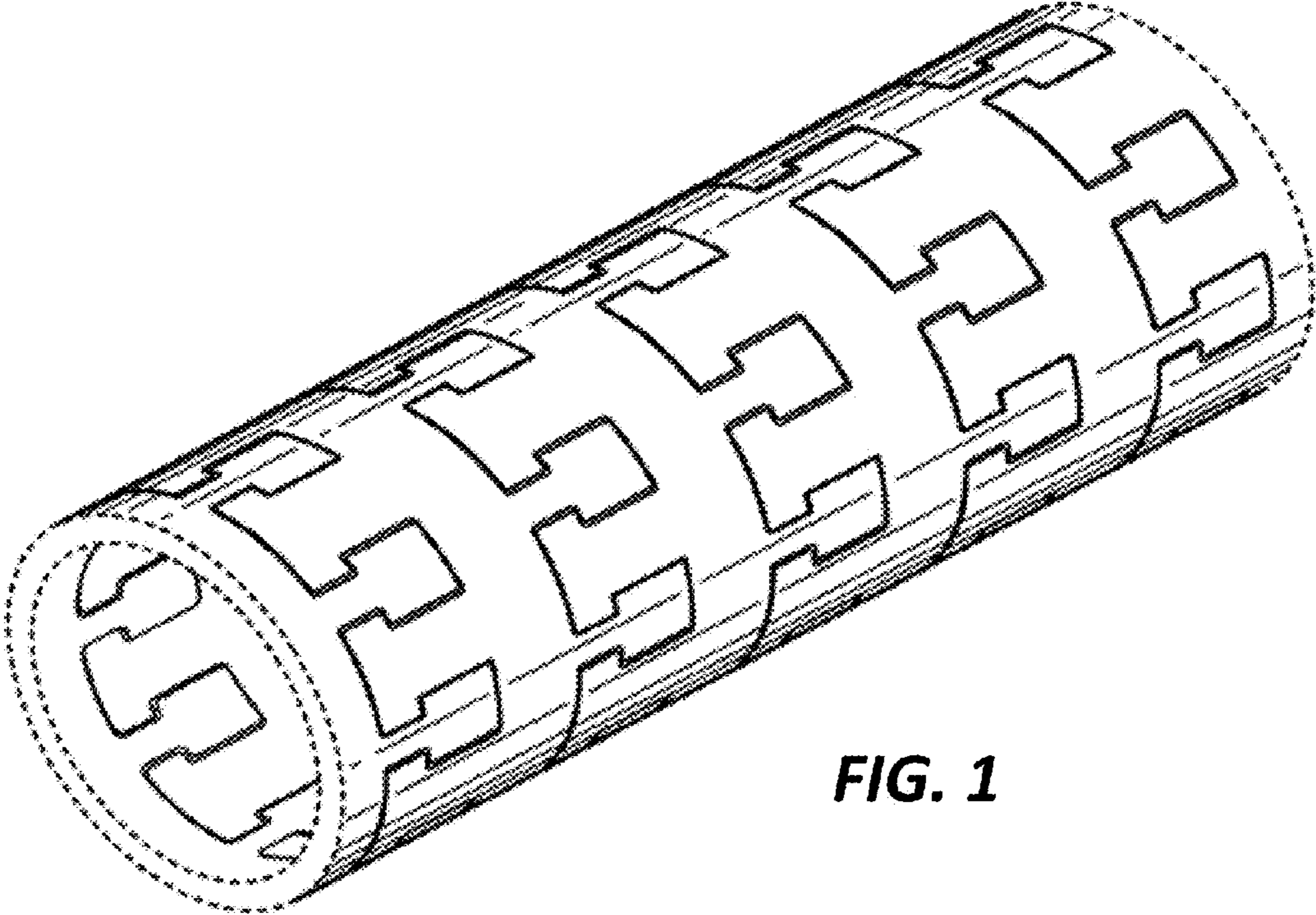


FIG. 1

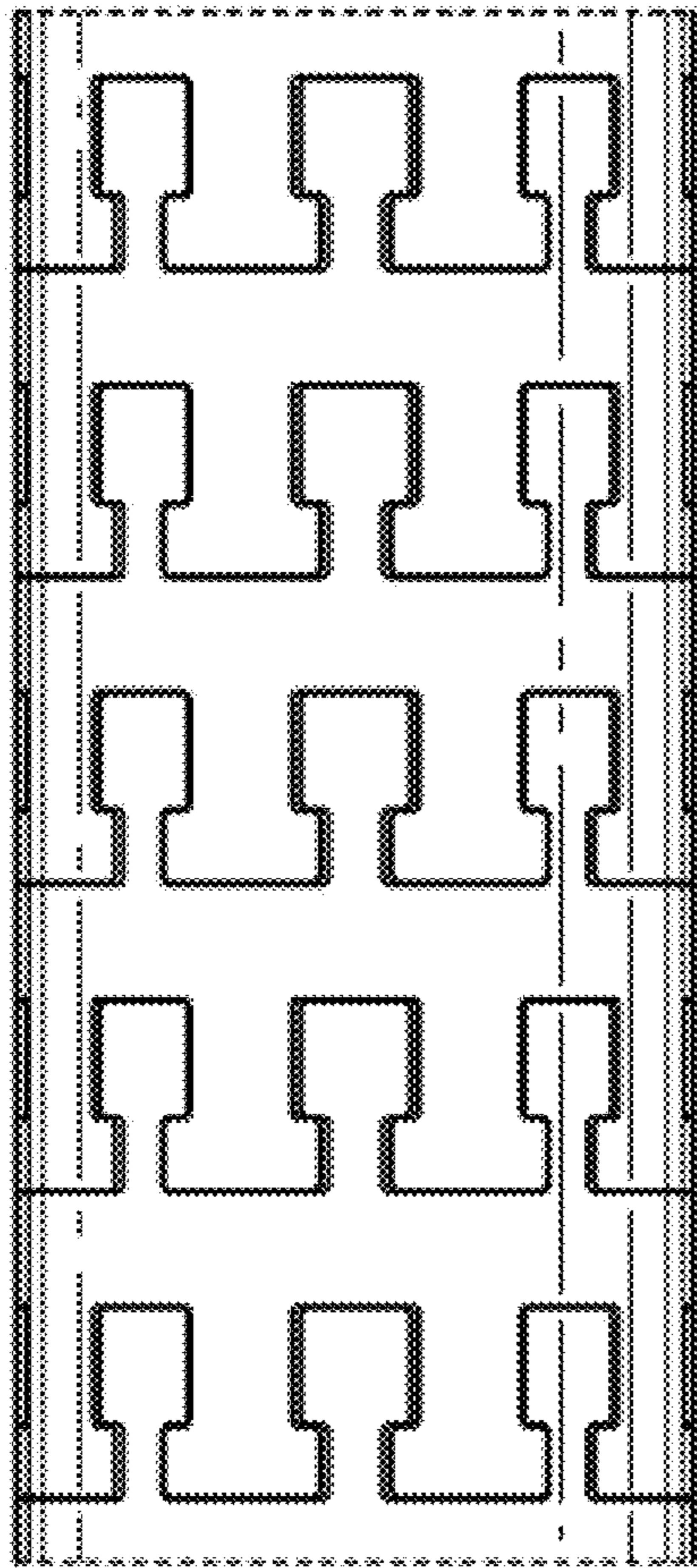


FIG. 2

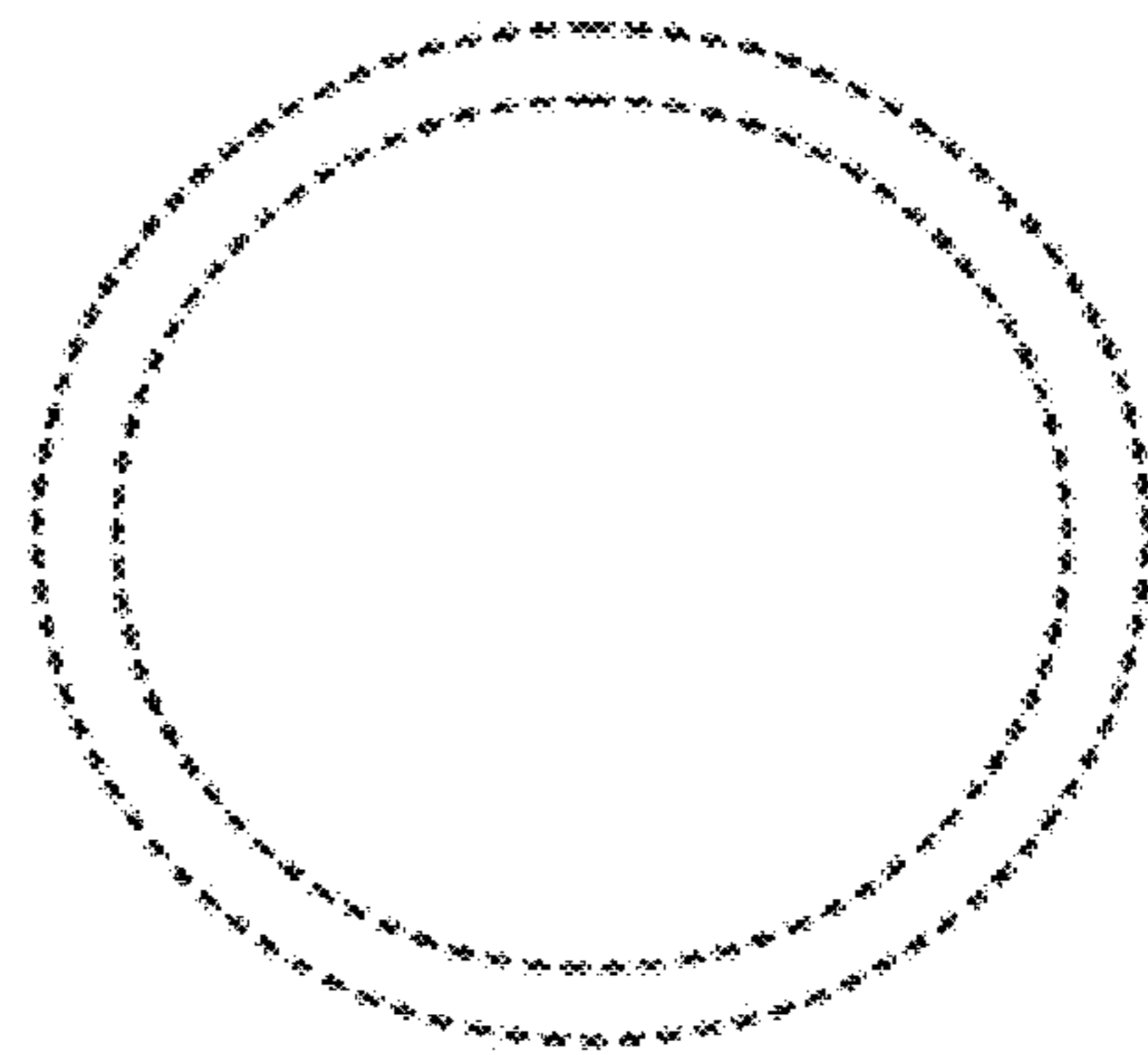


FIG. 3