



US00D750245S

(12) **United States Design Patent**  
**Chang et al.**

(10) **Patent No.:** **US D750,245 S**  
(45) **Date of Patent:** **\*\* Feb. 23, 2016**

(54) **HANDLE FOR LAPAROSCOPIC DEVICE WITH INTEGRAL ROTATION WHEEL**

(75) Inventors: **Shu Kuen Chang**, Evanston, IL (US);  
**Stephan Merkle**, Chicago, IL (US);  
**Subrat K. Samantray**, Khandagiri (IN);  
**Grant T. Sims**, Littleton, CO (US); **Sean T. O'Neill**, Campbell, CA (US)

(73) Assignee: **Covidien LP**, Mansfield, MA (US)

(\*\*) Term: **14 Years**

(21) Appl. No.: **29/415,261**

(22) Filed: **Mar. 8, 2012**

(51) **LOC (10) Cl.** ..... **24-02**

(52) **U.S. Cl.**  
USPC ..... **D24/148**

(58) **Field of Classification Search**  
USPC ..... D24/143-148, 133; 606/143, 41,  
606/45-46, 51, 52, 170, 205-208  
CPC ..... A61B 2017/0023; A61B 2017/00234;  
A61B 2017/00243; A61B 2017/00261; A61B  
2017/00265

See application file for complete search history.

(56) **References Cited**

**U.S. PATENT DOCUMENTS**

D499,181	S	*	11/2004	Dycus et al.	.....	D24/144
D531,311	S	*	10/2006	Guerra et al.	.....	D24/146
D535,027	S	*	1/2007	James et al.	.....	D24/148
D535,746	S	*	1/2007	Grove et al.	.....	D24/144
D541,418	S	*	4/2007	Schechter et al.	.....	D24/148
D575,401	S	*	8/2008	Hixson et al.	.....	D24/144
D619,253	S	*	7/2010	Way et al.	.....	D24/147
D620,593	S	*	7/2010	Tran et al.	.....	D24/144
D628,290	S	*	11/2010	Romero	.....	D24/133
7,875,029	B1	*	1/2011	Hausen	.....	606/52
D661,803	S	*	6/2012	Price et al.	.....	D24/145
8,262,655	B2	*	9/2012	Ghabrial et al.	.....	606/51
D668,337	S	*	10/2012	Schurg	.....	D24/144
D687,549	S	*	8/2013	Johnson et al.	.....	D24/133
D700,323	S	*	2/2014	Affonce et al.	.....	D24/144
8,652,135	B2	*	2/2014	Nau, Jr.	.....	606/51

D700,966	S	*	3/2014	O'Leary et al.	.....	D24/146
8,702,704	B2	*	4/2014	Shelton et al.	.....	606/51
8,747,434	B2	*	6/2014	Larson et al.	.....	606/205
D709,194	S	*	7/2014	Miller et al.	.....	D24/143
8,795,276	B2	*	8/2014	Dietz et al.	.....	606/52
8,808,311	B2	*	8/2014	Heinrich et al.	.....	606/142
D716,945	S	*	11/2014	Miller et al.	.....	D24/148
8,888,809	B2	*	11/2014	Davison et al.	.....	606/207
2009/0209957	A1	*	8/2009	Schmaltz et al.	.....	606/41
2010/0076430	A1	*	3/2010	Romero	.....	606/51
2010/0076431	A1	*	3/2010	Allen, IV	.....	606/51
2010/0256635	A1	*	10/2010	McKenna et al.	.....	606/45
2013/0103024	A1	*	4/2013	Monson et al.	.....	606/33

\* cited by examiner

*Primary Examiner* — Ian Simmons

*Assistant Examiner* — Carissa C Fitts

(57) **CLAIM**

The ornamental design for a handle for laparoscopic device with integral rotation wheel, as shown and described.

**DESCRIPTION**

FIG. 1 is a perspective view of a handle for laparoscopic device with integral rotation wheel in accordance with the present design;

FIG. 2 is a left side view of the handle for laparoscopic device with integral rotation wheel of FIG. 1;

FIG. 3 is a right side view of the handle for laparoscopic device with integral rotation wheel of FIG. 1;

FIG. 4 is a front view of the handle for laparoscopic device with integral rotation wheel of FIG. 1;

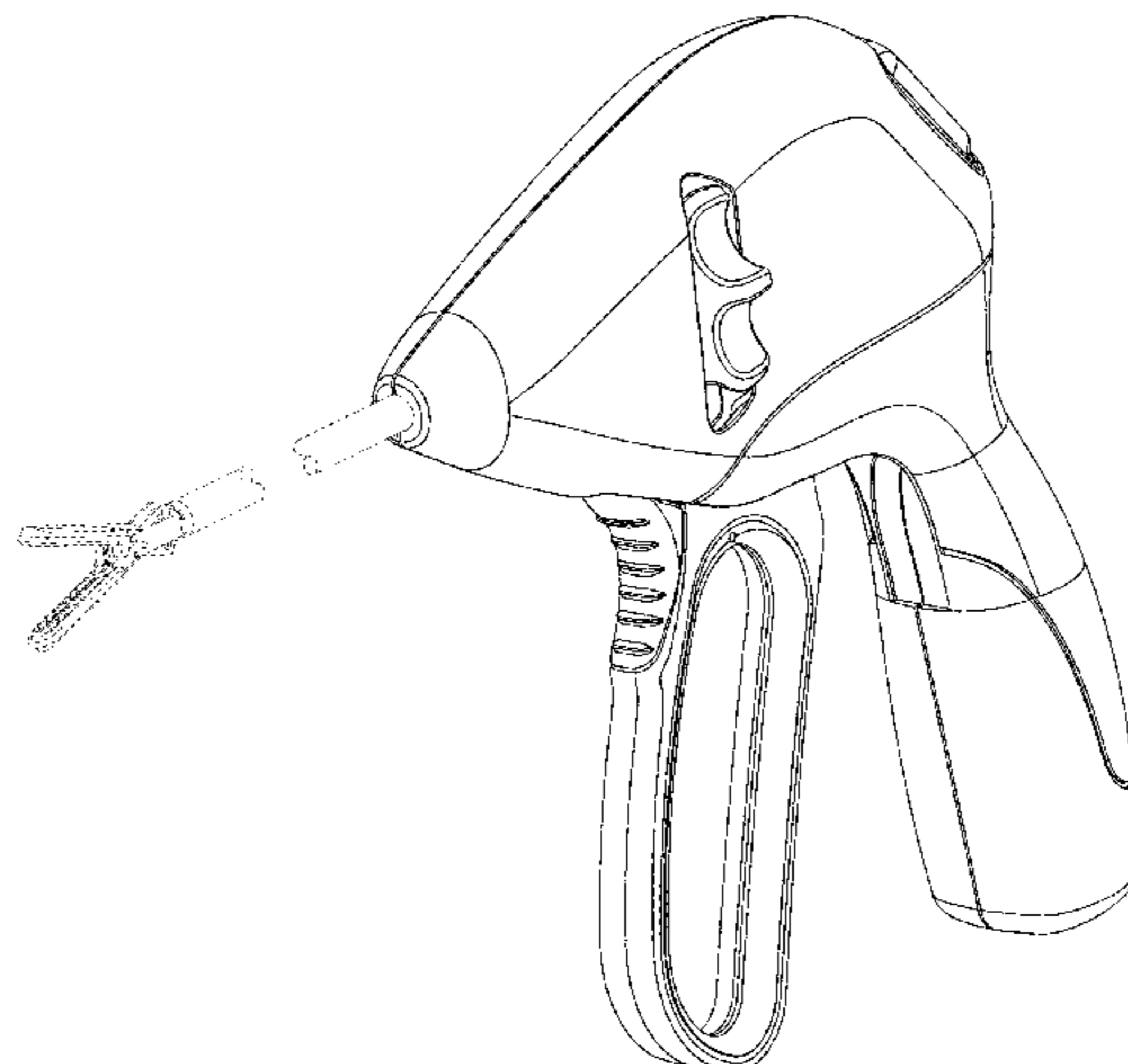
FIG. 5 is a rear view of the handle for laparoscopic device with integral rotation wheel of FIG. 1;

FIG. 6 is a top view of the handle for laparoscopic device with integral rotation wheel of FIG. 1; and,

FIG. 7 is a bottom view of the handle for laparoscopic device with integral rotation wheel of FIG. 1.

In FIGS. 1-7, the features of the handle for laparoscopic device with integral rotation wheel shown in phantom lines are for illustrative purposes only and do not constitute a part of the claimed design.

**1 Claim, 7 Drawing Sheets**



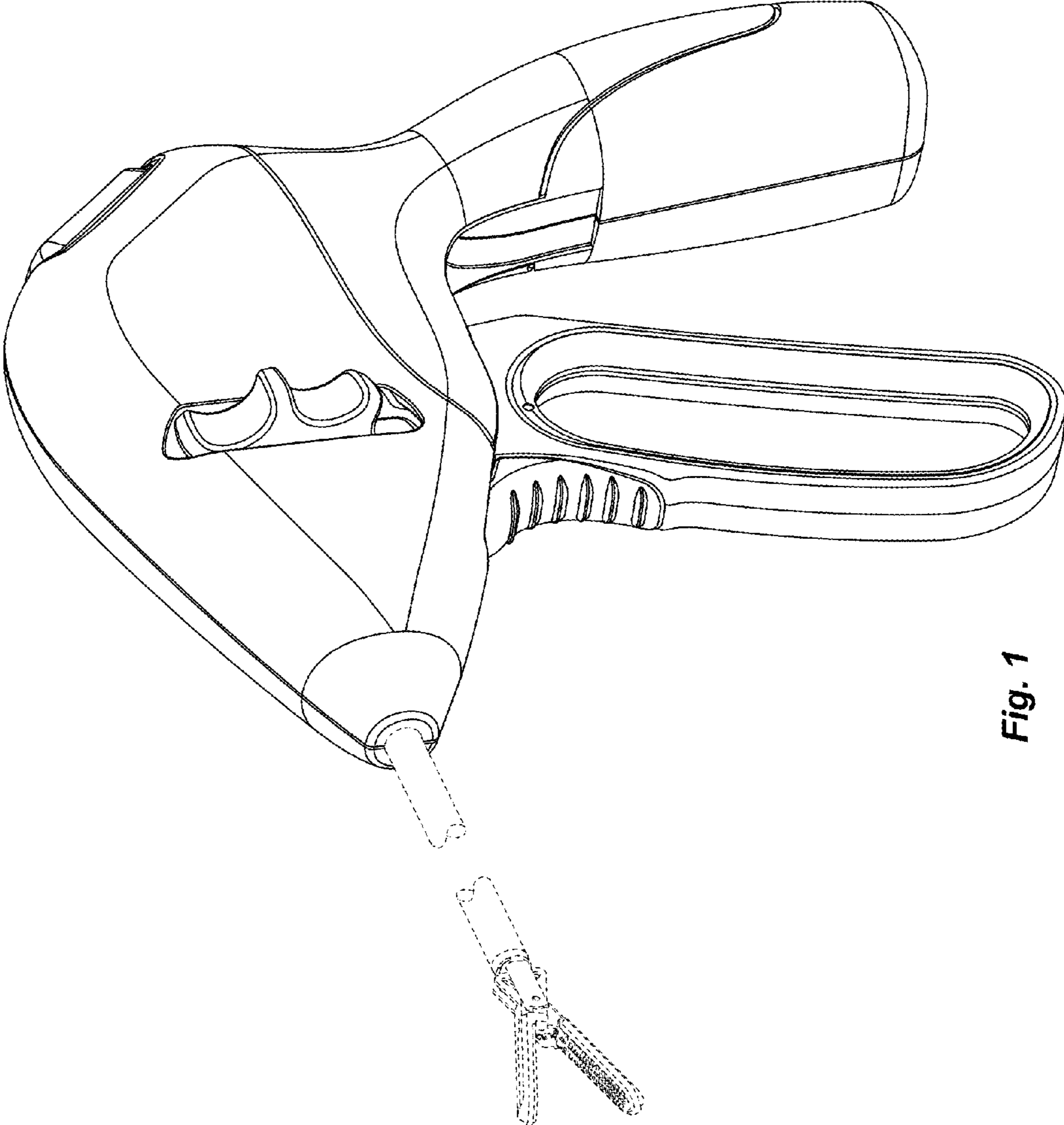


Fig. 1

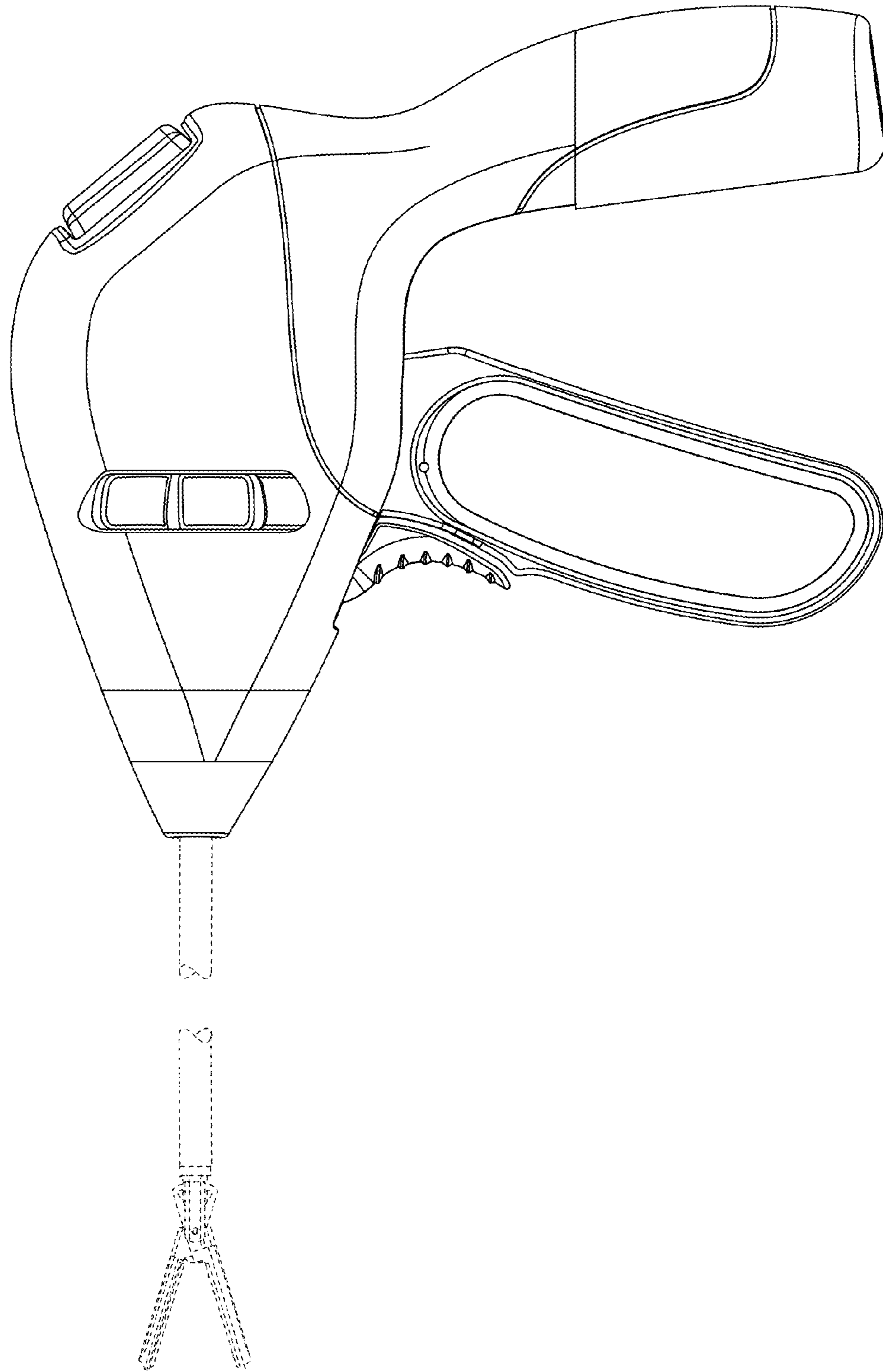


Fig. 2

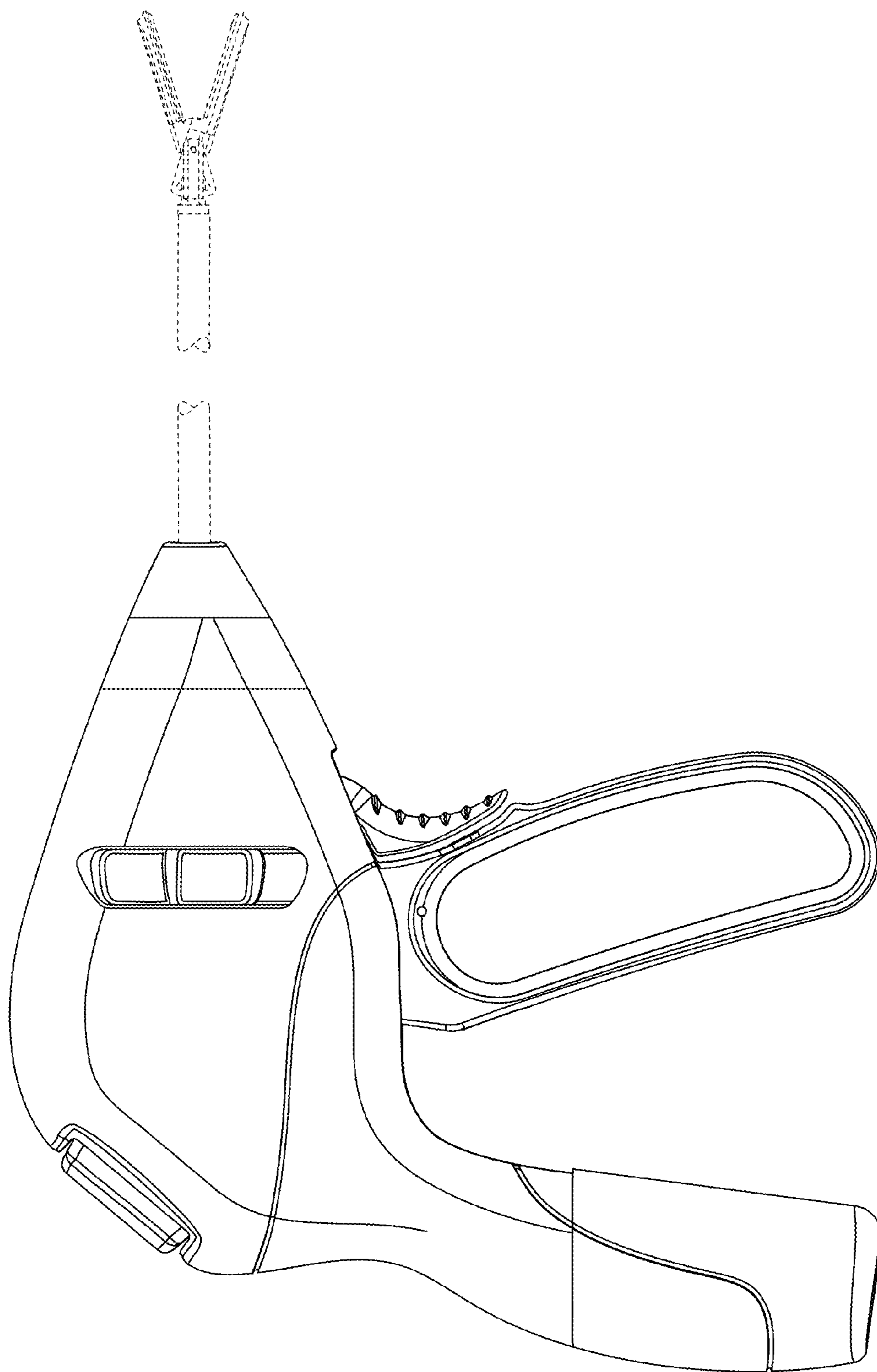
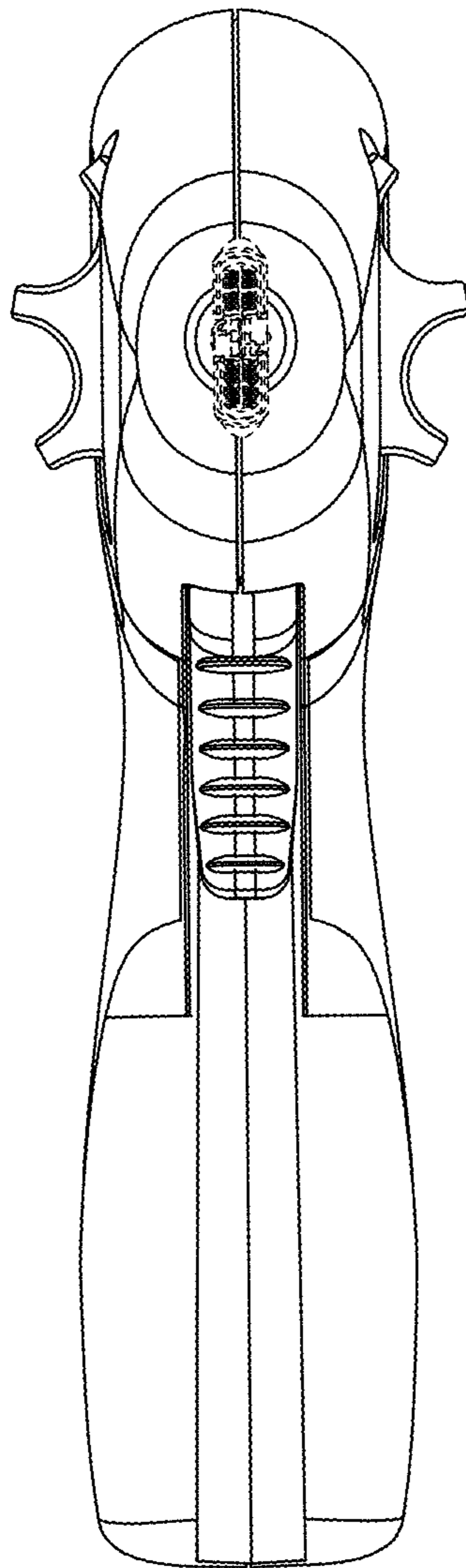
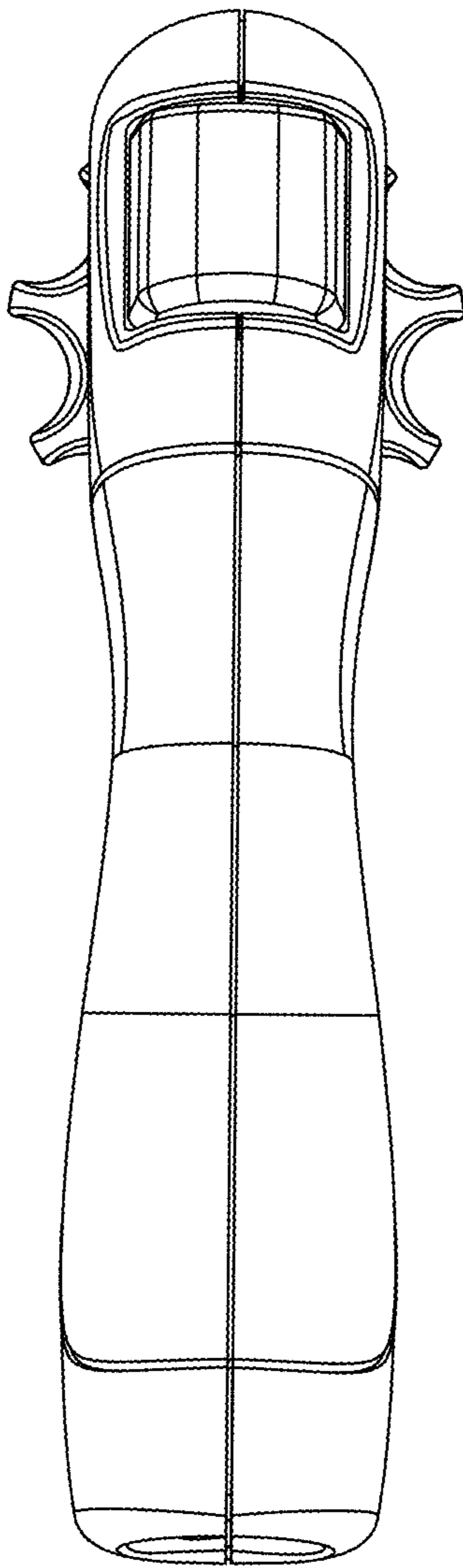


Fig. 3





**Fig. 4**



**Fig. 5**

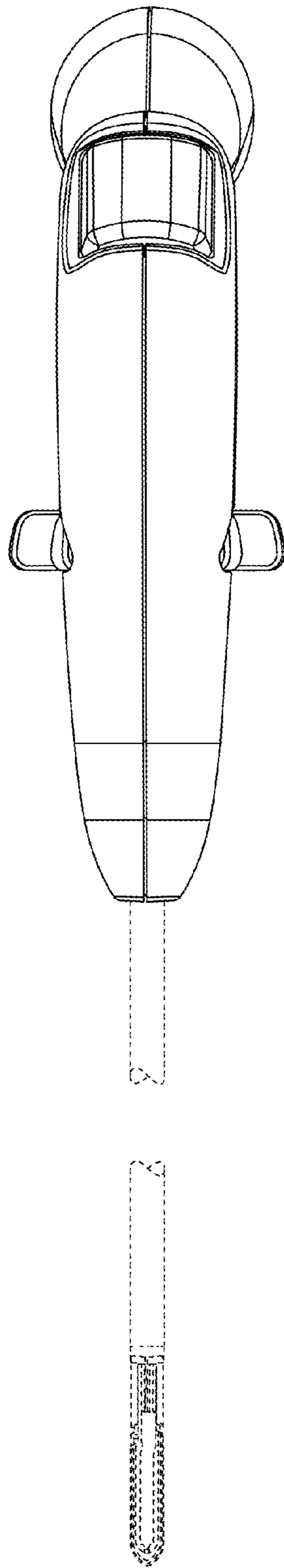
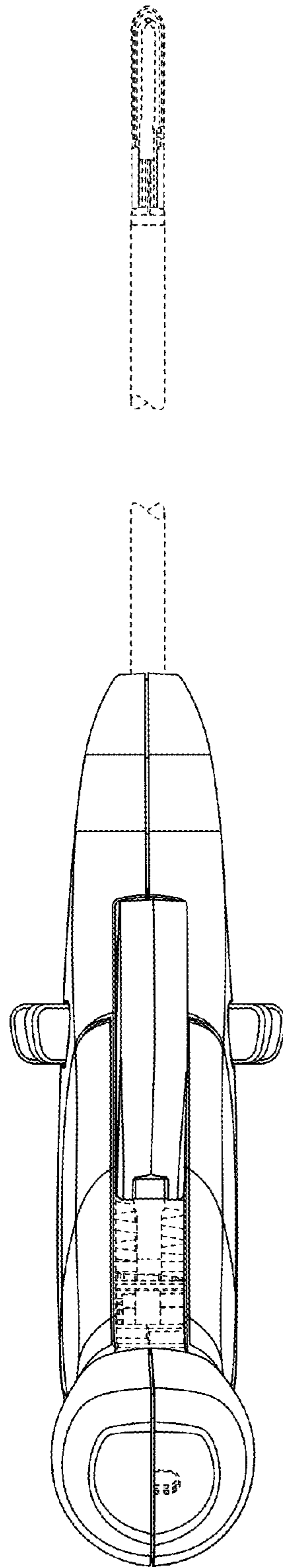


Fig. 6



**Fig. 7**