



US00D750244S

(12) **United States Design Patent**
Osada

(10) **Patent No.:** **US D750,244 S**

(45) **Date of Patent:** **** Feb. 23, 2016**

(54) **SURGICAL DEVICE**

(56) **References Cited**

(71) Applicant: **Olympus Corporation**, Tokyo (JP)

U.S. PATENT DOCUMENTS

(72) Inventor: **Reisuke Osada**, Hino (JP)

D281,624 S *	12/1985	Babini	D24/133
D533,942 S *	12/2006	Kerr et al.	D24/144
D557,415 S *	12/2007	Bacher	D24/133
D562,450 S *	2/2008	Wehrstein et al.	D24/133
D631,961 S *	2/2011	Held	D24/133
D644,736 S *	9/2011	Fisher	D24/148
D670,808 S *	11/2012	Moua et al.	D24/144
8,551,077 B2 *	10/2013	Main et al.	606/1
8,652,132 B2 *	2/2014	Tsuchiya et al.	606/41
D724,732 S *	3/2015	Kimball et al.	D24/144
2010/0331873 A1 *	12/2010	Dannaher et al.	606/169
2014/0207163 A1 *	7/2014	Eichmann et al.	606/167
2015/0080925 A1 *	3/2015	Schulte et al.	606/169

(73) Assignee: **OLYMPUS CORPORATION**, Tokyo (JP)

(**) Term: **14 Years**

(21) Appl. No.: **29/492,649**

(22) Filed: **Jun. 2, 2014**

* cited by examiner

(30) **Foreign Application Priority Data**

Dec. 5, 2013 (JP) 2013-028577

(51) **LOC (10) Cl.** **24-02**

(52) **U.S. Cl.**
USPC **D24/145**

(58) **Field of Classification Search**
USPC D24/145, 133, 143, 144, 147-149;
606/1, 39-40, 45, 48-52, 104, 131,
606/139-140, 142, 144, 145, 148, 167,
606/169-171, 180, 205-208, 213, 216
CPC A61B 17/2841; A61B 17/1606; A61B
17/320068; A61B 17/0469; A61B 17/0625;
A61B 17/0482; A61B 17/29; A61B
2017/06042; A61B 17/320092; A61B 17/162;
A61B 2017/320072; A61B 2017/00424;
A61B 2017/00477; A61B 2017/2825; A61B
17/8875

See application file for complete search history.

Primary Examiner — Wan Laymon

Assistant Examiner — Mark Booker

(74) *Attorney, Agent, or Firm* — Oliff PLC

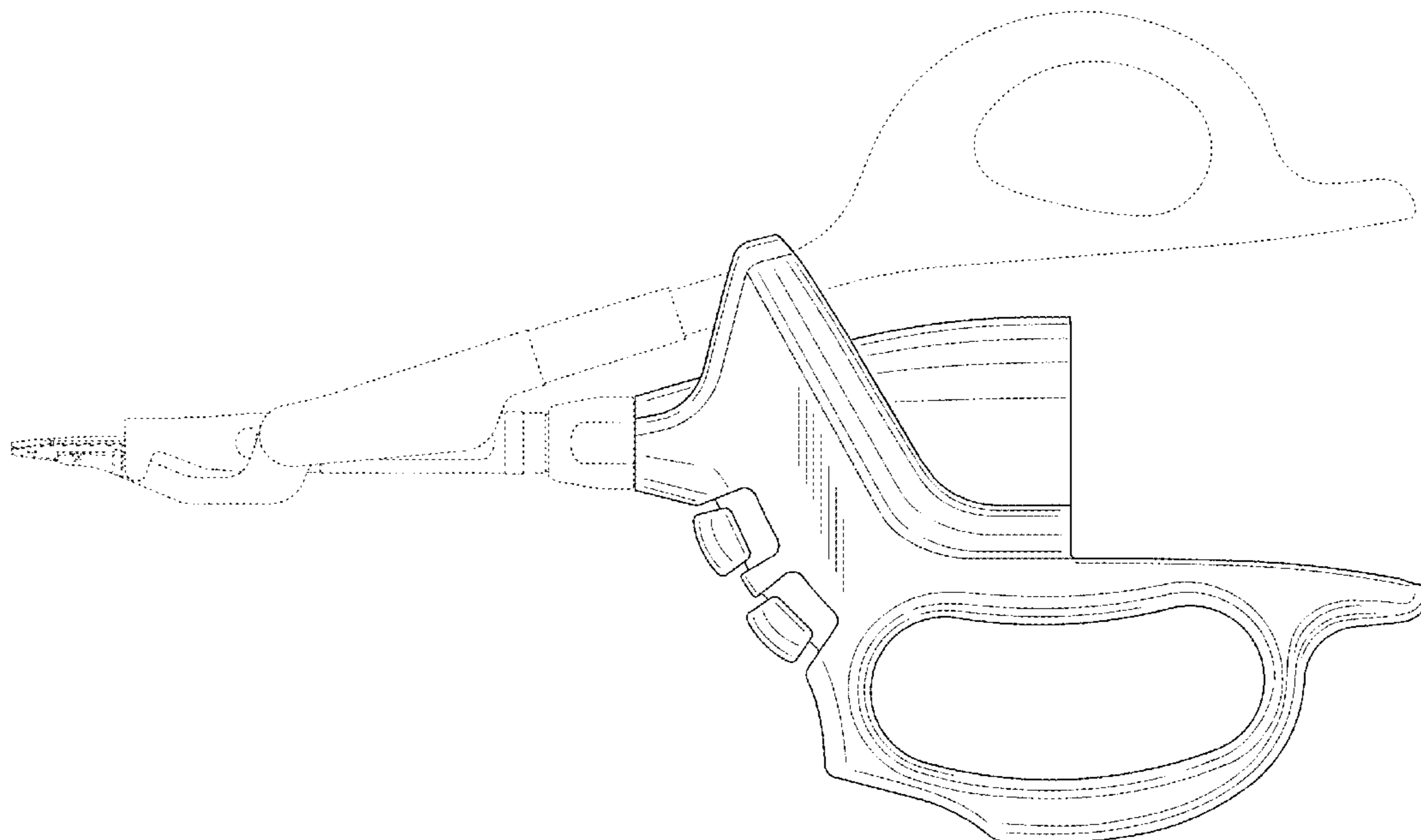
(57) **CLAIM**

The ornamental design for a surgical device, as shown and described.

DESCRIPTION

FIG. 1 is a front view of a surgical device, showing my new design;
FIG. 2 is a rear view thereof;
FIG. 3 is a left side view thereof;
FIG. 4 is a right side view thereof;
FIG. 5 is a top view thereof; and,
FIG. 6 is a bottom view thereof.
The broken lines shown are for environmental purposes only and form no part of the claimed design.

1 Claim, 4 Drawing Sheets



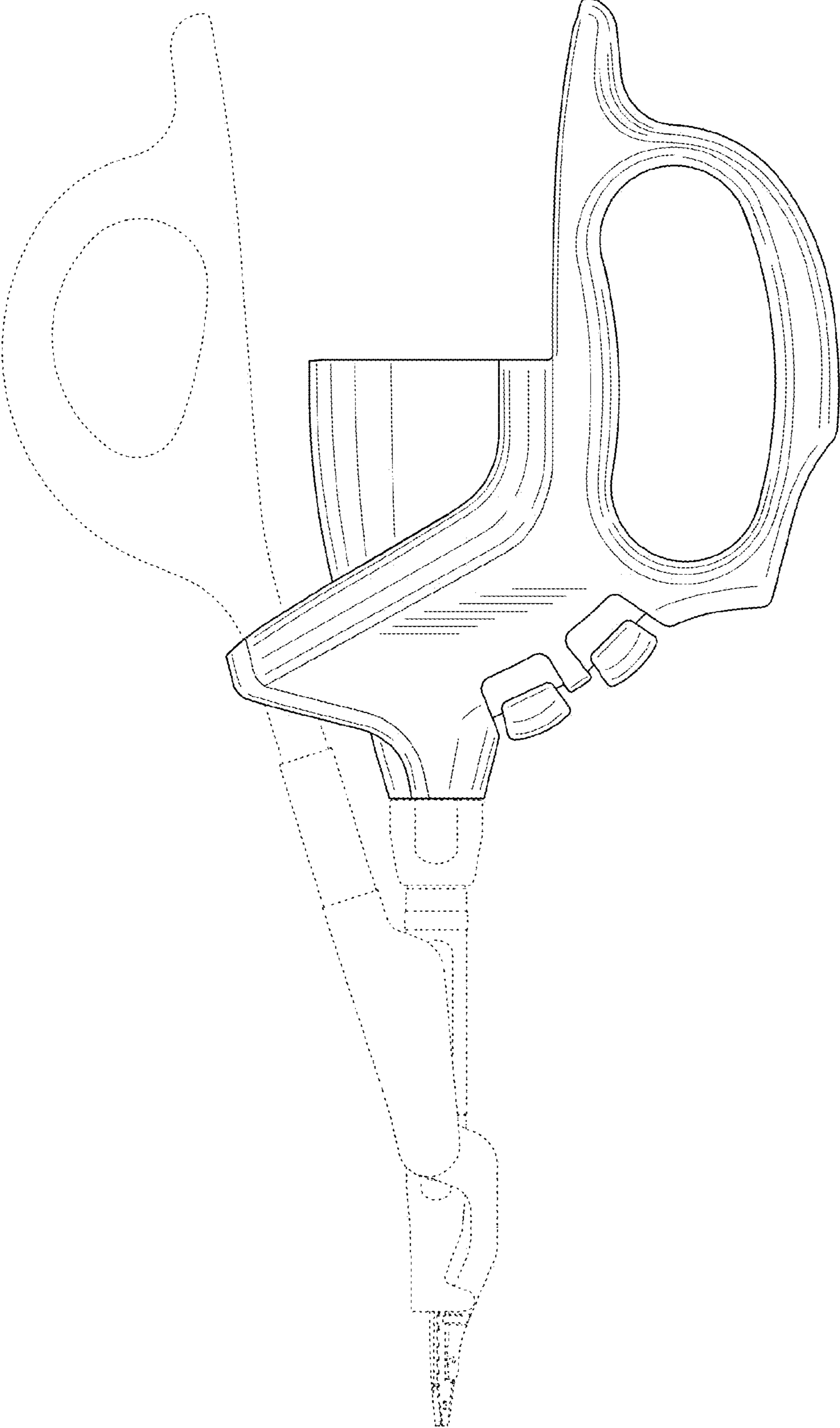


Fig. 1

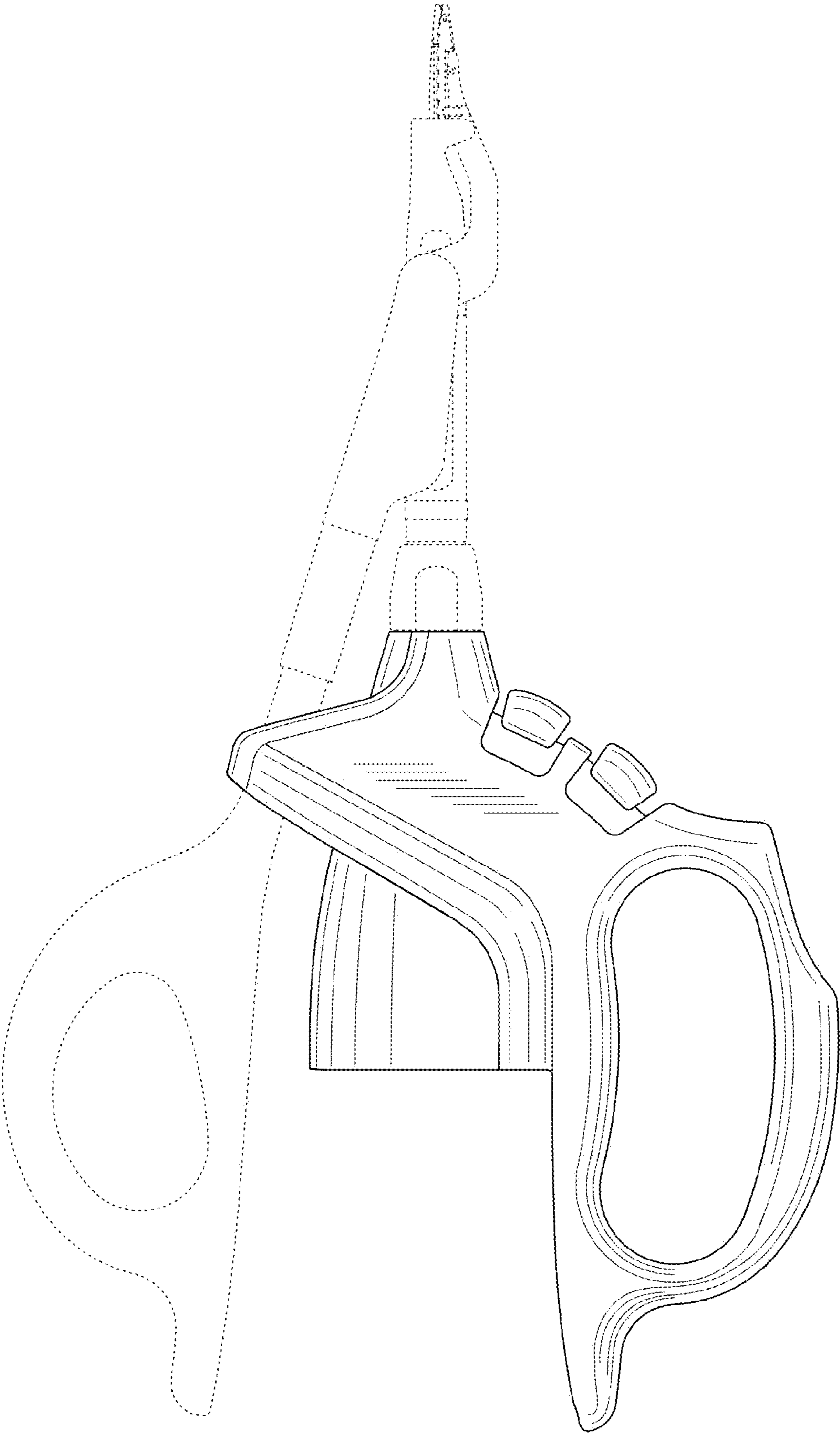


Fig. 2

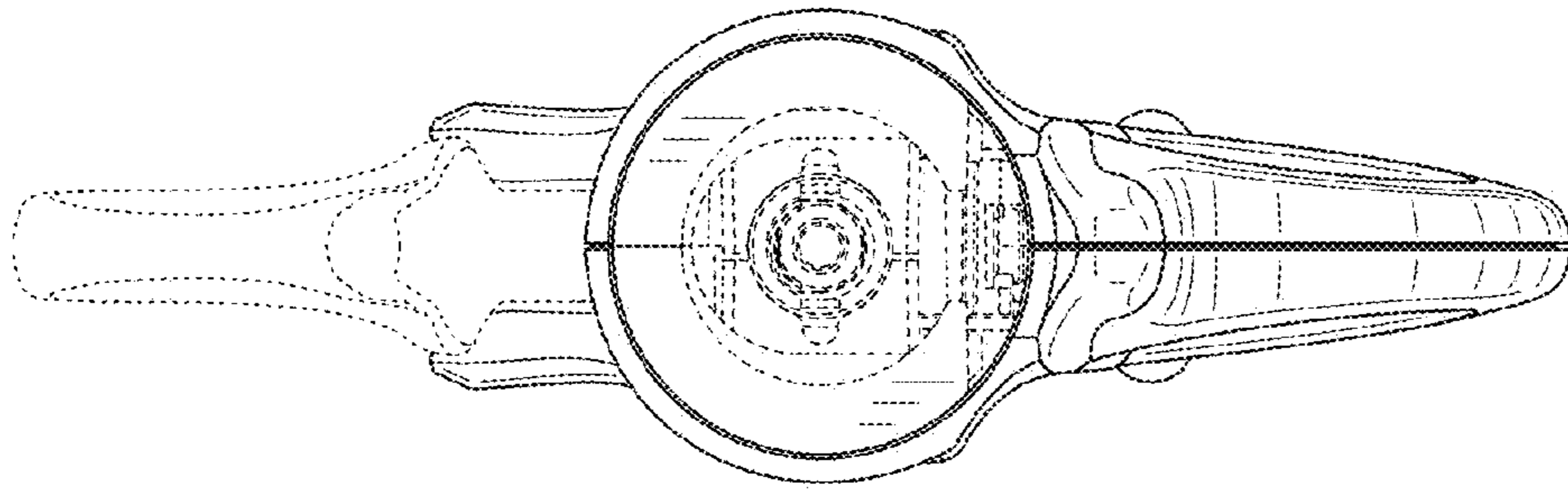


Fig. 3

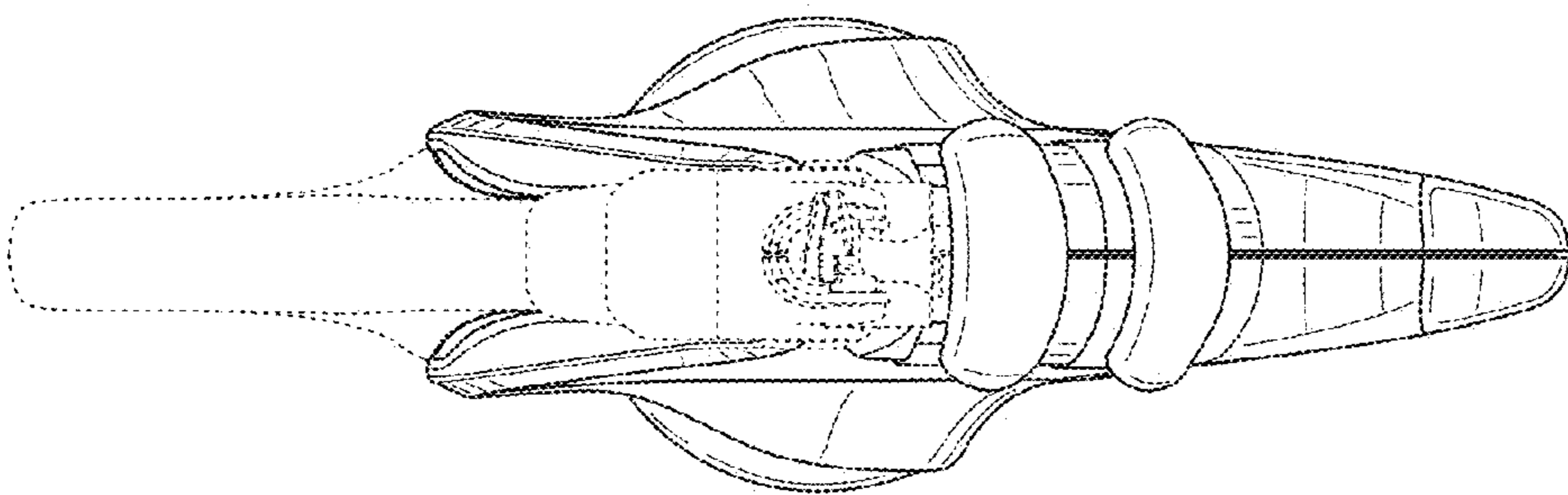


Fig. 4

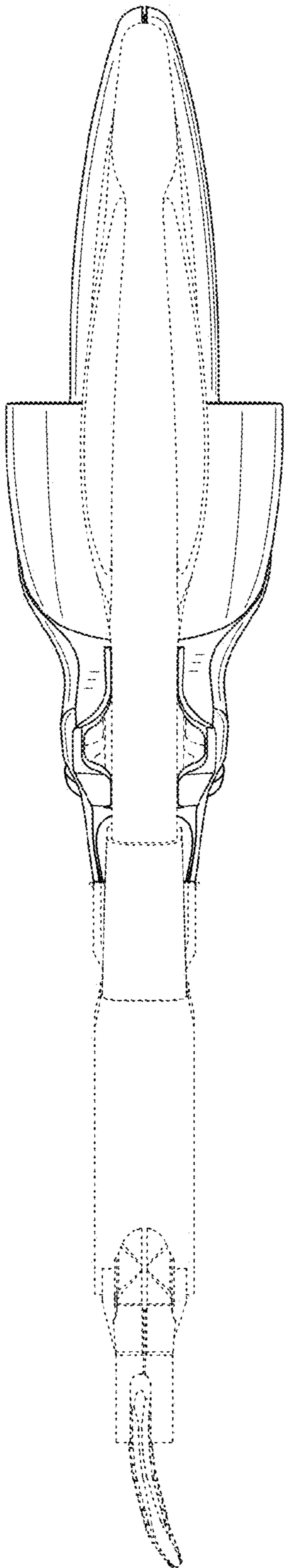


Fig. 5

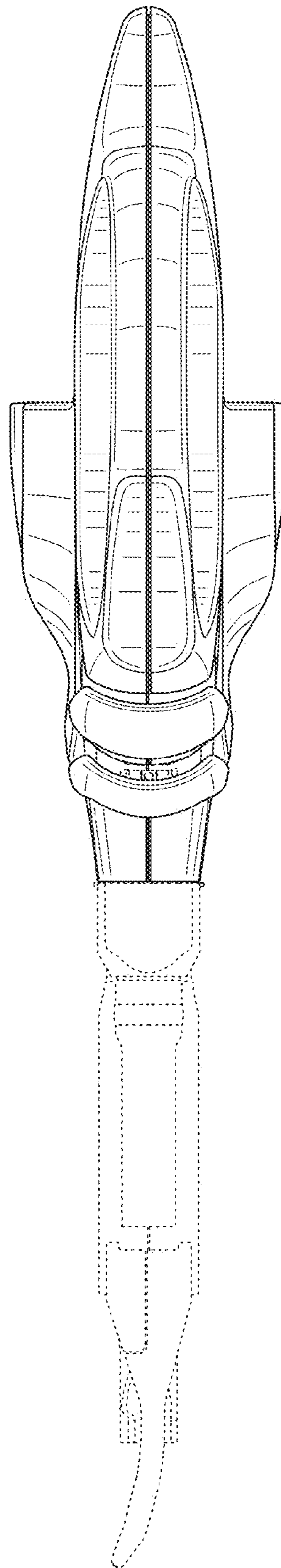


Fig. 6