



US00D750242S

(12) **United States Design Patent**
Honma et al.

(10) **Patent No.:** **US D750,242 S**
(45) **Date of Patent:** **** Feb. 23, 2016**

(54) **ENDOSCOPE HOOD**

(71) Applicant: **SUMITOMO BAKELITE CO., LTD.**,
Tokyo (JP)

(72) Inventors: **Kiyoaki Honma**, Sakata (JP); **Makoto Kobayashi**, Yokkaichi (JP); **Etsuro Yamabe**, Akita (JP)

(73) Assignee: **SUMITOMO BRAKELITE CO., LTD.**, Tokyo (JP)

(**) Term: **14 Years**

(21) Appl. No.: **29/509,599**

(22) Filed: **Nov. 19, 2014**

(30) **Foreign Application Priority Data**

May 21, 2014 (JP) 2014-010860

(51) **LOC (10) Cl.** **24-02**

(52) **U.S. Cl.**
USPC **D24/138**

(58) **Field of Classification Search**
USPC D24/138, 112, 133, 135, 137; 600/121, 600/124, 127, 143, 162, 166, 167, 168, 169, 600/170, 171, 172, 173, 174, 175, 176, 177
CPC .. A61B 1/00; A61B 1/00064; A61B 1/00066; A61B 1/0669; A61B 1/00089; A61B 1/00101; A61B 1/042
See application file for complete search history.

(56) **References Cited**

U.S. PATENT DOCUMENTS

D687,950 S * 8/2013 Gitman D24/133

D725,263 S *	3/2015	Honma	D24/133
9,072,443 B2 *	7/2015	Hashido	A61B 1/00089
2004/0077926 A1 *	4/2004	Moriyama	A61B 1/00089
				600/101
2004/0260149 A1 *	12/2004	Ishibiki	A61B 1/00089
				600/127
2005/0043584 A1 *	2/2005	Nozue	A61B 1/00089
				600/127
2007/0066870 A1 *	3/2007	Ohashi	A61B 1/00089
				600/127
2012/0071724 A1 *	3/2012	Hashido	A61B 1/00089
				600/175

* cited by examiner

Primary Examiner — Wan Laymon

Assistant Examiner — Mark Booker

(74) *Attorney, Agent, or Firm* — Westerman, Hattori, Daniels & Adrian, LLP

(57) **CLAIM**

The ornamental design for an endoscope hood, as shown and described.

DESCRIPTION

FIG. 1 is a perspective view of an endoscope hood; FIG. 2 is a front elevation view thereof, a rear elevation view being a mirror image thereof; FIG. 3 is a right side elevation view thereof; FIG. 4 is a left side elevation view thereof; FIG. 5 is a top plan view thereof; FIG. 6 is a bottom plan view thereof; and, FIG. 7 is a cross-sectional view taken along the line 7-7 in FIG. 5.

1 Claim, 7 Drawing Sheets

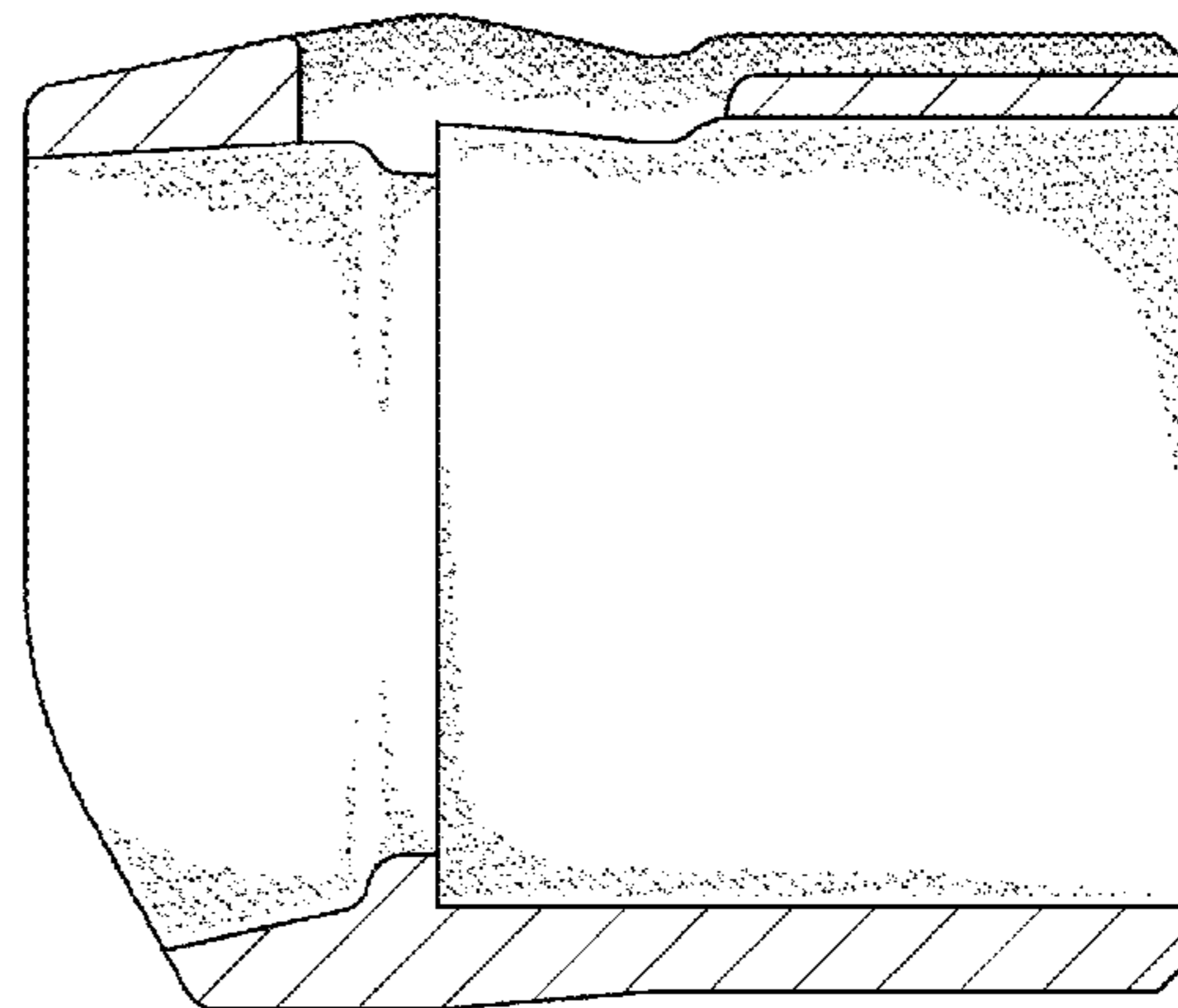
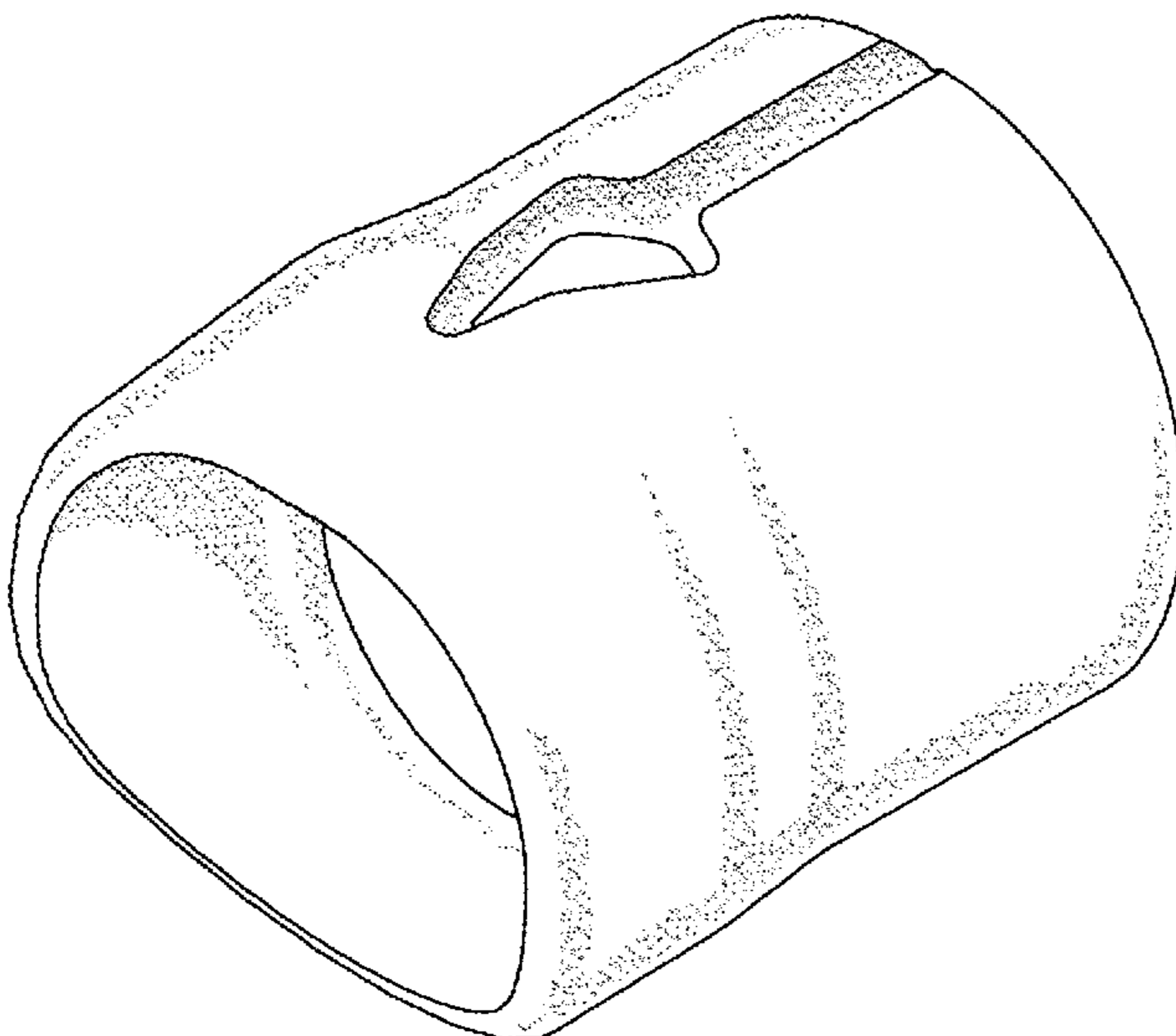


FIG. 1

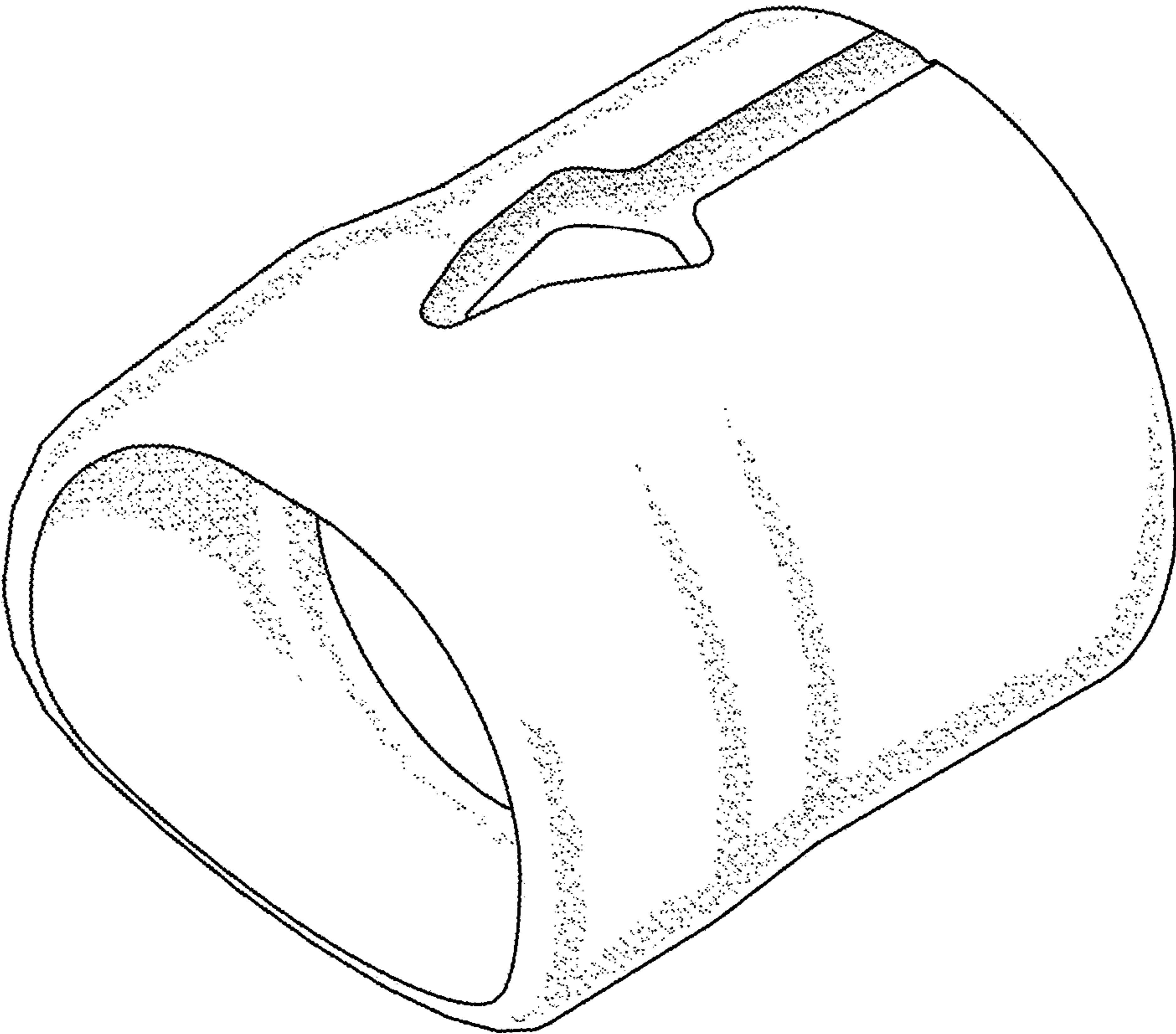


FIG. 2

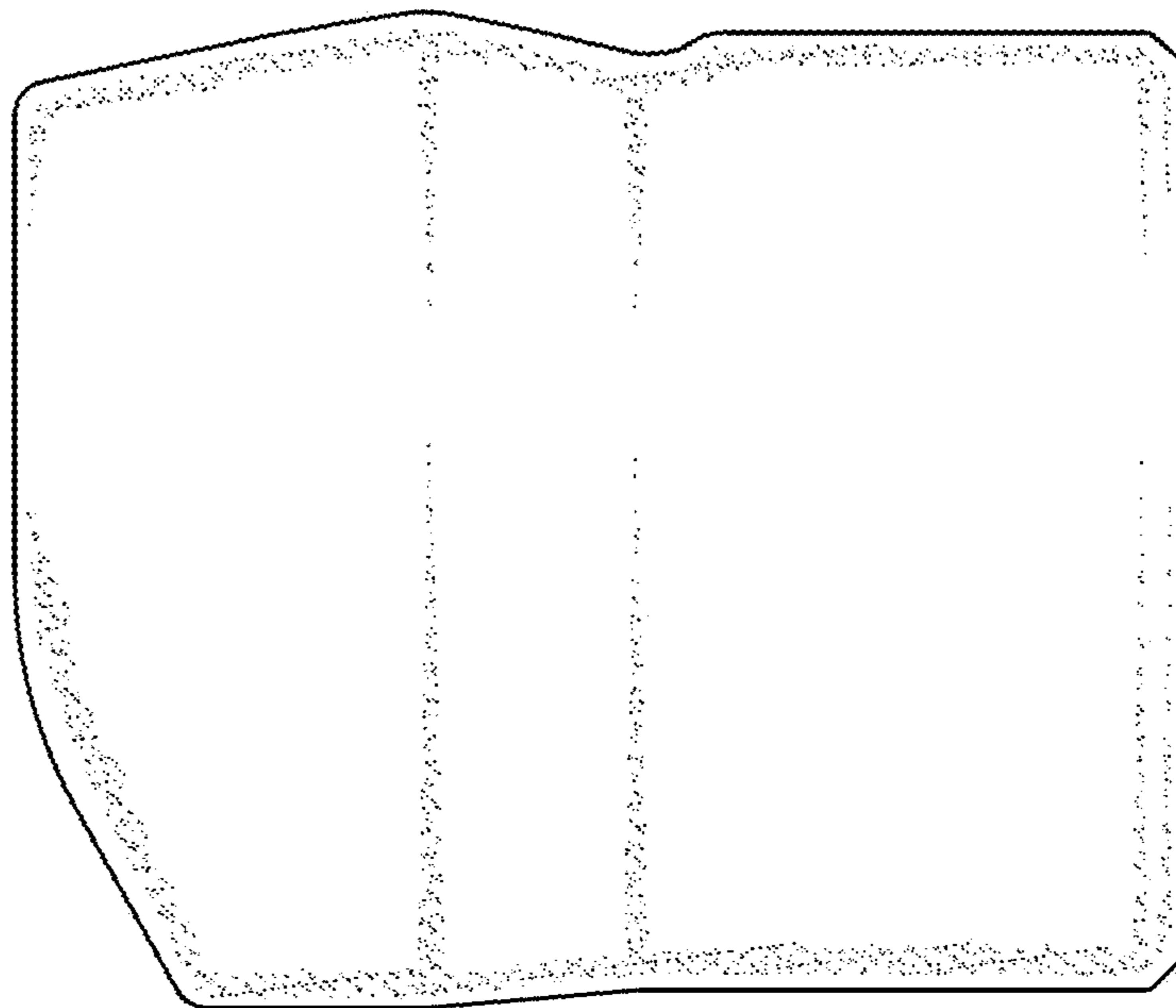


FIG. 3

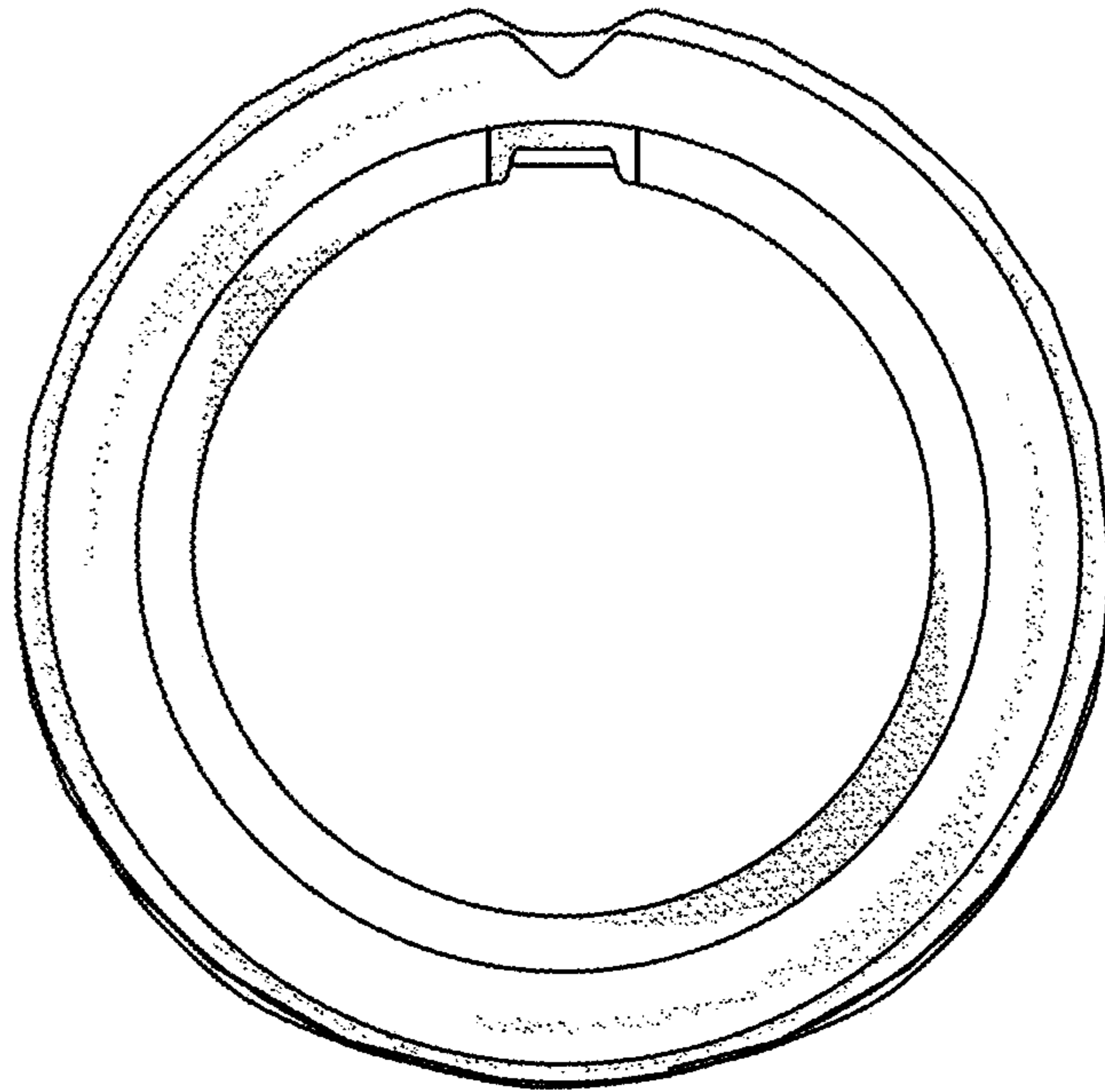


FIG. 4

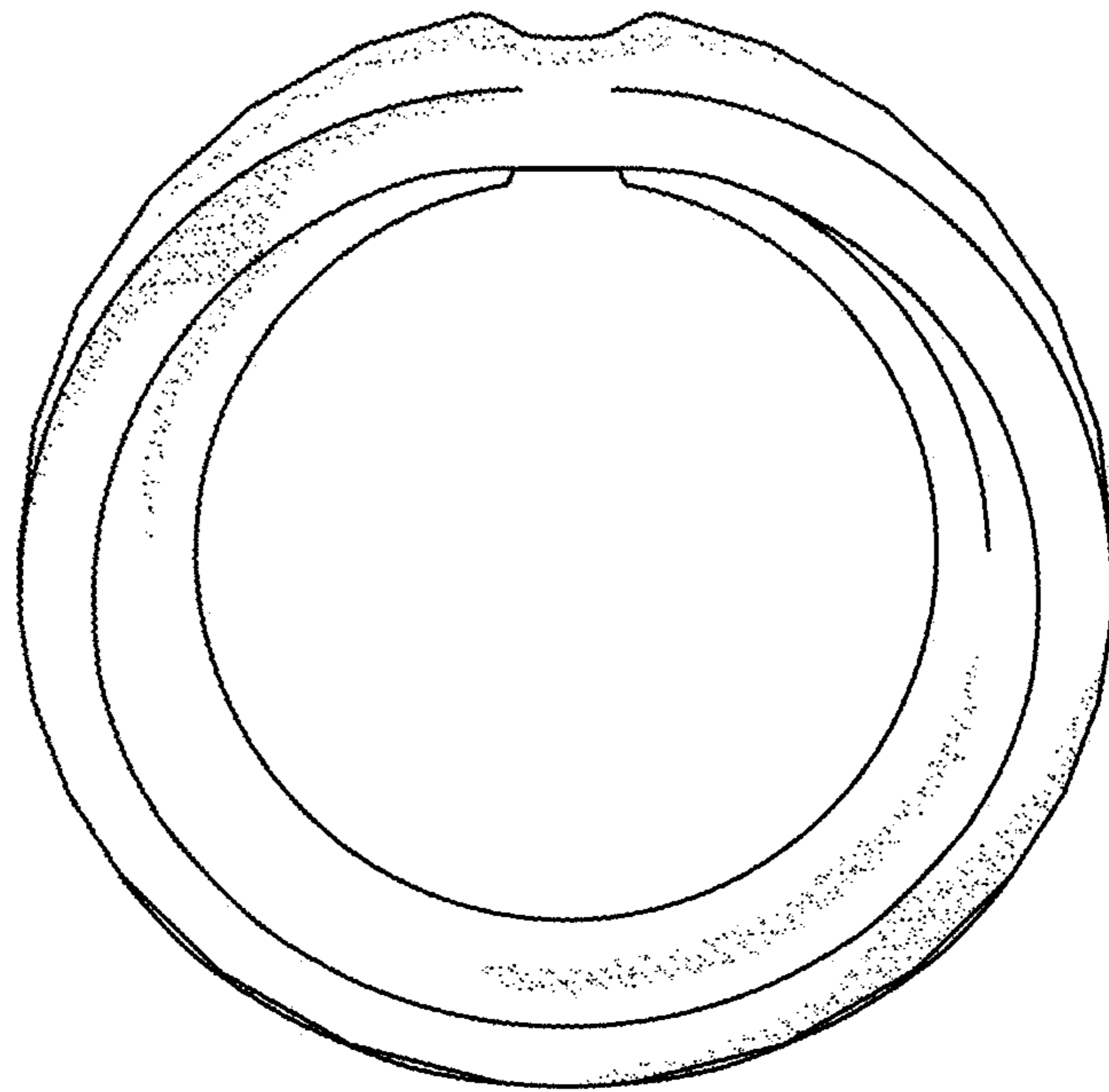


FIG. 5

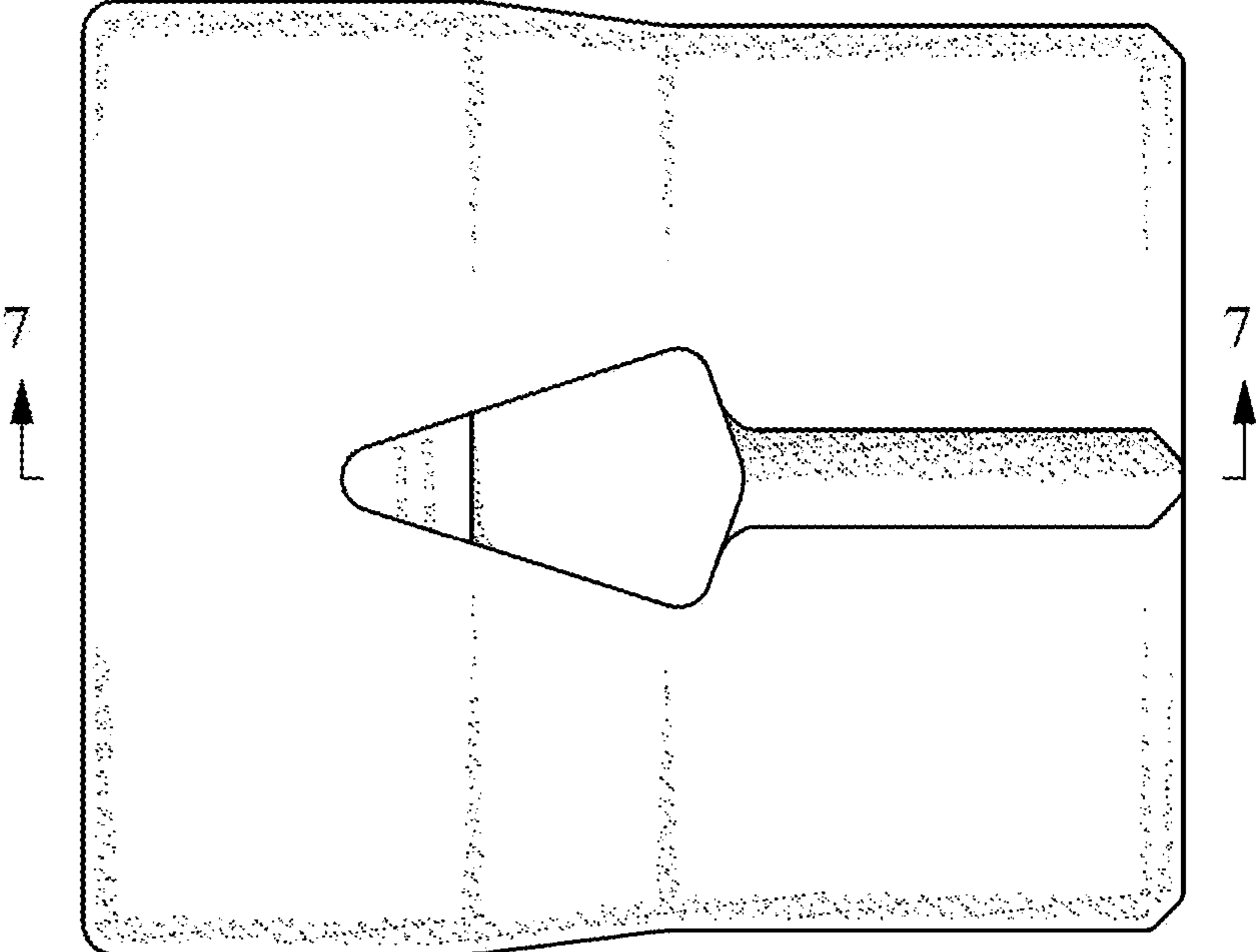


FIG. 6

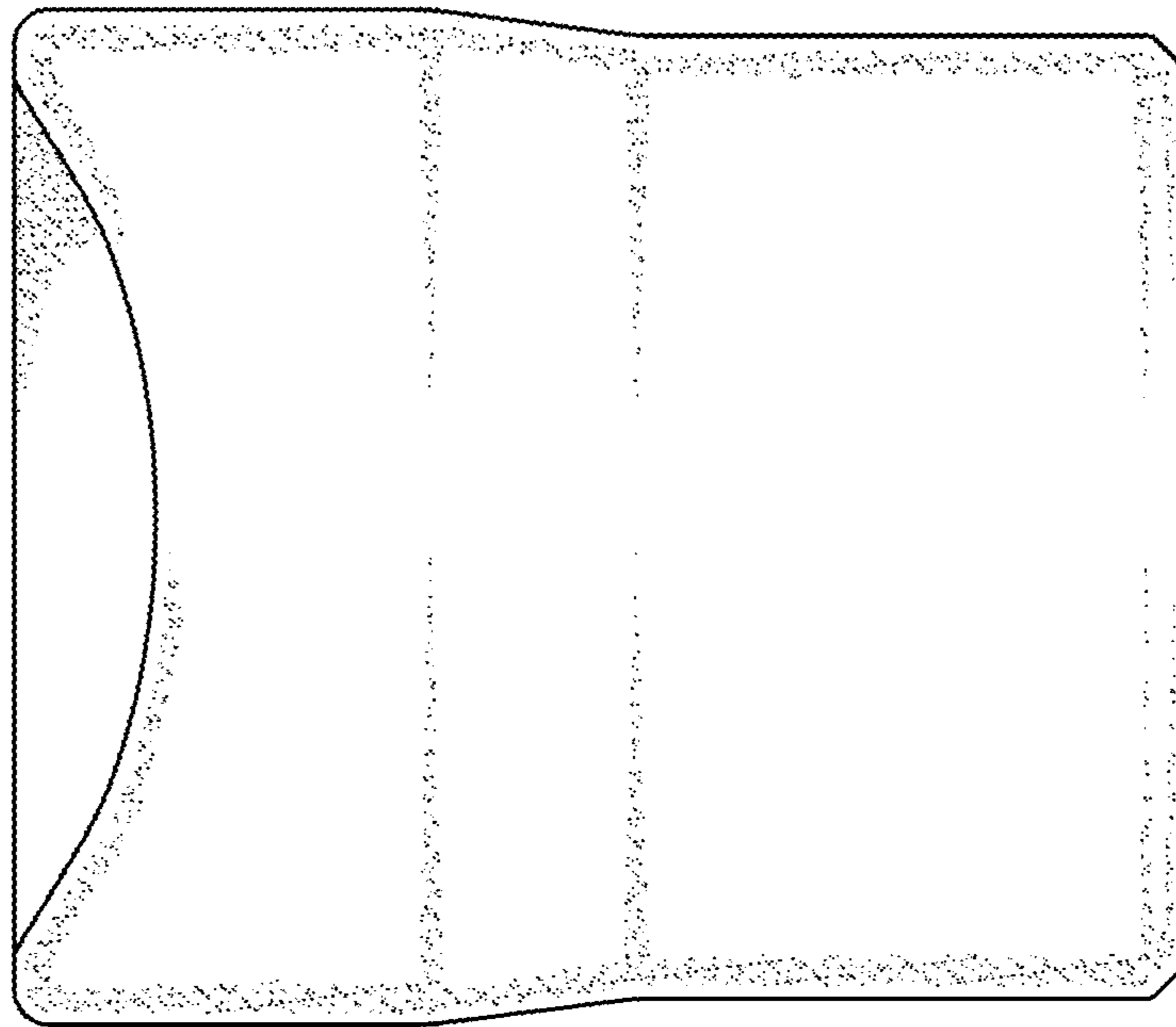


FIG. 7

