



US00D750240S

(12) **United States Design Patent**  
**Gonzales et al.**

(10) **Patent No.:** **US D750,240 S**  
(45) **Date of Patent:** **\*\* Feb. 23, 2016**

- (54) **INSERTION DEVICE**
- (71) Applicant: **ENTRIGUE SURGICAL, INC.**, San Antonio, TX (US)
- (72) Inventors: **Donald A. Gonzales**, Austin, TX (US);  
**Fred B. Dinger**, San Antonio, TX (US);  
**Jeffrey S. Wrana**, San Antonio, TX (US)
- (73) Assignee: **ArthroCare Corporation**, Austin, TX (US)
- (\*\*) Term: **14 Years**
- (21) Appl. No.: **29/478,532**
- (22) Filed: **Jan. 6, 2014**

4,940,061 A *	7/1990	Terwilliger .....	A61B 10/0275 600/567
D343,000 S	1/1994	Olson .....	D24/145
5,582,618 A	12/1996	Chin et al. ....	606/170
D379,228 S	5/1997	Rahimzadeh et al. ....	D24/145
5,730,747 A *	3/1998	Ek .....	A61B 17/0469 606/139
5,792,149 A	8/1998	Sherts et al. ....	606/142
D404,484 S	1/1999	Lahr et al. ....	D24/133

(Continued)

**FOREIGN PATENT DOCUMENTS**

CA	138202	*	7/2011
GB	3011363	*	8/2003

**OTHER PUBLICATIONS**

Office Communication issued in U.S. Appl. No. 29/363,134, dated Jan. 18, 2011.

*Primary Examiner* — Bridget L Eland  
*Assistant Examiner* — Lauren McVey  
(74) *Attorney, Agent, or Firm* — David A. Warmbold

**Related U.S. Application Data**

- (60) Division of application No. 29/455,391, filed on May 20, 2013, now Pat. No. Des. 697,618, which is a continuation of application No. 29/394,983, filed on Jun. 23, 2011, now Pat. No. Des. 683,852, which is a division of application No. 29/363,134, filed on Jun. 4, 2010, now Pat. No. Des. 643,115.
- (51) **LOC (10) Cl.** ..... **24-02**
- (52) **U.S. Cl.**  
USPC ..... **D24/133**
- (58) **Field of Classification Search**  
USPC ..... D24/133, 143, 145, 146; 606/83, 99;  
600/114  
CPC ..... Y10S 604/902; A61B 17/0218; A61B 17/3415; A61B 2017/0046; A61B 2019/481; A61B 17/92; A61B 17/921; A61B 2017/922; A61B 2017/924; A61B 2017/925; A61B 2017/927; A61B 2017/928; A61F 2002/4685; A61F 2002/4627; A61F 2/46; A61F 2/4603; A61F 2002/4623; A61F 2002/4624  
See application file for complete search history.

(57) **CLAIM**

The ornamental design for an insertion device, as shown and described.

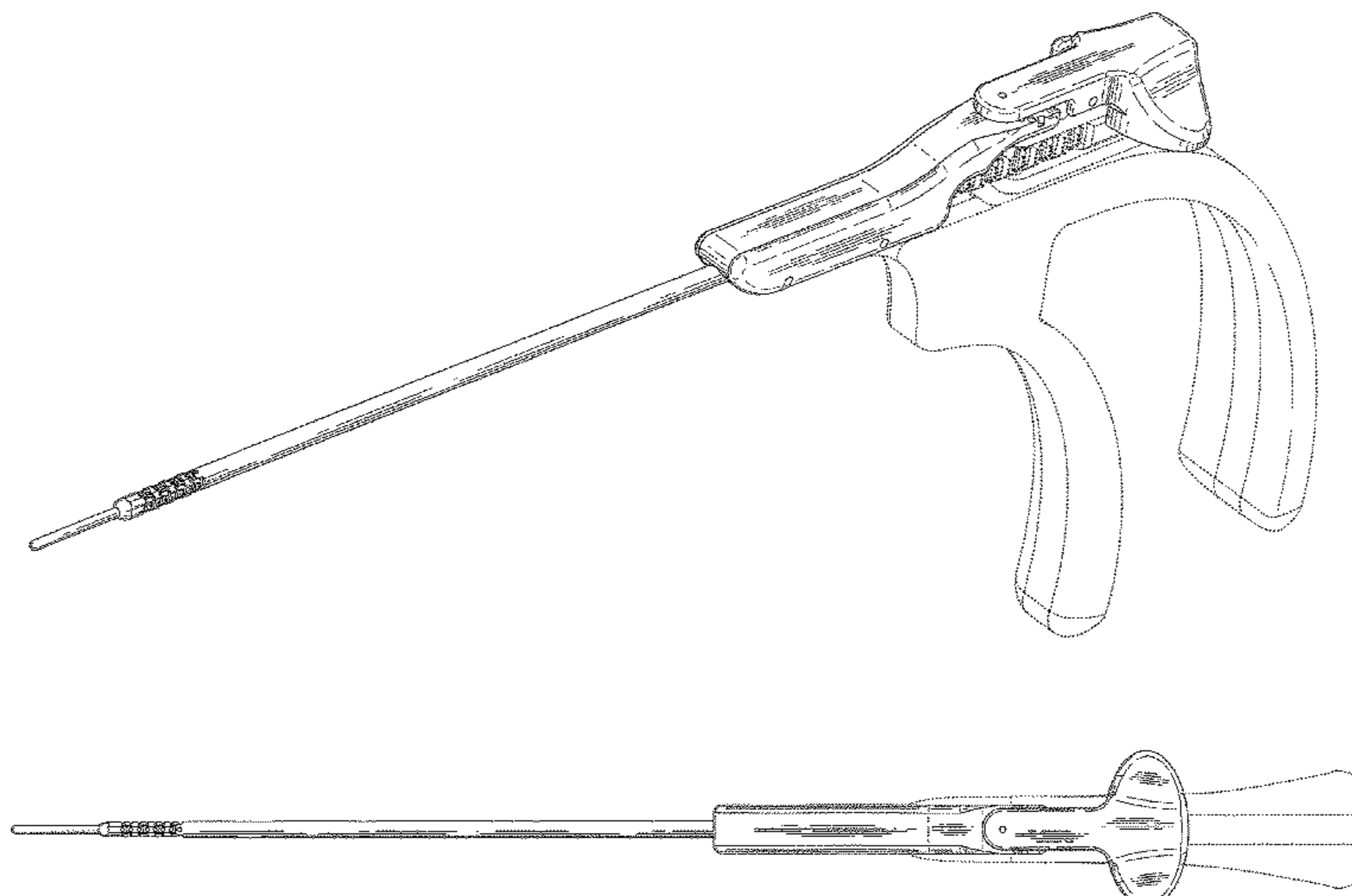
**DESCRIPTION**

FIG. 1 is a front perspective view of an insertion device showing our new design;  
FIG. 2 is a back perspective view thereof;  
FIG. 3 is a back view thereof;  
FIG. 4 is a front view thereof;  
FIG. 5 is a left side view thereof;  
FIG. 6 is a top view thereof; and,  
FIG. 7 is a bottom view thereof.  
The dashed lines in FIGS. 1-7 represent environmental structure and form no part of the claimed design.

- (56) **References Cited**  
U.S. PATENT DOCUMENTS

3,608,544 A 9/1971 Schnepfer ..... 600/564

**1 Claim, 5 Drawing Sheets**



(56)

**References Cited**

U.S. PATENT DOCUMENTS

D460,553 S 7/2002 Koros et al. .... D24/147  
 6,500,189 B1 12/2002 Lang et al. .... 606/170  
 6,575,978 B2 6/2003 Peterson et al. .... 606/83  
 D495,413 S \* 8/2004 Perry ..... D24/108  
 D613,407 S 4/2010 Baynham ..... D24/146  
 D621,931 S 8/2010 Storz ..... D24/133  
 D631,155 S 1/2011 Peine et al. .... D24/133  
 D635,671 S 4/2011 Way et al. .... D24/147  
 D636,872 S 4/2011 Marescaux et al. .... D24/133  
 D643,115 S 8/2011 Gonzales et al. .... D24/133  
 D651,311 S 12/2011 Triplett ..... D24/133  
 D653,338 S 1/2012 Mangeshikar ..... D24/133  
 D658,759 S 5/2012 Marescaux et al. .... D24/133  
 D660,422 S 5/2012 Hermle ..... D24/133

8,303,630 B2 11/2012 Abdou ..... 606/249  
 D679,011 S 3/2013 Kitayama et al. .... D24/133  
 8,409,213 B2 4/2013 Trudeau et al. .... 606/99  
 D683,852 S 6/2013 Gonzales et al. .... D24/133  
 D687,549 S 8/2013 Johnson et al. .... D24/133  
 D693,466 S \* 11/2013 Dallemagne ..... D24/144  
 D697,618 S \* 1/2014 Gonzales ..... D24/133  
 8,721,650 B2 \* 5/2014 Fanton ..... A61B 17/062  
 606/232  
 D708,328 S \* 7/2014 Bannerman ..... D24/108  
 D740,414 S \* 10/2015 Katsura ..... D24/133  
 2002/0153008 A1 10/2002 Schwartz et al. .... 128/200.26  
 2004/0254575 A1 12/2004 Obenchain et al. .... 606/86 A  
 2009/0248077 A1 10/2009 Johns ..... 606/246  
 2015/0196294 A1 \* 7/2015 Murillo ..... A61B 17/0469  
 606/145

\* cited by examiner

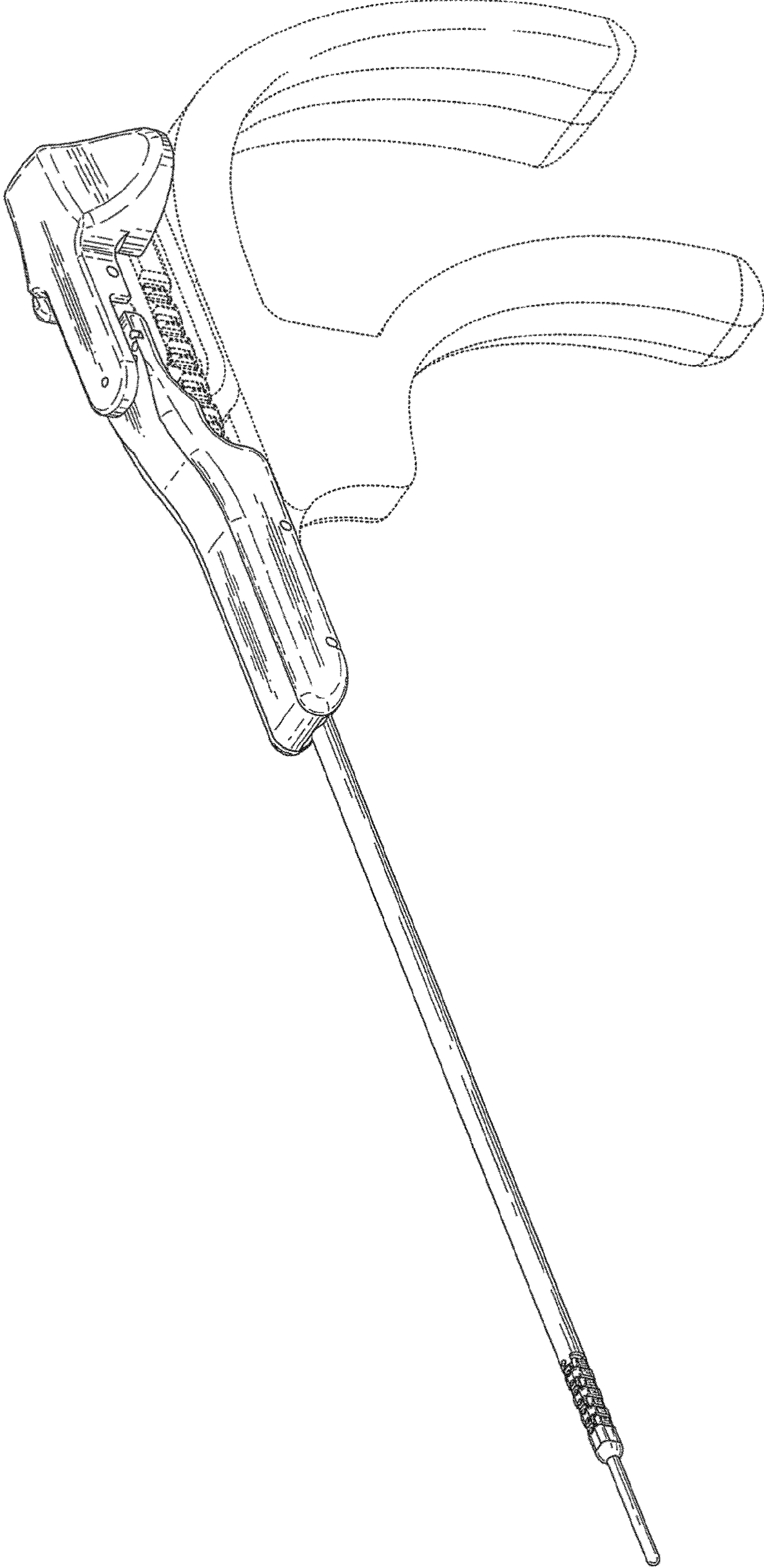


FIG. 1

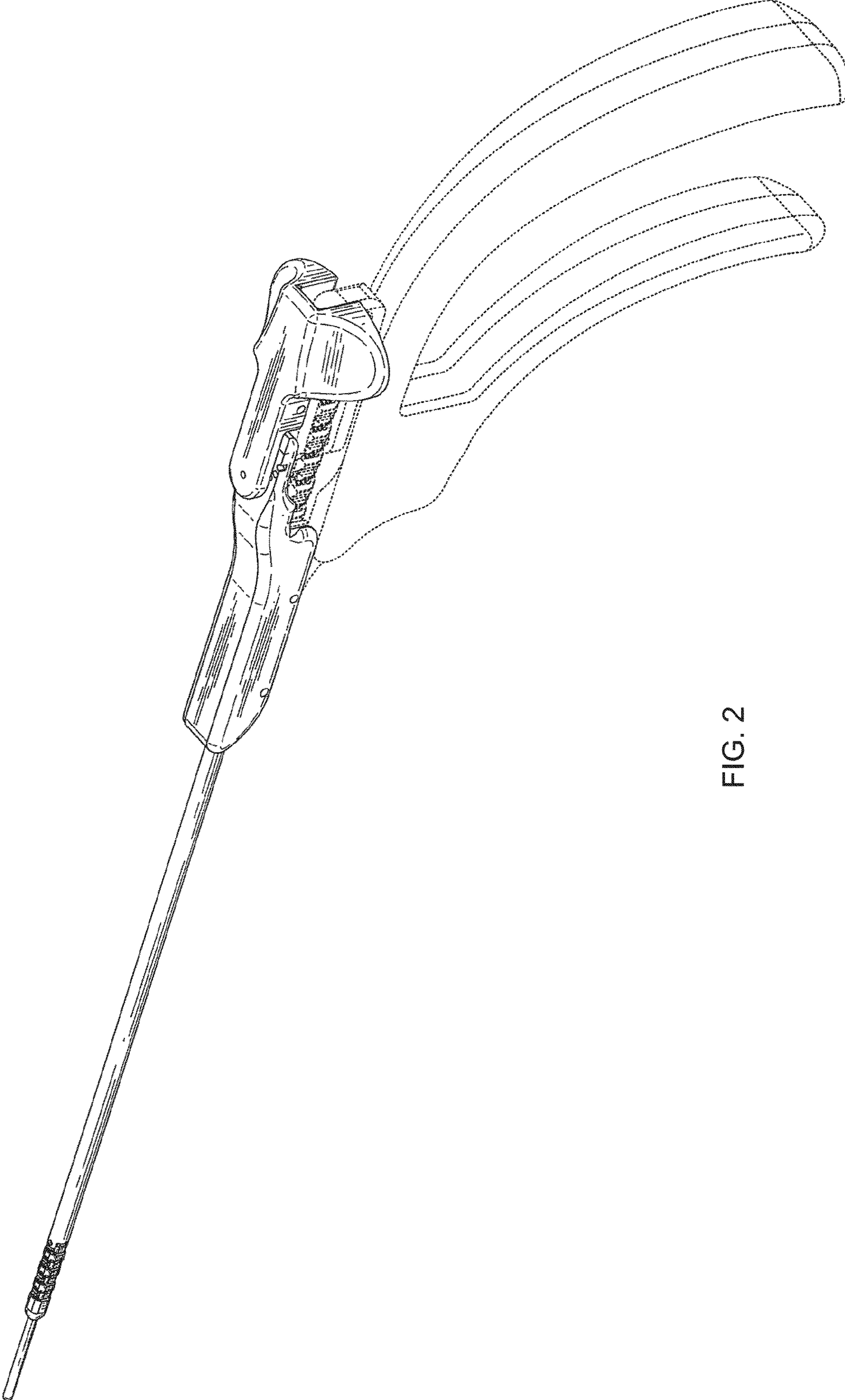


FIG. 2

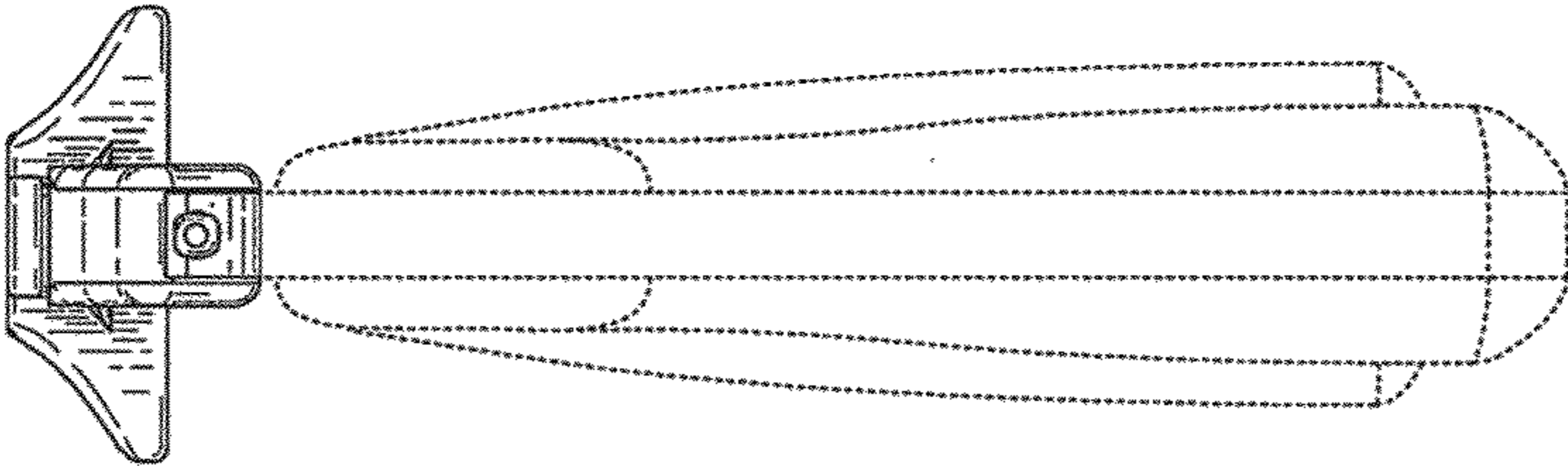


FIG. 4

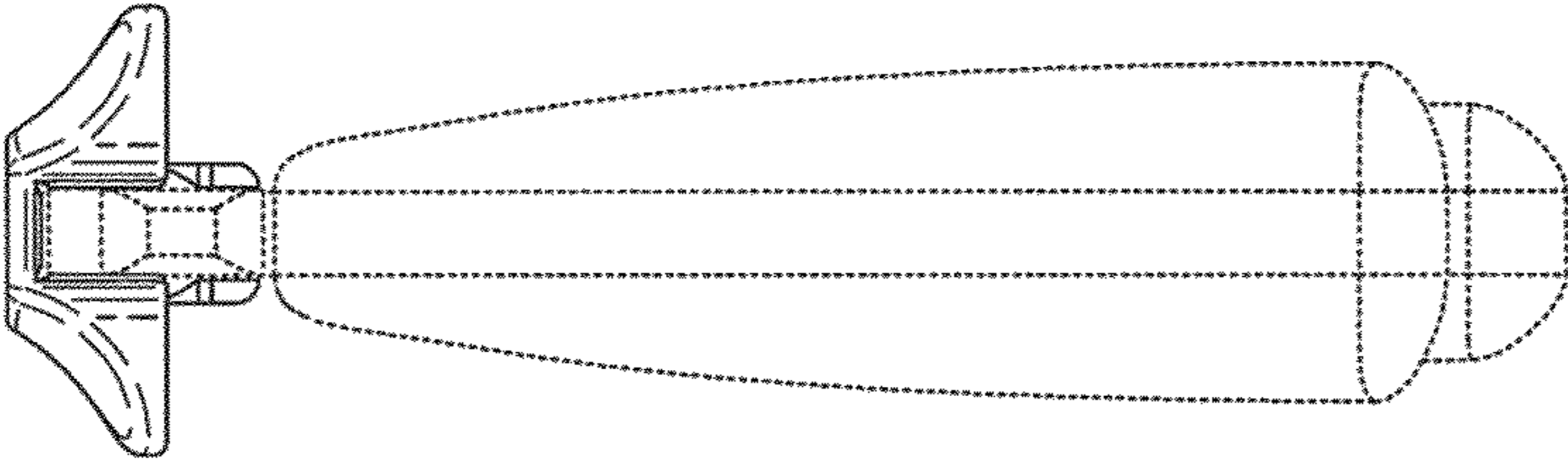


FIG. 3

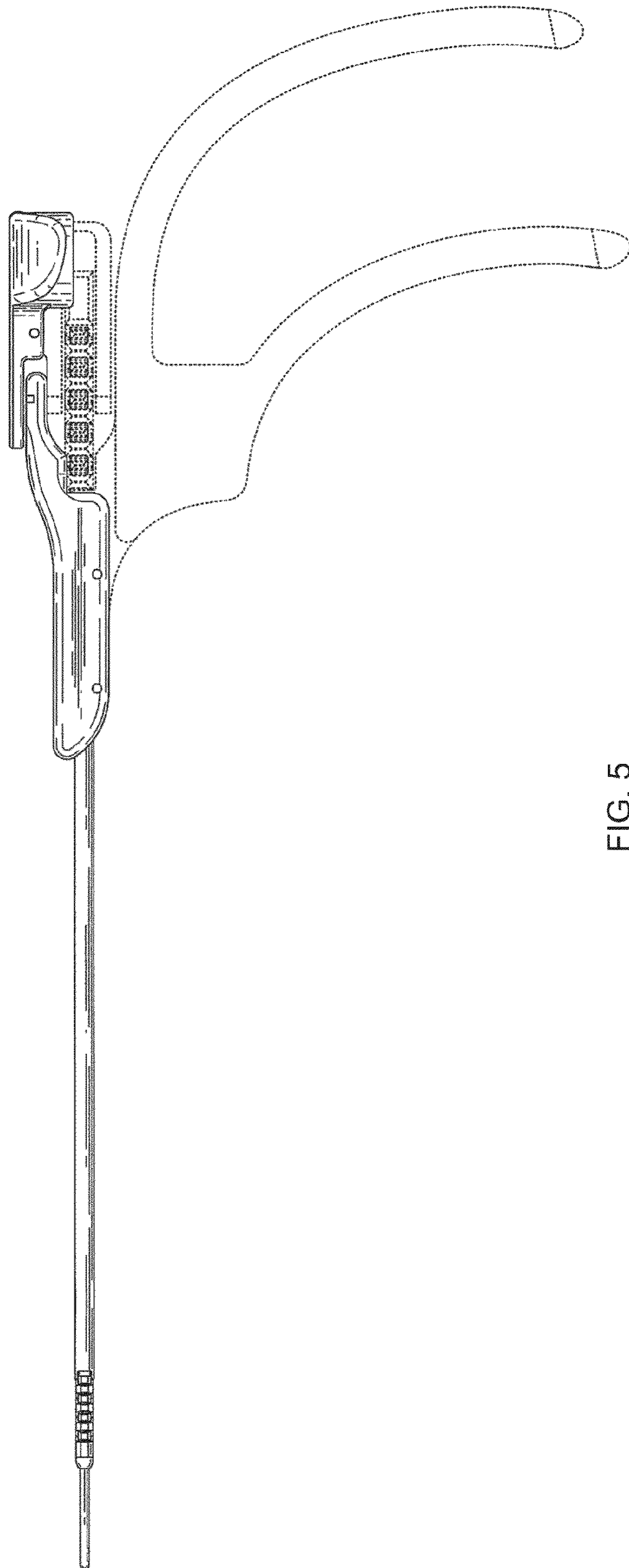


FIG. 5

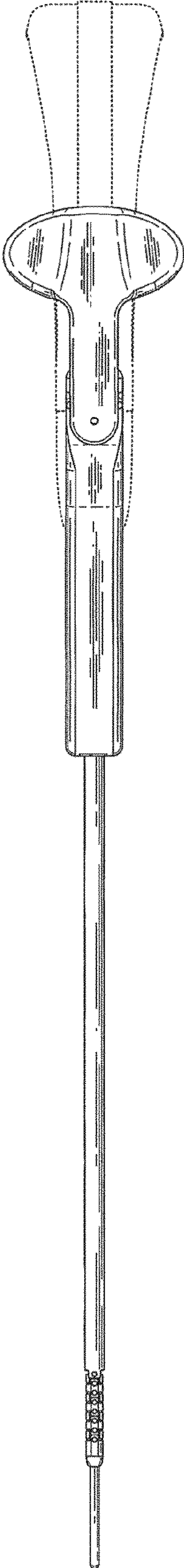


FIG. 6

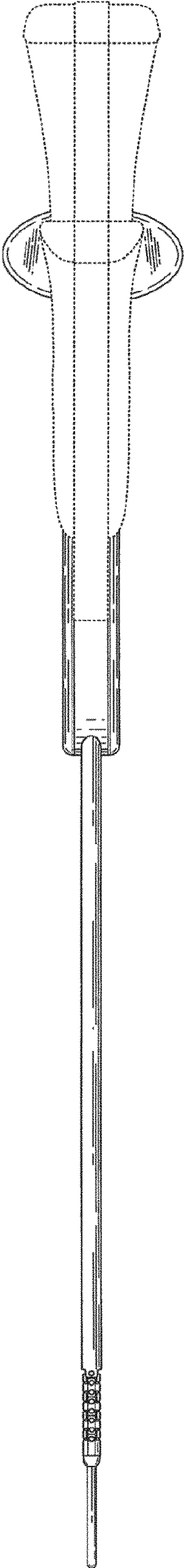


FIG. 7