



US00D750238S

(12) **United States Design Patent**  
**Ku**

(10) **Patent No.:** **US D750,238 S**

(45) **Date of Patent:** **\*\* Feb. 23, 2016**

(54) **UREA LEVEL SENSOR**

(56) **References Cited**

(71) Applicant: **DONGGUAN ZHENGYANG ELECTRONIC MECHANICAL CO., LTD.**, Dongguan, Guangdong (CN)

U.S. PATENT DOCUMENTS

(72) Inventor: **Yi-Hsin Ku**, Dongguan (CN)

D440,304 S *	4/2001	Morales	.....	D24/112
D451,194 S *	11/2001	Cise et al.	.....	D24/112
D456,898 S *	5/2002	Yang	.....	D24/122
D518,893 S *	4/2006	Ugent et al.	.....	D24/128
D596,291 S *	7/2009	Berberich et al.	.....	D24/133
D601,248 S *	9/2009	Mros et al.	.....	D24/129
D624,180 S *	9/2010	Grant et al.	.....	D24/129
D627,063 S *	11/2010	West et al.	.....	D24/128
D628,691 S *	12/2010	Sung et al.	.....	D24/128
8,303,576 B2 *	11/2012	Brock	.....	606/1
D678,521 S *	3/2013	Mort et al.	.....	D24/129
D695,891 S *	12/2013	Biel et al.	.....	D24/112
D704,336 S *	5/2014	Chon et al.	.....	D24/144

(73) Assignee: **DONGGUAN ZHENGYANG ELECTRONIC MECHANICAL CO., LTD.**, Dongguan (CN)

(\*\*) Term: **14 Years**

\* cited by examiner

(21) Appl. No.: **29/503,514**

*Primary Examiner* — David Muller

(22) Filed: **Sep. 26, 2014**

(74) *Attorney, Agent, or Firm* — Nixon & Vanderhye P.C.

(30) **Foreign Application Priority Data**

(57) **CLAIM**

Sep. 3, 2014 (CN) ..... 2014 3 0324479

The ornamental designs for a urea level sensor, as shown and described.

(51) **LOC (10) Cl.** ..... **24-02**

**DESCRIPTION**

(52) **U.S. Cl.**

USPC ..... **D24/129**

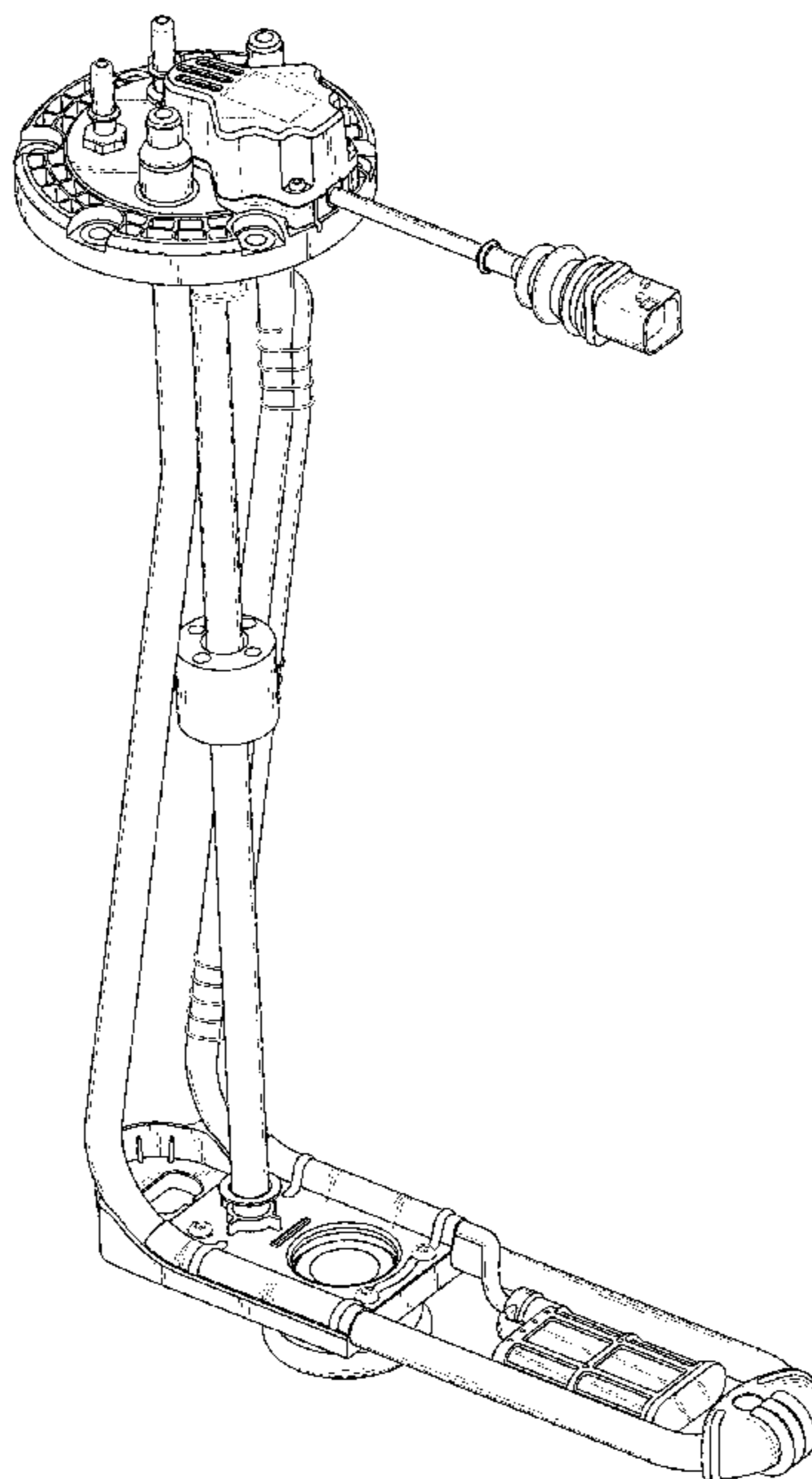
(58) **Field of Classification Search**

USPC ..... D24/127-131, 112-114, 133, 186; 606/181, 185; 604/264, 523-528, 272, 604/187, 158, 164.01-164.11, 181, 184, 604/227; 600/101, 139, 143; 128/200.24, 128/207.14, 207.15

CPC . A61M 25/065; A61M 5/42; A61M 25/0612; A61M 25/00; A61M 39/00; A61M 27/00; A61M 25/0043; A61M 25/0067; A61M 25/0097; A61F 2/958

See application file for complete search history.

**1 Claim, 7 Drawing Sheets**



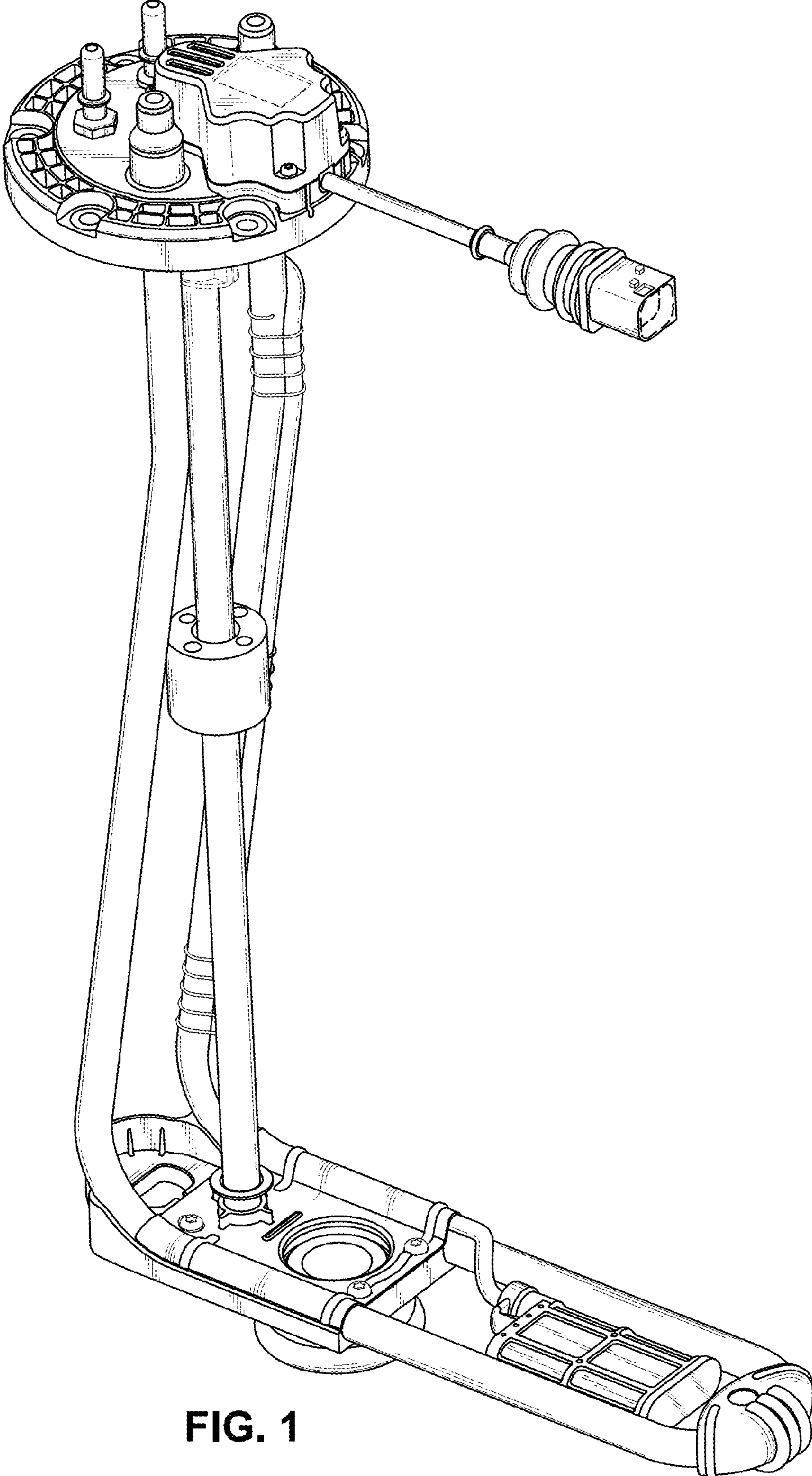


FIG. 1

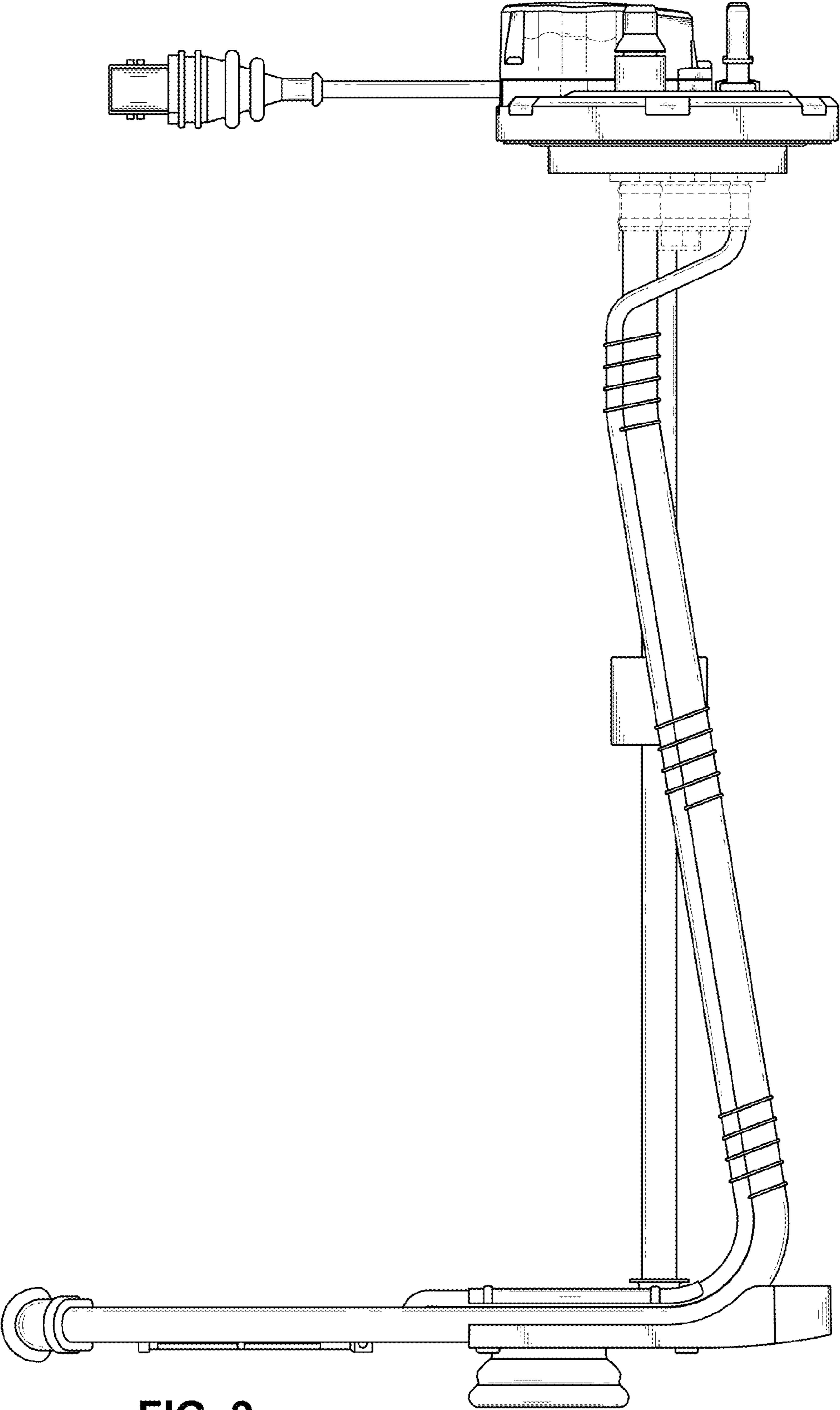


FIG. 2

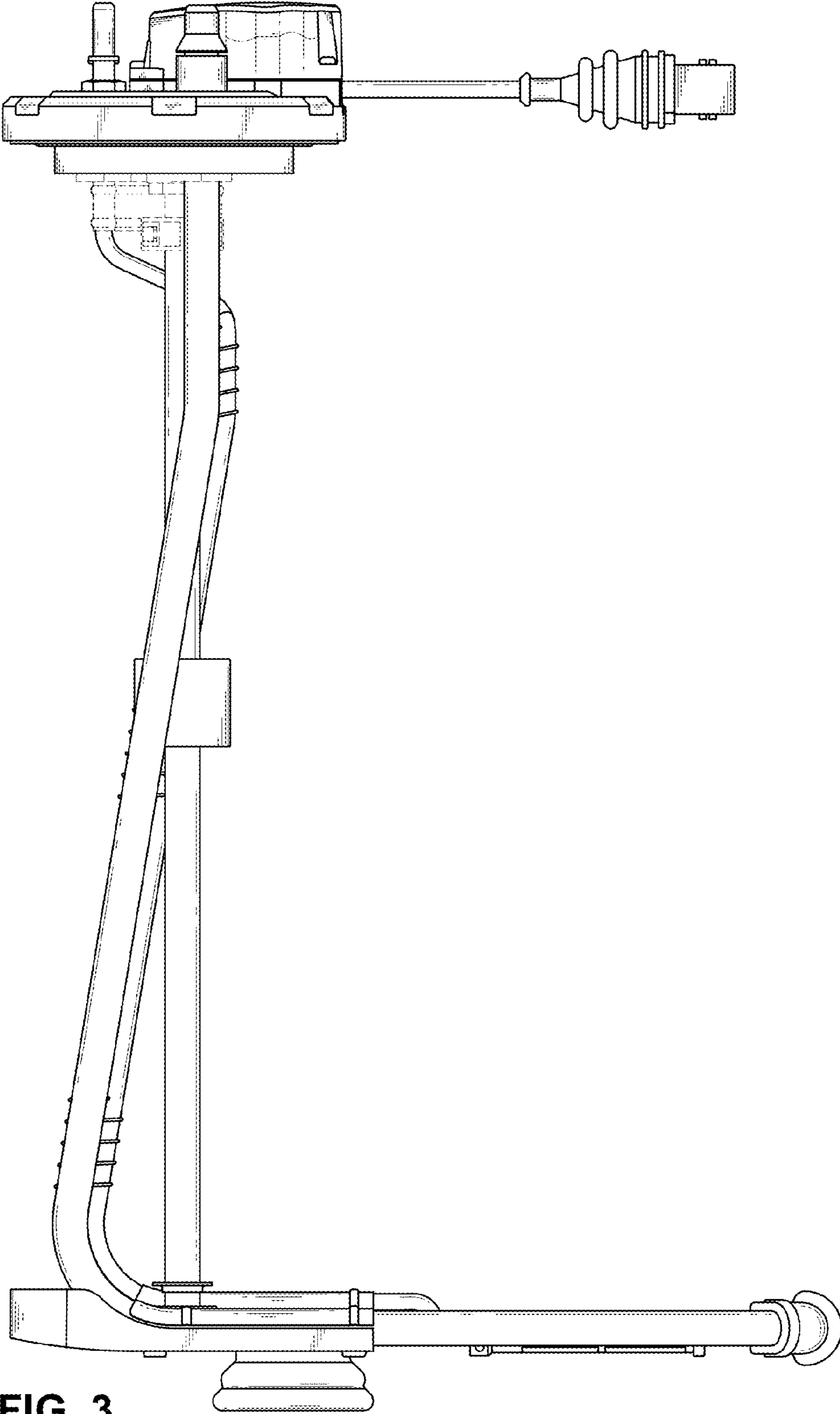


FIG. 3

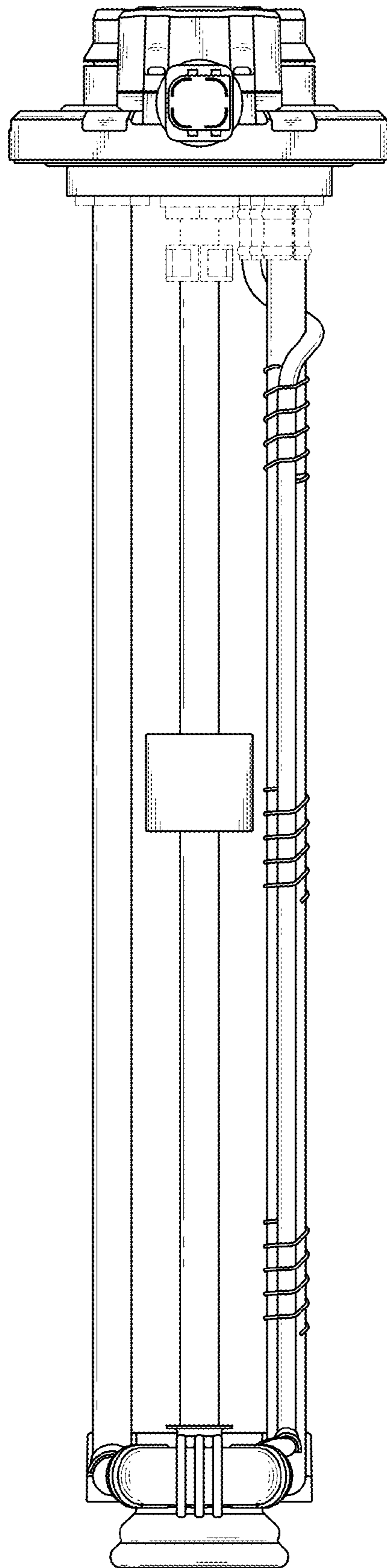


FIG. 4

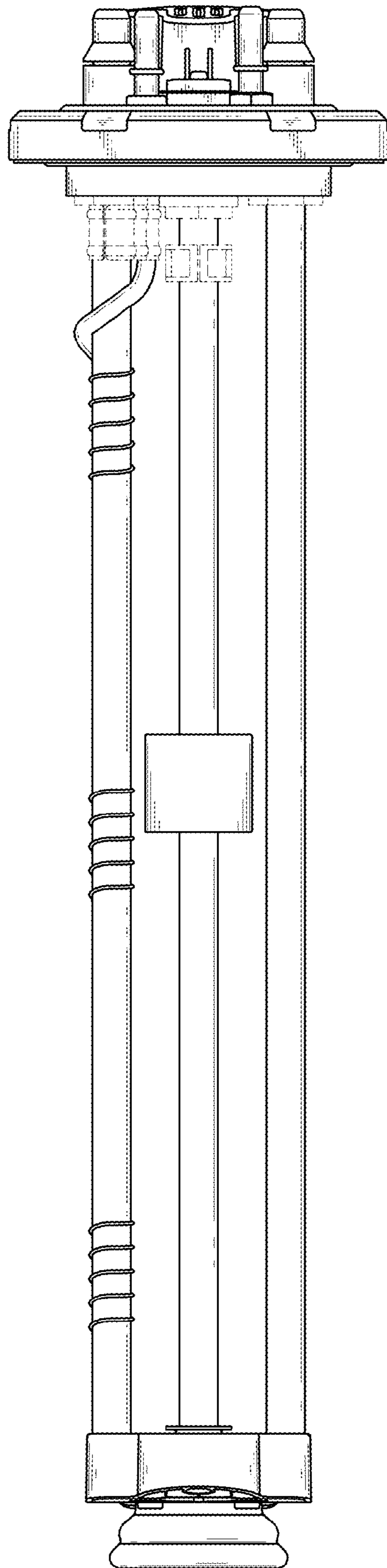


FIG. 5

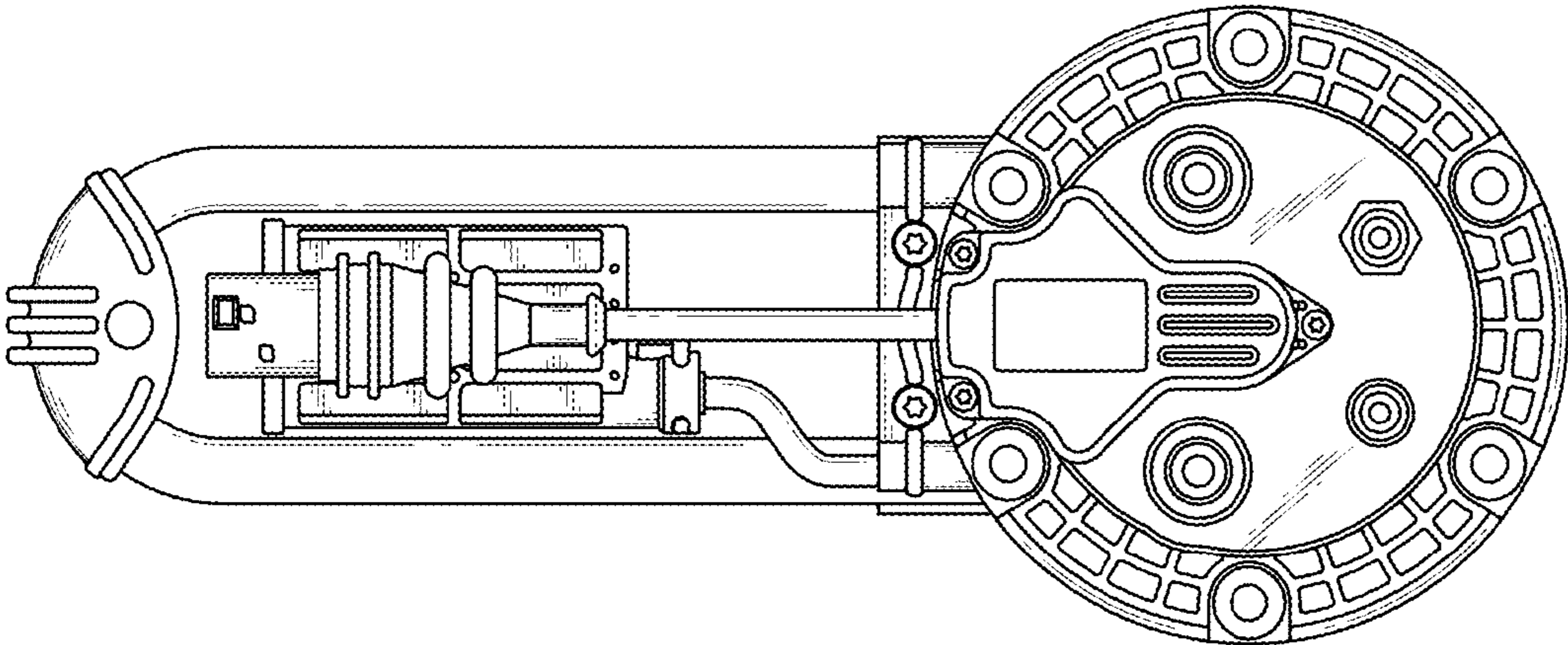


FIG. 6

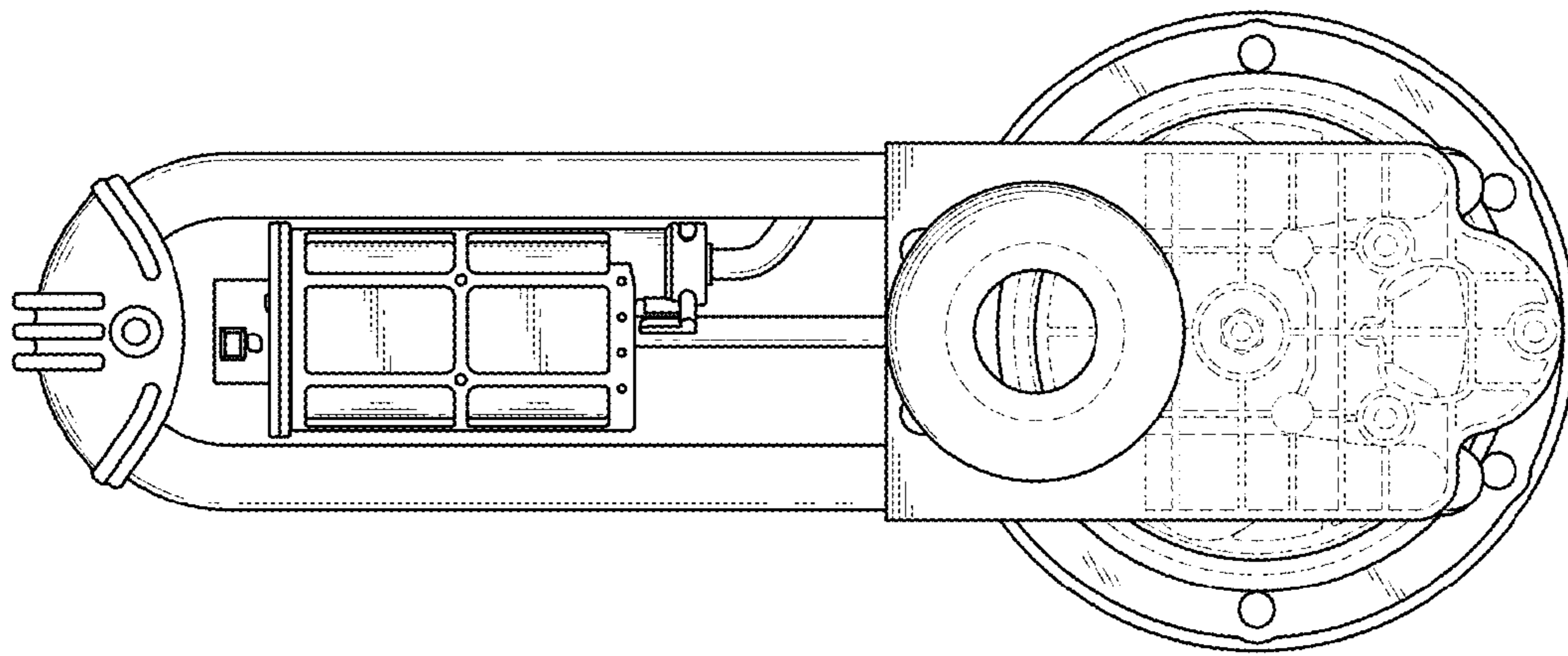


FIG. 7