



US00D750236S

(12) **United States Design Patent**  
**Maurice**

(10) **Patent No.:** **US D750,236 S**

(45) **Date of Patent:** **\*\* Feb. 23, 2016**

(54) **ENDOSCOPE CONNECTOR**

(71) Applicant: **ERBE-USA, Inc.**, Marietta, GA (US)

(72) Inventor: **Daniel G. Maurice**, Monument Beach, MA (US)

(73) Assignee: **ERBE-USA, Inc.**, Marietta, GA (US)

(\*\*) Term: **14 Years**

(21) Appl. No.: **29/485,453**

(22) Filed: **Mar. 19, 2014**

(51) **LOC (10) Cl.** ..... **24-02**

(52) **U.S. Cl.**  
USPC ..... **D24/129**

(58) **Field of Classification Search**  
USPC ..... D24/127, 128, 129, 130, 131, 138, 108,  
D24/137; 600/101, 104, 164; 606/46  
See application file for complete search history.

(56) **References Cited**

U.S. PATENT DOCUMENTS

D239,025	S	*	3/1976	D'Alo	.....	D24/129
D245,921	S	*	9/1977	Beran	.....	D23/262
D271,618	S	*	11/1983	Nishigaki	.....	D24/138
D302,729	S	*	8/1989	Stephens	.....	D24/129
5,151,101	A	*	9/1992	Grossi et al.	.....	606/46
D340,316	S	*	10/1993	Zdrok	.....	D24/110.5
D472,630	S	*	4/2003	Douglas	.....	D24/108
D496,998	S	*	10/2004	Pajunk	.....	D24/129
D612,496	S	*	3/2010	Bennison	.....	D24/138
D613,403	S	*	4/2010	Poll et al.	.....	D24/138
D624,181	S	*	9/2010	Harata et al.	.....	D24/129
D636,079	S	*	4/2011	Lepold et al.	.....	D24/129
D652,923	S	*	1/2012	Kennedy et al.	.....	D24/138
D657,870	S	*	4/2012	Becker	.....	D24/138

8,152,790	B2	*	4/2012	Lopez et al.	.....	604/533
8,206,375	B2	*	6/2012	Snow	.....	604/533
D676,544	S	*	2/2013	Blocher	.....	D24/108
D678,521	S	*	3/2013	Mort et al.	.....	D24/129
D693,465	S	*	11/2013	Koehler et al.	.....	D24/138
D712,014	S	*	8/2014	Guest	.....	D23/262
D717,432	S	*	11/2014	Leroy et al.	.....	D24/138
D719,650	S	*	12/2014	Arinobe et al.	.....	D24/130
D732,664	S	*	6/2015	Woehr et al.	.....	D24/130
2010/0125164	A1	*	5/2010	LaBombard	.....	600/104
2012/0088974	A1	*	4/2012	Maurice	.....	600/157

\* cited by examiner

*Primary Examiner* — Ian Simmons

*Assistant Examiner* — Samantha Q Lawrence

(74) *Attorney, Agent, or Firm* — Cooley LLP

(57) **CLAIM**

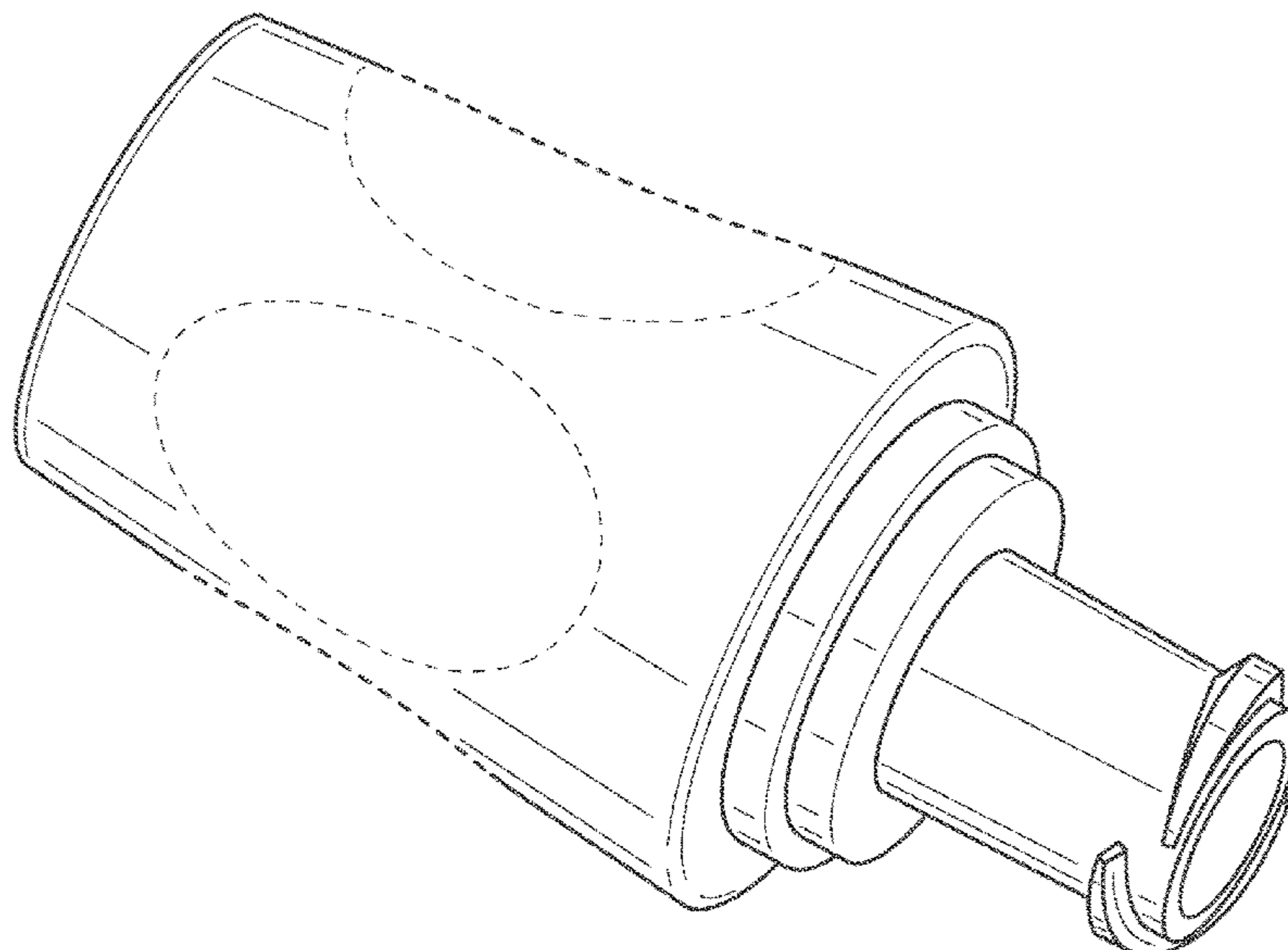
The ornamental design for an endoscope connector, as shown and described.

**DESCRIPTION**

FIG. 1 is a perspective view of an endoscope connector;  
FIG. 2 is a second perspective view thereof;  
FIG. 3 is a front view thereof;  
FIG. 4 is a rear view thereof;  
FIG. 5 is a top view thereof;  
FIG. 6 is a bottom view thereof;  
FIG. 7 is a left view thereof; and,  
FIG. 8 is a right side view thereof.

The broken lines shown in FIGS. 1-7 immediately adjacent to the shaded areas illustrate the bounds of the claimed design and form no part of the claimed design. The broken lines shown in FIGS. 7 and 8 illustrate portions of the endoscope connector that form no part of the claimed design.

**1 Claim, 5 Drawing Sheets**



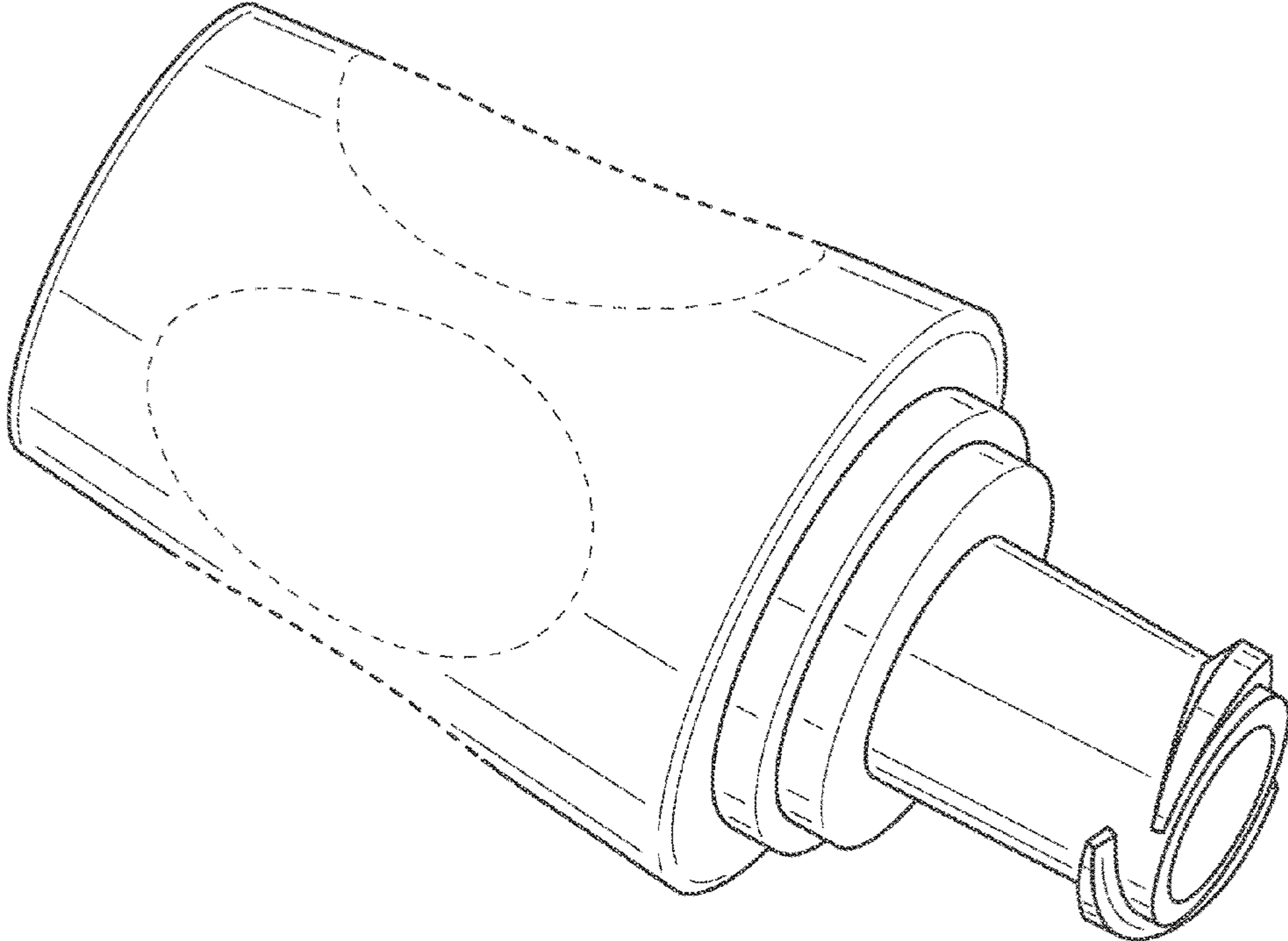


FIG. 1

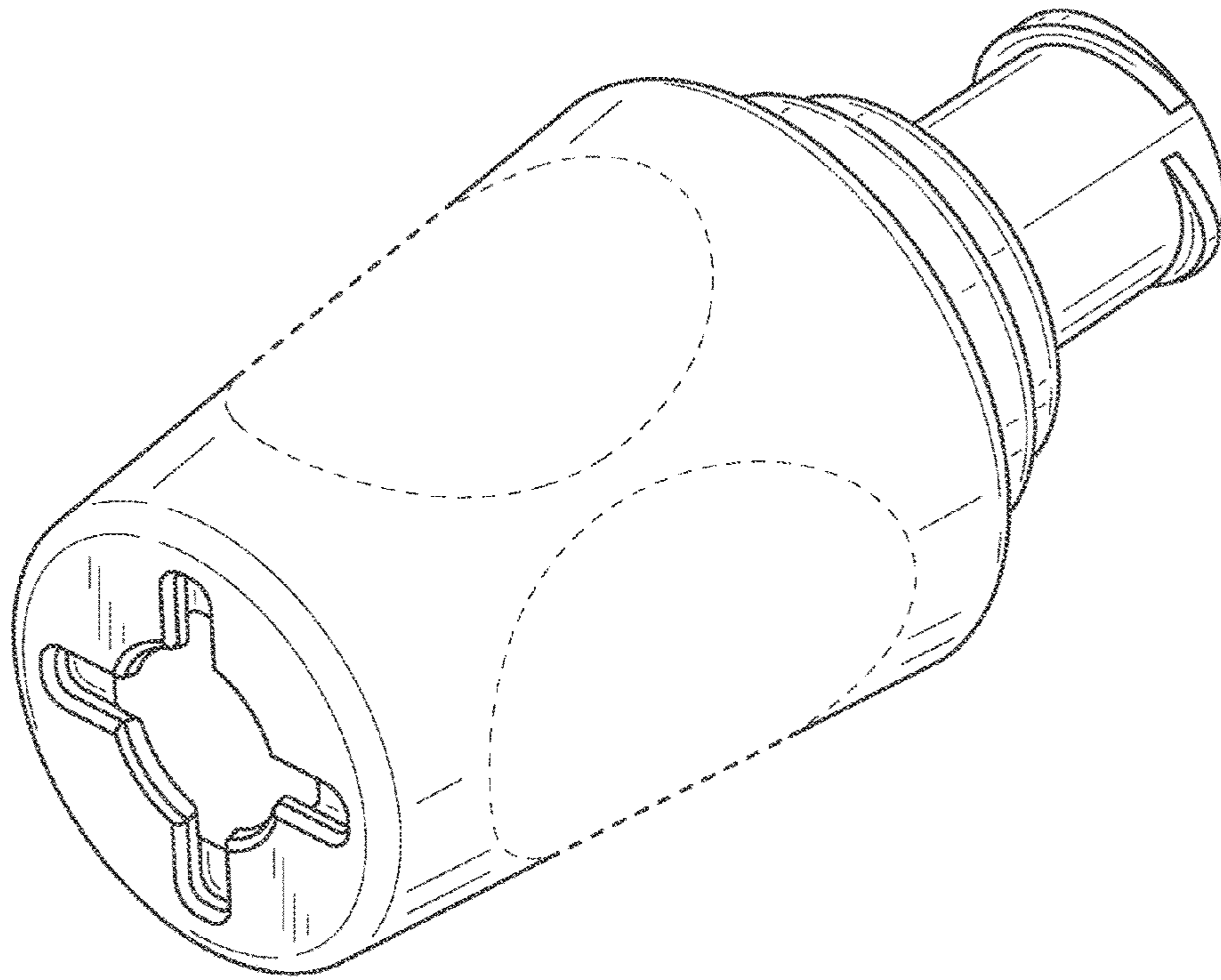


FIG. 2

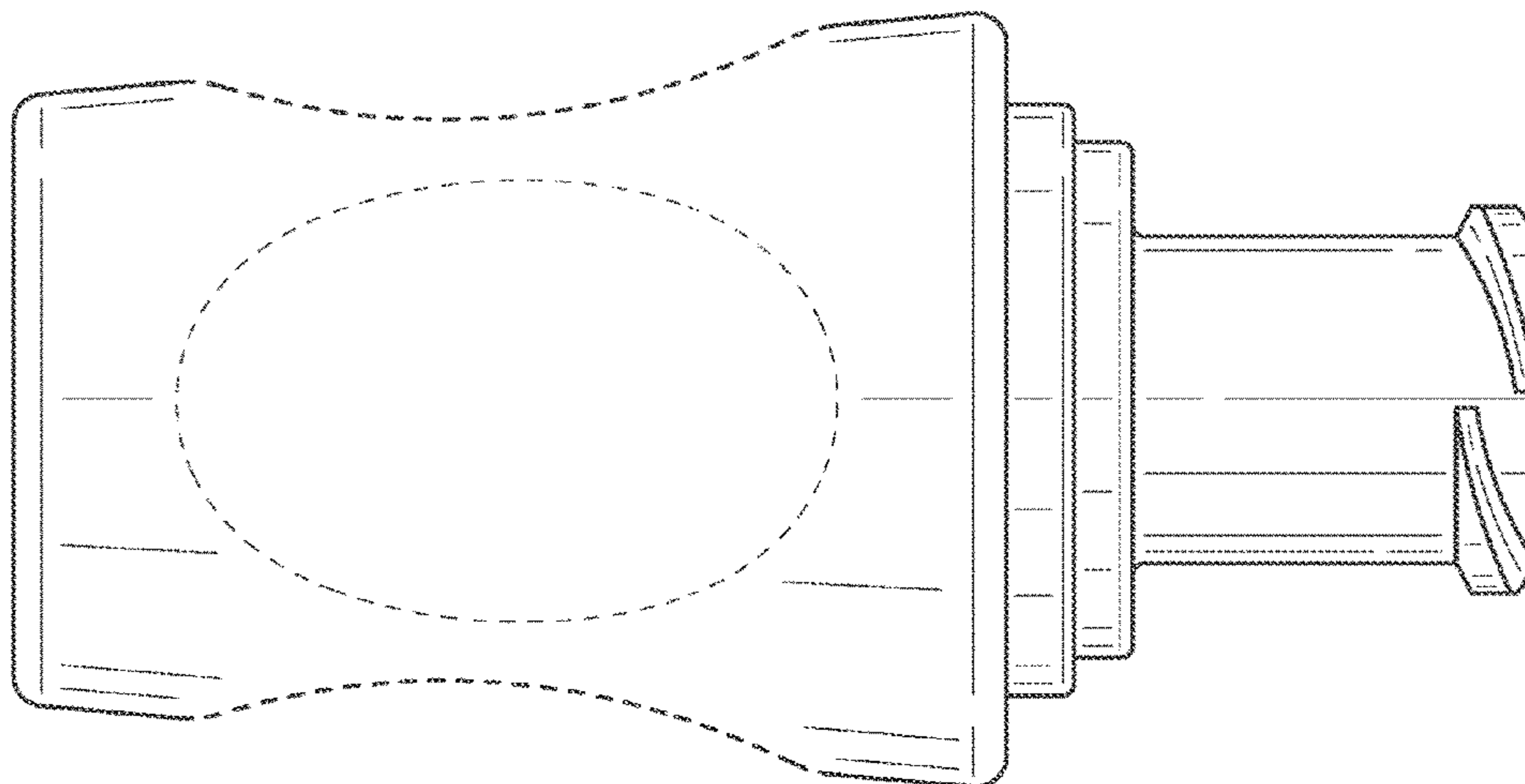


FIG. 3

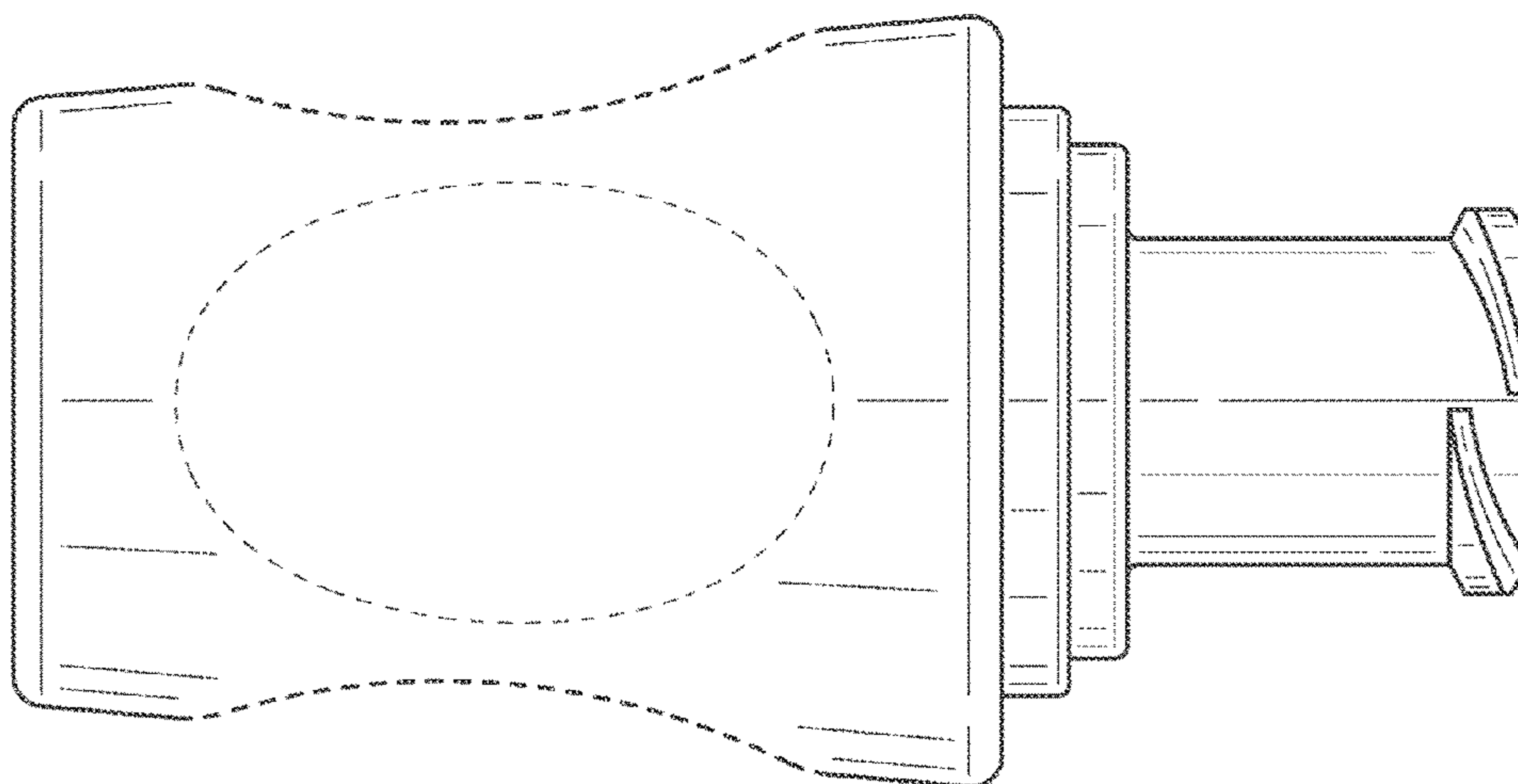


FIG. 4

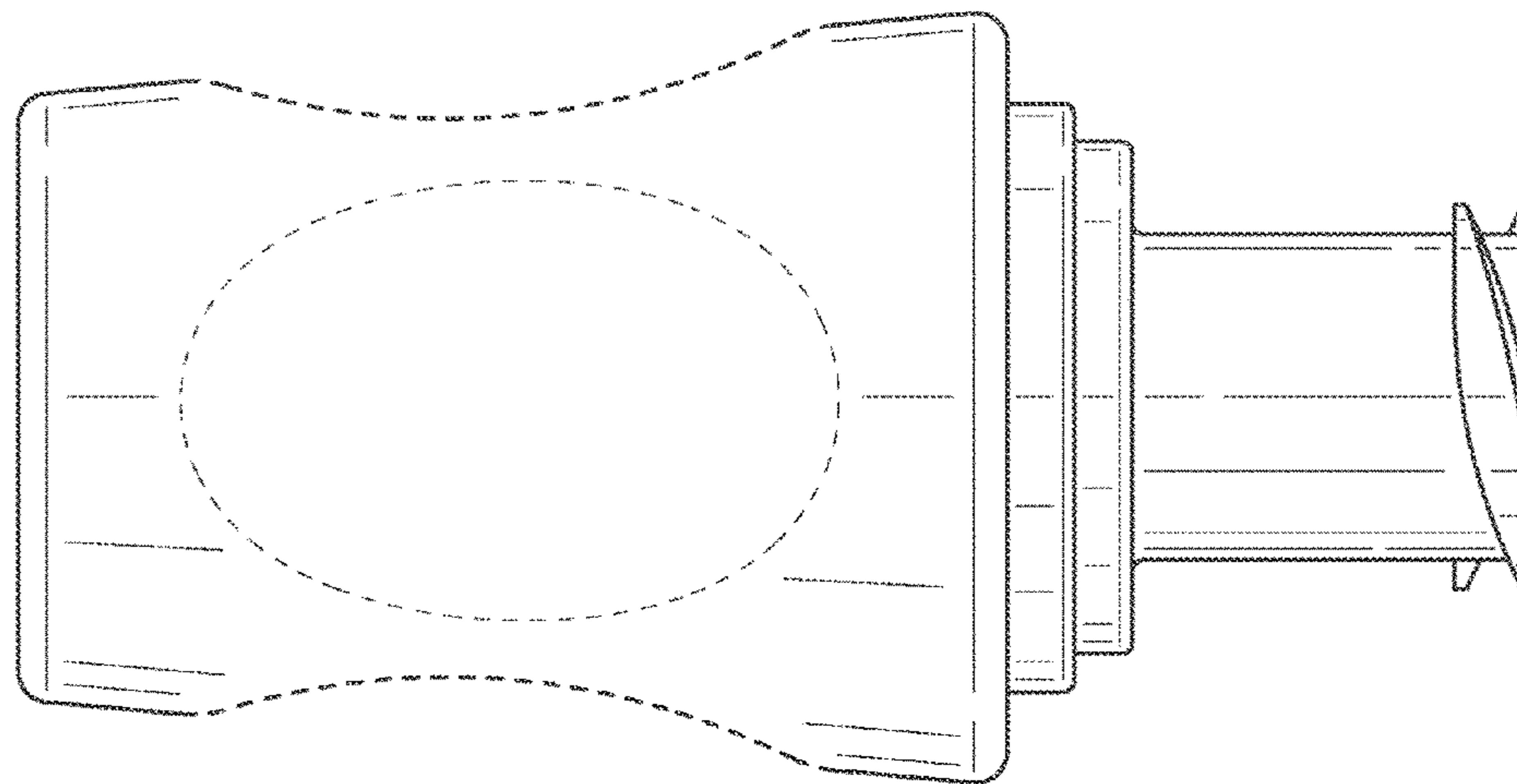


FIG. 5

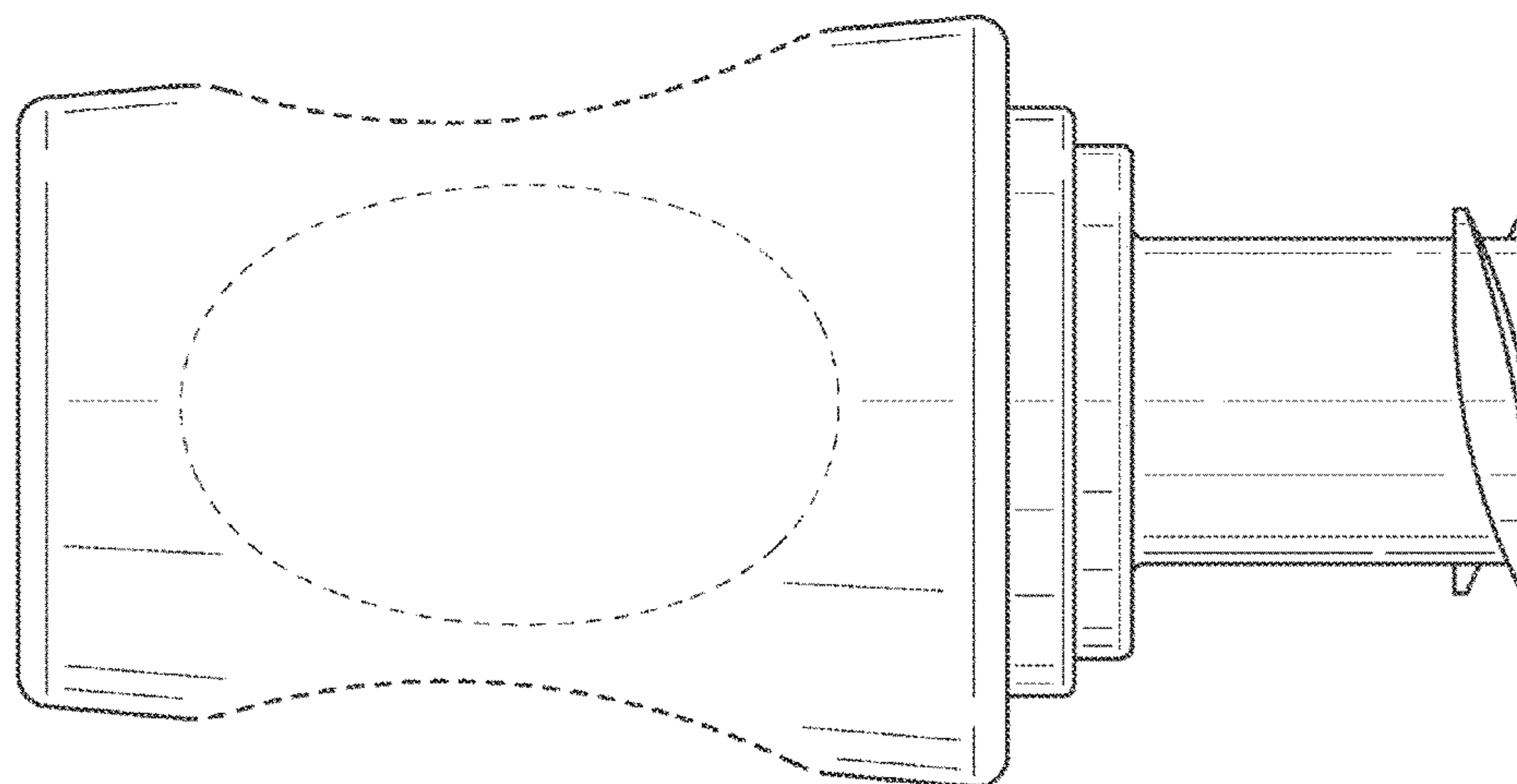


FIG. 6

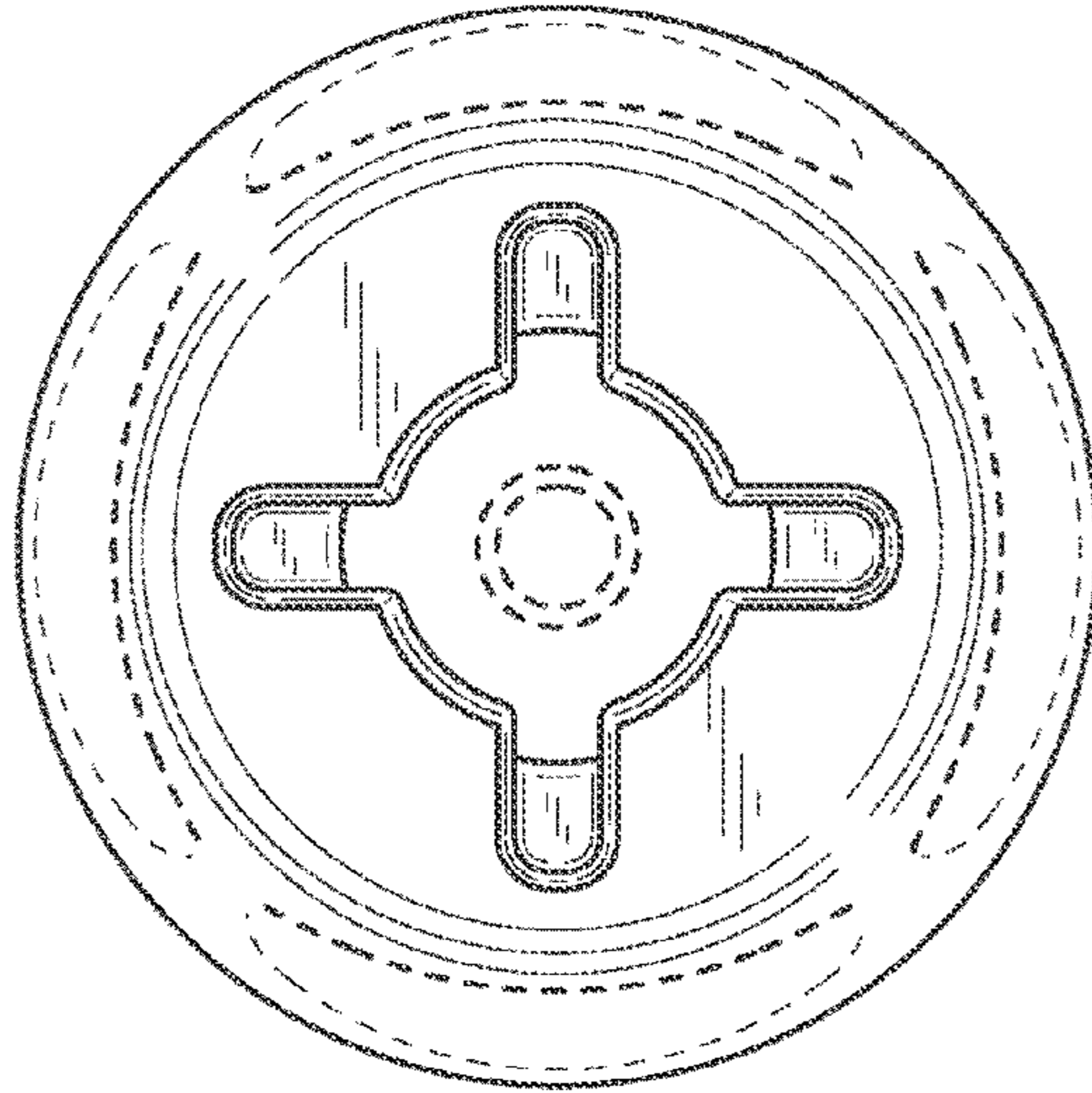


FIG. 7

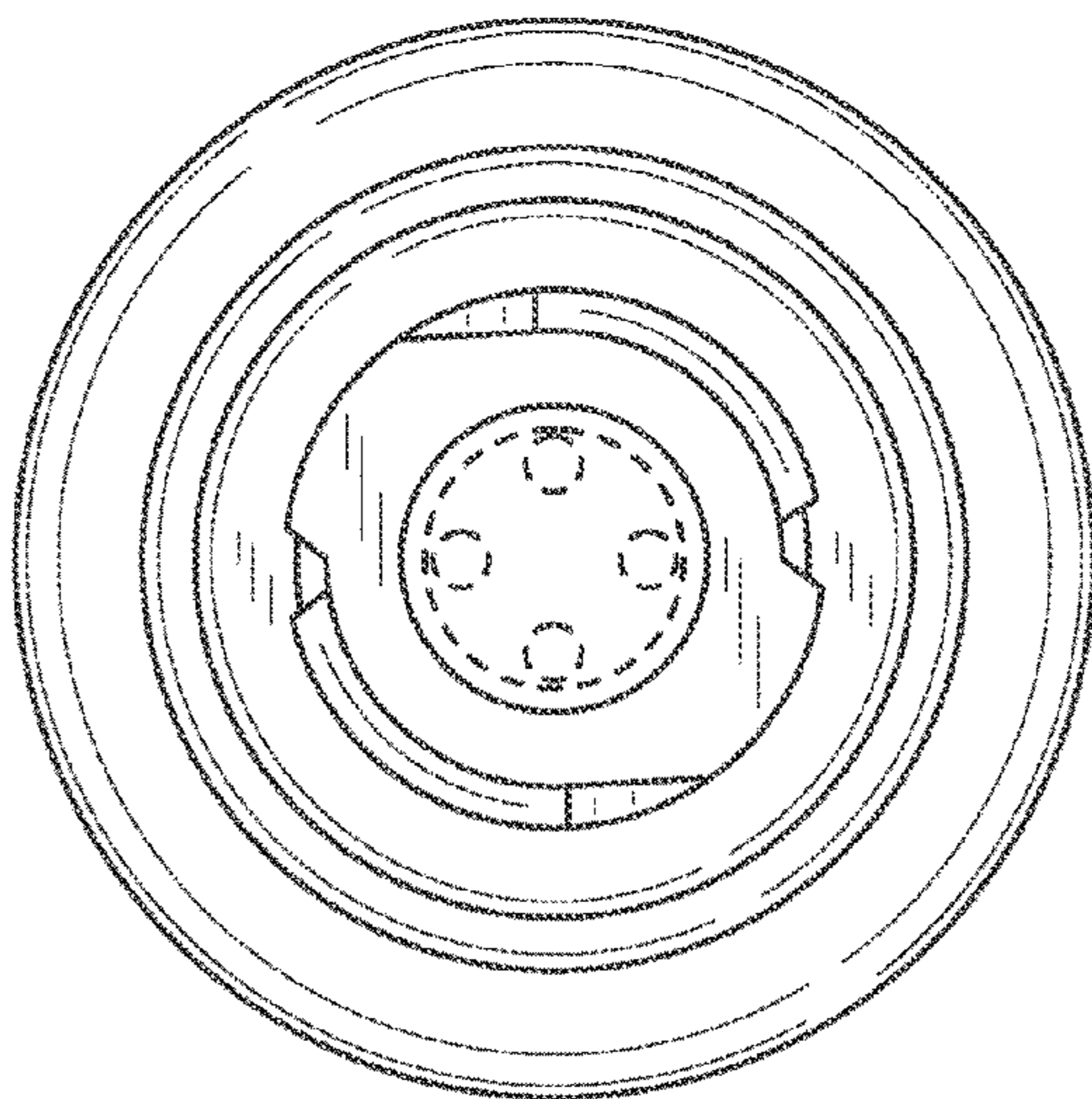


FIG. 8