



US00D750228S

(12) **United States Design Patent**
Strong et al.

(10) **Patent No.:** **US D750,228 S**

(45) **Date of Patent:** **** Feb. 23, 2016**

(54) **PISTON FOR A LIQUID DISPENSING SYRINGE**

(56) **References Cited**

U.S. PATENT DOCUMENTS

(71) Applicant: **Nordson Corporation**, Westlake, OH (US)
(72) Inventors: **Warren N. Strong**, Hope, RI (US); **Michael A. Vidal**, North Attleboro, MA (US)
(73) Assignee: **NORDSON CORPORATION**, Westlake, OH (US)

1,948,982 A 2/1934 Cutter
2,830,586 A 4/1958 Dann et al.
2,952,255 A 9/1960 Hein, Jr.
3,149,717 A 9/1964 Castelli
3,237,815 A 3/1966 Ogle
3,331,538 A 7/1967 Higgins
4,067,332 A 1/1978 O'Leary
4,231,494 A 11/1980 Greenwood
4,266,557 A 5/1981 Merry
D262,739 S 1/1982 Nitshke

(Continued)

(**) Term: **15 Years**

FOREIGN PATENT DOCUMENTS

(21) Appl. No.: **29/536,959**

GB 2020254 11/1979
JP 5-208157 A 8/1993

(22) Filed: **Aug. 20, 2015**

(Continued)

OTHER PUBLICATIONS

Related U.S. Application Data

Japanese Patent Application No. 10-2008-7029779, Korean Patent Office Notice of Preliminary Rejection dated Jan. 27, 2014.

(60) Division of application No. 29/465,060, filed on Aug. 23, 2013, now Pat. No. Des. 738,495, which is a continuation of application No. 11/761,678, filed on Jun. 12, 2007.

(Continued)

(51) **LOC (10) Cl.** **24-02**

Primary Examiner — David Muller

(52) **U.S. Cl.**

(74) *Attorney, Agent, or Firm* — Baker & Hostetler LLP

USPC **D24/127**

(57) **CLAIM**

(58) **Field of Classification Search**

The ornamental design for a piston for a liquid dispensing syringe, as shown and described.

USPC D24/127–131, 112–114, 133, 186; 606/181, 185; 604/264, 272, 115, 232, 604/187, 158, 164.08, 192, 263, 163, 181, 604/184, 198, 227; 600/101, 139, 143; 128/200.24, 207.14, 207.15

DESCRIPTION

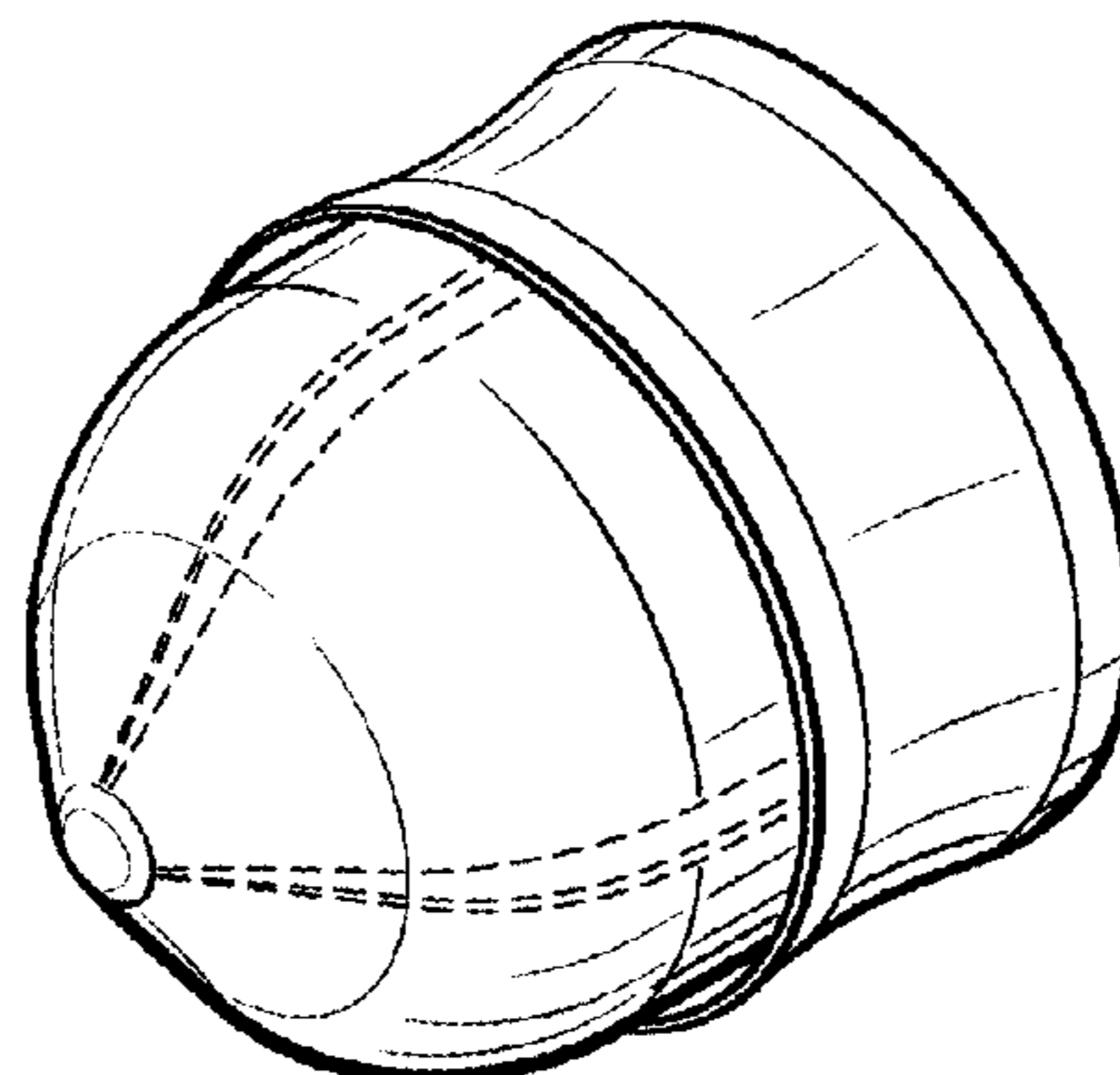
CPC A61M 5/178; A61M 3/00; A61M 5/20; A61M 5/31; A61M 5/3146; A61M 5/3129; A61M 5/3148; A61M 5/315

FIG. 1 is a perspective view of a piston for a liquid dispensing syringe; and, FIG. 2 is a side view of the piston for a liquid dispensing syringe of FIG. 1.

The broken lines in the figures are shown for the purpose of illustrating boundaries of the claimed design and the areas inside the broken line boundaries form no part of the claimed design.

See application file for complete search history.

1 Claim, 1 Drawing Sheet



(56)

References Cited

U.S. PATENT DOCUMENTS

4,708,270 A 11/1987 Ruesch
 D294,640 S 3/1988 Wichen et al.
 D302,206 S 7/1989 McAlister et al.
 D306,069 S 2/1990 Kelly et al.
 D321,759 S 11/1991 Buswell et al.
 5,086,780 A 2/1992 Schmitt
 5,098,416 A 3/1992 Imonti
 D338,957 S 8/1993 De Faire et al.
 5,238,003 A 8/1993 Baidwan et al.
 5,273,187 A 12/1993 Suzuki
 D345,016 S * 3/1994 Stamler D24/130
 5,322,440 A 6/1994 Steele
 5,338,307 A 8/1994 Stephens et al.
 5,496,285 A 3/1996 Schumacher et al.
 5,509,903 A 4/1996 Grendahl et al.
 5,531,710 A 7/1996 Dang et al.
 D375,358 S * 11/1996 Clark D24/133
 D383,538 S * 9/1997 Erskine D24/130
 D385,628 S * 10/1997 Echevarria D24/112
 5,752,936 A 5/1998 Chen
 D401,324 S 11/1998 Hjertman et al.
 5,833,628 A * 11/1998 Yuan A61B 10/025
 600/567
 D405,232 S * 2/1999 Stevens D24/133
 D417,275 S * 11/1999 Conforti D24/130
 D429,812 S 8/2000 Hjertman et al.
 D431,864 S 10/2000 Jansen
 D447,797 S 9/2001 Odell et al.
 D447,799 S 9/2001 Jun
 6,296,625 B1 10/2001 Vetter et al.
 D465,024 S * 10/2002 Henderson D24/133
 D486,225 S * 2/2004 Gay, III D24/109
 D495,050 S * 8/2004 Guala D24/108
 6,942,638 B1 9/2005 Quinn
 6,984,222 B1 1/2006 Hitchins et al.
 7,070,581 B2 7/2006 Manera et al.

D543,278 S 5/2007 Numata et al.
 7,361,162 B2 4/2008 Koller et al.
 7,775,990 B2 * 8/2010 DeHart A61B 5/1411
 600/573
 8,454,708 B2 * 6/2013 Kutsko A61B 17/12022
 128/200.24
 D692,143 S * 10/2013 Shahidi Bonjar D24/112
 2001/0021823 A1 9/2001 Nemoto
 2002/0043539 A1 4/2002 Pagel et al.
 2003/0015557 A1 1/2003 D'Aiessio et al.
 2004/0039341 A1 2/2004 Ranalletta
 2004/0122367 A1 6/2004 Sculati
 2004/0260248 A1 12/2004 Koller et al.
 2005/0029306 A1 2/2005 Brennan
 2006/0069356 A1 3/2006 Witowski
 2006/0089594 A1 4/2006 Landau
 2007/0000951 A1 1/2007 Springhom

FOREIGN PATENT DOCUMENTS

JP 7-204557 A 8/1995
 JP 8-105197 A 4/1996
 JP 8-266624 A 10/1996
 JP 10-118556 A 5/1998

OTHER PUBLICATIONS

Japanese Patent Application No. 2009-515601, Japanese Patent Office Action dated Nov. 6, 2012, 7 pages.
 European Patent Application No. 10 15 5573, European Patent Office Extended Search Report dated Jul. 23, 2010, 5 pages.
 PCT Application No. PCT/US2007/070971, European Patent Office International Search Report and Written Opinion dated Nov. 6, 2007.
 PCT Application No. PCT/US2007/070971, European Patent Office Invitation to Pay Additional Fees and Partial Search Report dated Nov. 29, 2007.

* cited by examiner

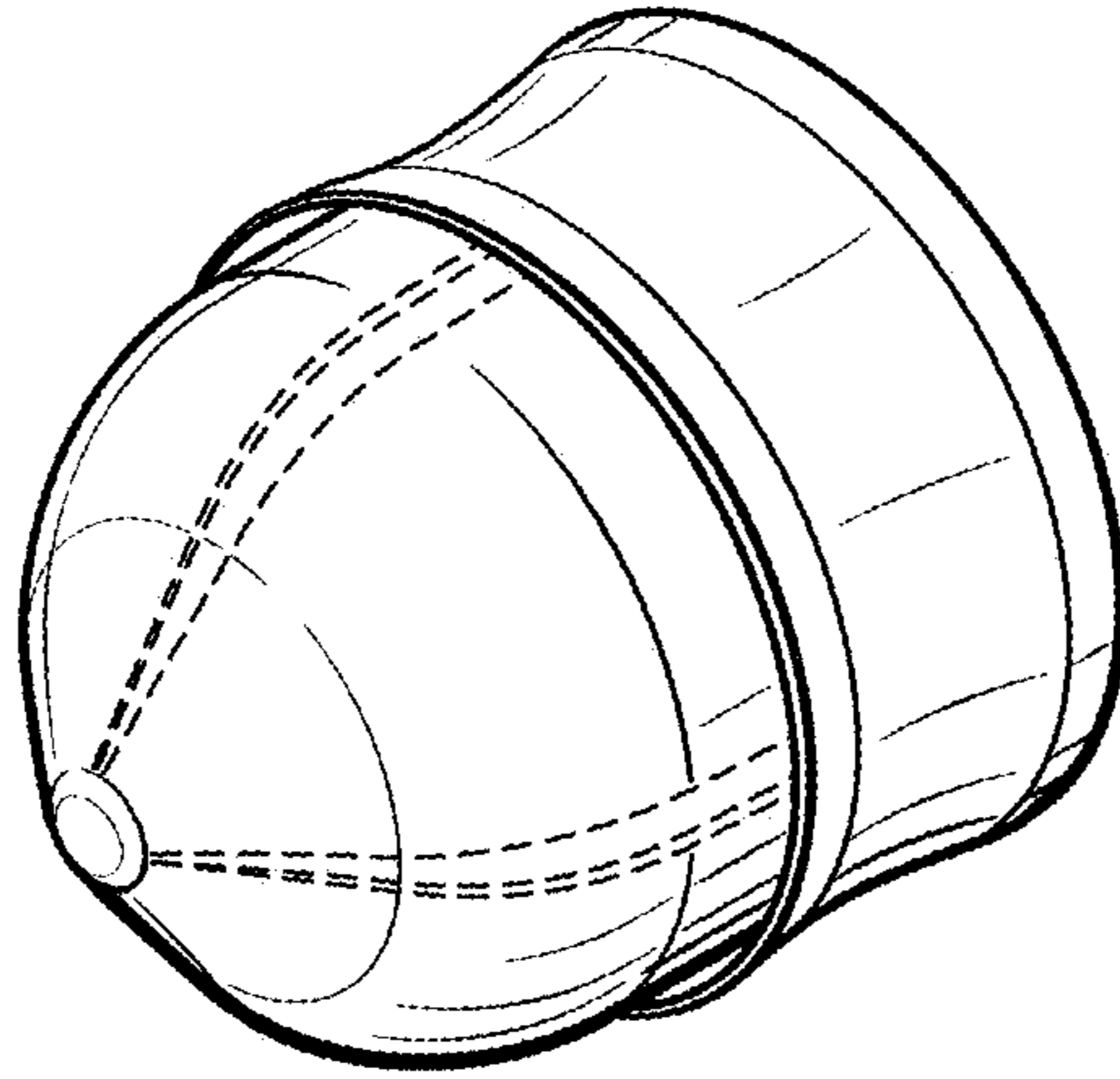


FIG. 1

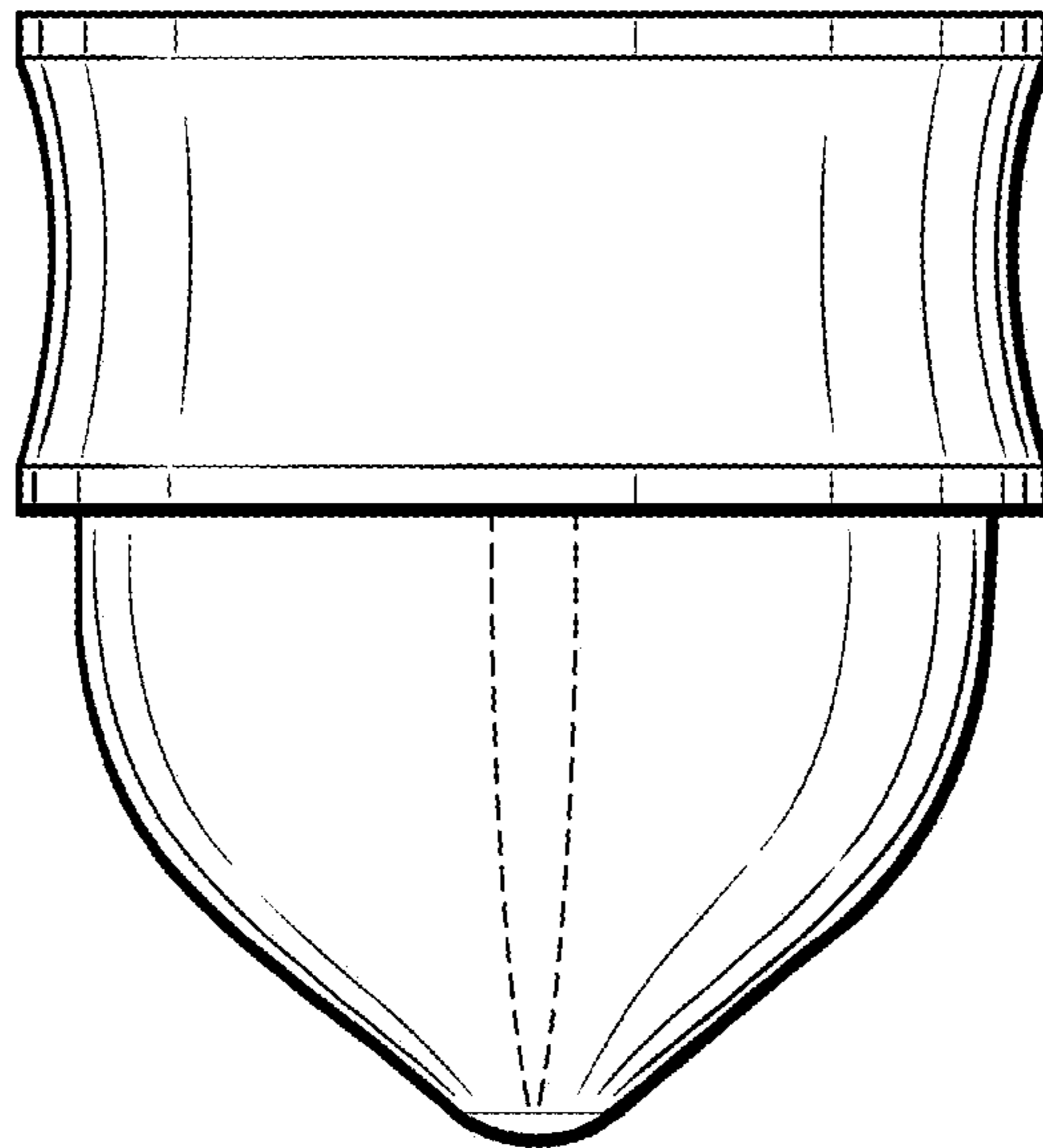


FIG. 2