



US00D750225S

(12) **United States Design Patent**  
**Rabe et al.**

(10) **Patent No.:** **US D750,225 S**  
(45) **Date of Patent:** **\*\* Feb. 23, 2016**

(54) **COSMETIC DEVICE IN CHARGING STATION**

- (71) Applicant: **The Procter & Gamble Company**, Cincinnati, OH (US)
- (72) Inventors: **Thomas Elliott Rabe**, Baltimore, MD (US); **Faiz Feisal Sherman**, Mason, OH (US)
- (73) Assignee: **The Procter & Gamble Company**, Cincinnati, OH (US)

- (\*\*) Term: **14 Years**
- (21) Appl. No.: **29/506,855**
- (22) Filed: **Oct. 21, 2014**

**Related U.S. Application Data**

- (63) Continuation-in-part of application No. 29/493,367, filed on Jun. 9, 2014.
- (51) **LOC (10) Cl.** ..... **24-02**
- (52) **U.S. Cl.**  
USPC ..... **D24/119**
- (58) **Field of Classification Search**  
USPC ..... D24/119, 108, 133, 144, 146, 188, 200, D24/201, 206, 207, 209, 211, 214, 215; 601/2, 15, 17, 18, 80, 84, DIG. 22; D28/7; D9/723, 727  
CPC ..... A61B 5/44; A61B 5/444; A61B 5/445; A61B 2018/00452; A61B 2018/0047; A61B 5/441; A61B 5/442; A61B 5/443; A61M 35/00; A61M 35/003; A61N 5/0616; A61N 2005/0635; A61N 2005/0643; A61N 2005/0644; A45D 34/00; A45D 2034/005; A45D 40/00; A45D 40/0068; A45D 40/0075  
See application file for complete search history.

(56) **References Cited**

U.S. PATENT DOCUMENTS

- 3,971,229 A \* 7/1976 Privas ..... A61B 18/02 62/3.62
- D243,720 S \* 3/1977 Yajima ..... D28/51
- D425,241 S \* 5/2000 Nishizawa ..... D28/9
- D433,752 S \* 11/2000 Saravia ..... D24/144
- D434,181 S \* 11/2000 Watanabe ..... D28/9
- 6,312,124 B1 11/2001 Esormeaux
- D454,695 S \* 3/2002 Greene ..... D13/108
- D621,950 S \* 8/2010 Seki ..... D24/107
- 7,890,152 B2 2/2011 Edgar

(Continued)

FOREIGN PATENT DOCUMENTS

- EM 002432773-0001 \* 10/2014
- FR 2933585 B1 1/2010

(Continued)

*Primary Examiner* — Bridget L Eland  
*Assistant Examiner* — Lauren McVey

(74) *Attorney, Agent, or Firm* — S. Robert Chuey

(57) **CLAIM**

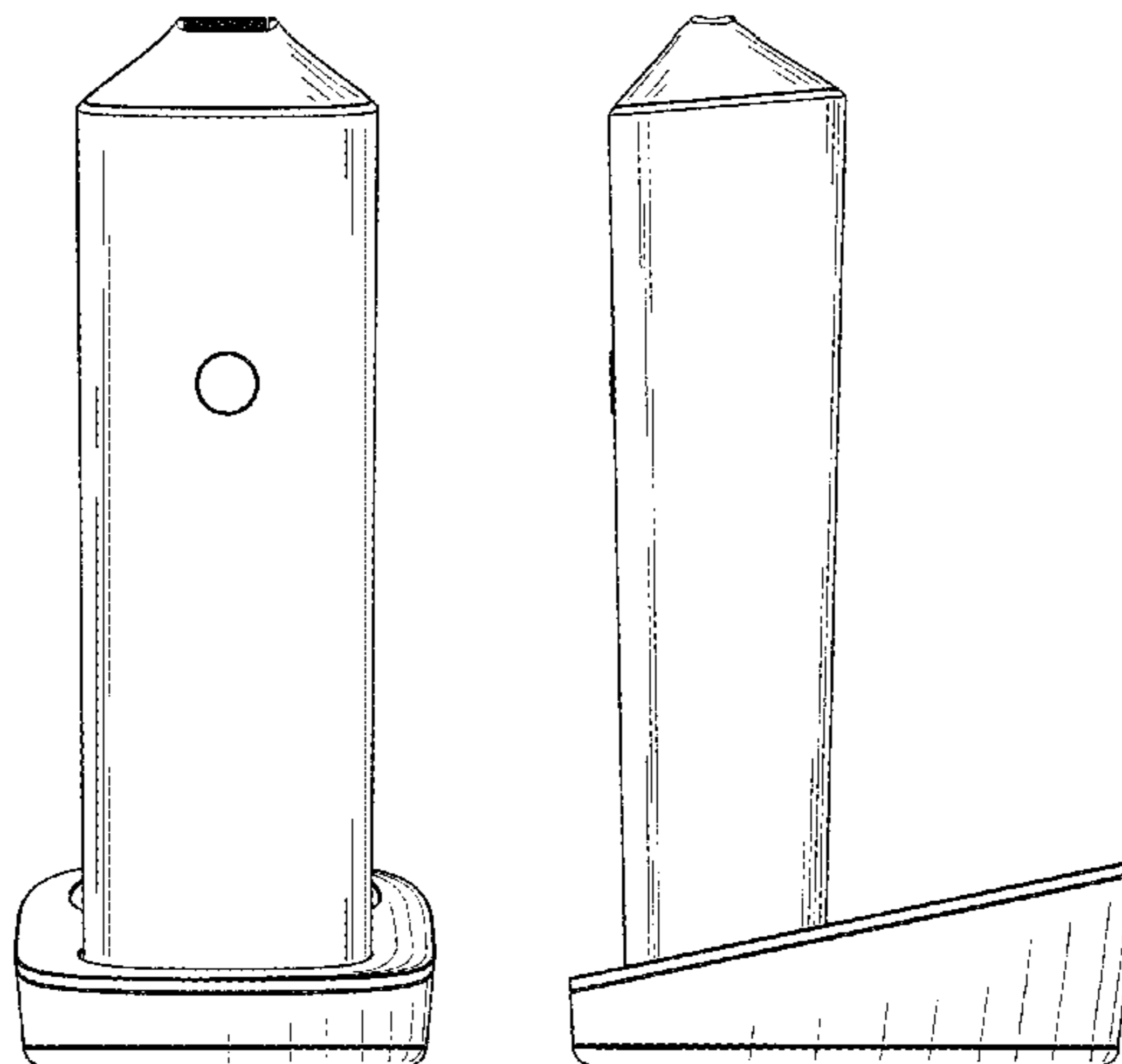
The ornamental design for cosmetic device in charging station, as shown and described.

**DESCRIPTION**

FIG. 1 is a top view of a cosmetic device in charging station, showing our new design;  
 FIG. 2 is bottom view thereof;  
 FIG. 3 is a front view thereof;  
 FIG. 4 is a back view thereof;  
 FIG. 5 is a first side view thereof;  
 FIG. 6 is a second side view thereof; and,  
 FIG. 7 is a perspective view thereof.

The broken lines immediately adjacent the claimed area represent the bounds of the claimed design while all other broken lines are directed to environment and are for illustrative purposes only; the broken lines form no part of the claimed design.

**1 Claim, 4 Drawing Sheets**



(56)

References Cited

FOREIGN PATENT DOCUMENTS

U.S. PATENT DOCUMENTS				JP		
				WO	2006297691 A	11/2006
8,007,062	B2	8/2011	Edgar	WO	WO0160274	8/2001
8,027,505	B2	9/2011	Edgar	WO	WO0201499	1/2002
8,184,901	B2	5/2012	Dgar	WO	WO2009036876	3/2009
D678,783	S *	3/2013	Wilcox .....	WO	WO2010004526	1/2010
D711,538	S *	8/2014	Youngquist .....	WO	WO2010004527	1/2010
D734,479	S *	7/2015	Youngquist .....	WO	WO2010004528	1/2010
			D24/119	WO	WO2010004529	1/2010
			D24/158	WO	WO2010004530	1/2010
2008/0194971	A1	8/2008	Edgar	WO	WO2010004531	1/2010
2009/0025747	A1	1/2009	Edgar	WO	WO2010004531	1/2010
2010/0065576	A1*	3/2010	Verheij .....	WO	WO2010077703	7/2010
			A45D 34/00	WO	WO2010083405	7/2010
			221/42	WO	WO2010083400	9/2010
2010/0224205	A1	9/2010	Mitra	WO	WO2010083402	9/2010
2010/0224209	A1	9/2010	Rabe et al.	WO	D085910-001	* 6/2015
2010/0224210	A1	9/2010	Rabe et al.	WO	D085911-001	* 6/2015
2011/0040235	A1*	2/2011	Castel .....			
			A61F 7/00			
			604/20			
2011/0270365	A1*	11/2011	Hamada .....			
			A61B 18/203			
			607/90			

\* cited by examiner

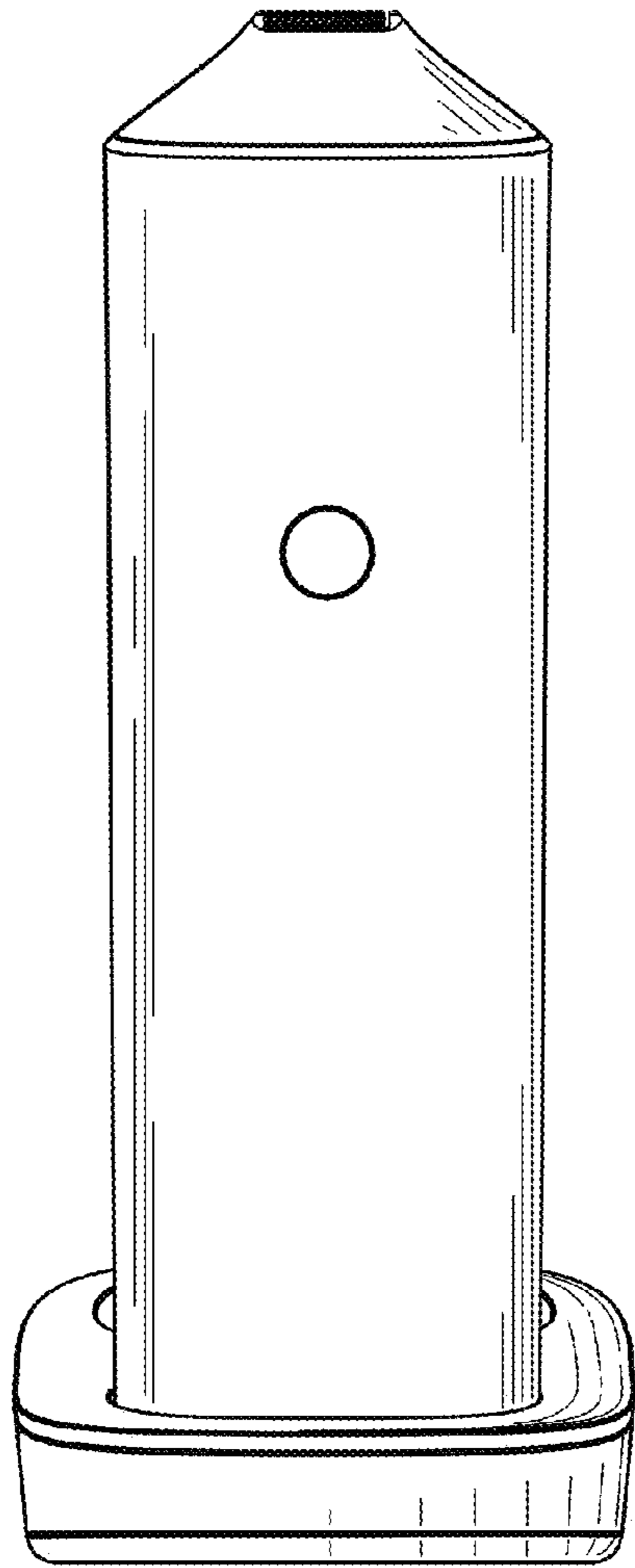


Fig. 1

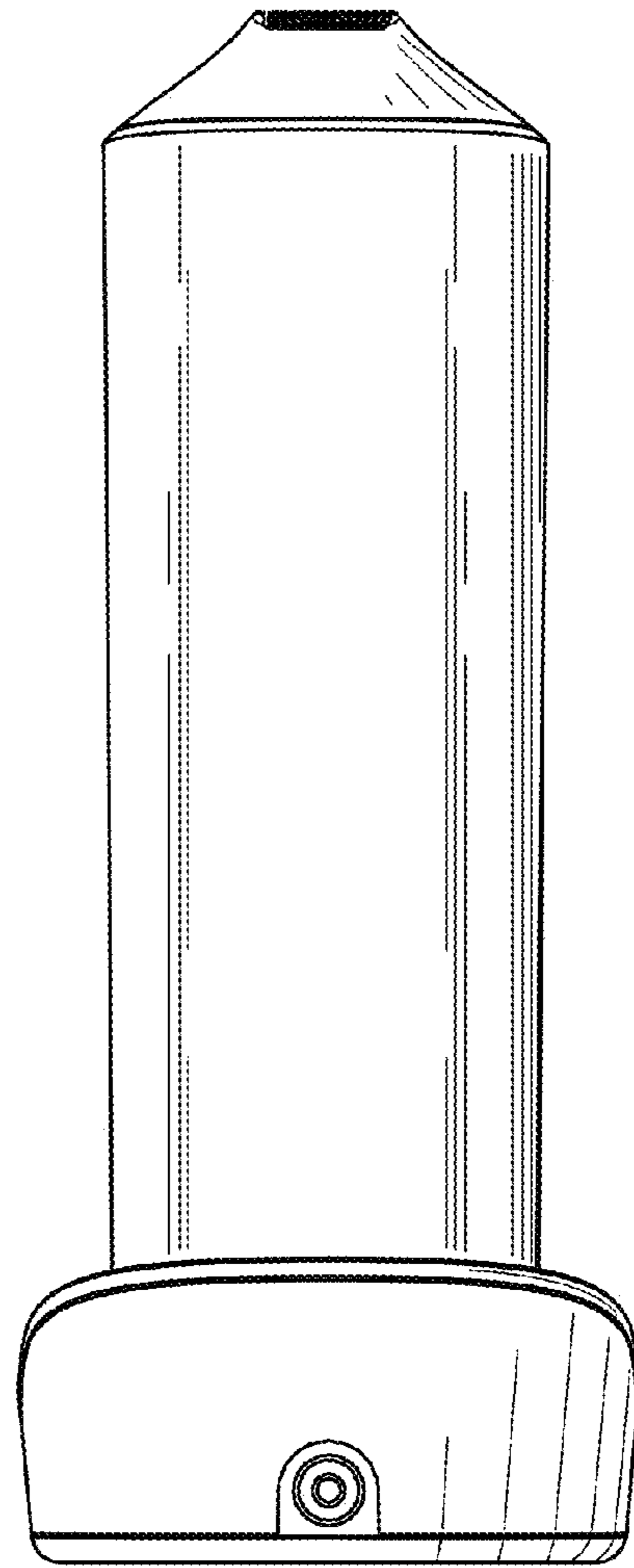


Fig. 2

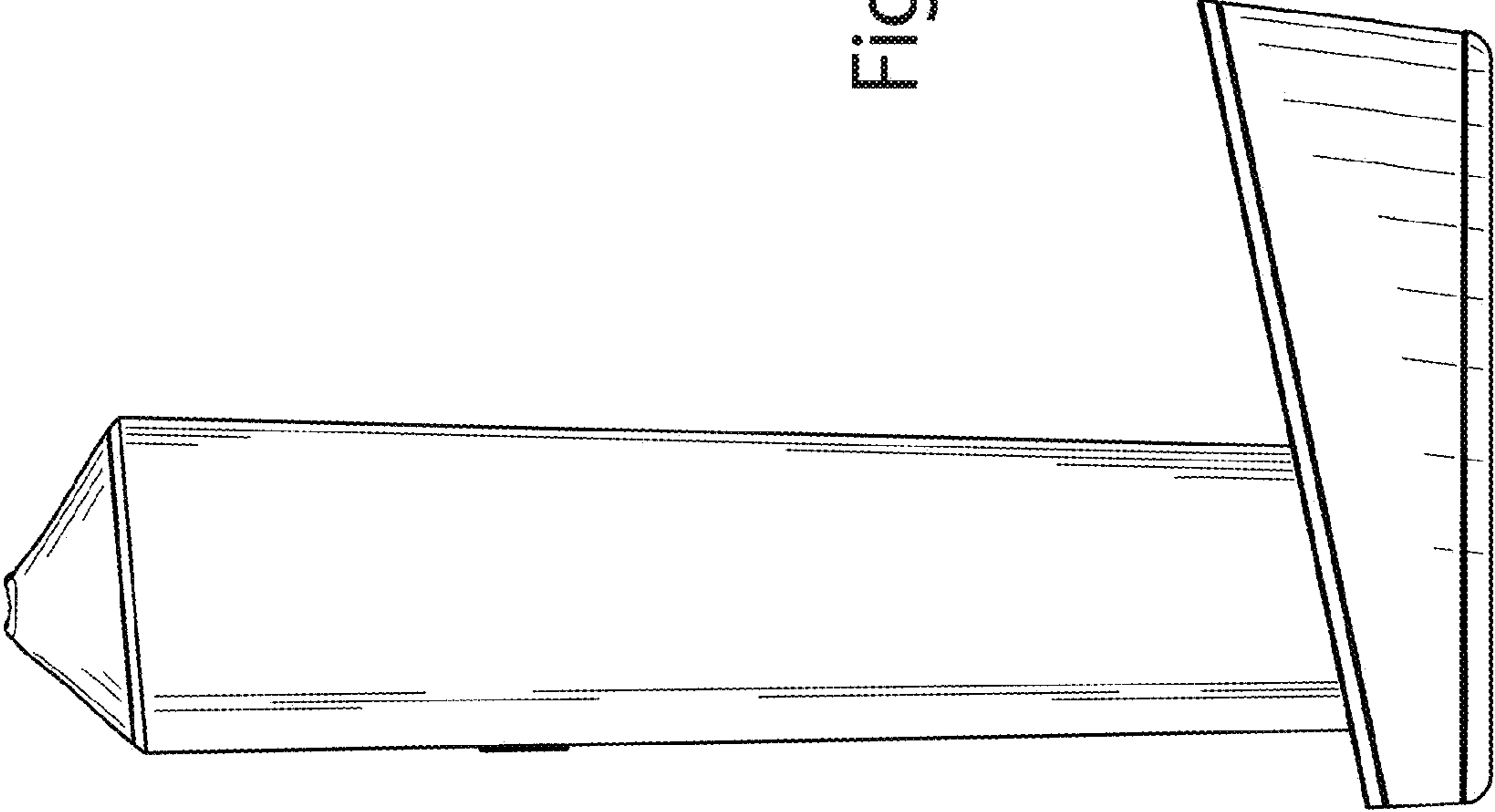


Fig. 4

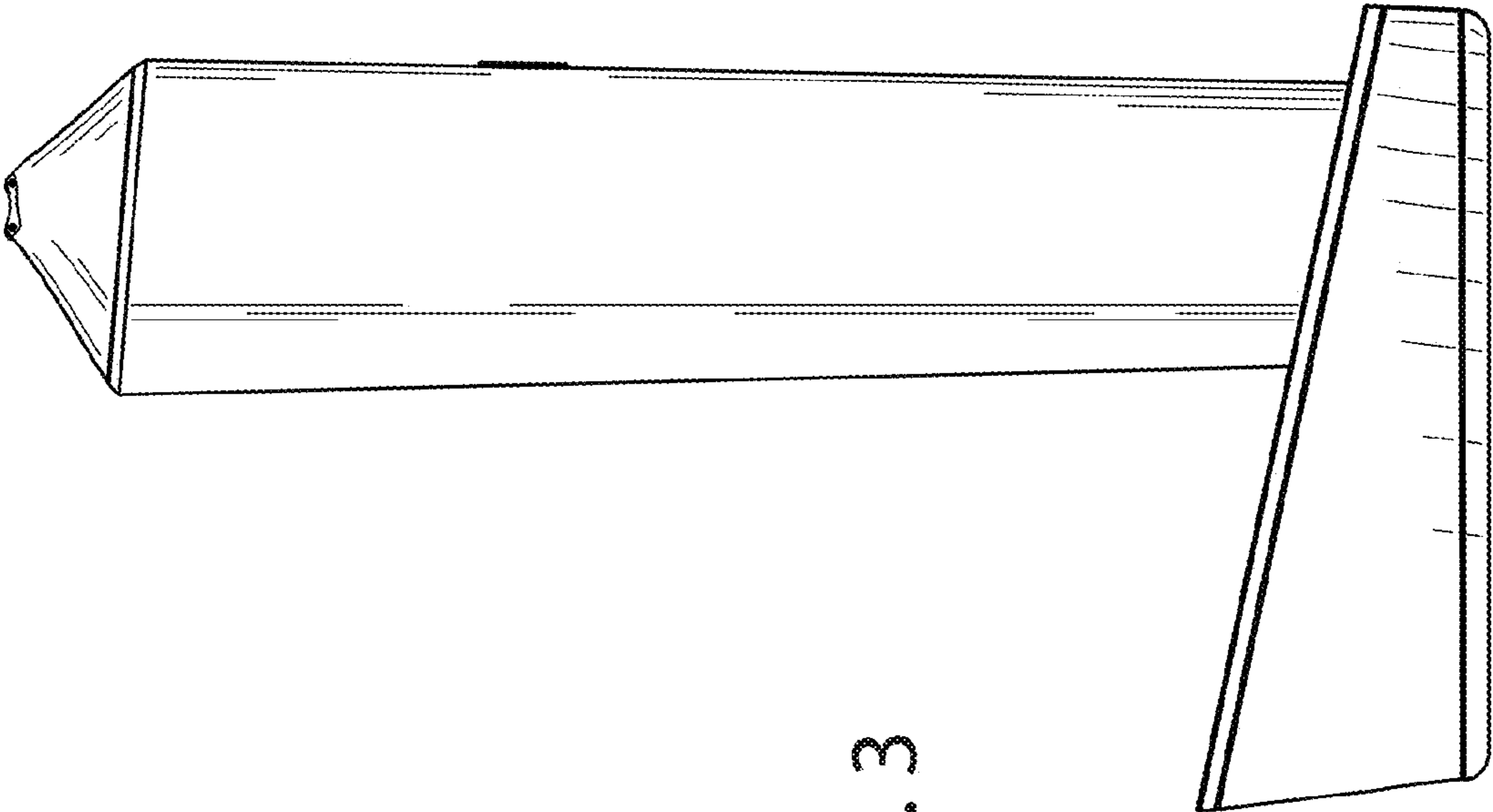


Fig. 3

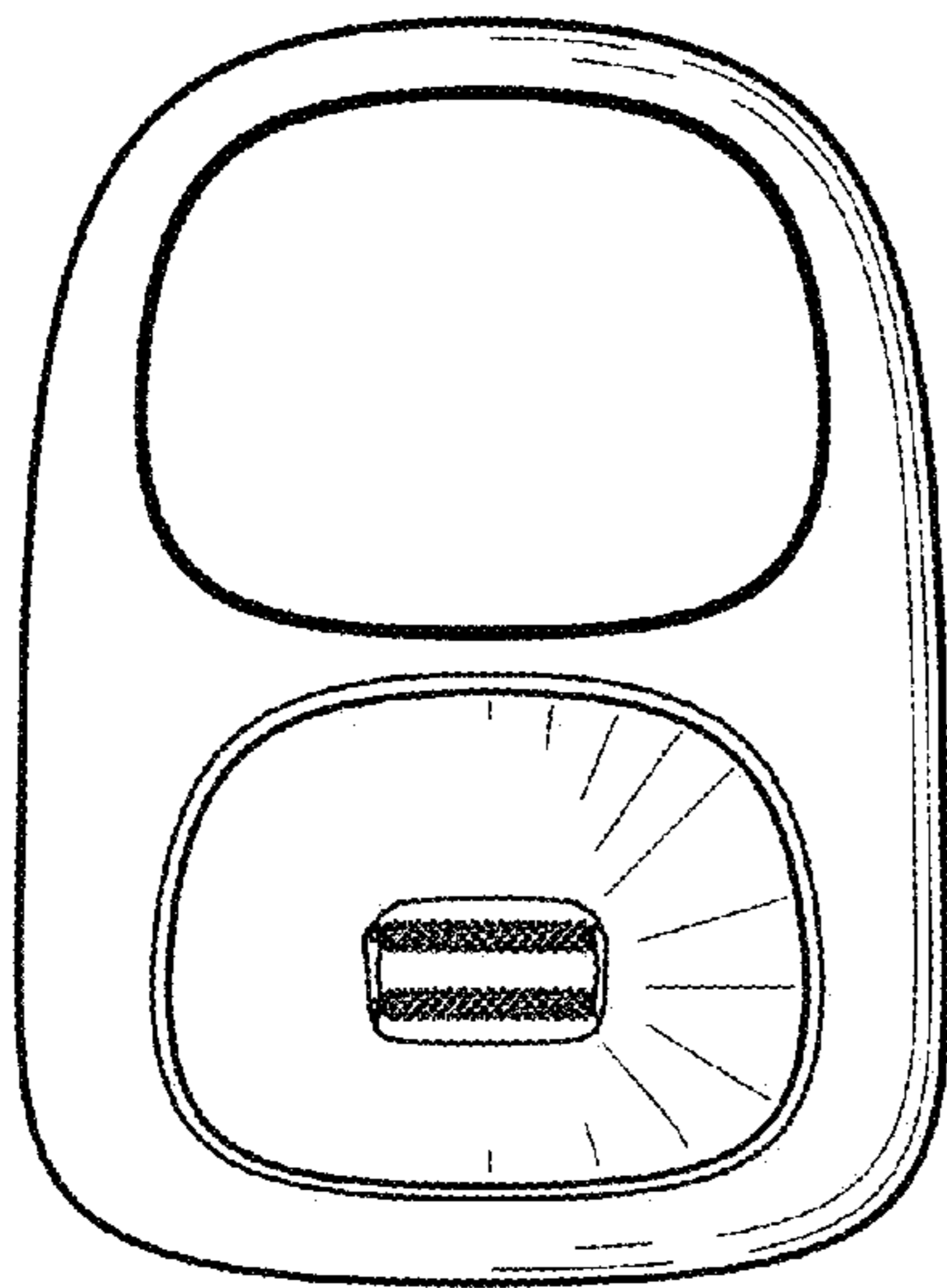


Fig. 5

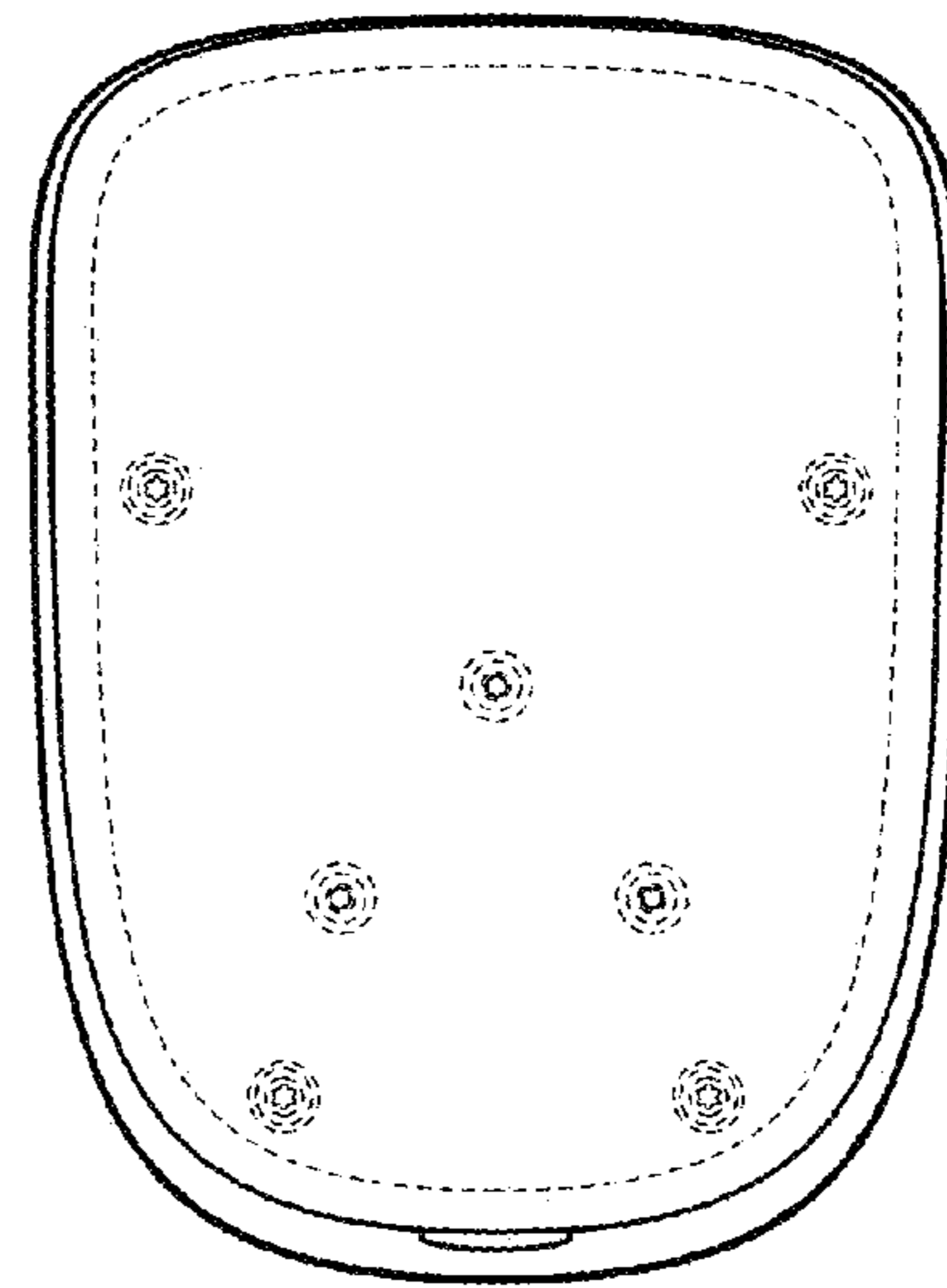


Fig. 6

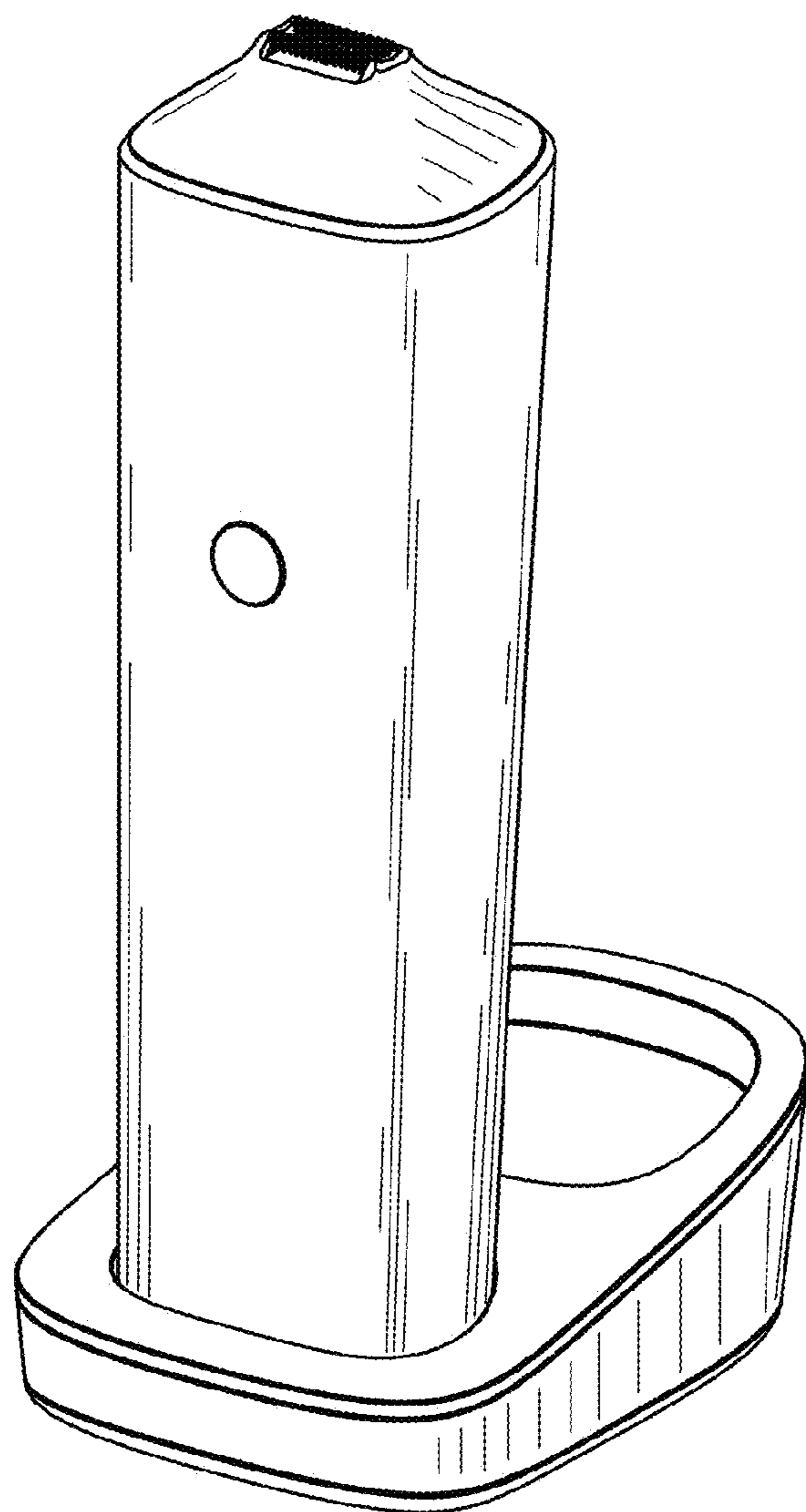


Fig. 7