



US00D750224S

(12) **United States Design Patent**
Miyano et al.

(10) **Patent No.:** **US D750,224 S**
(45) **Date of Patent:** **** Feb. 23, 2016**

(54) **DENTAL DISPENSER**

(71) Applicant: **GC Corporation**, Bunkyo-ku (JP)

(72) Inventors: **Tatsunosuke Miyano**, Itabashi-ku (JP);
Takumi Suzuki, Itabashi-ku (JP)

(73) Assignee: **GC CORPORATION**, Bunkyo-ku (JP)

(**) Term: **14 Years**

(21) Appl. No.: **29/507,747**

(22) Filed: **Oct. 30, 2014**

(30) **Foreign Application Priority Data**

Jun. 30, 2014 (JP) 2014-014238

(51) **LOC (10) Cl.** **24-02**

(52) **U.S. Cl.**
USPC **D24/113**

(58) **Field of Classification Search**
USPC D24/152, 155–156, 176–182, 112–114,
D24/133, 186, 108; 604/181, 187, 223, 232;
433/32, 87–90, 114, 126
CPC A61C 5/00; A61C 5/04; A61C 5/045;
A61C 5/06; A61C 5/062
See application file for complete search history.

(56) **References Cited**

U.S. PATENT DOCUMENTS

5,213,110 A * 5/1993 Kedem A61B 10/0283
D24/113
D408,527 S * 4/1999 Coelho D24/108
6,312,254 B1 * 11/2001 Friedman A61C 5/062
433/32
D460,174 S * 7/2002 Gallagher D24/113
D593,677 S * 6/2009 Mudd D24/113
8,727,185 B2 * 5/2014 Gilliam A61C 5/062
222/137

9,033,706 B2 * 5/2015 Lee A61C 5/04
433/81
2012/0045732 A1 * 2/2012 Chen A61C 5/062
433/90

FOREIGN PATENT DOCUMENTS

JP 1462182 2/2013

OTHER PUBLICATIONS

U.S. Appl. No. 29/437,861, filed Nov. 21, 2012, Miyano, et al.

* cited by examiner

Primary Examiner — Wan Laymon

(74) *Attorney, Agent, or Firm* — Oblon, McClelland,
Maier & Neustadt, L.L.P.

(57) **CLAIM**

The ornamental design for a dental dispenser, as shown and described.

DESCRIPTION

FIG. 1 is a front elevational view of a dental dispenser, showing our new design;
FIG. 2 is a rear elevational view thereof;
FIG. 3 is a right side elevational view thereof;
FIG. 4 is a left side elevational view thereof;
FIG. 5 is a top plan view thereof;
FIG. 6 is a bottom plan view thereof;
FIG. 7 is a perspective view thereof;
FIG. 8 is a reference perspective view thereof showing a state in which extrusion portions are completely protruded; and,
FIG. 9 is a reference perspective view thereof showing a use state.
The broken line portion in FIG. 9 depicts environmental subject matter only and forms no part of the claimed design.

1 Claim, 6 Drawing Sheets

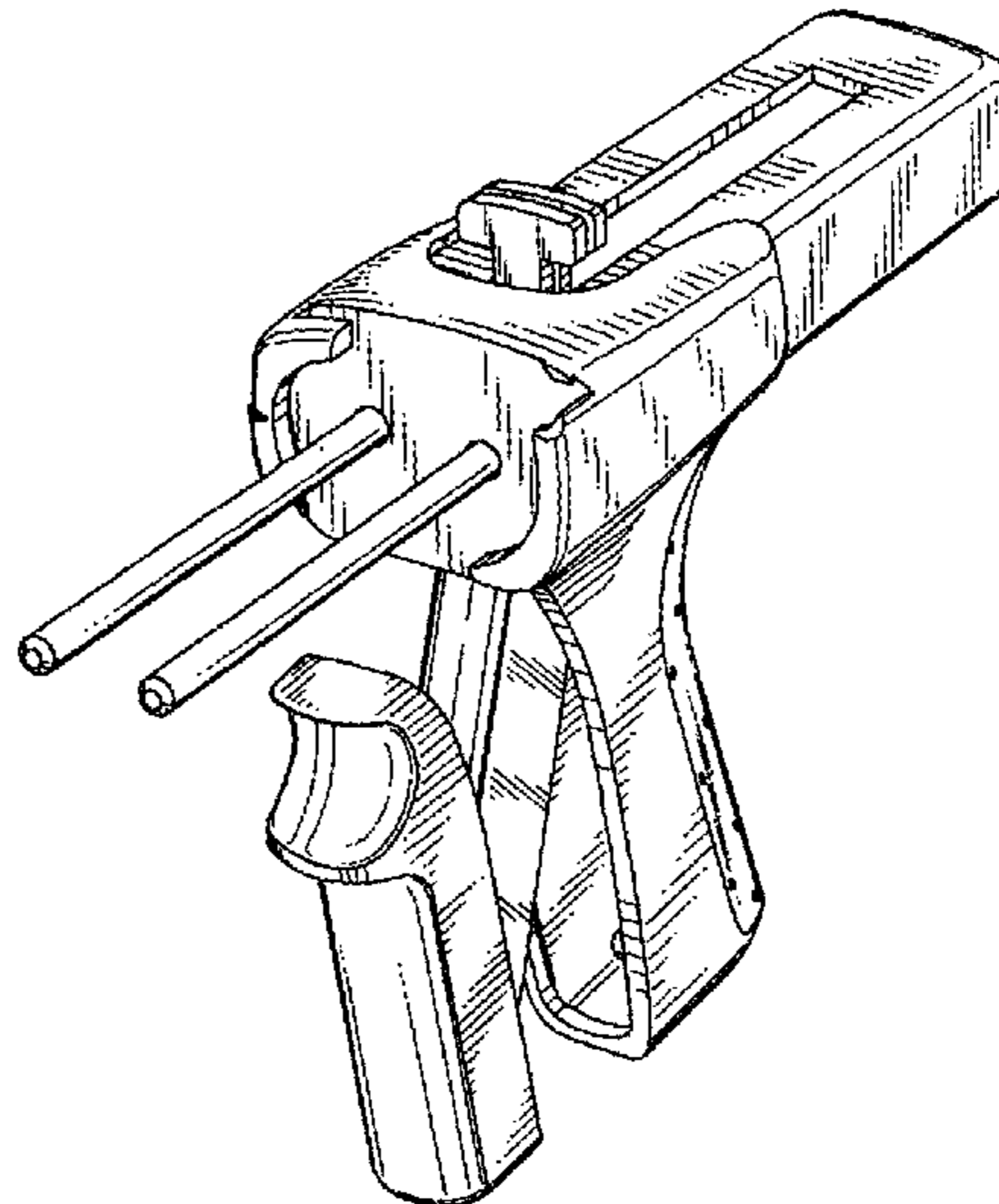
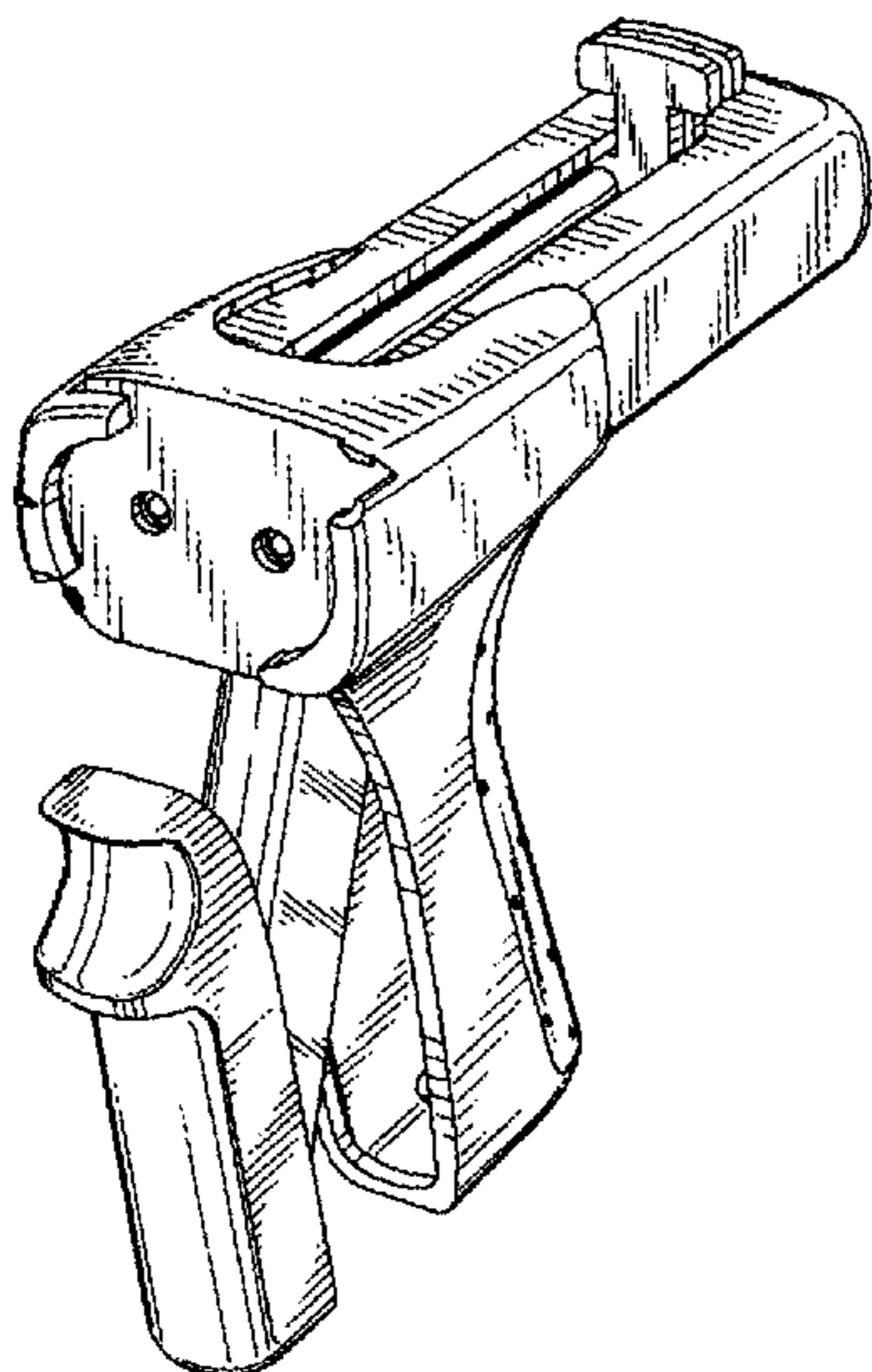


FIG. 1

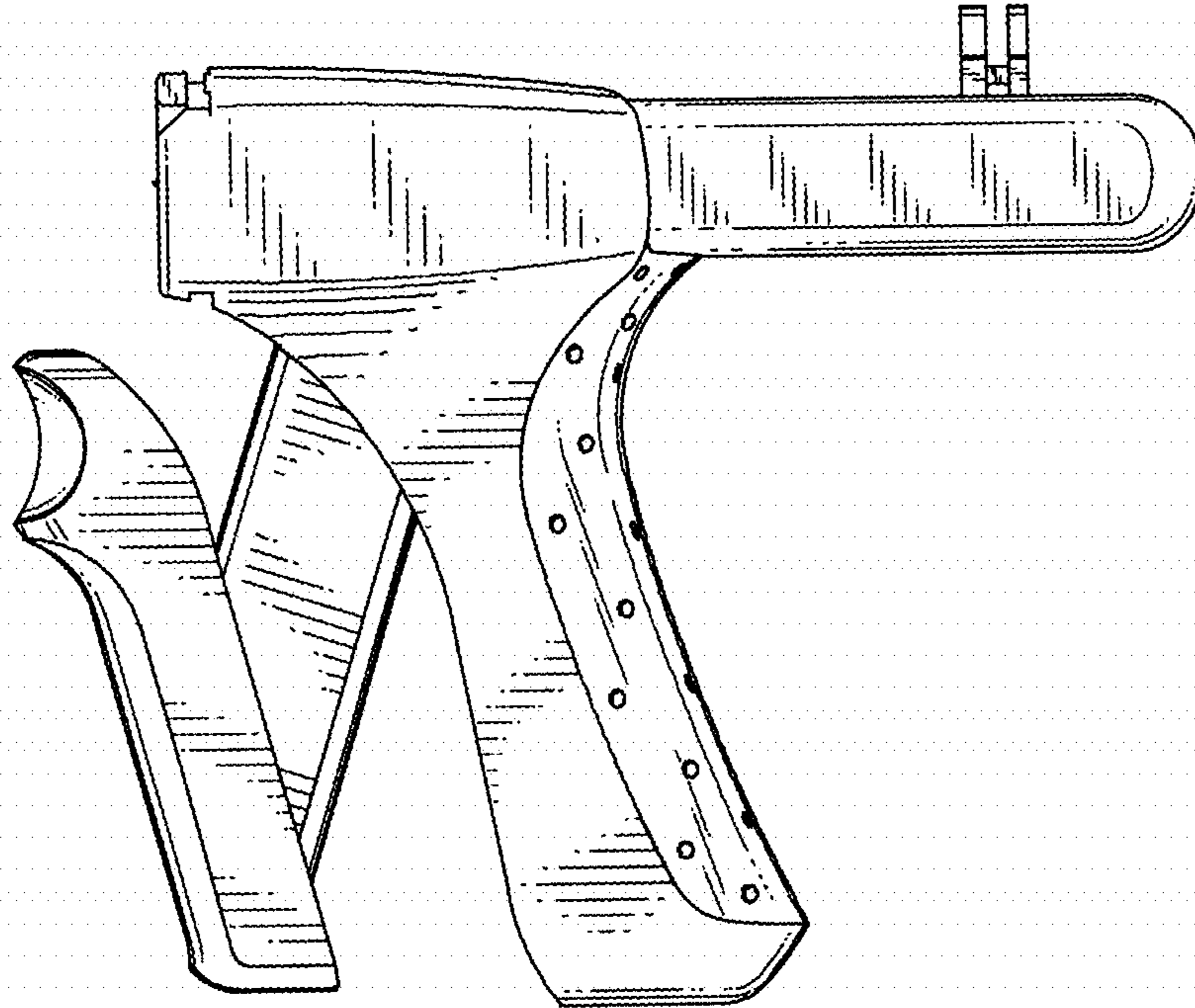


FIG. 2

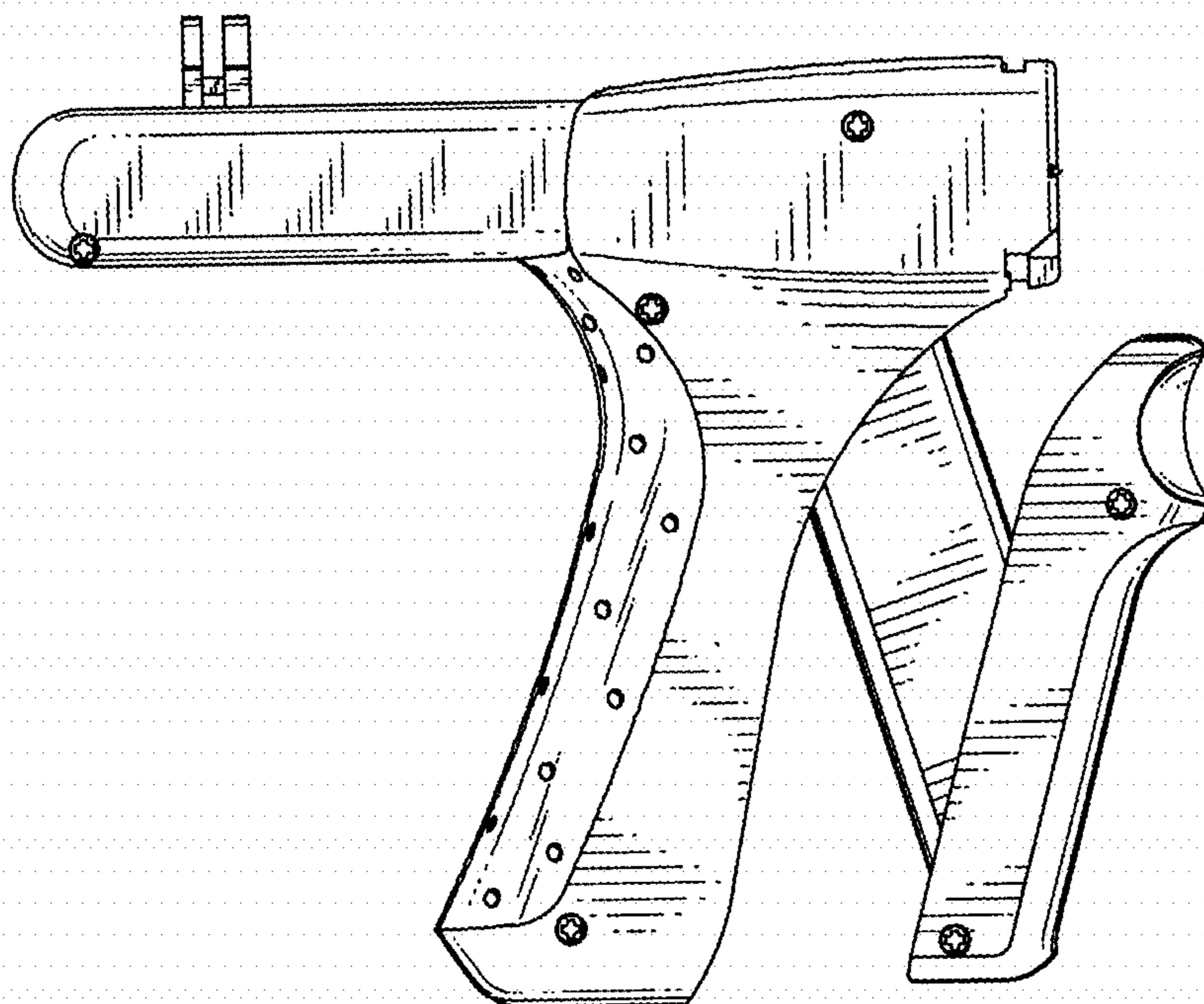


FIG. 3

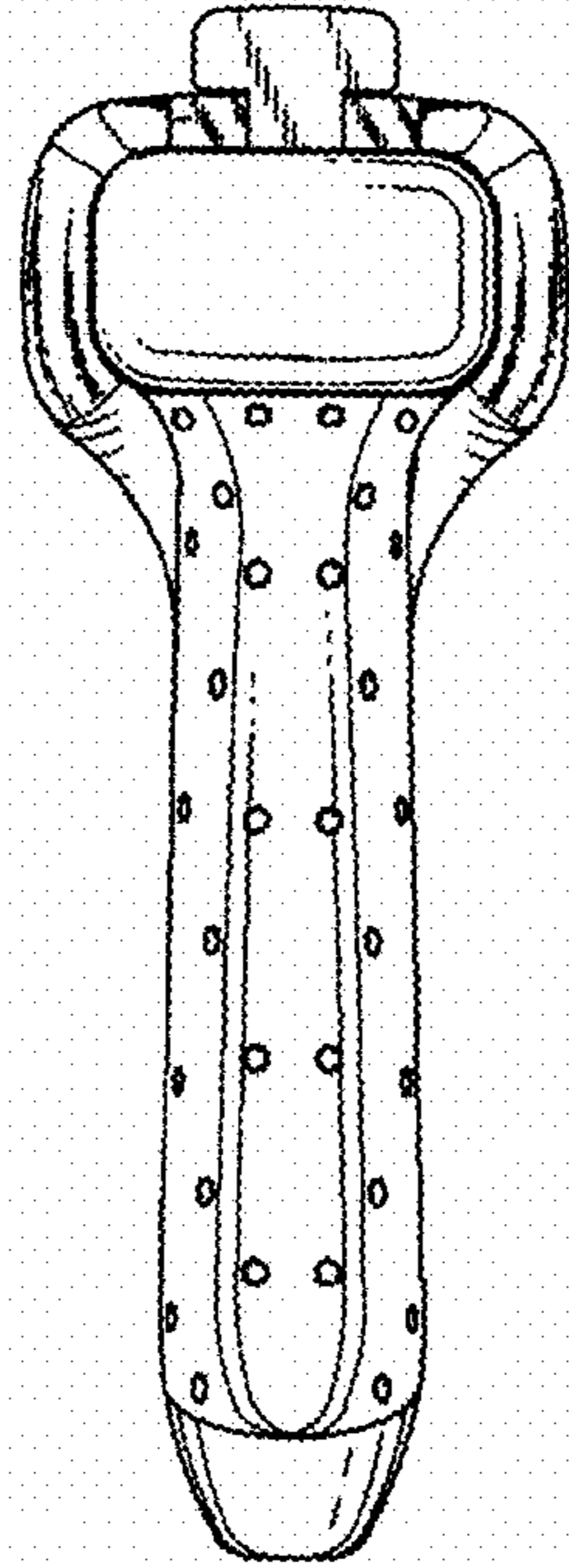


FIG. 4

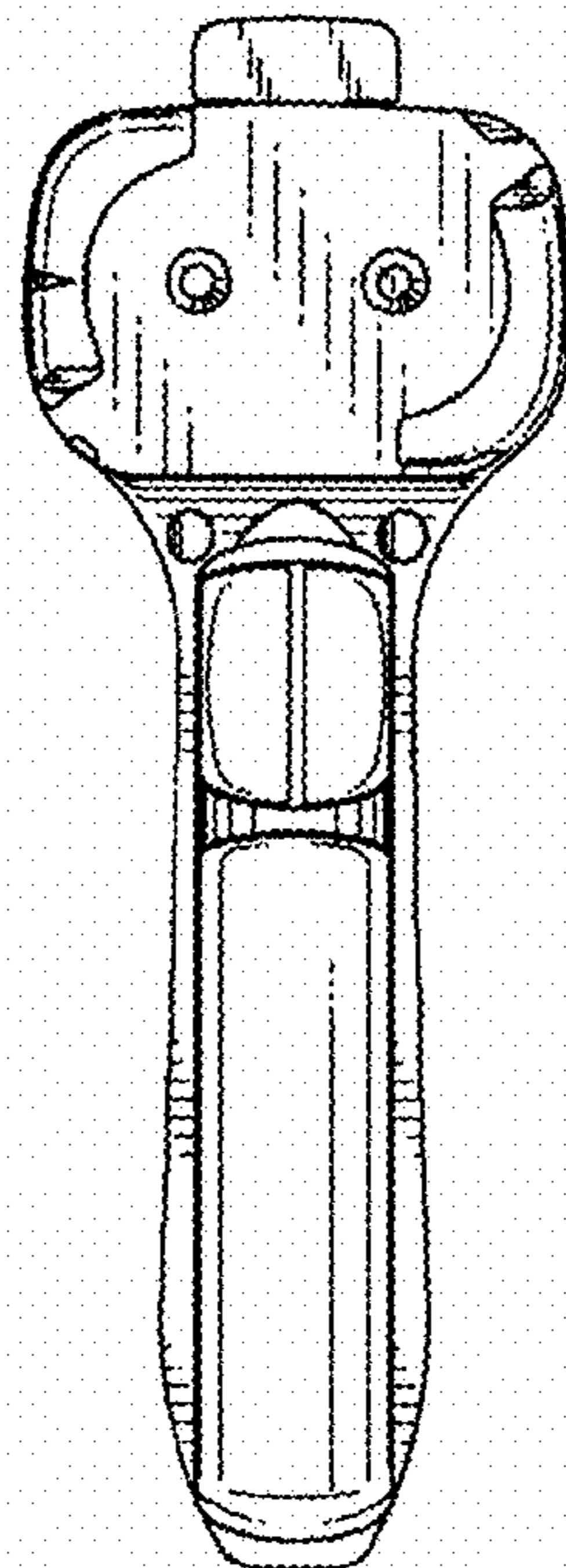


FIG. 5

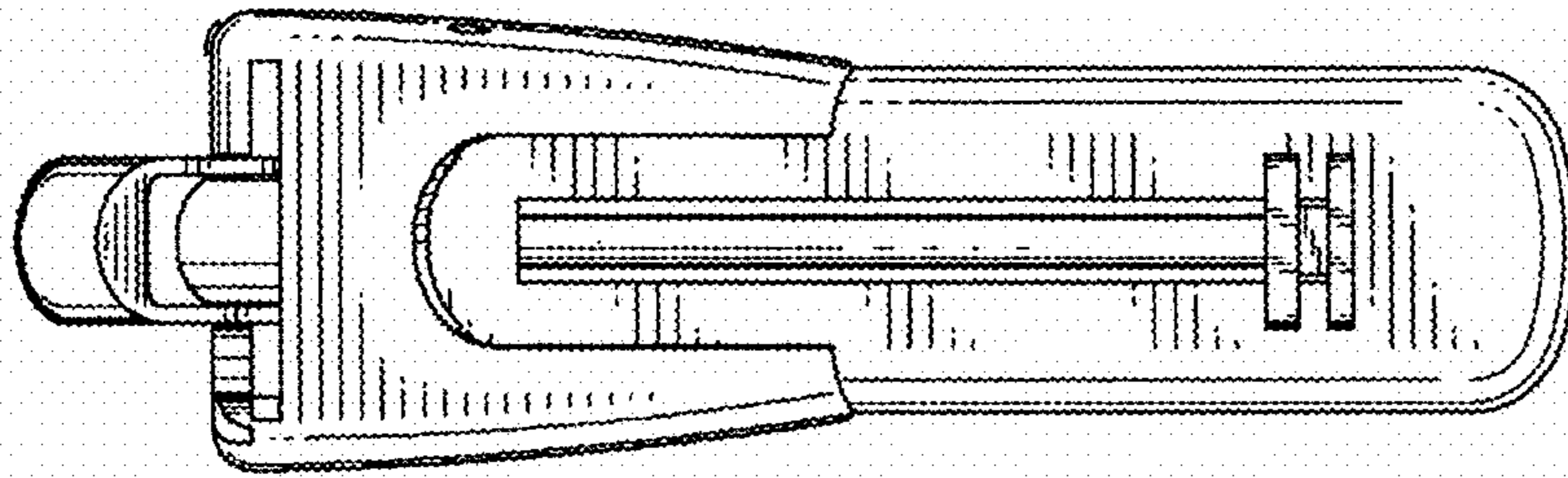


FIG. 6

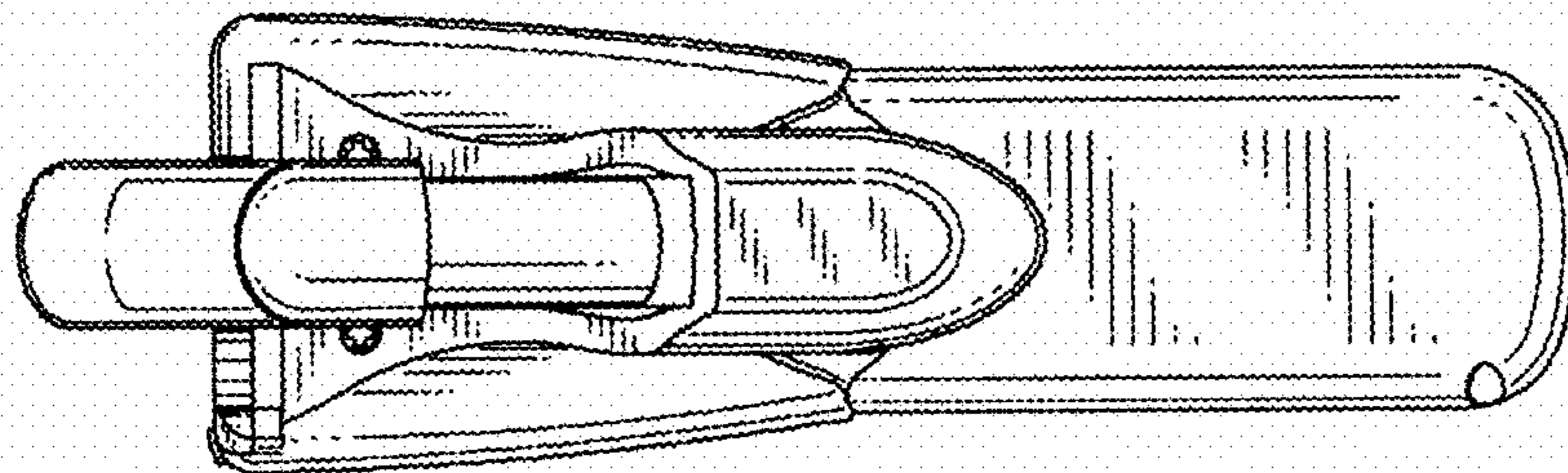


FIG. 7

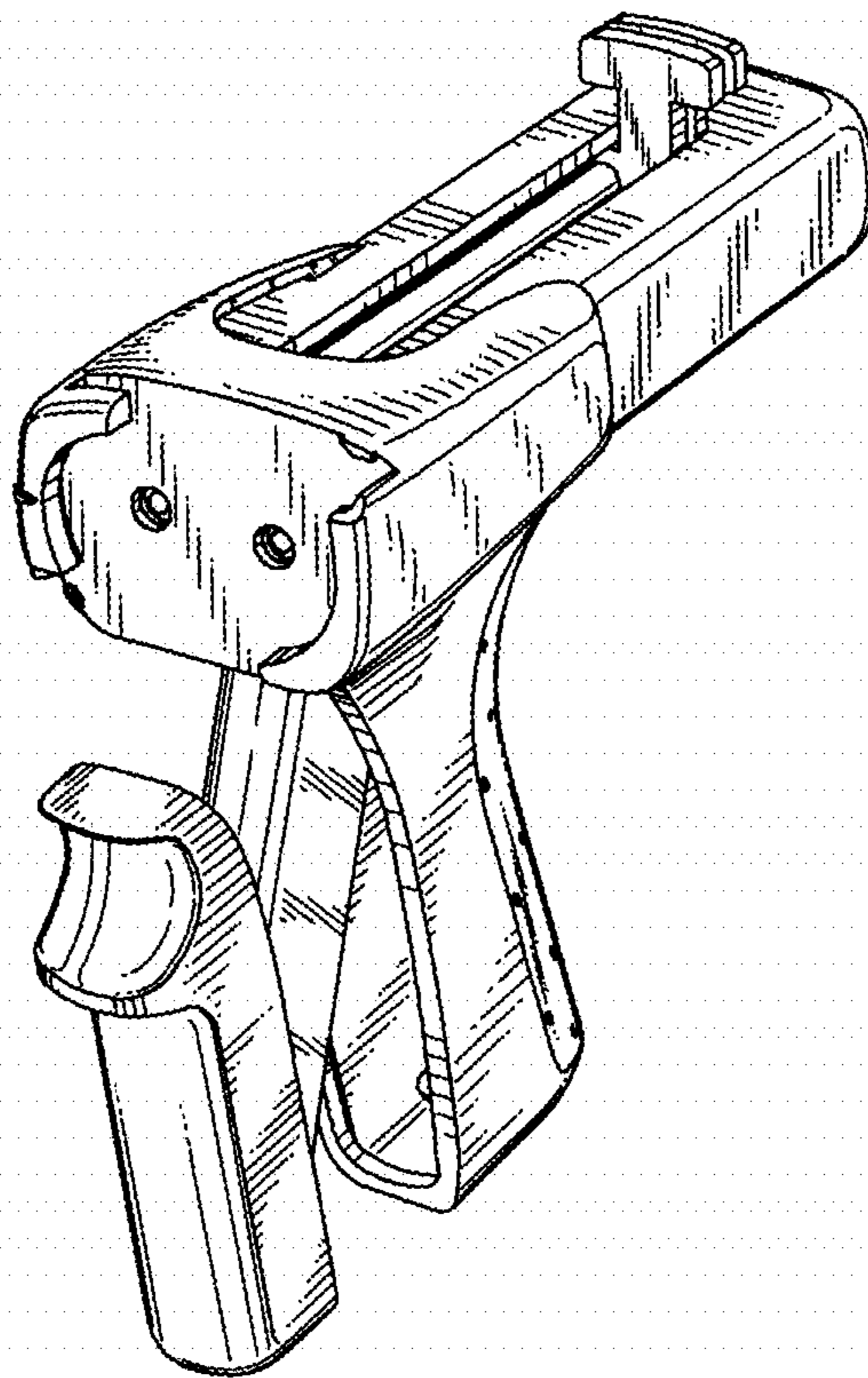


FIG. 8

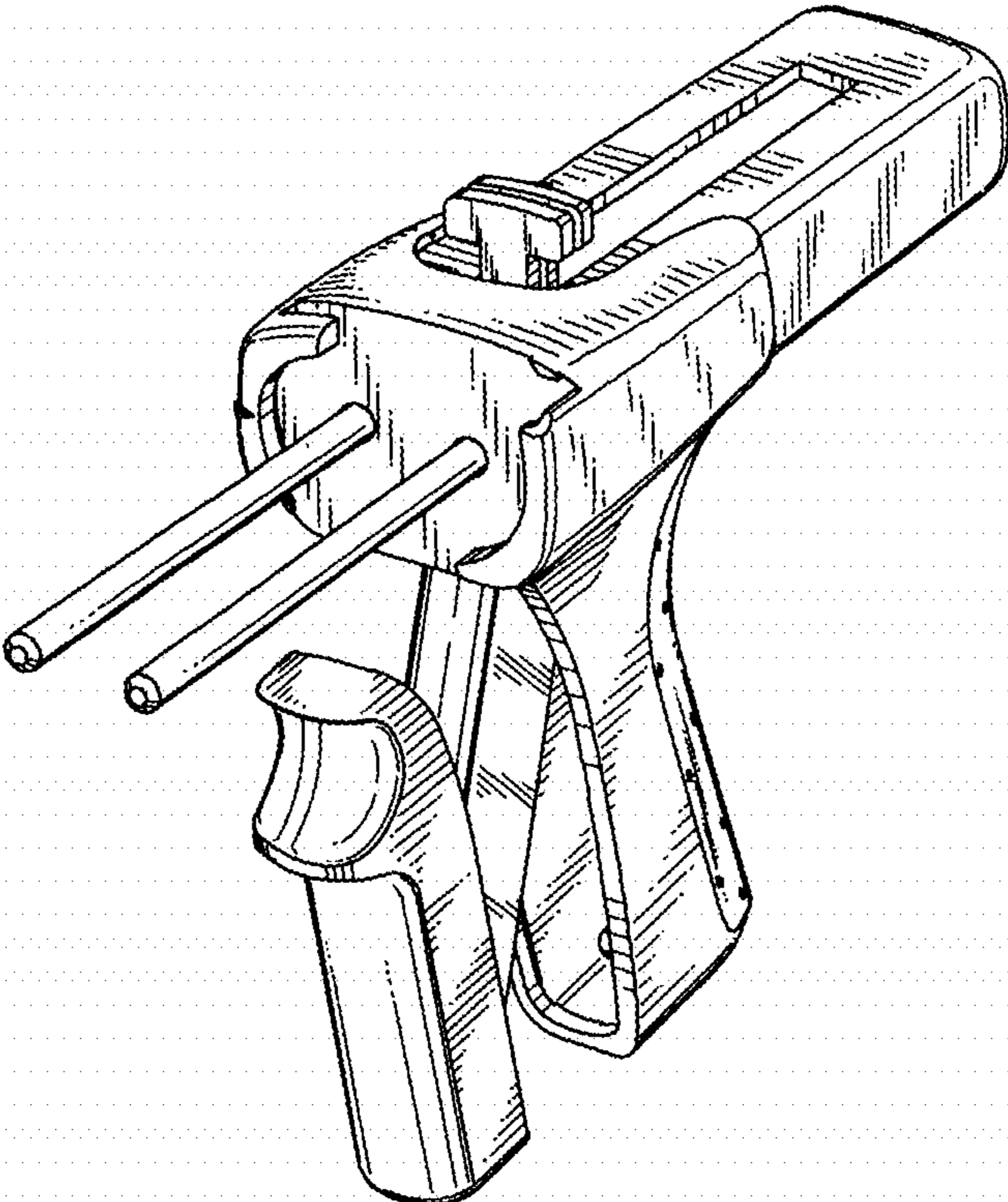


FIG. 9

