



US00D750221S

(12) **United States Design Patent**  
**Schulzman**

(10) **Patent No.:** **US D750,221 S**

(45) **Date of Patent:** **\*\* Feb. 23, 2016**

- (54) **CEILING FAN BLADE**
- (71) Applicant: **Minka Lighting, Inc.**, Corona, CA (US)
- (72) Inventor: **Kurt Schulzman**, Long Beach, CA (US)
- (73) Assignee: **MINKA LIGHTING, INC.**, Corona, CA (US)
- (\*\*) Term: **14 Years**
- (21) Appl. No.: **29/501,240**
- (22) Filed: **Sep. 2, 2014**

- 5,645,403 A \* 7/1997 Bogage ..... F04D 29/38  
416/235
- D478,161 S \* 8/2003 Collmar ..... D23/377
- 7,210,910 B1 \* 5/2007 Parker ..... F04D 25/088  
416/223 R
- 2008/0069698 A1 \* 3/2008 Laisathit ..... F04D 25/088  
416/210 R

\* cited by examiner

*Primary Examiner* — Sandra Snapp

(74) *Attorney, Agent, or Firm* — Baker & McKenzie LLP

(57) **CLAIM**

The ornamental design for a ceiling fan blade, as shown and described.

**Related U.S. Application Data**

- (63) Continuation-in-part of application No. 29/463,620, filed on Jan. 16, 2014.
- (51) **LOC (10) Cl.** ..... **23-04**
- (52) **U.S. Cl.**  
USPC ..... **D23/413**
- (58) **Field of Classification Search**  
USPC ..... D23/370–385, 411–414, 59;  
392/360–364; 416/5, 170 R, 93 R,  
416/210 R, 223 R, 207  
CPC ..... F04D 29/34; F04D 29/38; F04D 25/088  
See application file for complete search history.

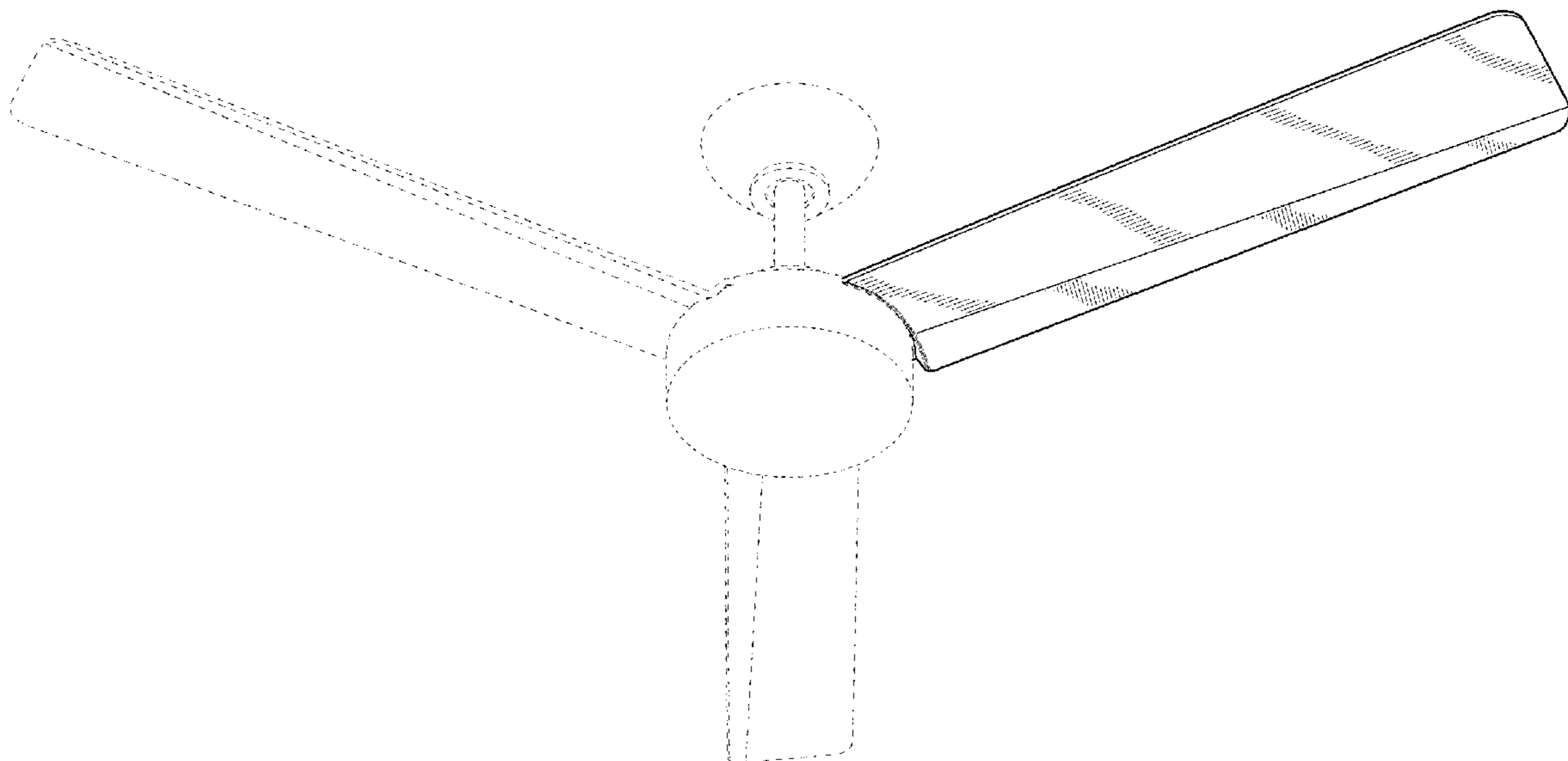
**DESCRIPTION**

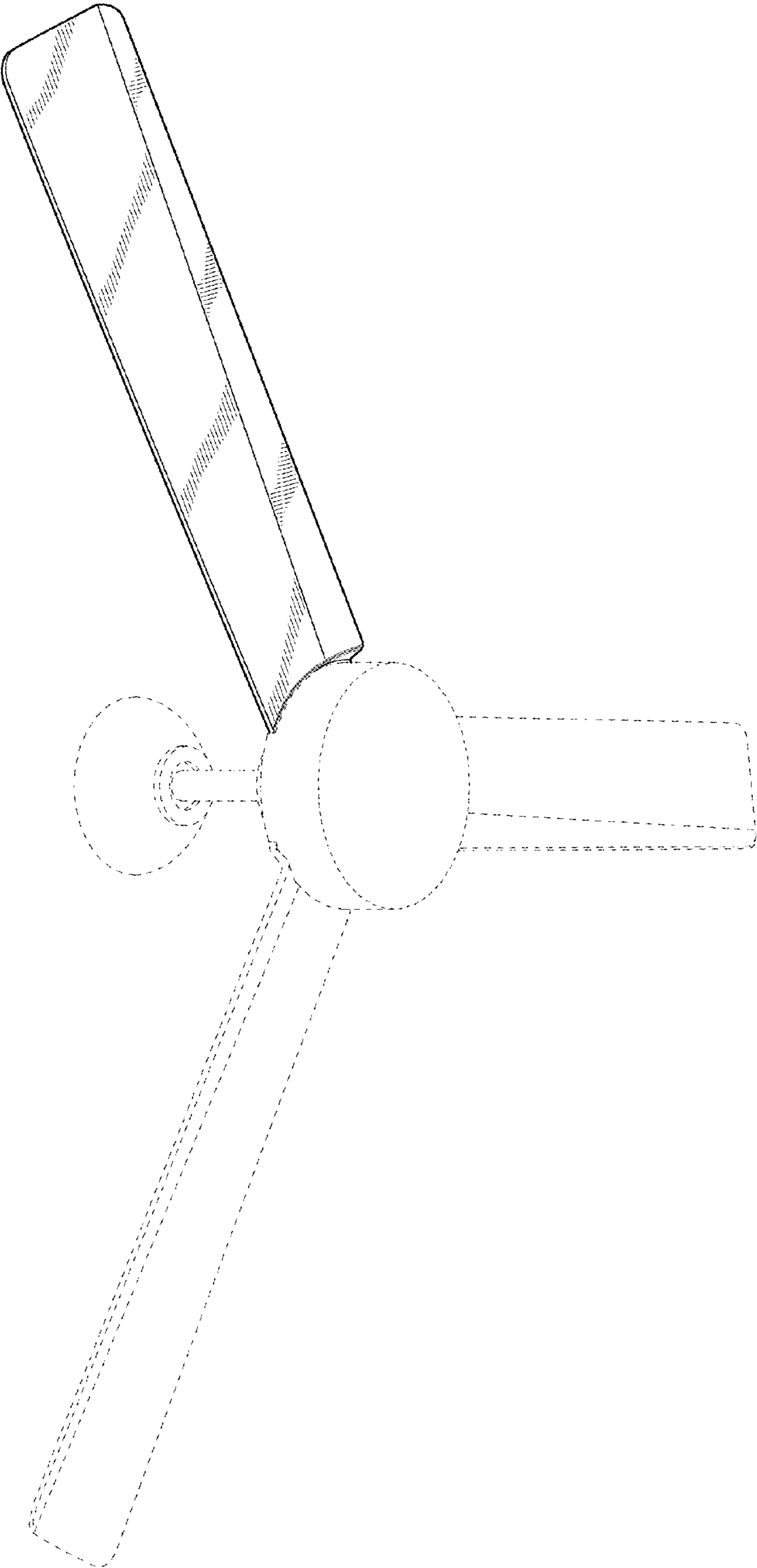
FIG. 1 is a perspective view of a ceiling fan blade in accordance with my design;  
 FIG. 2 is another perspective view of the ceiling fan blade in accordance with my design;  
 FIG. 3 is a top plan view of the ceiling fan blade in accordance with my design;  
 FIG. 4 is a bottom plan view of the ceiling fan blade in accordance with my design;  
 FIG. 5 is a right-side elevation view of the ceiling fan blade in accordance with my design;  
 FIG. 6 is a left-side elevation view of the ceiling fan blade in accordance with my design;  
 FIG. 7 is a front elevation view of the ceiling fan blade in accordance with my design; and,  
 FIG. 8 is a rear elevation view of the ceiling fan blade in accordance with my design.

The broken-line disclosure of elements is understood to represent portions of the article in which the design is embodied, but which form no part of the claimed design.

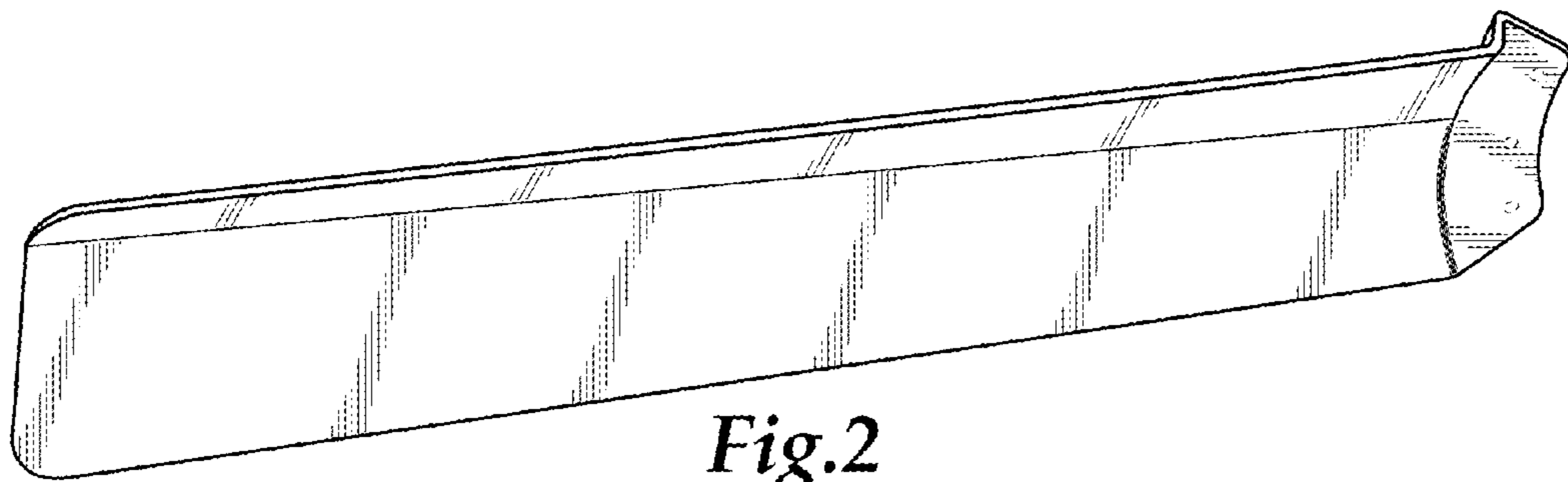
**1 Claim, 2 Drawing Sheets**

- (56) **References Cited**  
U.S. PATENT DOCUMENTS
- 1,623,420 A \* 4/1927 Leinweber ..... B64C 11/18  
416/243
- D314,618 S \* 2/1991 Yen ..... D23/377
- D345,790 S \* 4/1994 Caldwell ..... D23/377
- D346,438 S \* 4/1994 Caldwell ..... D23/377
- D355,027 S \* 1/1995 Young ..... D23/377

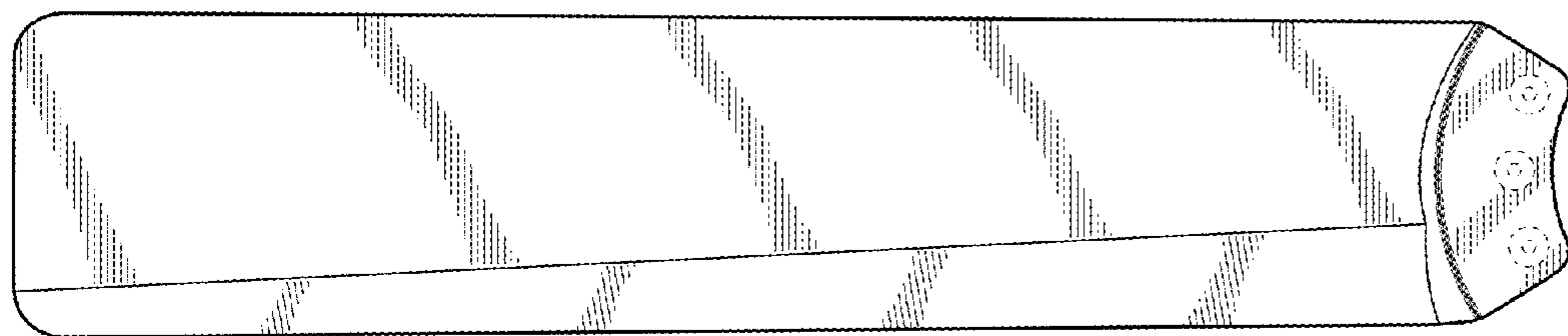




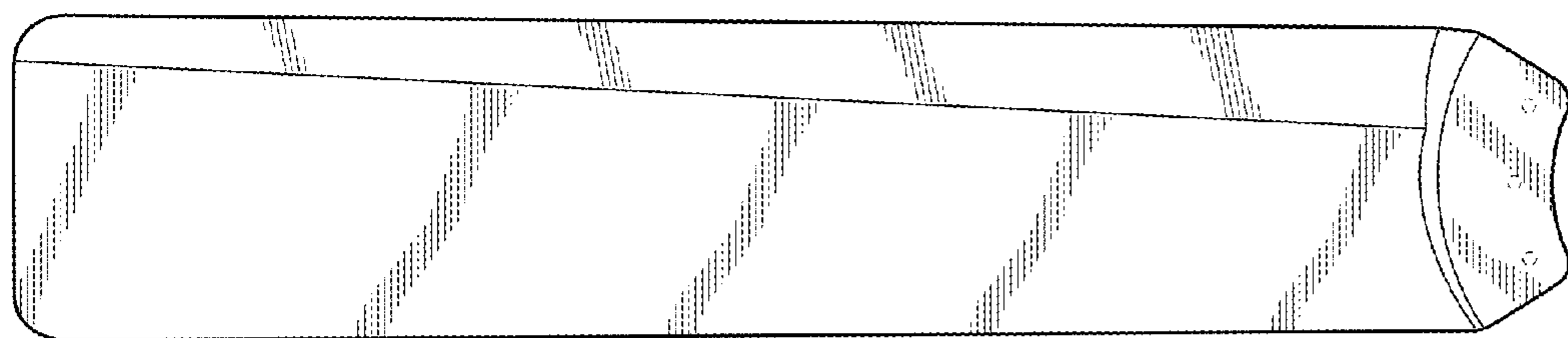
*Fig. 1*



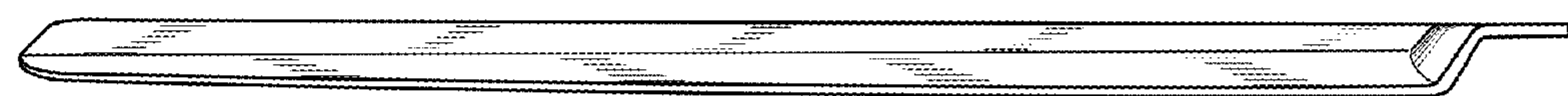
*Fig.2*



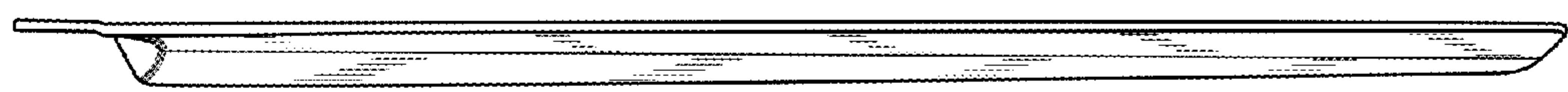
*Fig.3*



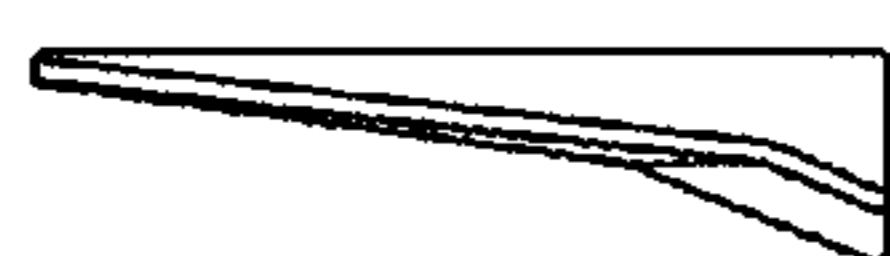
*Fig.4*



*Fig.5*



*Fig.6*



*Fig.7*



*Fig.8*