



US00D750219S

(12) **United States Design Patent**
Gajewski

(10) **Patent No.:** **US D750,219 S**

(45) **Date of Patent:** **** Feb. 23, 2016**

(54) **CEILING FAN HOUSING**

(71) Applicant: **Minka Lighting, Inc.**, Corona, CA (US)

(72) Inventor: **Mark Gajewski**, Avila Beach, CA (US)

(73) Assignee: **MINKA LIGHTING, INC.**, Corona, CA (US)

(**) Term: **14 Years**

(21) Appl. No.: **29/501,253**

(22) Filed: **Sep. 2, 2014**

Related U.S. Application Data

(63) Continuation-in-part of application No. 29/463,623, filed on Jan. 16, 2014.

(51) **LOC (10) Cl.** **23-04**

(52) **U.S. Cl.**
USPC **D23/411**

(58) **Field of Classification Search**
USPC D23/370–385, 411–414, 59;
392/360–364; 416/5, 170 R, 93 R,
416/210 R, 223 R, 207
CPC F04D 29/34; F04D 29/38; F04D 25/088
See application file for complete search history.

(56) **References Cited**

U.S. PATENT DOCUMENTS

D346,438 S * 4/1994 Caldwell D23/377
D346,858 S * 5/1994 Lee D23/377
D355,027 S * 1/1995 Young D23/377

D377,975 S * 2/1997 Young D23/377
D448,840 S * 10/2001 Gajewski D23/377
D476,728 S * 7/2003 Gajewski D23/377
D477,068 S * 7/2003 Hsieh D23/377
D519,625 S * 4/2006 Young D23/377
D576,265 S * 9/2008 Bucher D23/377
D590,489 S * 4/2009 Bucher D23/377
D627,874 S * 11/2010 Pan D23/411

* cited by examiner

Primary Examiner — Sandra Snapp

(74) *Attorney, Agent, or Firm* — Baker & McKenzie LLP

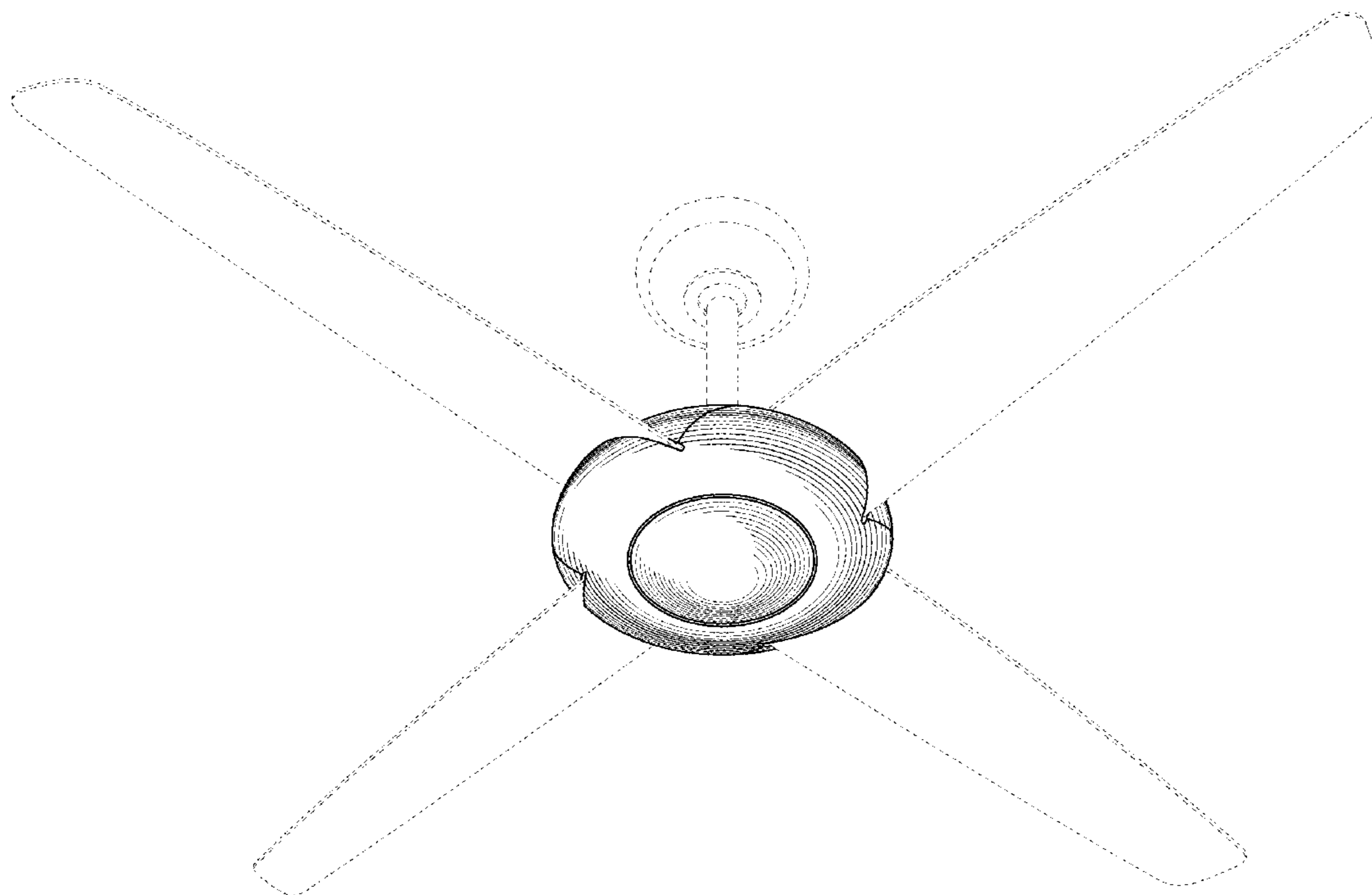
(57) **CLAIM**

The ornamental design for a ceiling fan housing, as shown and described.

DESCRIPTION

FIG. 1 is a perspective view of a ceiling fan housing in accordance with my design;
FIG. 2 is a top plan view of the ceiling fan housing in accordance with my design;
FIG. 3 is a bottom plan view of the ceiling fan housing in accordance with my design;
FIG. 4 is a side elevation view of the ceiling fan housing in accordance with my design, the opposite side being a mirror image thereof; and,
FIG. 5 is a front elevation view of the ceiling fan housing in accordance with my design, the rear view being a mirror image thereof.
The broken-line disclosure of elements is understood to represent portions of the article in which the design is embodied, but which form no part of the claimed design.

1 Claim, 3 Drawing Sheets



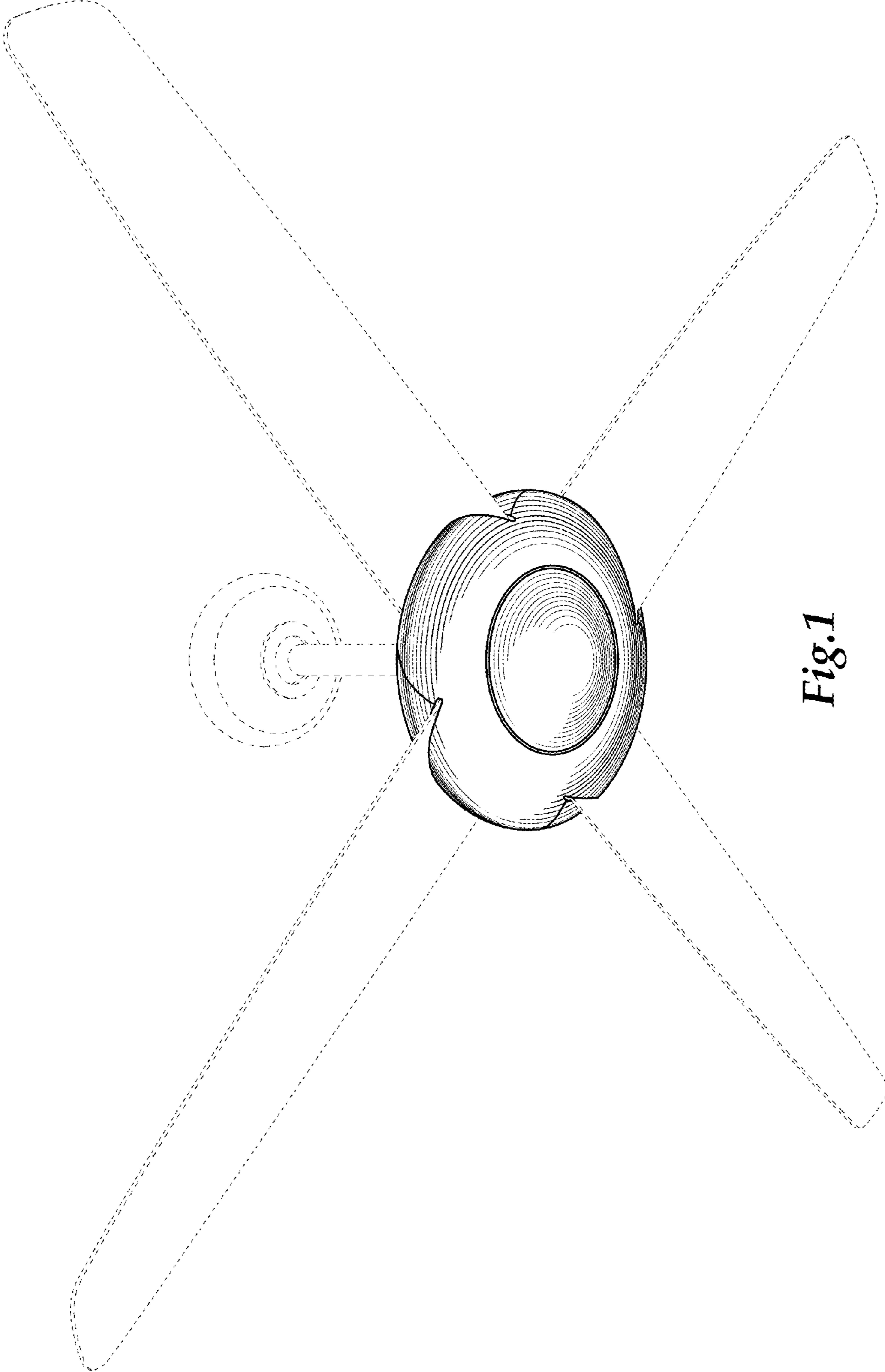


Fig. 1

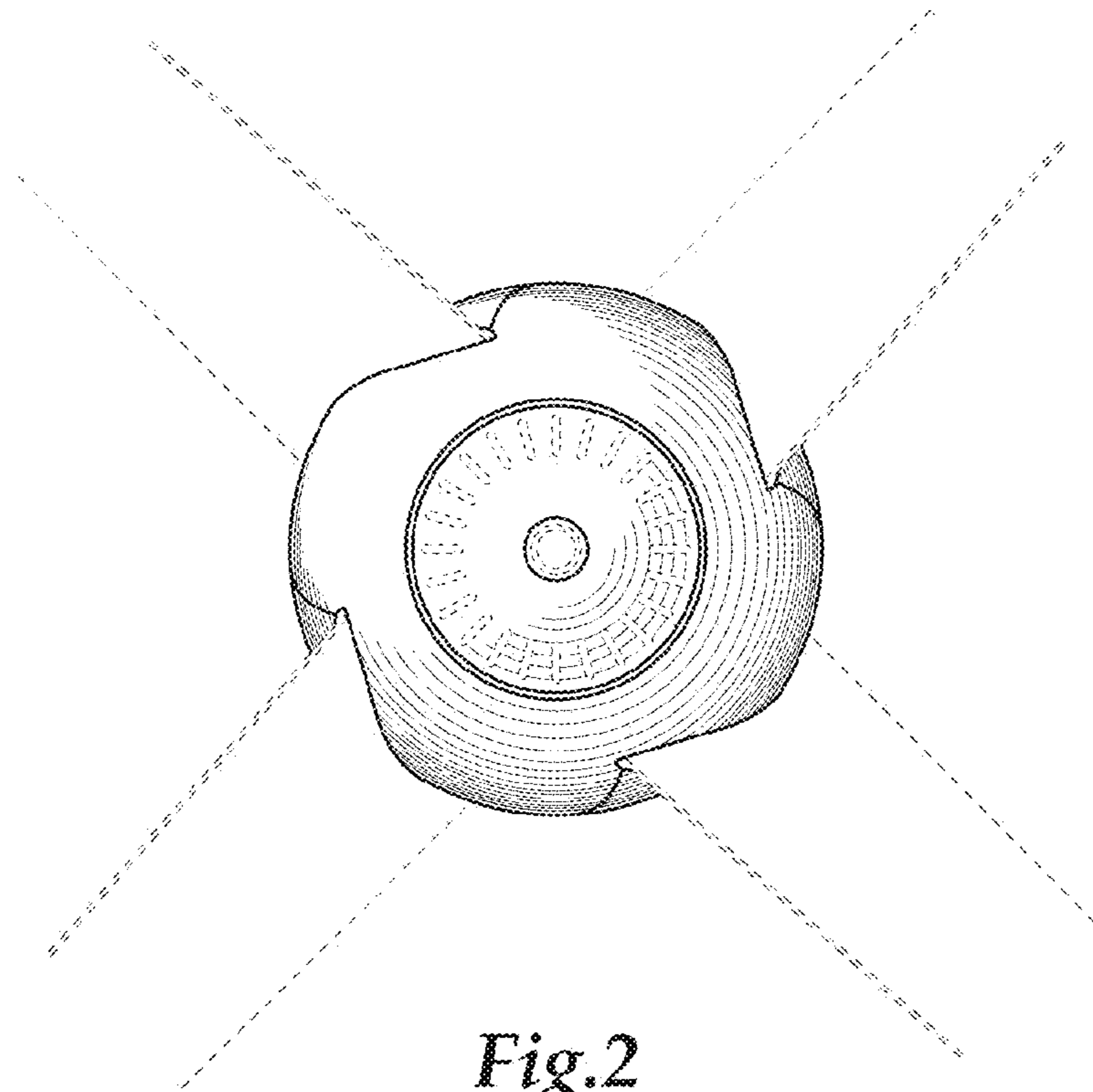


Fig. 2

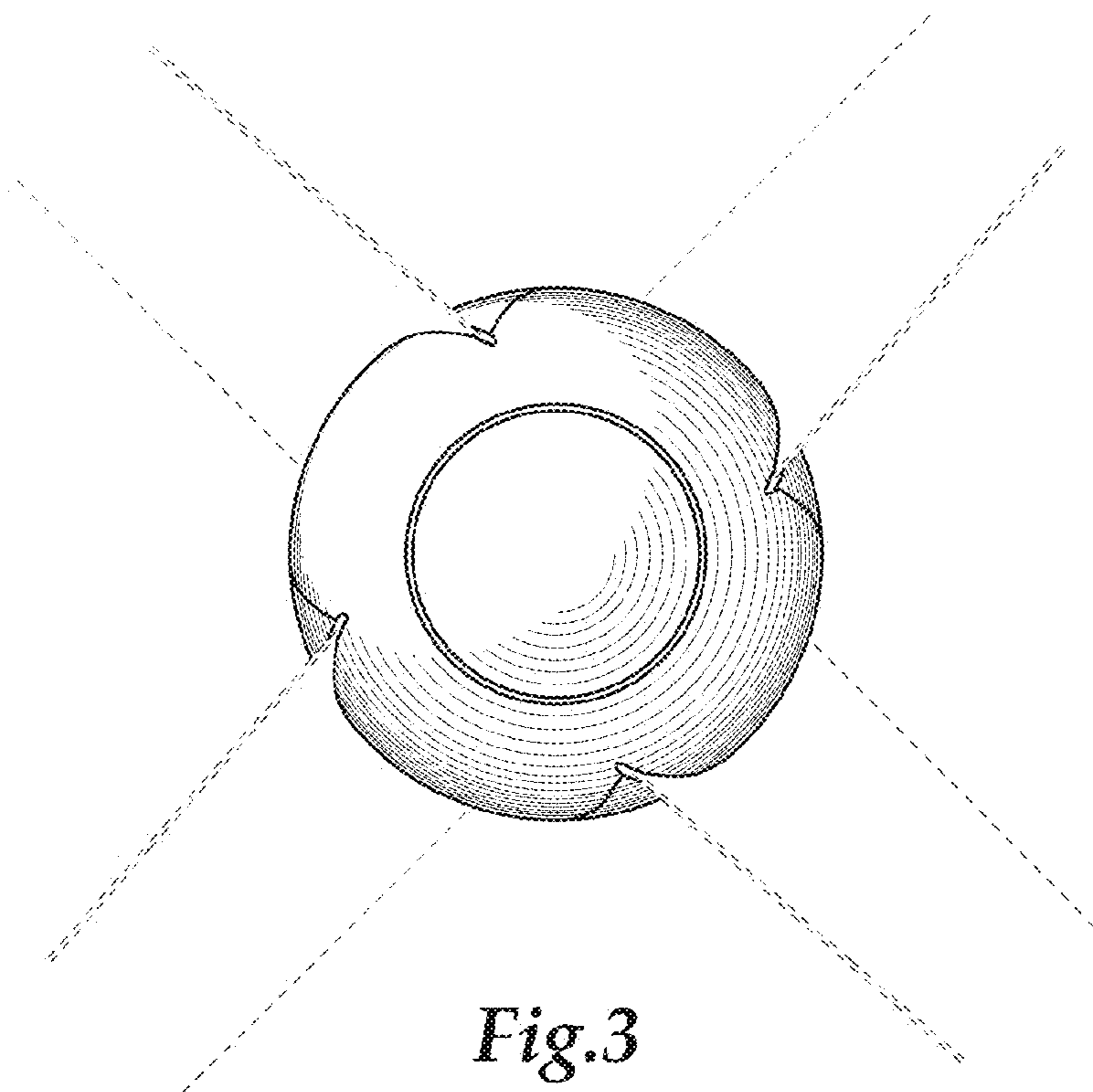


Fig. 3

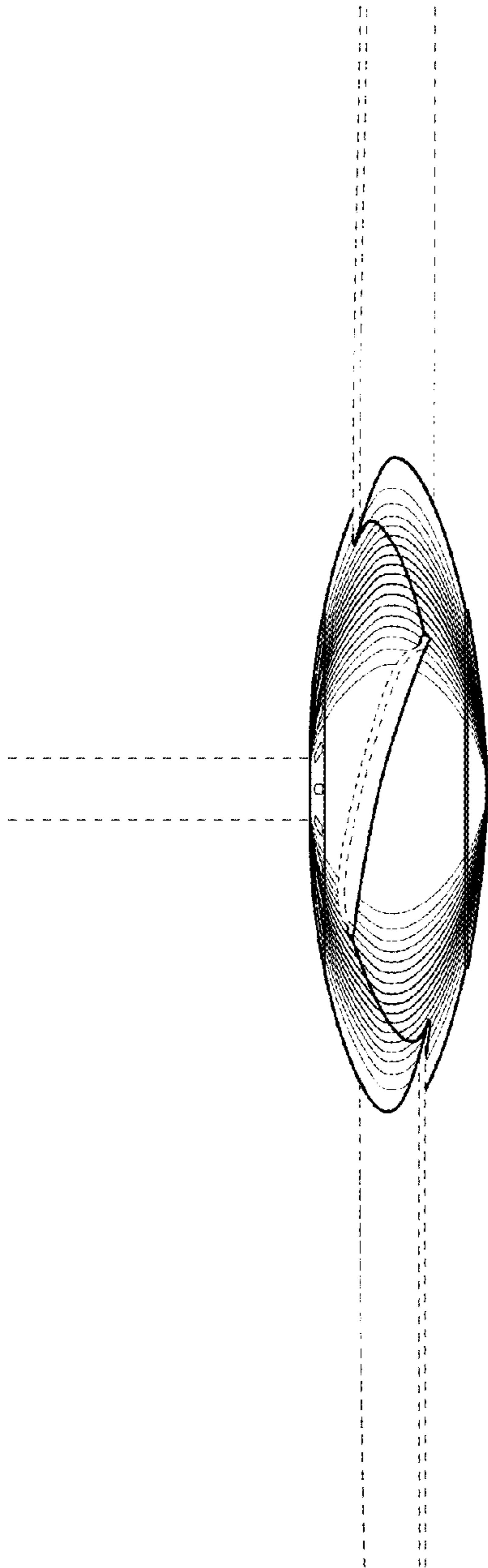


Fig. 4

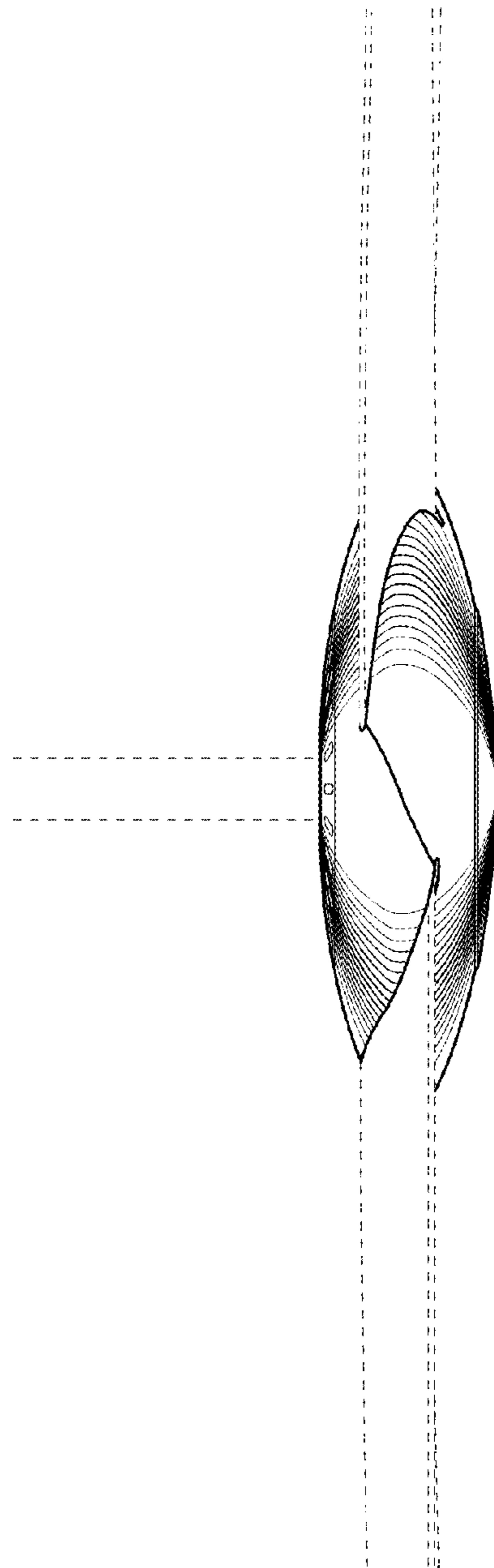


Fig. 5