



US00D750218S

(12) **United States Design Patent**
Gajewski

(10) **Patent No.:** **US D750,218 S**
(45) **Date of Patent:** **** Feb. 23, 2016**

- (54) **CEILING FAN LIGHT**
- (71) Applicant: **Minka Lighting, Inc.**, Corona, CA (US)
- (72) Inventor: **Mark Gajewski**, Avila Beach, CA (US)
- (73) Assignee: **MINKA LIGHTING, INC.**, Corona, CA (US)
- (**) Term: **14 Years**
- (21) Appl. No.: **29/501,252**
- (22) Filed: **Sep. 2, 2014**

D396,100 S *	7/1998	Brummer	D23/374
D430,280 S *	8/2000	Huang	D23/377
D465,297 S *	11/2002	Thomas	D26/83
D522,645 S *	6/2006	Ertze	D23/411
D535,010 S *	1/2007	Arnold, Jr.	D23/374
D605,749 S *	12/2009	Arnold, Jr.	D23/374

* cited by examiner

Primary Examiner — Sandra Snapp

(74) *Attorney, Agent, or Firm* — Baker & McKenzie LLP

Related U.S. Application Data

- (63) Continuation-in-part of application No. 29/463,625, filed on Jan. 16, 2014.
- (51) **LOC (10) Cl.** **23-04**
- (52) **U.S. Cl.**
USPC **D23/411; D26/59**
- (58) **Field of Classification Search**
USPC D23/370–385, 411–414, 59;
392/360–364; 416/5, 170 R, 93 R,
416/210 R, 223 R, 207
CPC F04D 29/34; F04D 29/38; F04D 25/088
See application file for complete search history.

References Cited

U.S. PATENT DOCUMENTS

D315,599 S *	3/1991	Freeman	D23/411
D346,438 S *	4/1994	Caldwell	D23/377
D352,997 S *	11/1994	DiPasquale	D23/377
5,440,459 A *	8/1995	Chan	F21V 33/0096 362/294
D376,008 S *	11/1996	Chan	D23/377
D377,975 S *	2/1997	Young	D23/377

(57) **CLAIM**

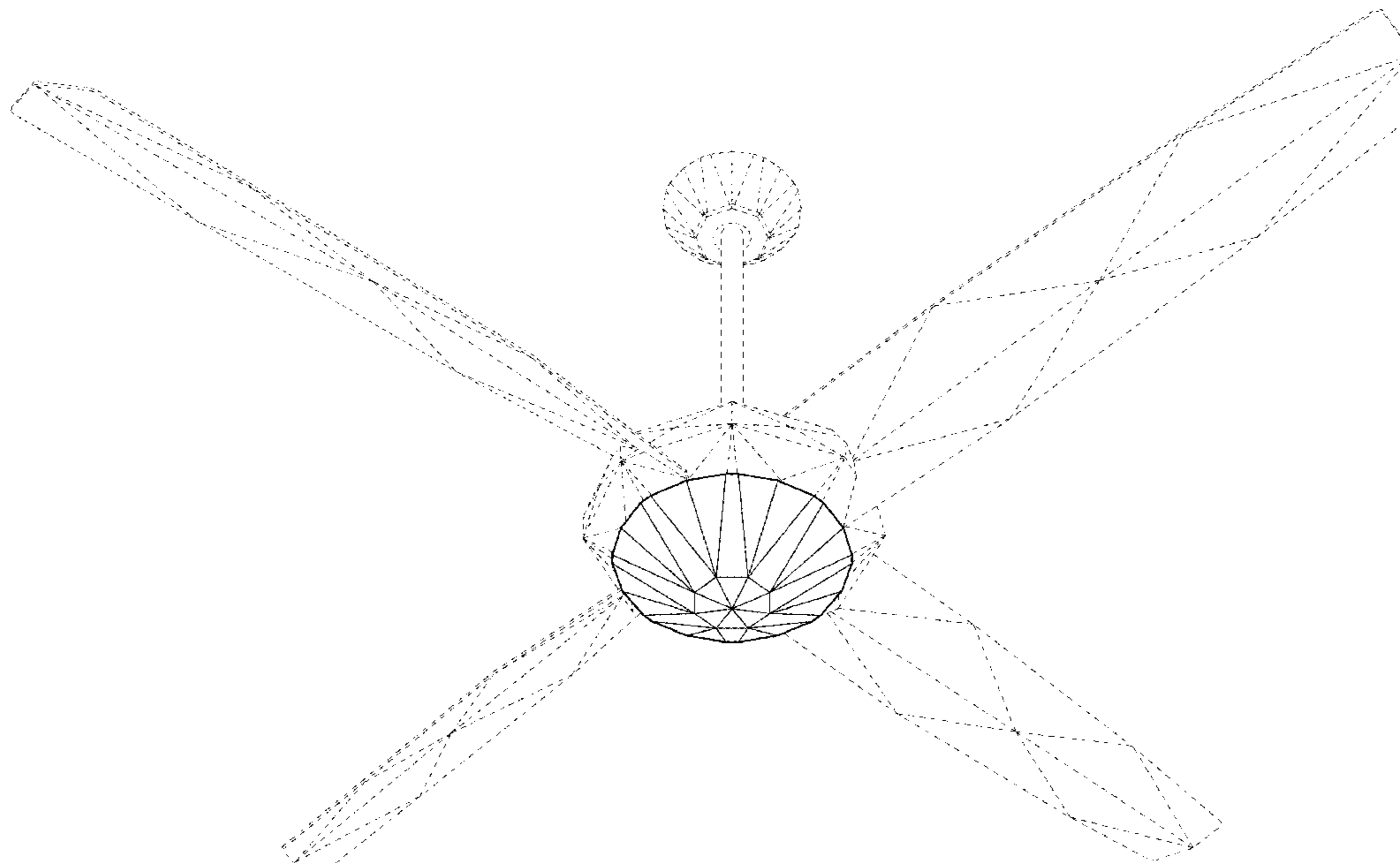
The ornamental design for a ceiling fan light, as shown and described.

DESCRIPTION

FIG. 1 is a perspective view of a ceiling fan light in accordance with my design;
 FIG. 2 is an enlarged bottom perspective view of the ceiling fan light in accordance with my design;
 FIG. 3 is an enlarged top plan view of the ceiling fan light in accordance with my design;
 FIG. 4 is an enlarged bottom plan view of the ceiling fan light in accordance with my design;
 FIG. 5 is an enlarged front elevation view of the ceiling fan light in accordance with my design, the rear view being a mirror image thereof; and,
 FIG. 6 is an enlarged side elevation view of the ceiling fan light in accordance with my design, the opposite side being a mirror image thereof.

The broken-line disclosure of elements is understood to represent portions of the article in which the design is embodied, but which form no part of the claimed design.

1 Claim, 2 Drawing Sheets



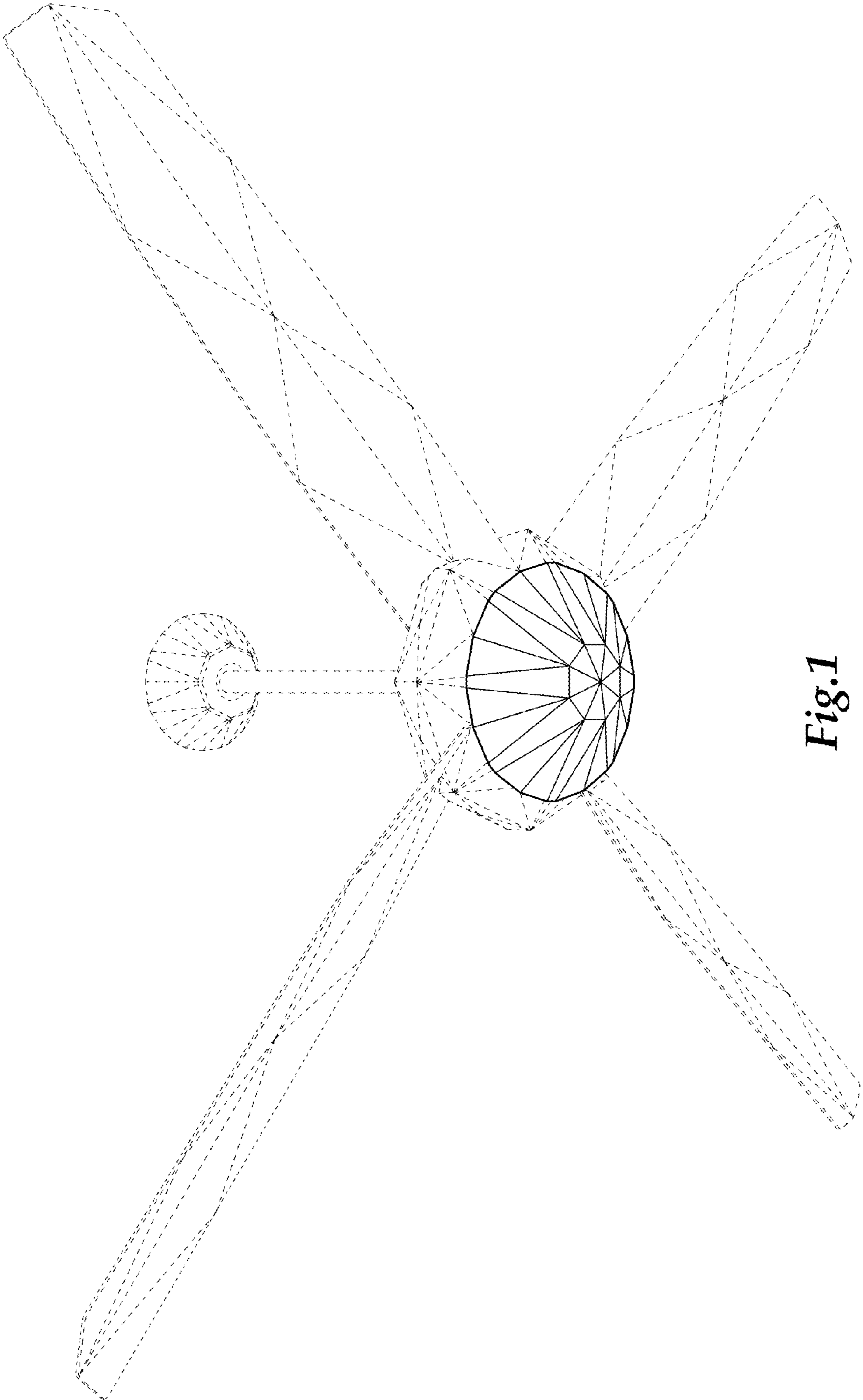


Fig.1

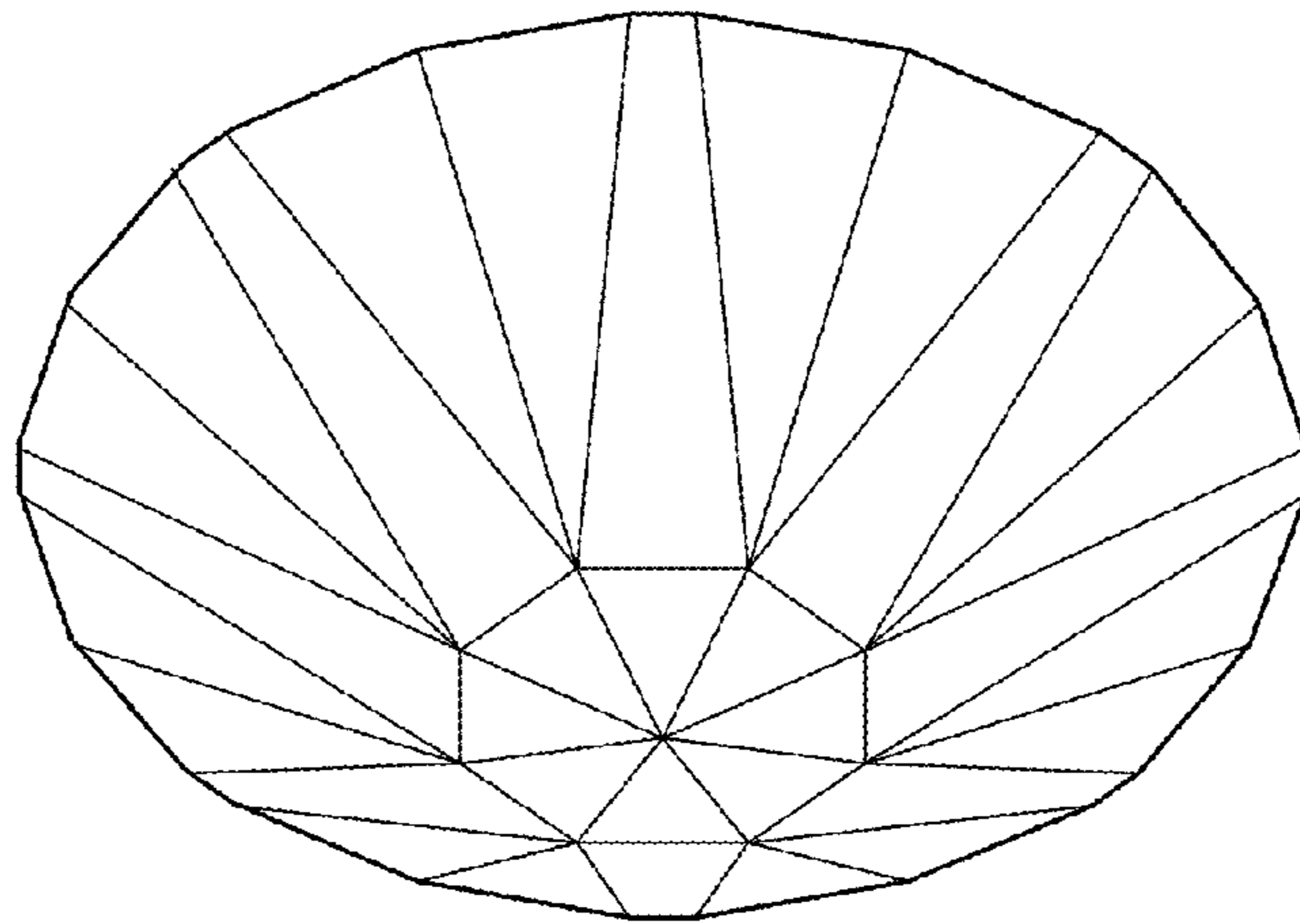


Fig.2

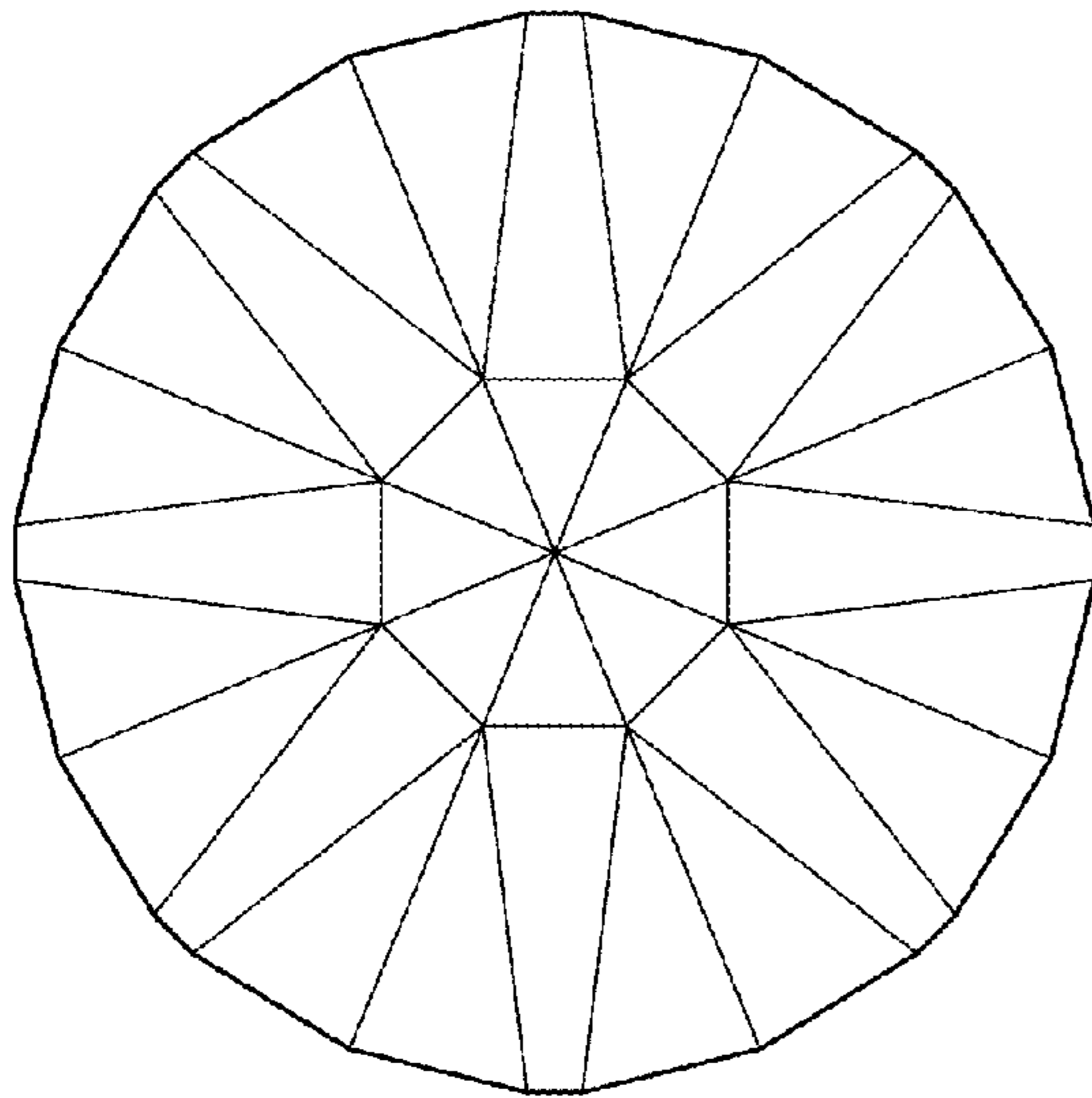


Fig.3

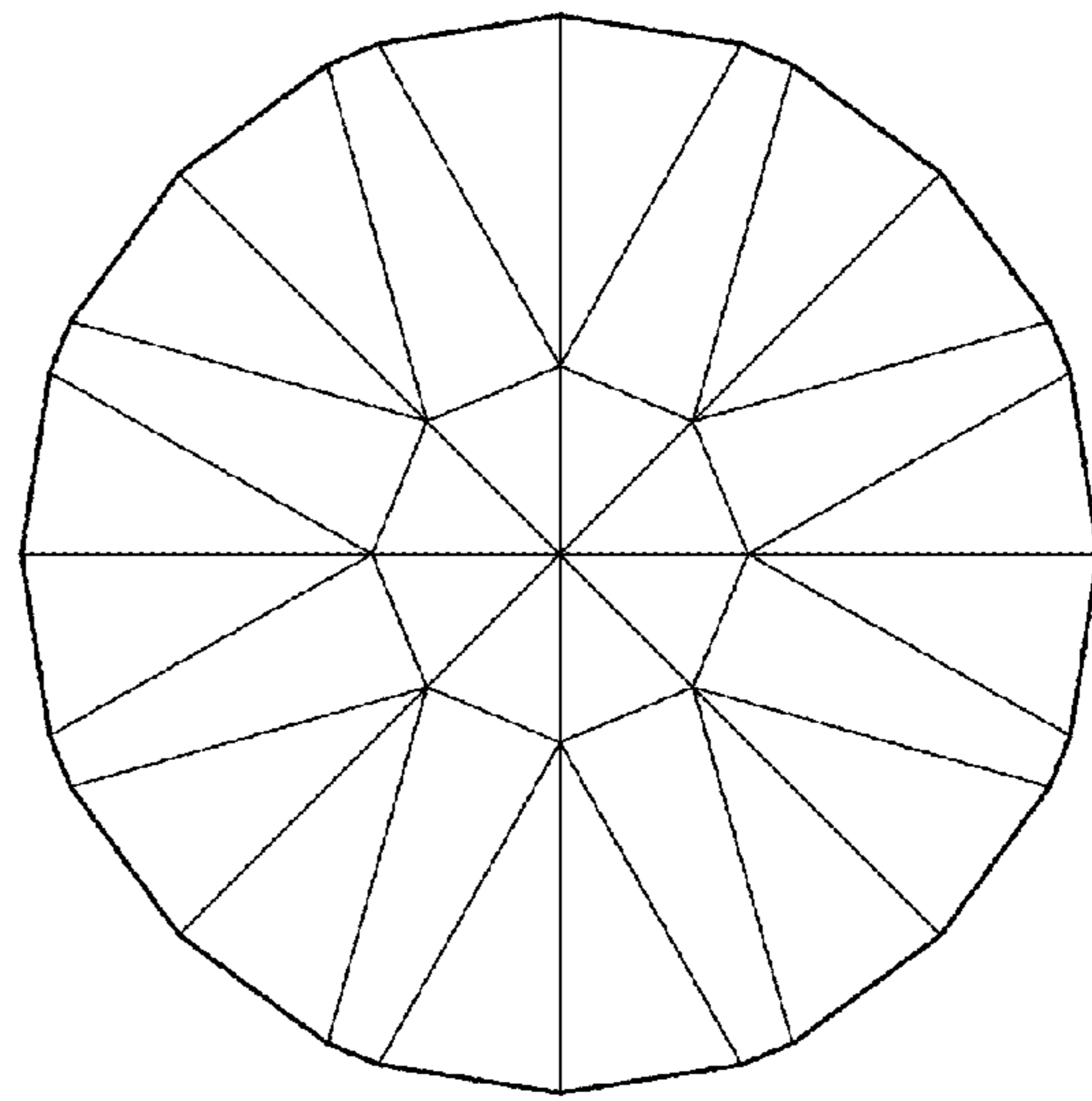


Fig.4

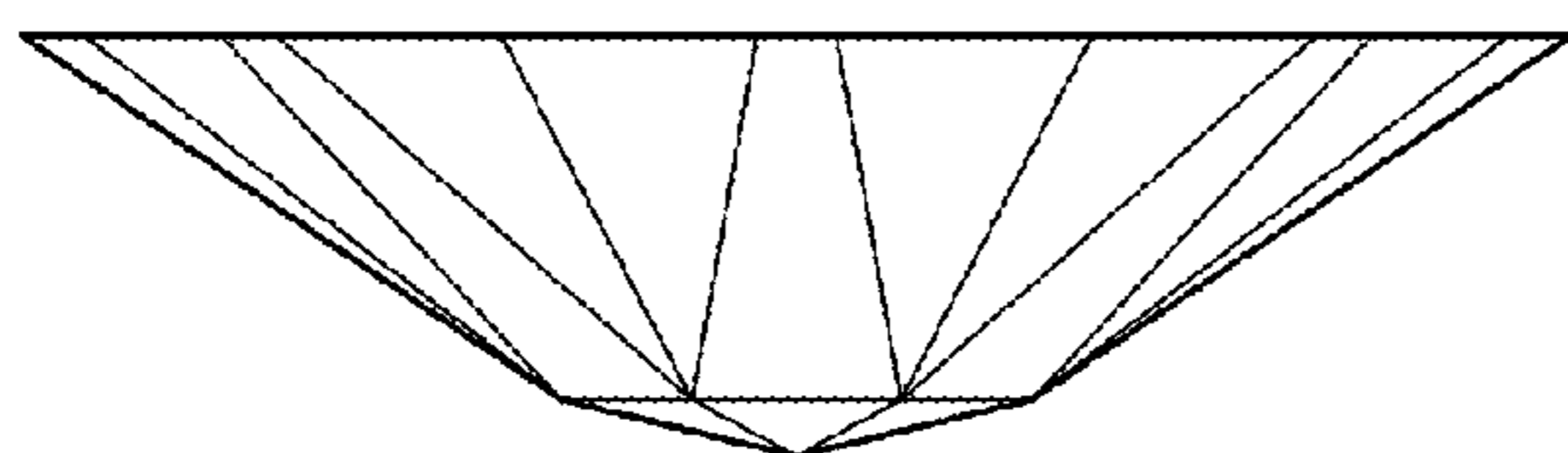


Fig.5

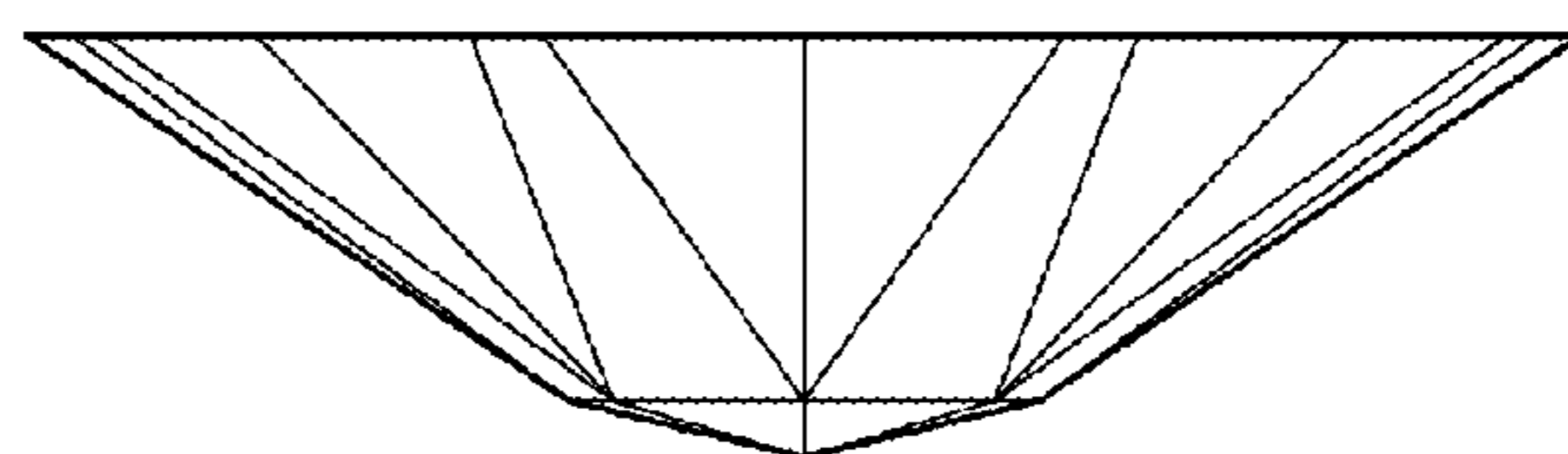


Fig.6