



US00D750217S

(12) **United States Design Patent**  
**Gajewski**

(10) **Patent No.:** **US D750,217 S**

(45) **Date of Patent:** **\*\* Feb. 23, 2016**

(54) **CEILING FAN MOUNT**

(71) Applicant: **Minka Lighting, Inc.**, Corona, CA (US)

(72) Inventor: **Mark Gajewski**, Avila Beach, CA (US)

(73) Assignee: **MINKA LIGHTING, INC.**, Corona, CA (US)

(\*\*) Term: **14 Years**

(21) Appl. No.: **29/501,251**

(22) Filed: **Sep. 2, 2014**

**Related U.S. Application Data**

(63) Continuation-in-part of application No. 29/463,625, filed on Jan. 16, 2014.

(51) **LOC (10) Cl.** ..... **23-04**

(52) **U.S. Cl.**  
USPC ..... **D23/411**

(58) **Field of Classification Search**  
USPC ..... D23/370–385, 411–414, 59;  
392/360–364; 416/5, 170 R, 93 R,  
416/210 R, 223 R, 207  
CPC ..... F04D 29/34; F04D 29/38; F04D 25/088  
See application file for complete search history.

(56) **References Cited**

**U.S. PATENT DOCUMENTS**

D304,229 S \* 10/1989 Rezek ..... D23/377  
D315,599 S \* 3/1991 Freeman ..... D23/411

D352,997 S \* 11/1994 DiPasquale ..... D23/377  
D430,280 S \* 8/2000 Huang ..... D23/377  
D465,297 S \* 11/2002 Thomas ..... D26/83  
D477,068 S \* 7/2003 Hsieh ..... D23/377  
D522,645 S \* 6/2006 Ertze ..... D23/411

\* cited by examiner

*Primary Examiner* — Sandra Snapp

(74) *Attorney, Agent, or Firm* — Baker & McKenzie LLP

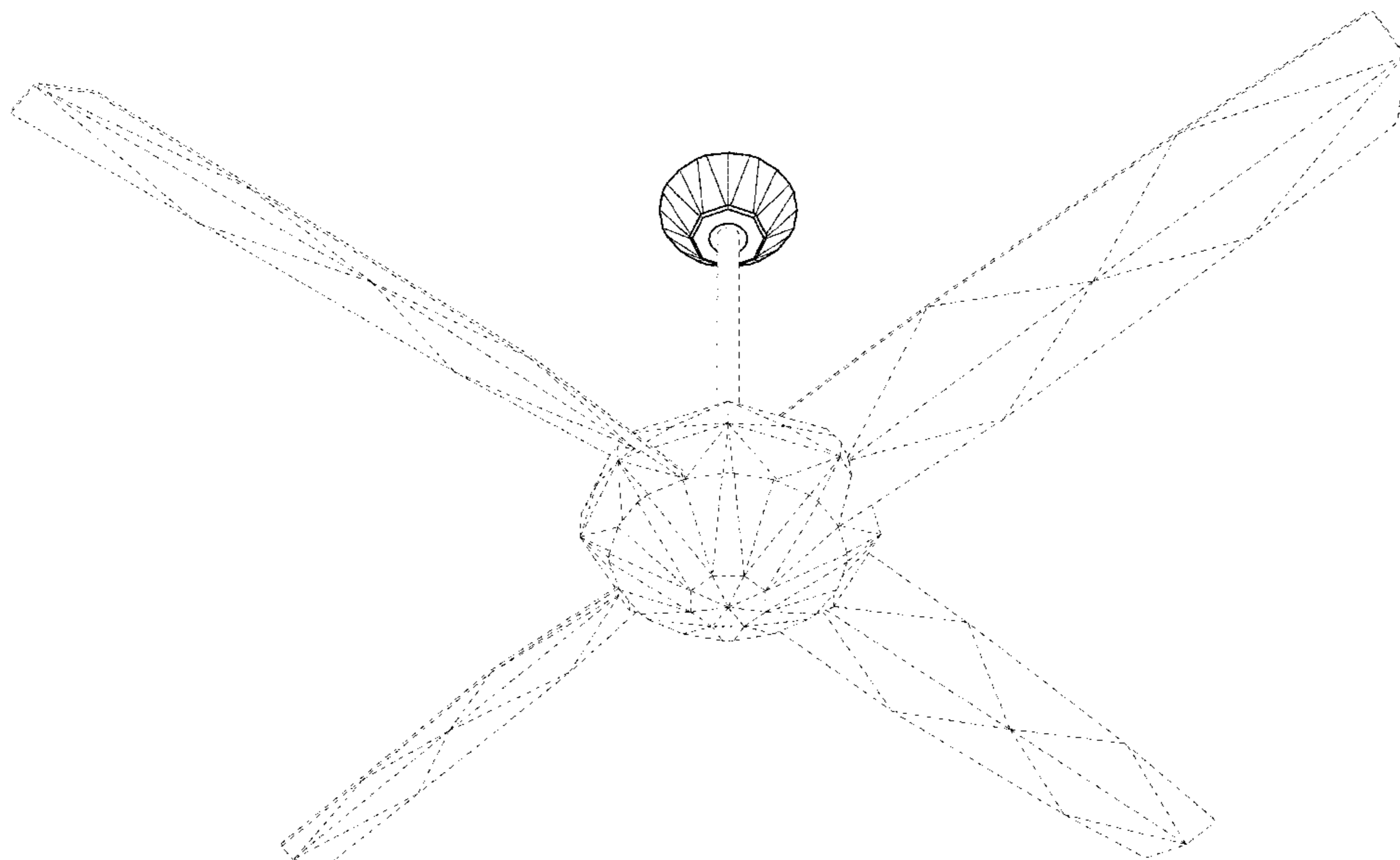
(57) **CLAIM**

The ornamental design for a ceiling fan mount, as shown and described.

**DESCRIPTION**

FIG. 1 is a perspective view of a ceiling fan mount in accordance with my design;  
FIG. 2 is an enlarged bottom perspective view of the ceiling fan mount in accordance with my design;  
FIG. 3 is an enlarged side elevation view of the ceiling fan mount in accordance with my design, the opposite side being a mirror image thereof;  
FIG. 4 is an enlarged front elevation view of the ceiling fan mount in accordance with my design, the rear view being a mirror image thereof;  
FIG. 5 is an enlarged top plan view of the ceiling fan mount in accordance with my design; and,  
FIG. 6 is an enlarged bottom plan view of the ceiling fan mount in accordance with my design.  
The broken-line disclosure of elements is understood to represent portions of the article in which the design is embodied, but which form no part of the claimed design.

**1 Claim, 2 Drawing Sheets**



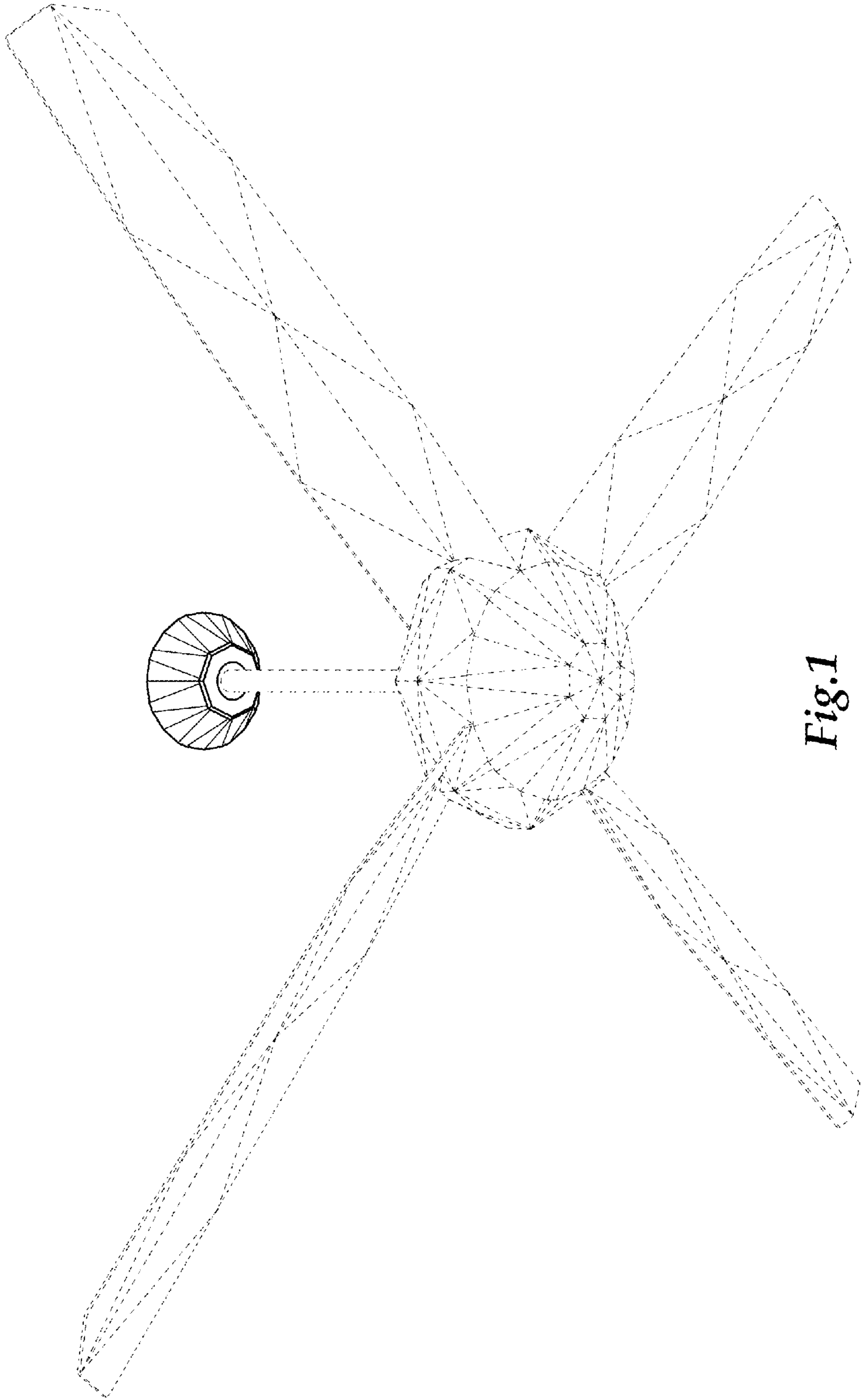
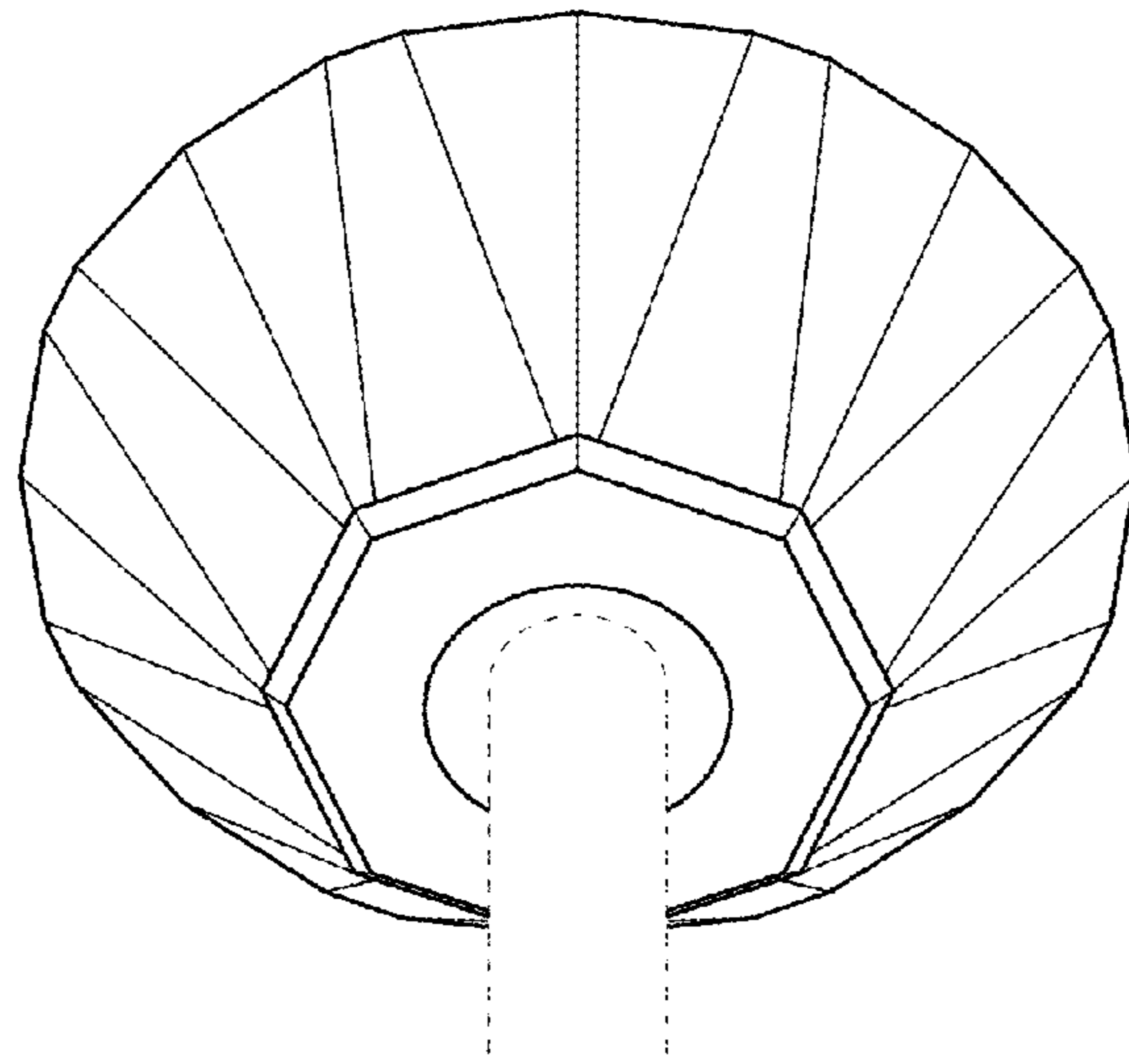
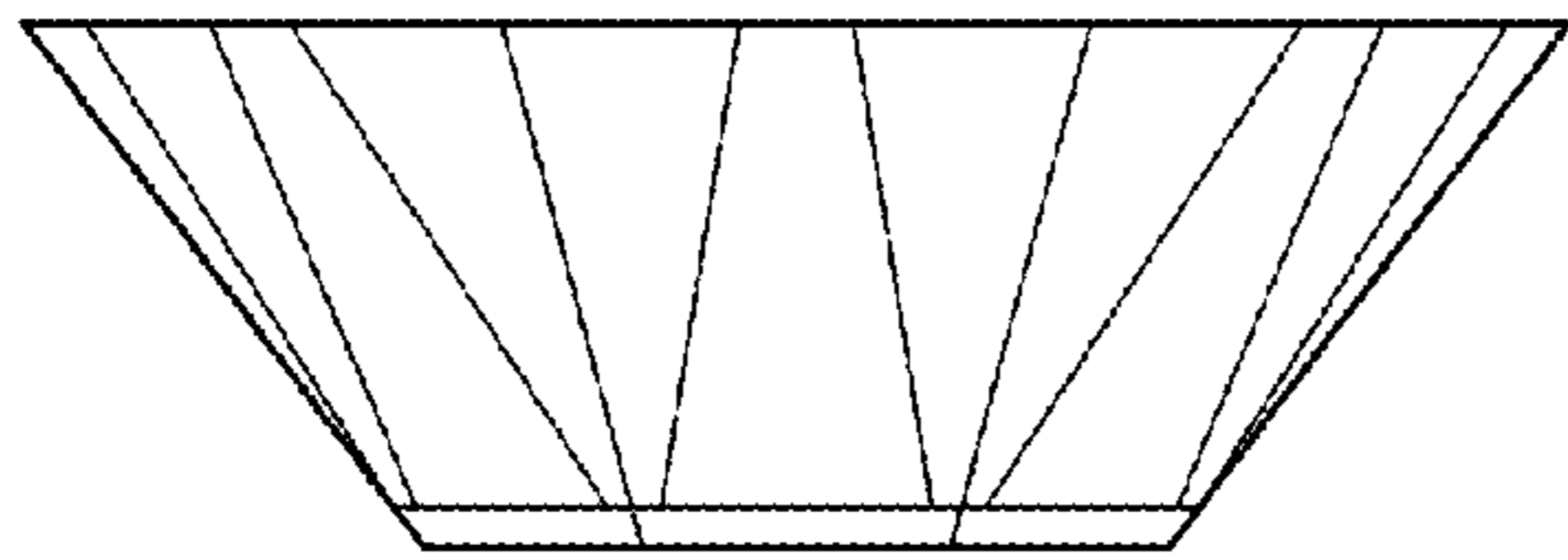


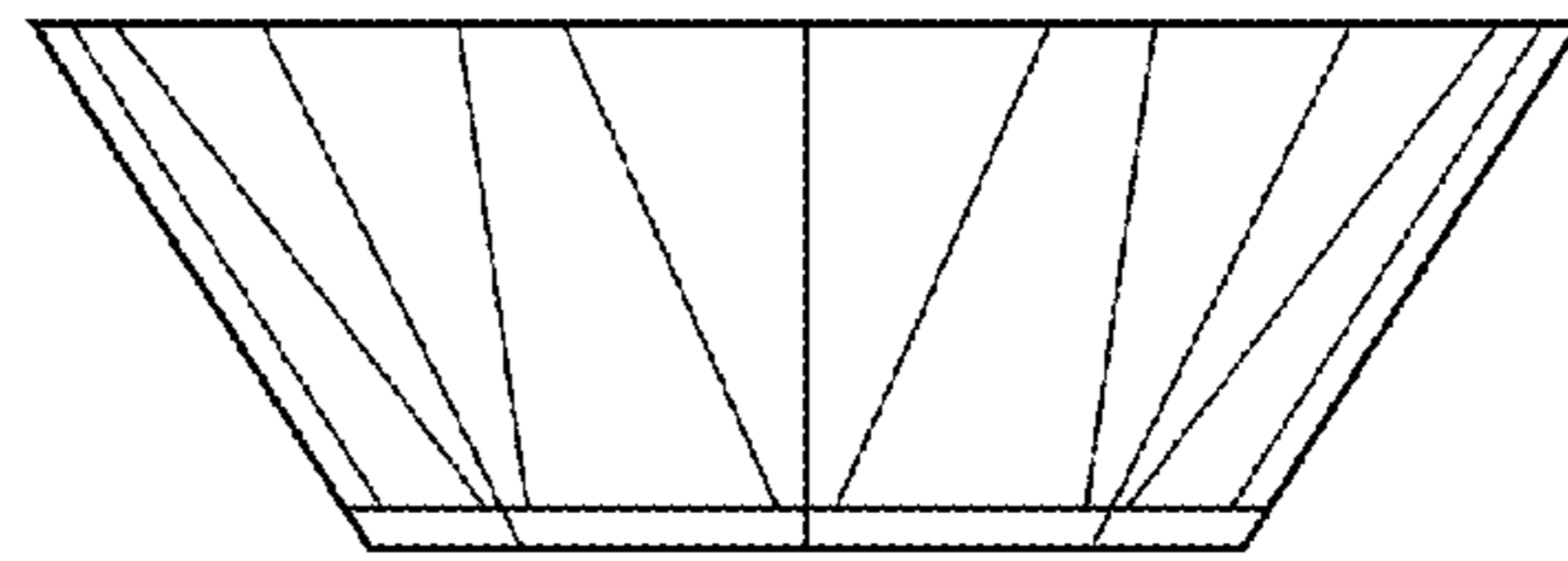
Fig.1



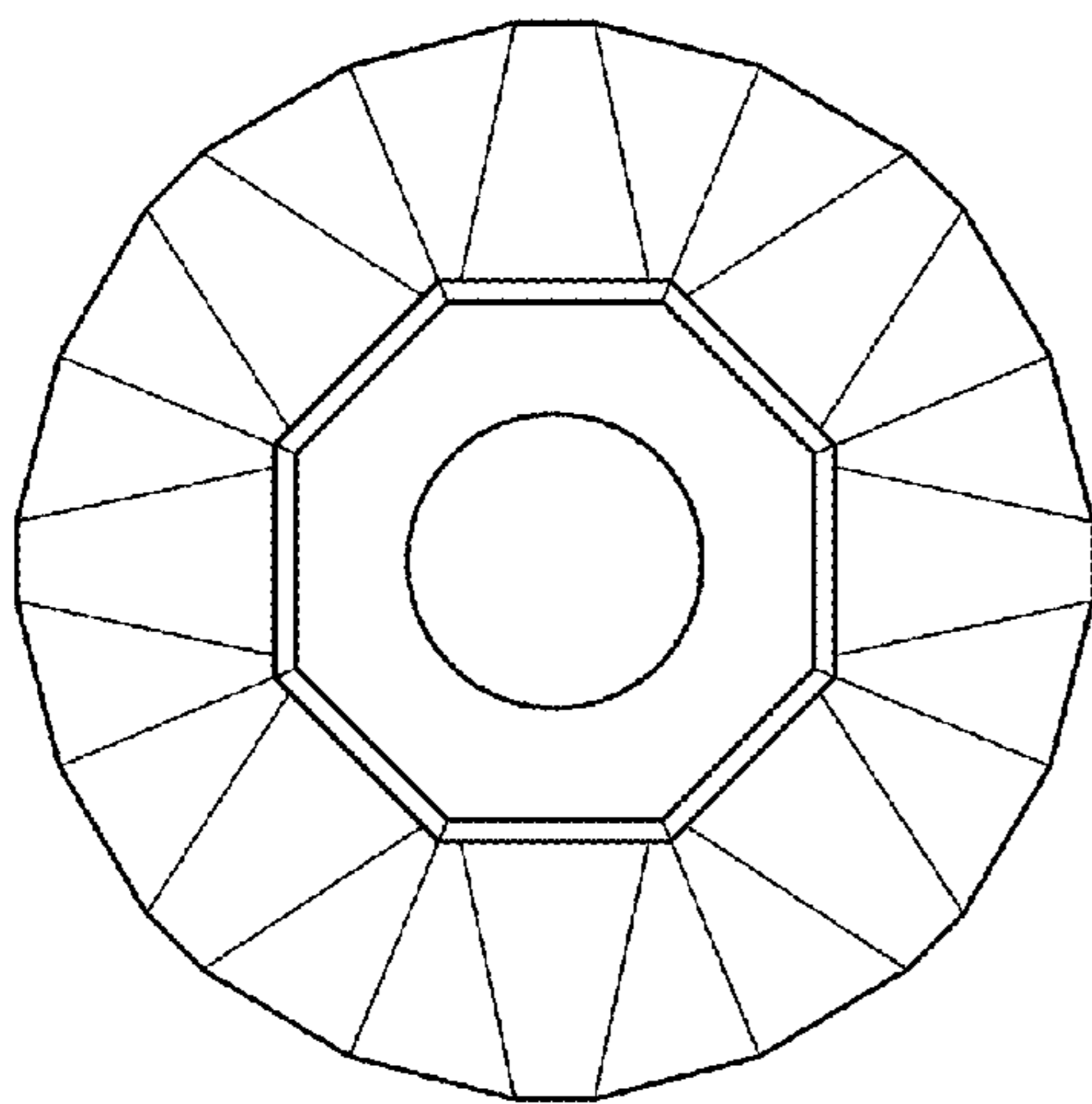
*Fig.2*



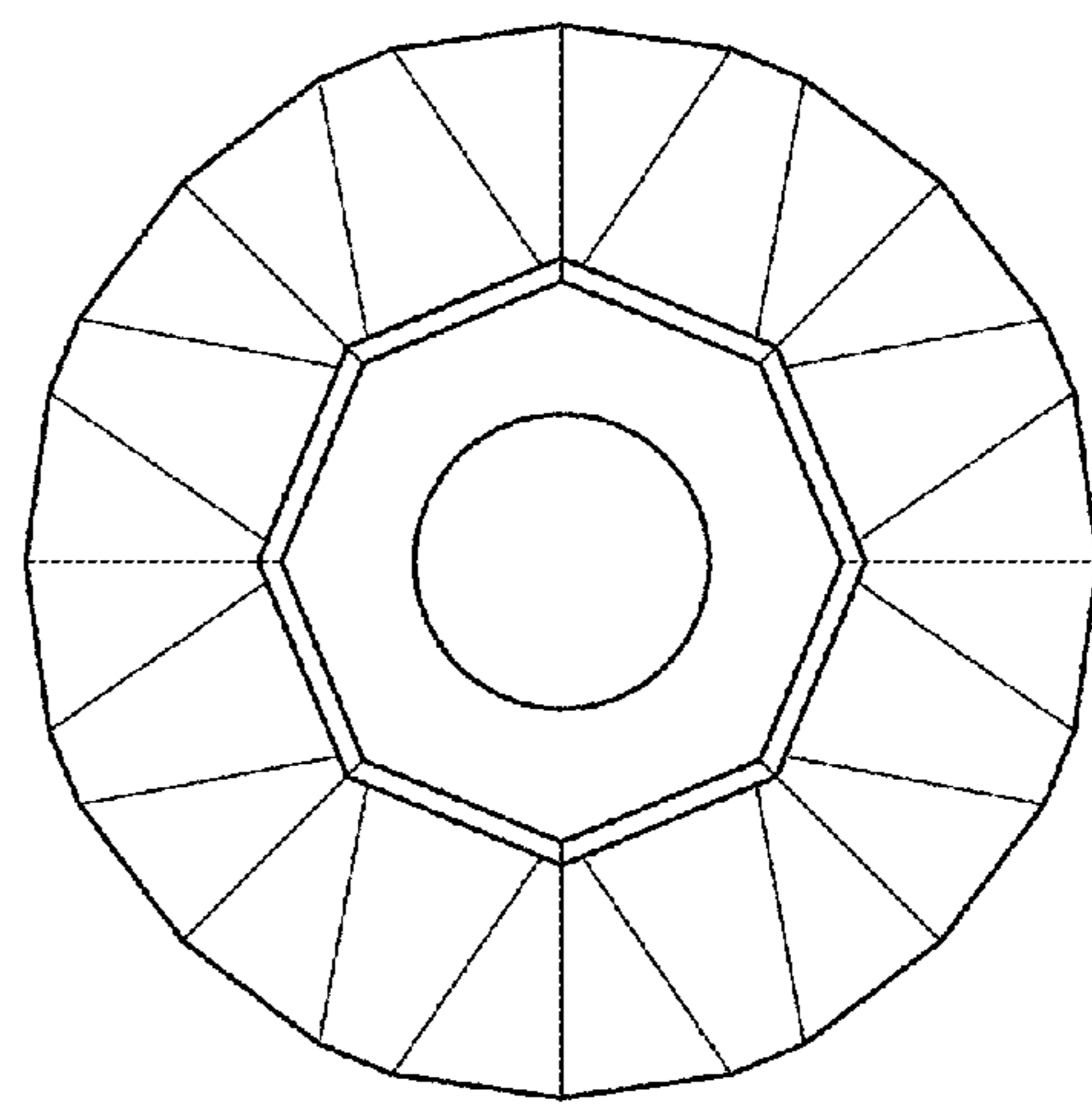
*Fig.3*



*Fig.4*



*Fig.5*



*Fig.6*