



US00D750216S

(12) **United States Design Patent**
Bakker, Jr.

(10) **Patent No.:** **US D750,216 S**

(45) **Date of Patent:** **** Feb. 23, 2016**

(54) **AIR PLENUM**
(71) Applicant: **Michael L. Bakker, Jr.**, Sioux Falls, SD
(US)
(72) Inventor: **Michael L. Bakker, Jr.**, Sioux Falls, SD
(US)

(**) Term: **14 Years**

(21) Appl. No.: **29/501,831**

(22) Filed: **Sep. 9, 2014**

(51) **LOC (10) Cl.** **23-04**

(52) **U.S. Cl.**
USPC **D23/388**

(58) **Field of Classification Search**
USPC D23/385-395, 397, 370-373, 365, 351,
D23/354, 399-403, 421, 499; 454/309,
454/275-277, 284, 287-291, 358-363;
52/302.1, 32.07; 285/229, 189, 183,
285/123.1, 15, 114, 110, 424, 197; 165/59;
34/97

CPC B60H 1/00514; B60H 1/00028
See application file for complete search history.

(56) **References Cited**

U.S. PATENT DOCUMENTS

D253,783 S * 12/1979 Engalitcheff, Jr. D23/351
D269,110 S * 5/1983 Logsdon D23/269
D284,888 S * 7/1986 Morgan D23/370
4,667,581 A * 5/1987 Hovland F24F 7/00
454/260
D371,828 S * 7/1996 Priest D23/269

5,891,207 A * 4/1999 Katta B01D 46/0002
55/385.3
D647,182 S * 10/2011 Gonzalez D23/260
D657,857 S * 4/2012 Choi D23/364
D671,630 S * 11/2012 Hideharu D23/382
D685,891 S * 7/2013 Williams D23/269
D694,870 S * 12/2013 Watson D23/341
D732,155 S * 6/2015 Purnell D23/386
2015/0202942 A1 * 7/2015 Contento B60H 1/00207
165/59

* cited by examiner

Primary Examiner — David Muller

Assistant Examiner — Nathan Johnston

(74) *Attorney, Agent, or Firm* — Dale J. Ream

(57) **CLAIM**

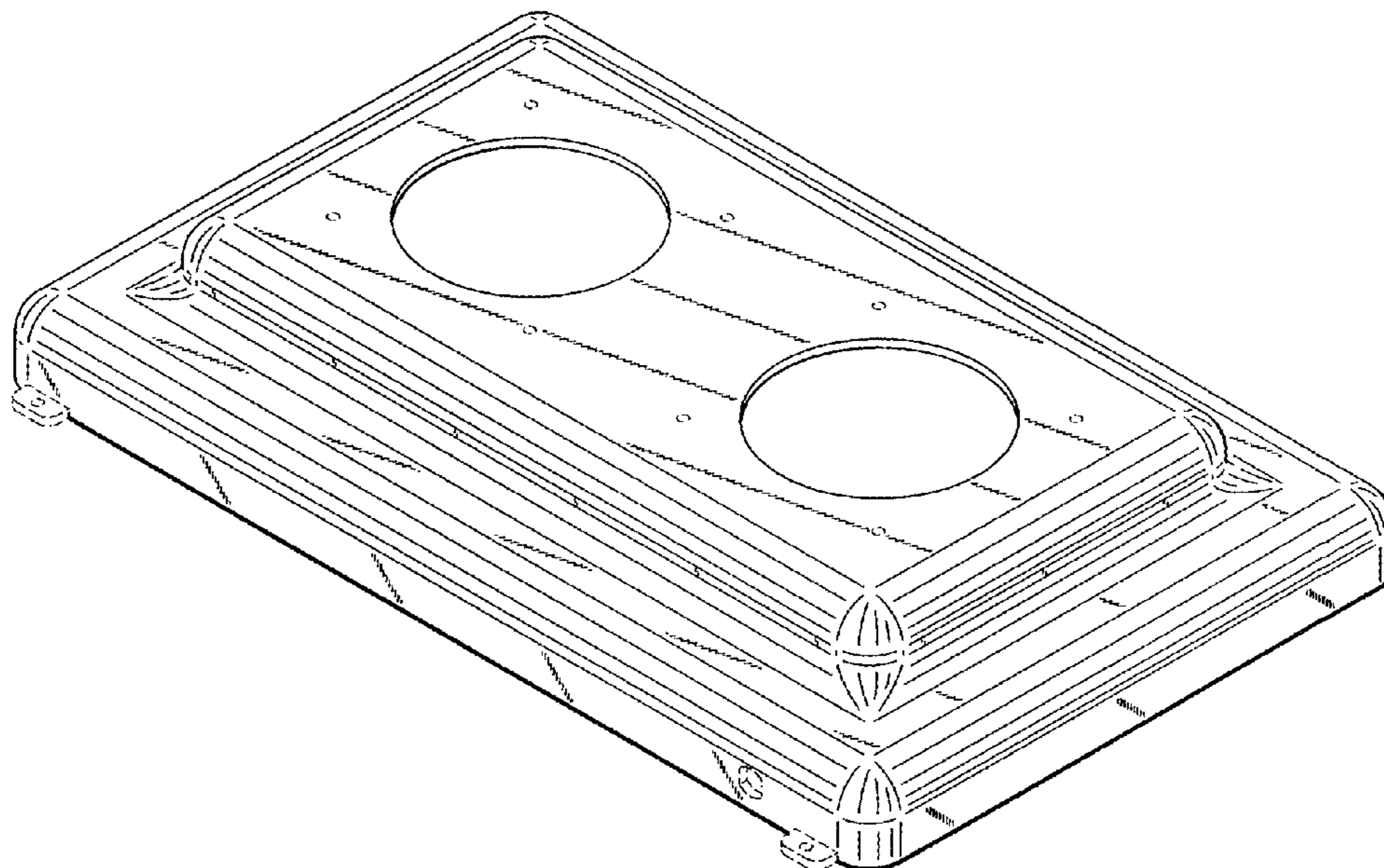
The ornamental design for an air plenum, as shown and described.

DESCRIPTION

FIG. 1 is a perspective view of an air plenum showing my new design;
FIG. 2 is a front elevation view thereof;
FIG. 3 is a back elevation view thereof;
FIG. 4 is a left side elevation view thereof;
FIG. 5 is a right side elevation view thereof;
FIG. 6 is a top plan view thereof; and,
FIG. 7 is a bottom plan view thereof.

The broken line showing of parts of the drawings is included for the purpose of illustrating use and environment and forms no part of the claimed design.

1 Claim, 5 Drawing Sheets



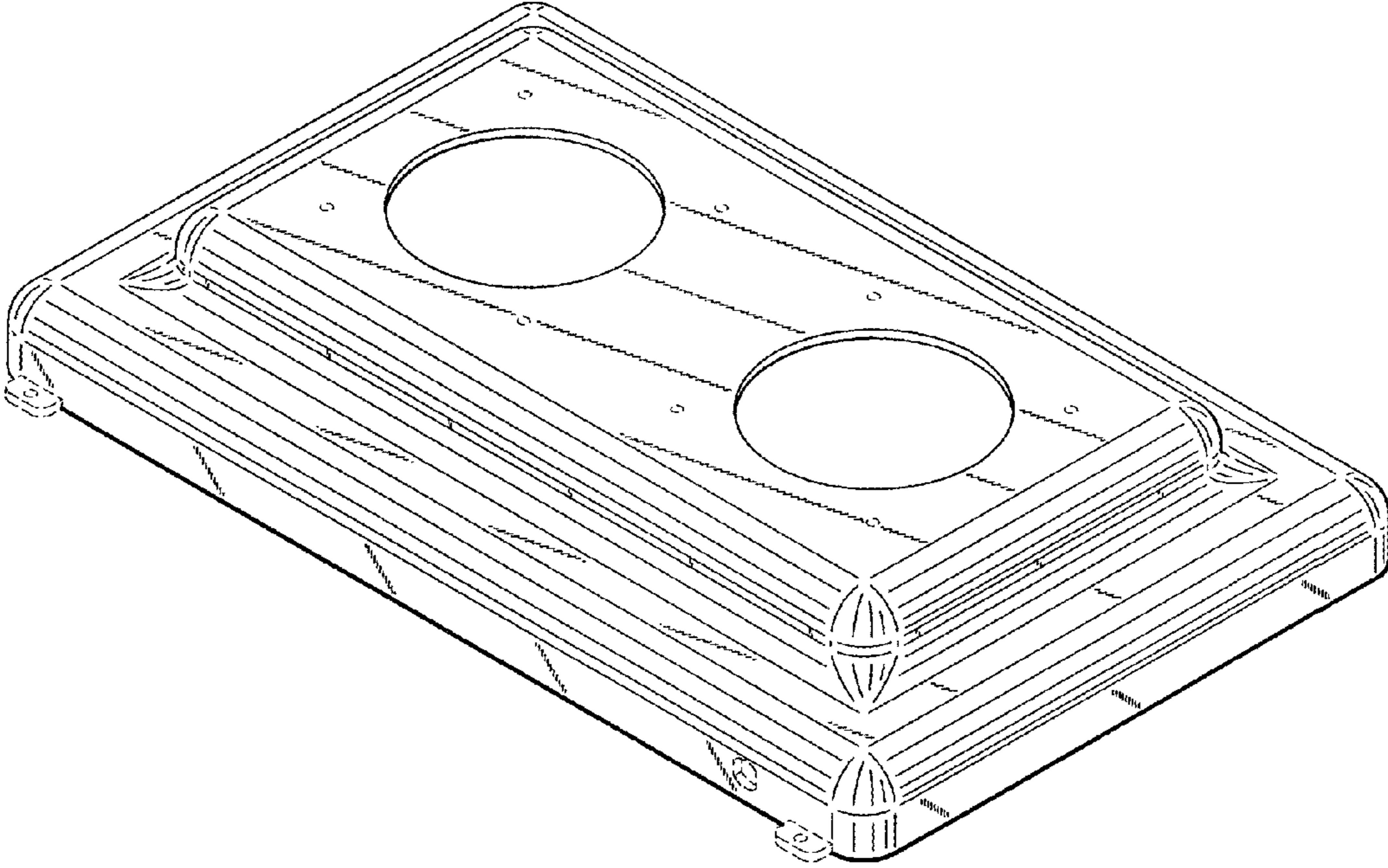


FIG. 1

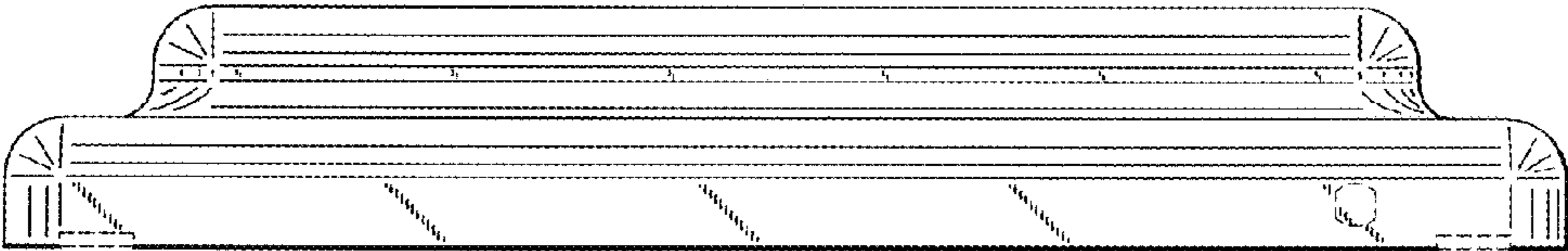


FIG. 2

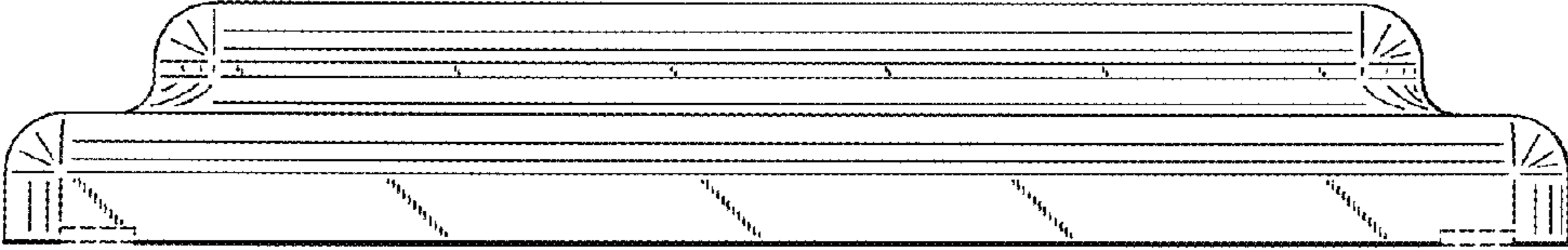


FIG. 3

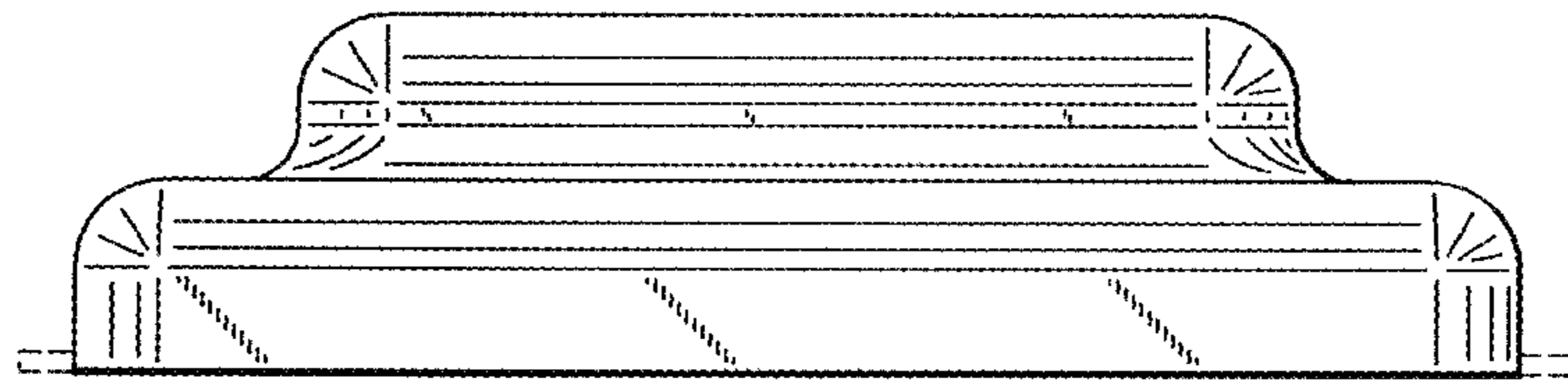


FIG. 4

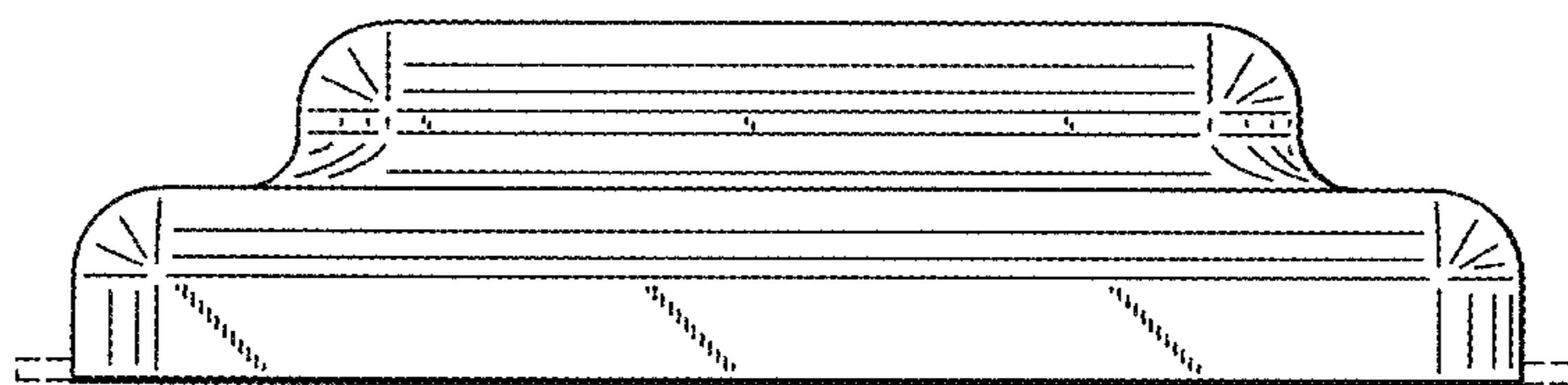


FIG. 5

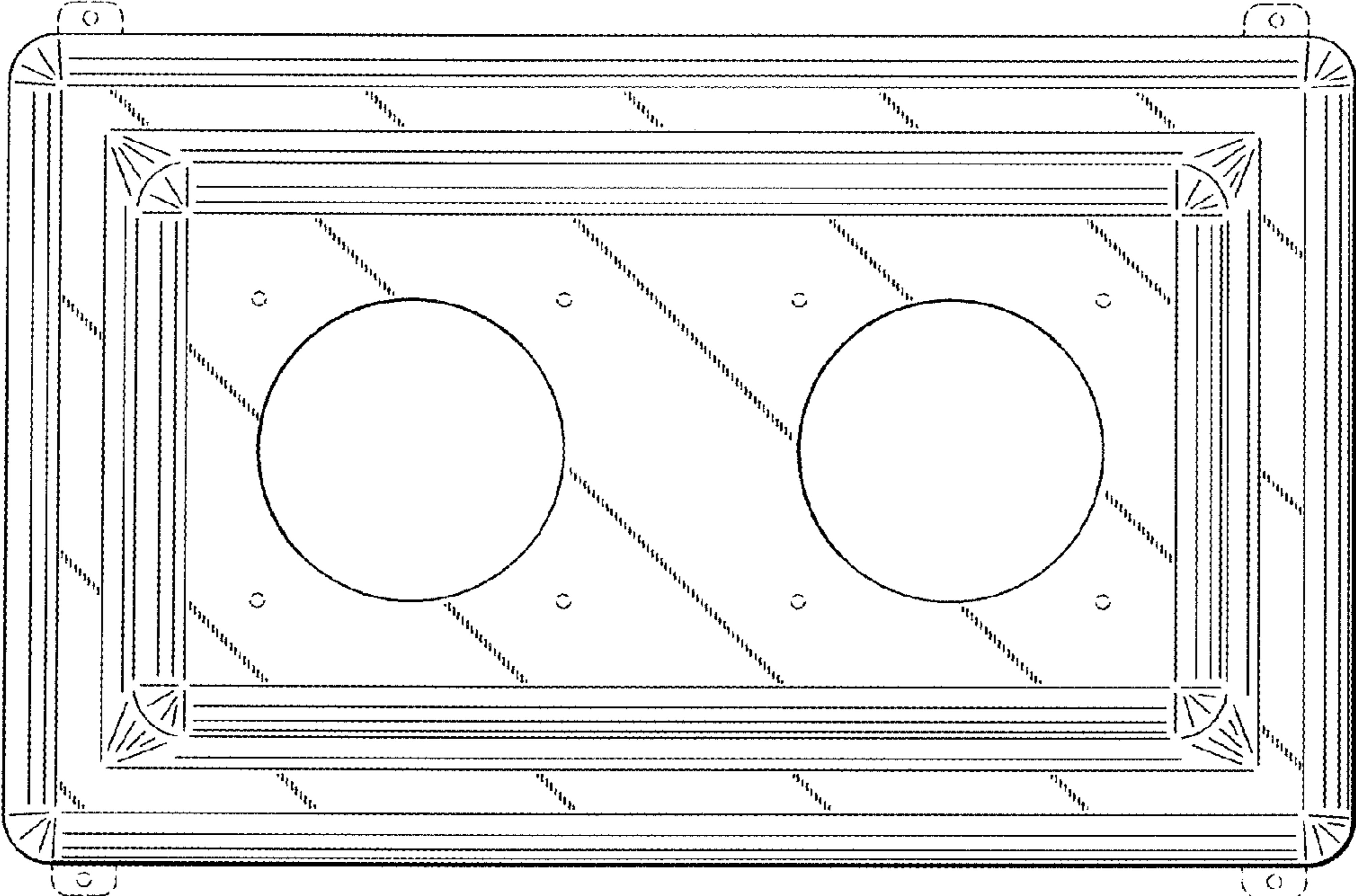


FIG. 6

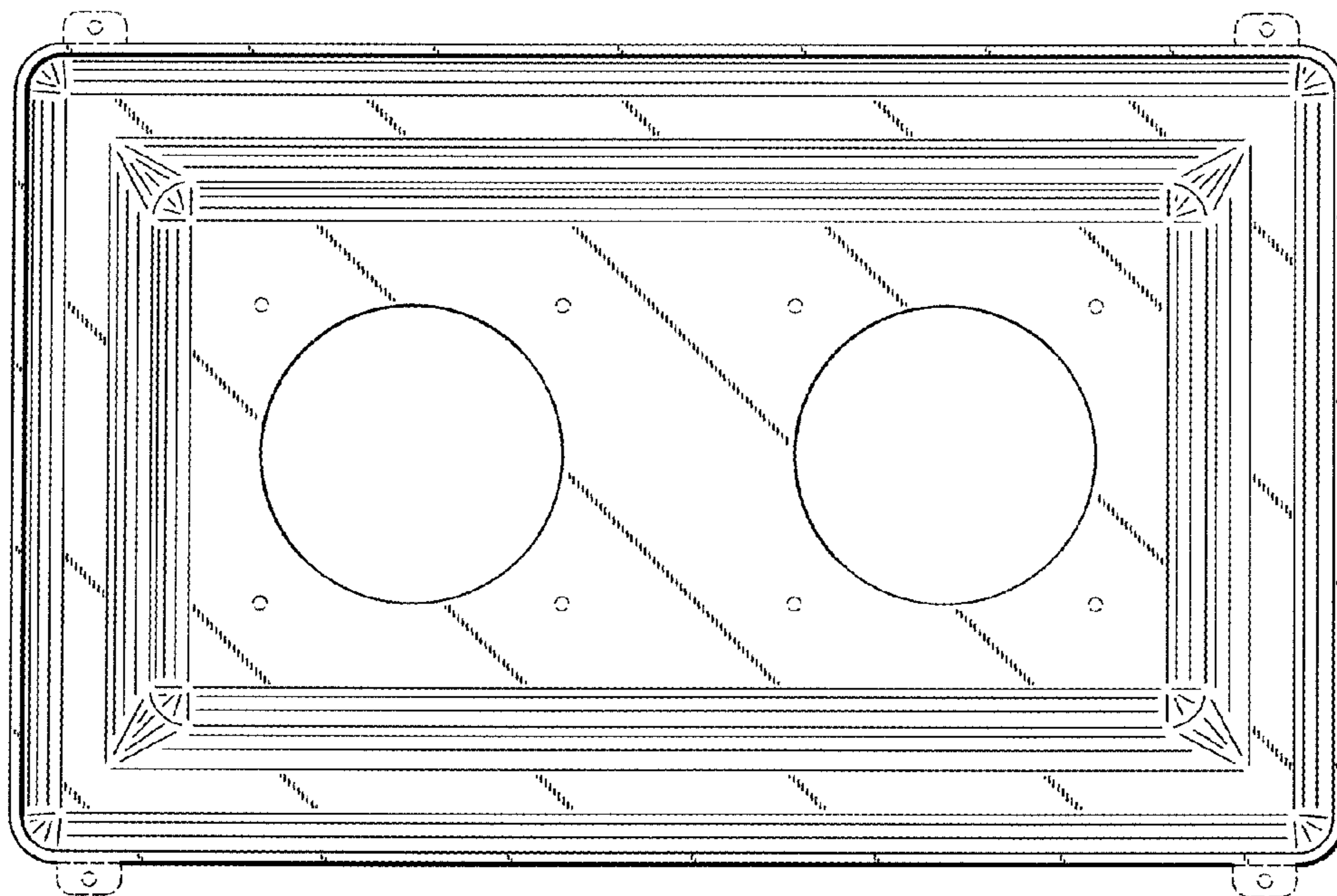


FIG. 7