



US00D750215S

(12) **United States Design Patent**
Gajewski

(10) **Patent No.:** **US D750,215 S**
(45) **Date of Patent:** **** Feb. 23, 2016**

- (54) **CEILING FAN**
- (71) Applicant: **Minka Lighting, Inc.**, Corona, CA (US)
- (72) Inventor: **Mark Gajewski**, Avila Beach, CA (US)
- (73) Assignee: **MINKA LIGHTING, INC.**, Corona, CA (US)
- (**) Term: **14 Years**
- (21) Appl. No.: **29/503,777**
- (22) Filed: **Sep. 29, 2014**

D355,027 S *	1/1995	Young	D23/377
D377,975 S *	2/1997	Young	D23/377
D448,840 S *	10/2001	Gajewski	D23/377
D476,728 S *	7/2003	Gajewski	D23/377
D477,068 S *	7/2003	Hsieh	D23/377
D519,625 S *	4/2006	Young	D23/377
D576,265 S *	9/2008	Bucher	D23/377
D590,489 S *	4/2009	Bucher	D23/377
D627,874 S *	11/2010	Pan	D23/411
2009/0122572 A1 *	5/2009	Page	F04D 25/088 362/555

* cited by examiner

Primary Examiner — Sandra Snapp
(74) *Attorney, Agent, or Firm* — Baker & McKenzie LLP

(57) **CLAIM**
The ornamental design for a ceiling fan, as shown and described.

DESCRIPTION

FIG. 1 is a perspective view of a ceiling fan in accordance with my design;
FIG. 2 is a top plan view of the ceiling fan in accordance with my design;
FIG. 3 is a bottom plan view of the ceiling fan in accordance with my design;
FIG. 4 is a side elevation view of the ceiling fan in accordance with my design, the opposite side being identical thereto; and,
FIG. 5 is a front elevation view of the ceiling fan in accordance with my design, the rear view being identical thereto.
The broken-line disclosure of elements is understood to represent portions of the article in which the design is embodied, but which form no part of the claimed design.

1 Claim, 4 Drawing Sheets

Related U.S. Application Data

(63) Continuation-in-part of application No. 29/463,623, filed on Jan. 16, 2014.

(51) **LOC (10) Cl.** **23-04**

(52) **U.S. Cl.**
USPC **D23/385**

(58) **Field of Classification Search**

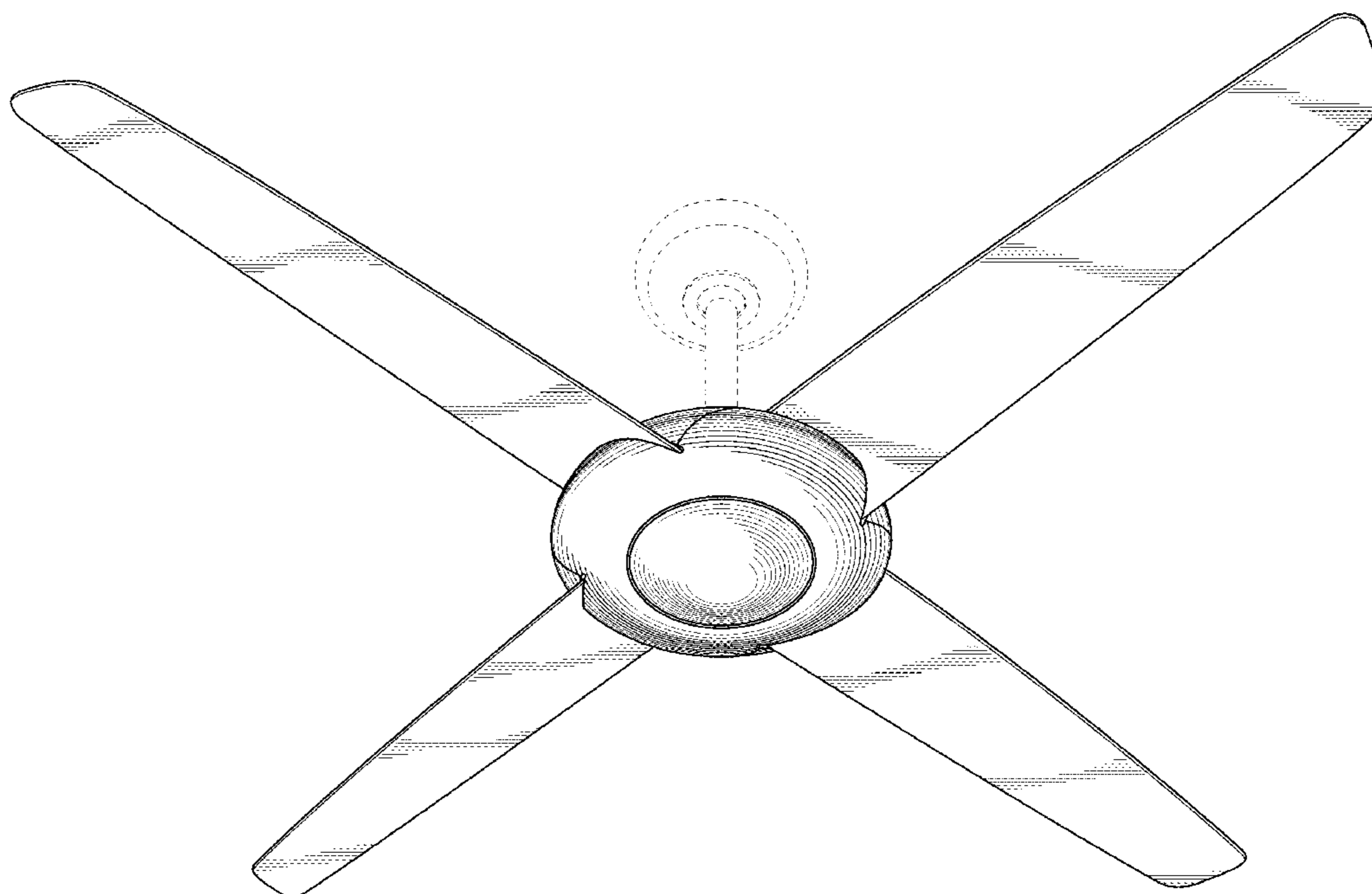
USPC D23/370–385, 411–414, 59;
392/360–364; 416/5, 170 R, 93 R,
416/210 R, 223 R, 207

CPC F04D 29/34; F04D 29/38; F04D 25/088
See application file for complete search history.

(56) **References Cited**

U.S. PATENT DOCUMENTS

D346,438 S *	4/1994	Caldwell	D23/377
D346,858 S *	5/1994	Lee	D23/377



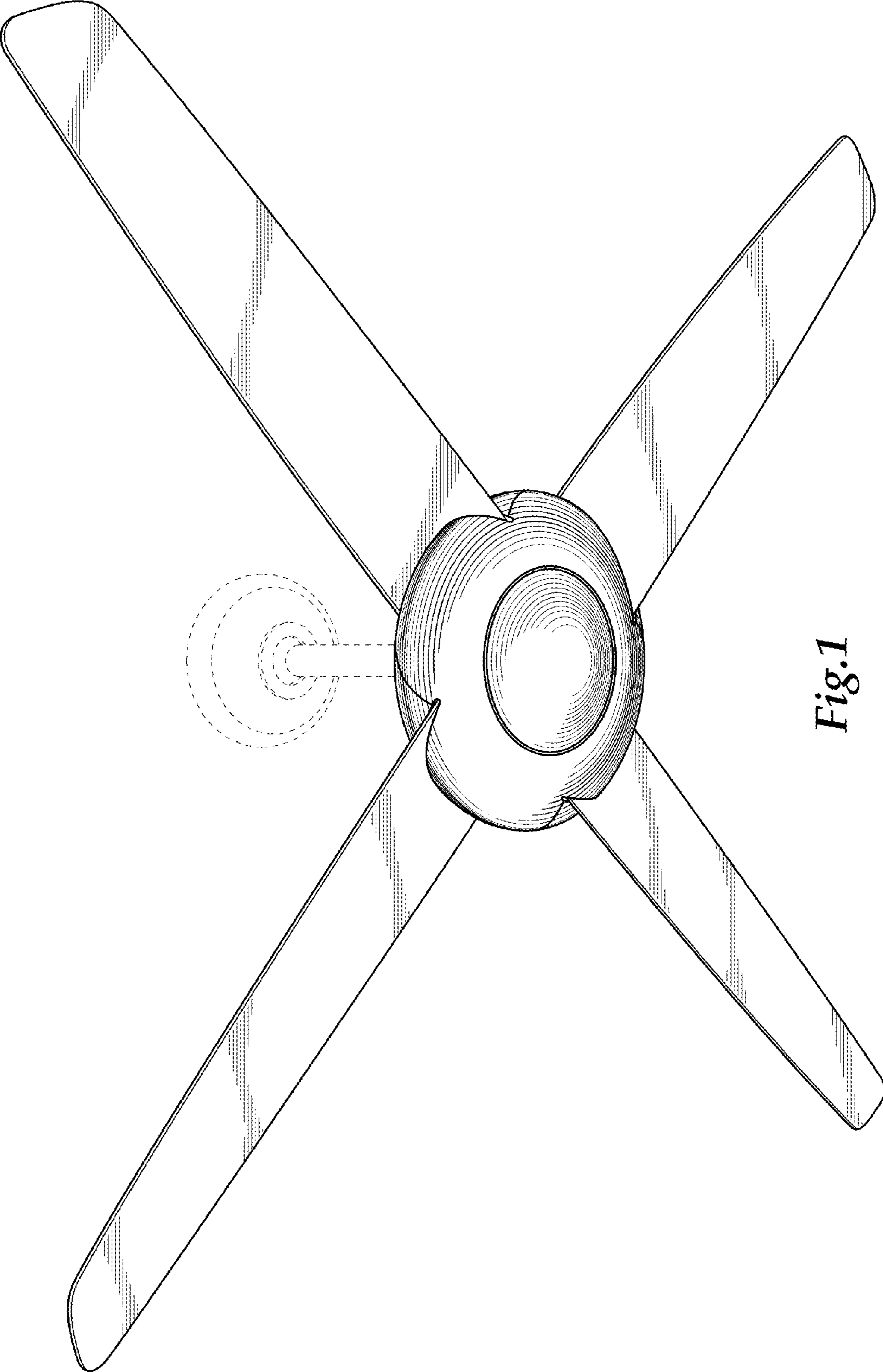


Fig. 1

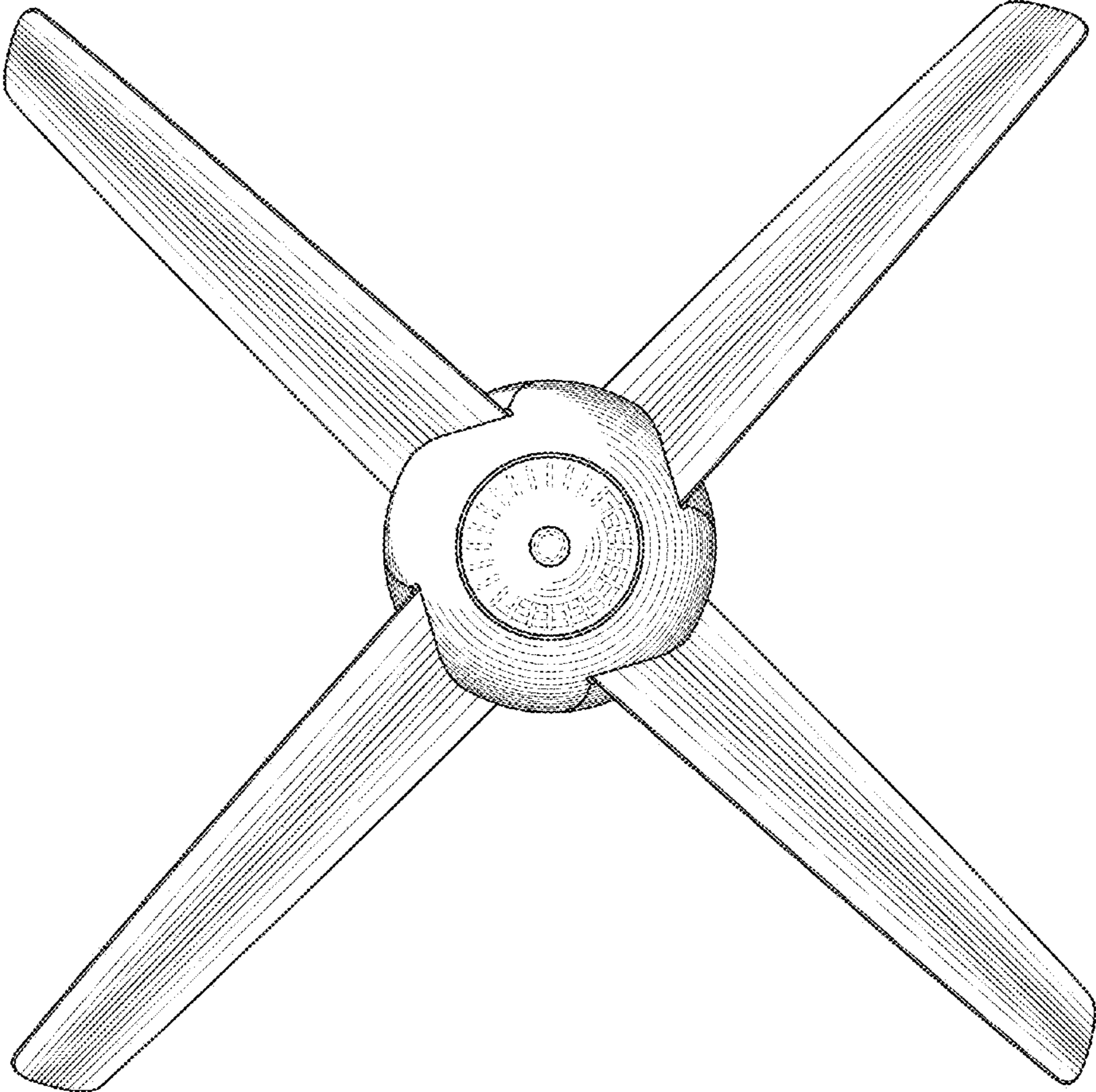


Fig.2

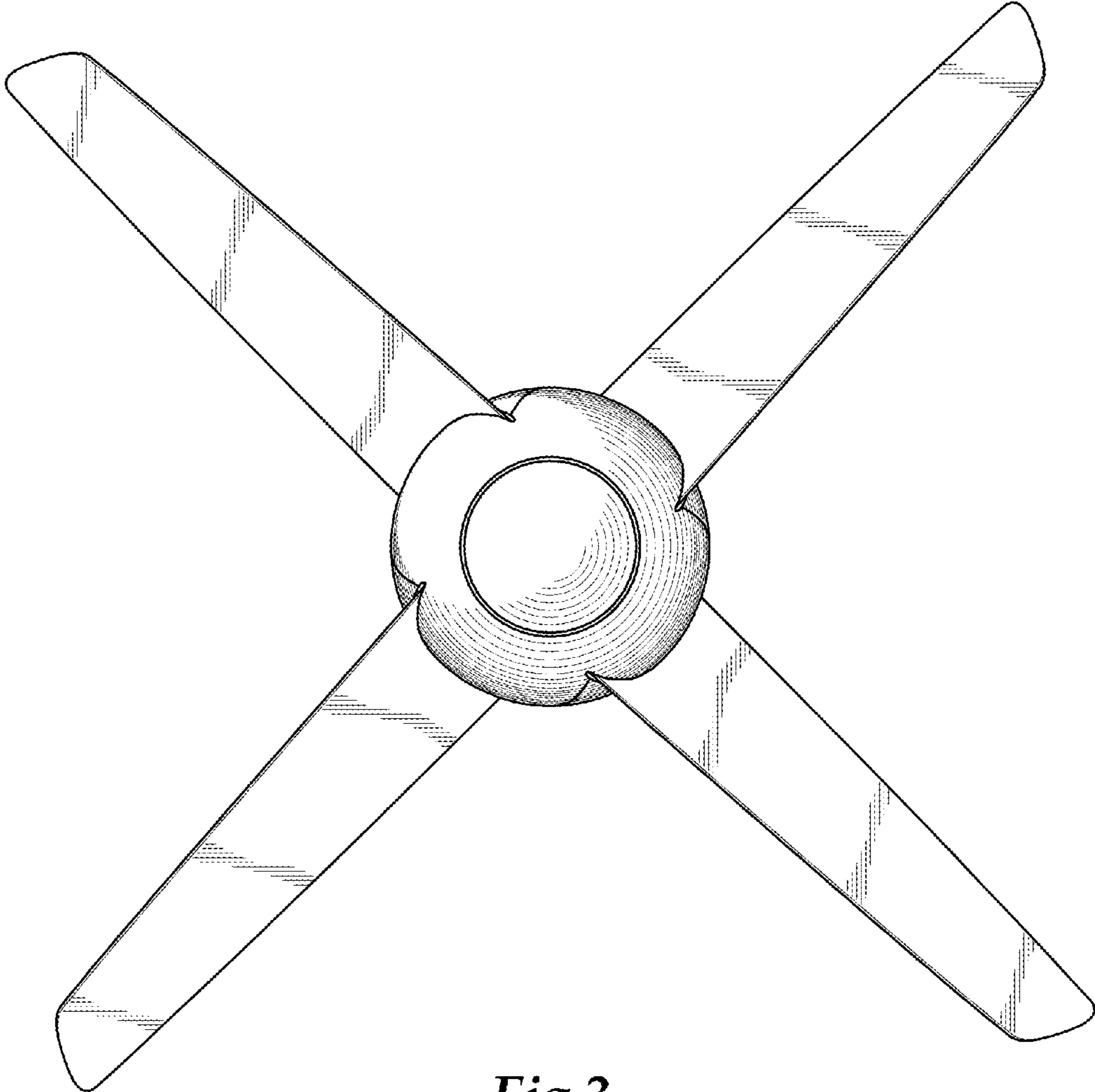


Fig.3

Fig.4

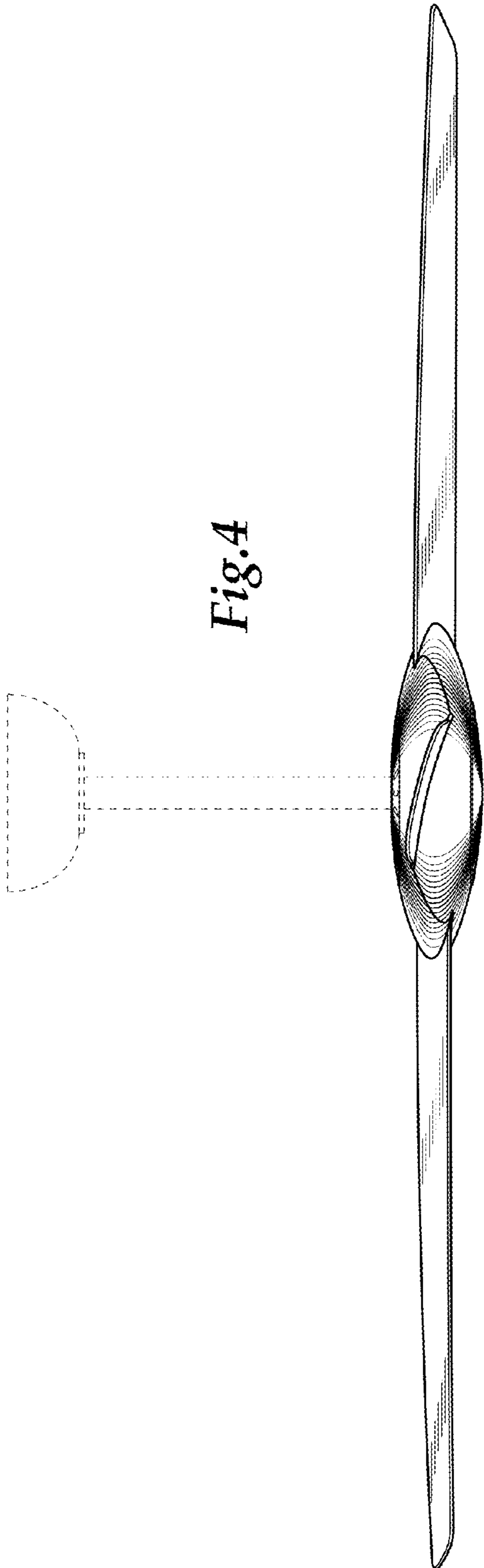


Fig.5

