



US00D750214S

(12) **United States Design Patent**  
**Busta**

(10) **Patent No.:** **US D750,214 S**

(45) **Date of Patent:** **\*\* Feb. 23, 2016**

(54) **CEILING FAN WITH LIGHT FIXTURE**

D394,103 S \* 5/1998 Lee ..... D23/377  
D614,757 S \* 4/2010 Noble ..... D23/377

(71) Applicant: **Minka Lighting, Inc.**, Corona, CA (US)

\* cited by examiner

(72) Inventor: **Jeff Busta**, La Crescenta, CA (US)

*Primary Examiner* — Sandra Snapp

(73) Assignee: **MINKA LIGHTING, INC.**, Corona, CA (US)

(74) *Attorney, Agent, or Firm* — Baker & McKenzie LLP

(\*\*) Term: **14 Years**

(57) **CLAIM**

(21) Appl. No.: **29/503,774**

The ornamental design for a ceiling fan with light fixture, as shown and described.

(22) Filed: **Sep. 29, 2014**

**DESCRIPTION**

**Related U.S. Application Data**

(63) Continuation-in-part of application No. 29/463,624, filed on Jan. 16, 2014.

(51) **LOC (10) Cl.** ..... **23-04**

(52) **U.S. Cl.**  
USPC ..... **D23/385**

(58) **Field of Classification Search**  
USPC ..... D23/370–385, 411–414, 59;  
392/360–364; 416/5, 170 R, 93 R,  
416/210 R, 223 R, 207  
CPC ..... F04D 29/34; F04D 29/38; F04D 25/088  
See application file for complete search history.

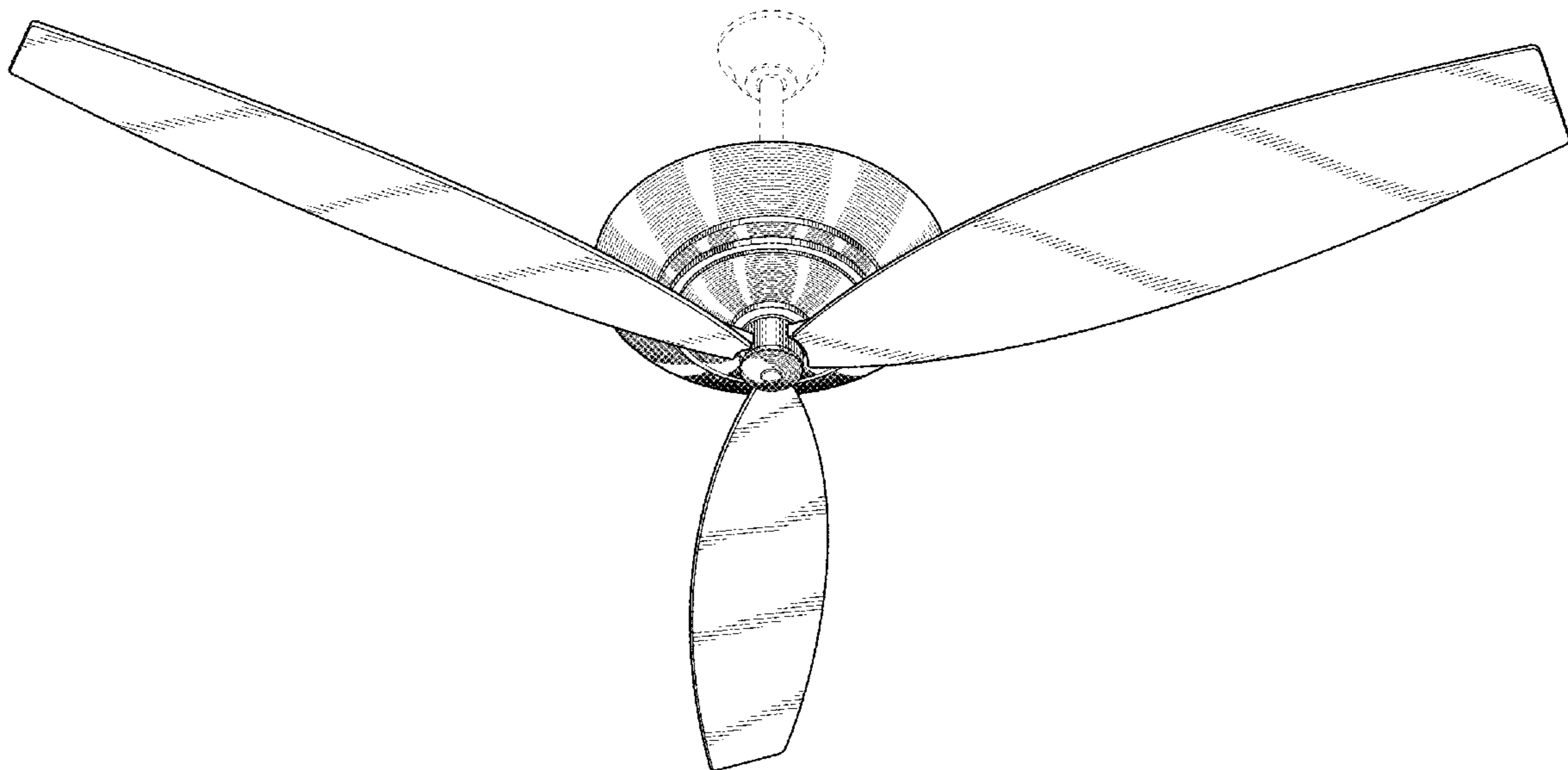
FIG. 1 is a perspective view of a ceiling fan with light fixture in accordance with my design;  
FIG. 2 is a top plan view of the ceiling fan with light fixture in accordance with my design;  
FIG. 3 is a bottom plan view of the ceiling fan with light fixture in accordance with my design;  
FIG. 4 is a front elevation view of the ceiling fan with light fixture in accordance with my design;  
FIG. 5 is a rear elevation view of the ceiling fan with light fixture in accordance with my design;  
FIG. 6 is a right-side elevation view of the ceiling fan with light fixture in accordance with my design; and,  
FIG. 7 is a left-side elevation view of the ceiling fan with light fixture in accordance with my design.  
The broken-line disclosure of elements is understood to represent portions of the article in which the design is embodied, but which form no part of the claimed design.

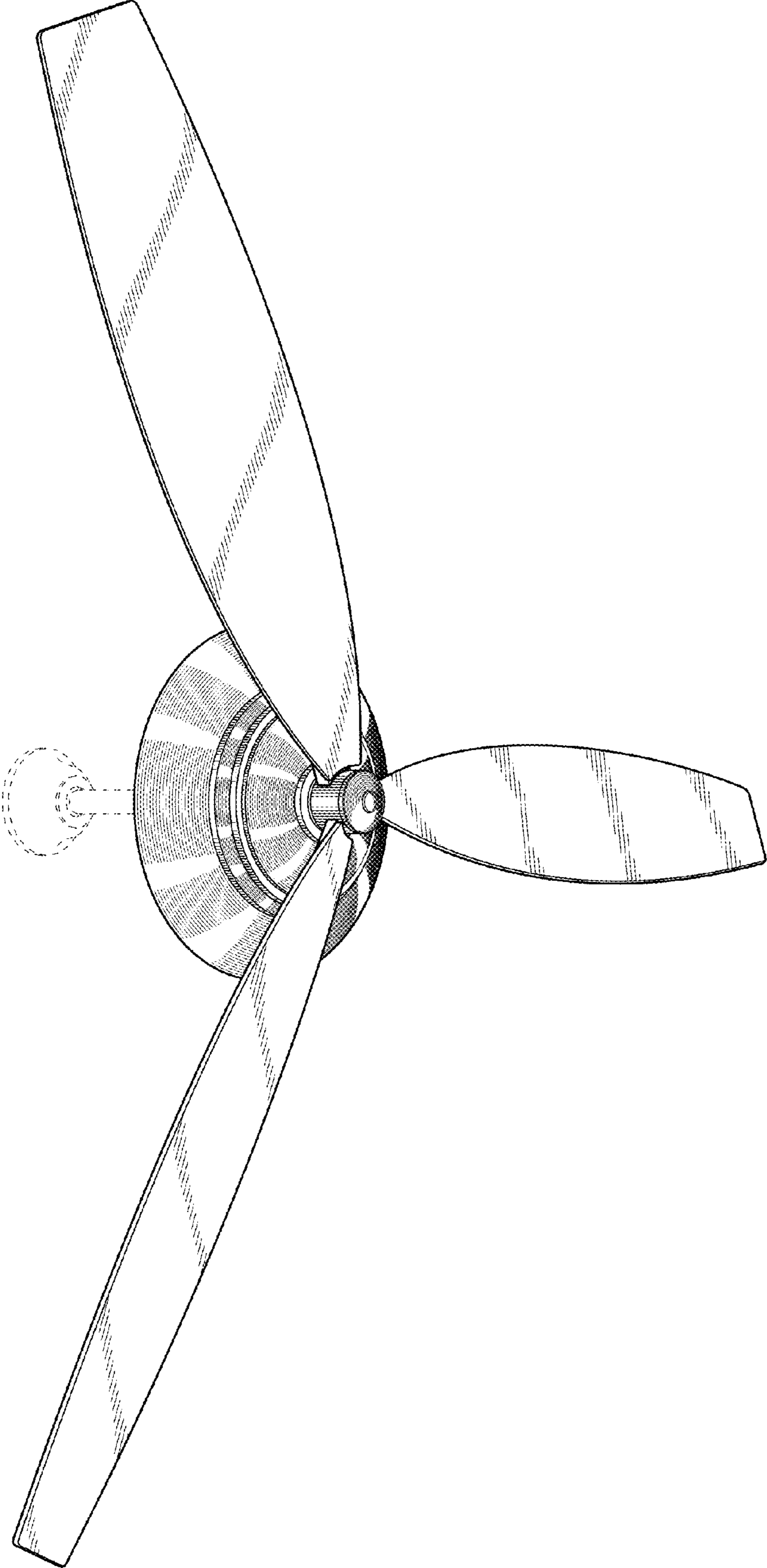
(56) **References Cited**

**U.S. PATENT DOCUMENTS**

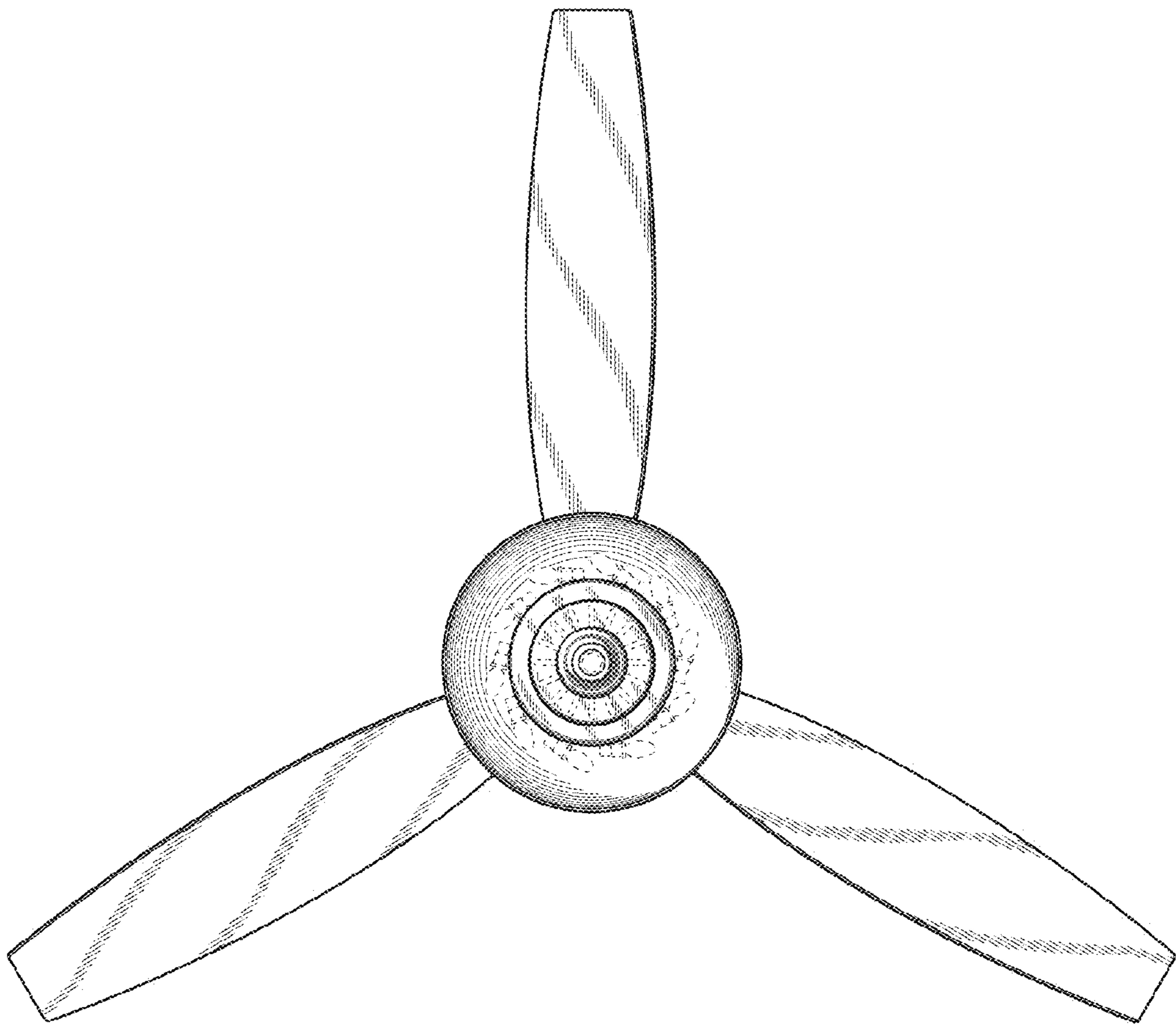
D377,975 S \* 2/1997 Young ..... D23/377

**1 Claim, 5 Drawing Sheets**

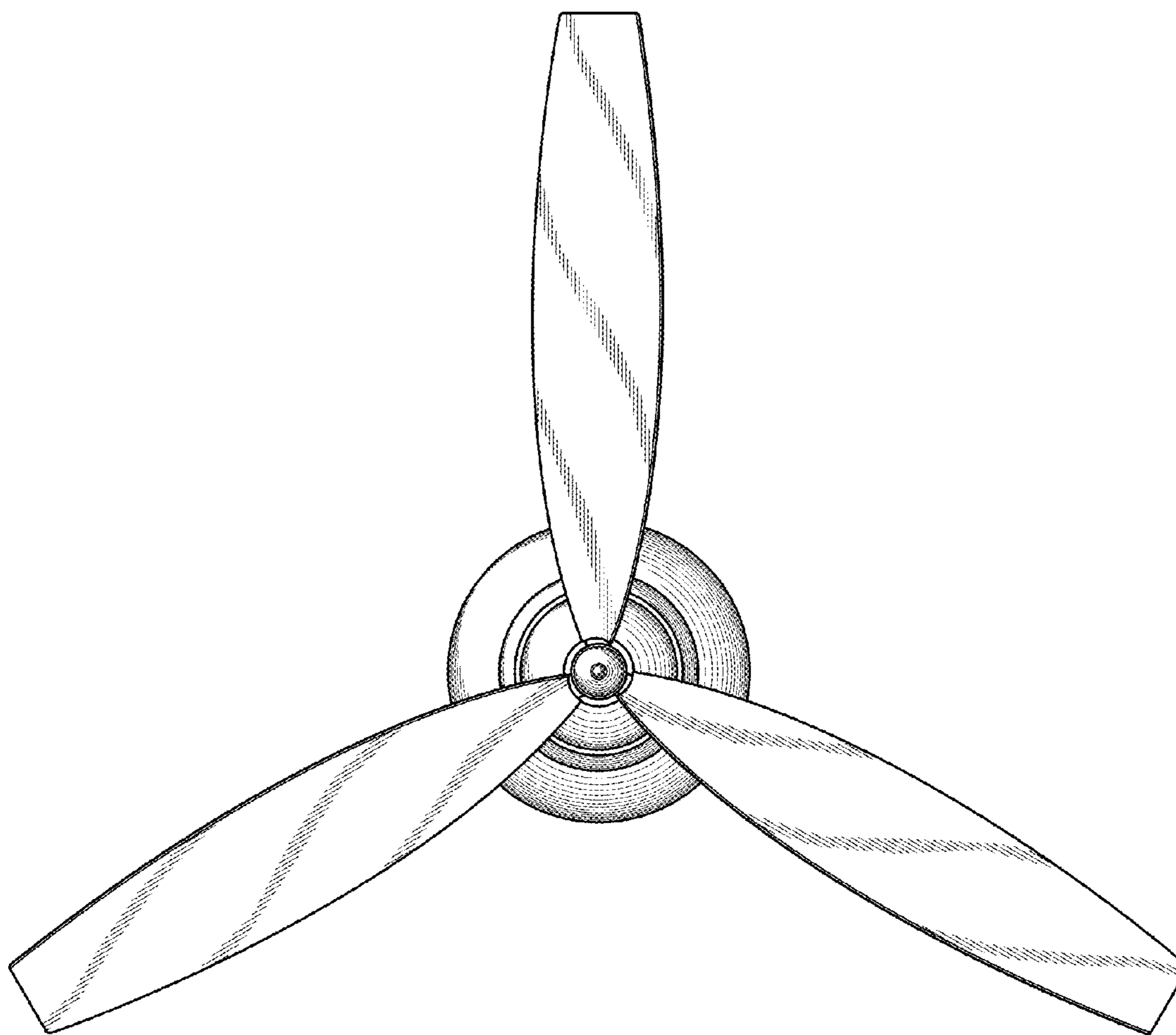




*Fig. 1*



*Fig. 2*



*Fig.3*



