



US00D750212S

(12) **United States Design Patent**
Herbst

(10) **Patent No.:** **US D750,212 S**
(45) **Date of Patent:** **** Feb. 23, 2016**

- (54) **DESK FAN WITH RIBS**
- (71) Applicant: **O2COOL, LLC**, Chicago, IL (US)
- (72) Inventor: **Scot Herbst**, Santa Cruz, CA (US)
- (73) Assignee: **O2COOL, LLC**, Chicago, IL (US)
- (**) Term: **14 Years**

- (21) Appl. No.: **29/502,220**
- (22) Filed: **Sep. 12, 2014**
- (51) **LOC (10) Cl.** **23-04**
- (52) **U.S. Cl.**
USPC **D23/382**
- (58) **Field of Classification Search**
USPC D23/380, 332, 335, 353-369, 370-379,
D23/381-385, 411, 499; D9/526, 689-693;
392/365, 367; 415/53.1-53.3; 416/62,
416/100, 244 R, 246, 247 R; 417/200
CPC ... F04D 25/084; F04D 29/601; F04D 29/388;
F04D 29/4226
See application file for complete search history.

(56) **References Cited**

U.S. PATENT DOCUMENTS

D254,566	S	*	3/1980	Cummins	D23/370
4,365,930	A	*	12/1982	Ogura et al.	415/61
4,457,672	A	*	7/1984	Ogura et al.	417/360
D310,712	S	*	9/1990	Del Fresno	D23/335
D334,056	S	*	3/1993	Cook	D23/382
D387,151	S	*	12/1997	Fok	D23/381
D398,983	S	*	9/1998	Keller et al.	D23/382
D429,326	S	*	8/2000	Fok	D23/381
D435,899	S	*	1/2001	Melwani	D23/382
D449,373	S	*	10/2001	Pinchuk	D23/382
D459,460	S	*	6/2002	Melwani	D23/370
D460,542	S	*	7/2002	Li	D23/328
D529,597	S	*	10/2006	Mombauer	D23/379
D531,296	S	*	10/2006	Chen	D23/370
D546,436	S	*	7/2007	Chen	D23/382

D546,437	S	*	7/2007	Chen	D23/382
D546,933	S	*	7/2007	Chen	D23/382
D556,892	S	*	12/2007	Chen	D23/413
D564,084	S	*	3/2008	Chen	D23/382
D565,721	S	*	4/2008	Chen	D23/382
D566,260	S	*	4/2008	Chen	D23/382
D578,635	S	*	10/2008	Chan	D23/382

(Continued)

OTHER PUBLICATIONS

Zeitech DC fan series. beecrazy.hk(online). pp. 4 and 5 of 10. Posted at least as early Nov. 1, 2013 [retrieved on Nov. 18, 2014]. Retrieved from Internet: <https://web.archive.org/web/20131022083844/http://www.beecrazy.hk/zh_tw/deals/4-mini-dc-fan-12-dc-stand-wall-fan.*>

(Continued)

Primary Examiner — Susan Bennett Hattan
Assistant Examiner — Marie Fast Horse
(74) *Attorney, Agent, or Firm* — Thompson Coburn LLP

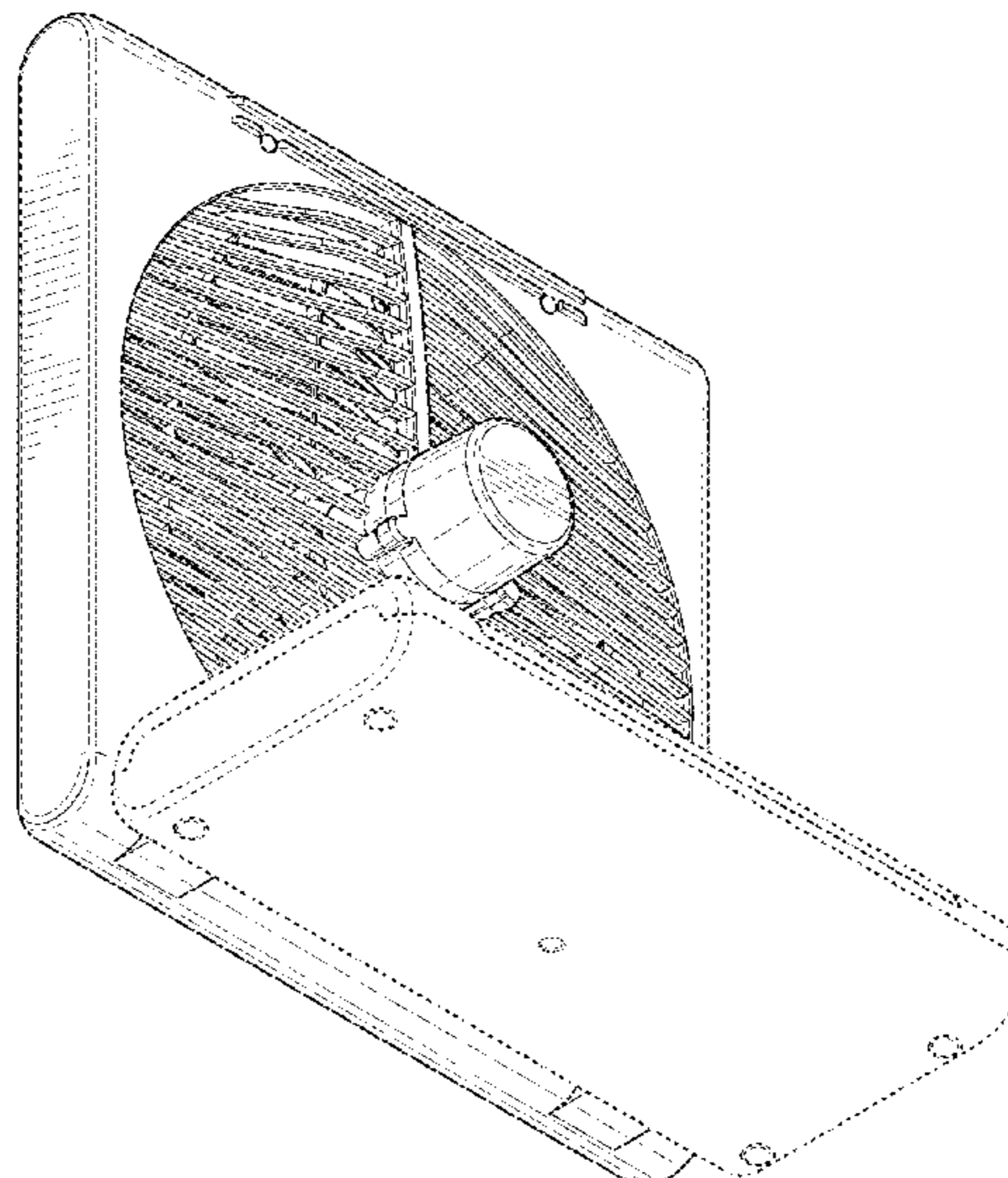
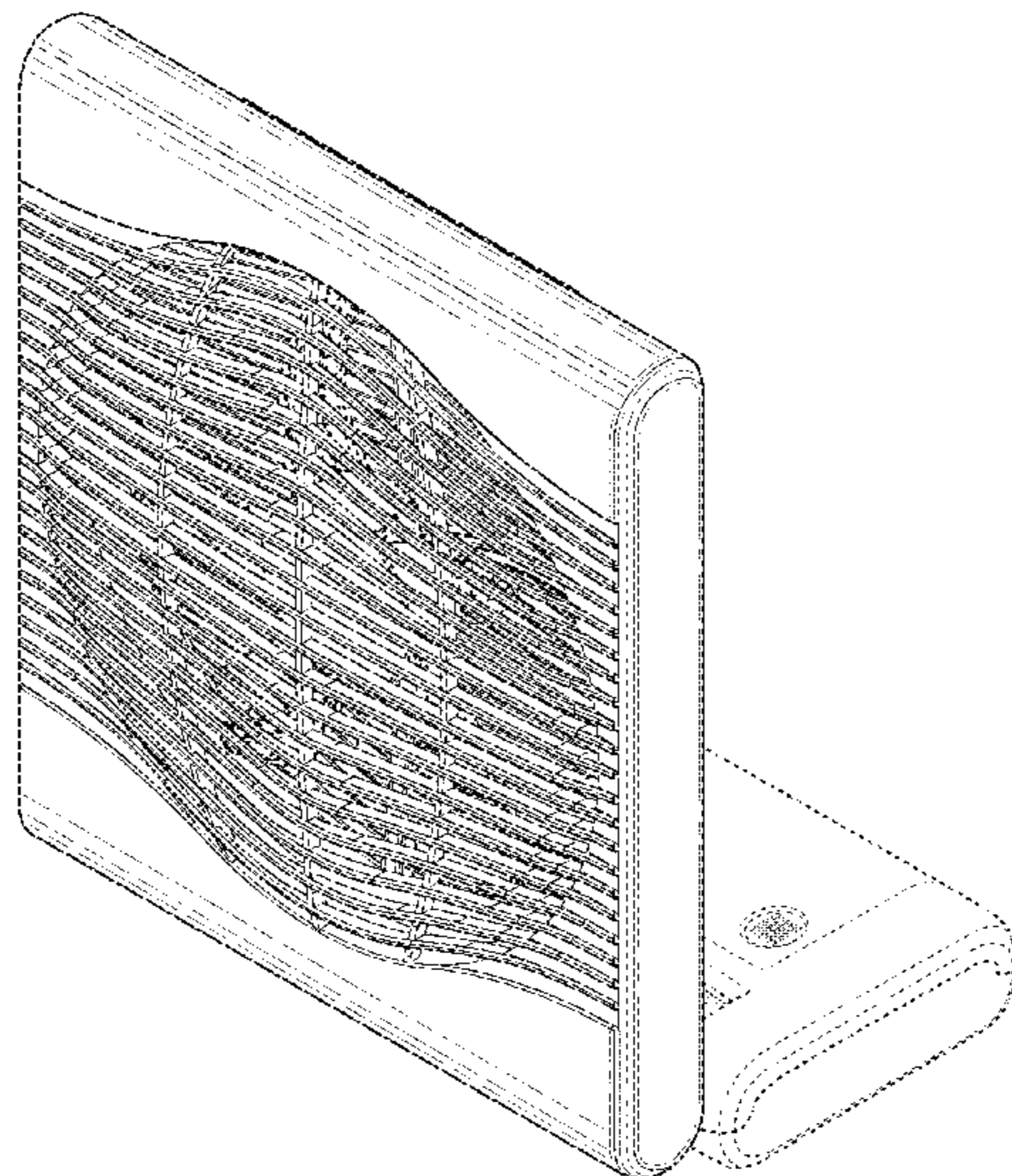
(57) **CLAIM**

I claim the ornamental design for a the desk fan with ribs, as shown and described.

DESCRIPTION

FIG. 1 is a perspective view taken from the right top front corner of the desk fan with ribs showing our new design; FIG. 2 is a perspective view taken from the right bottom rear corner of the desk fan with ribs; FIG. 3 is a front view thereof; FIG. 4 is a rear view thereof; FIG. 5 is a right side view thereof; FIG. 6 is a left side view thereof; FIG. 7 is a top plan view thereof; and, FIG. 8 is a bottom view thereof. The broken lines in the drawings depict environmental subject matter only and form no part of the claimed design.

1 Claim, 7 Drawing Sheets



(56)

References Cited

U.S. PATENT DOCUMENTS

D580,539 S * 11/2008 Rittri et al. D23/364
 D595,836 S * 7/2009 Ediger et al. D23/411
 D596,284 S * 7/2009 Ediger et al. D23/411
 D597,195 S * 7/2009 Zhuang D23/411
 D597,196 S * 7/2009 Ediger et al. D23/411
 D610,671 S * 2/2010 Zhuang et al. D23/382
 D614,276 S * 4/2010 Harris et al. D23/364
 D671,630 S * 11/2012 Hideharu et al. D23/382
 D673,256 S * 12/2012 Shapiro D23/411
 D679,373 S * 4/2013 Spoerl et al. D23/382
 D681,186 S * 4/2013 Pan D23/411
 D683,010 S * 5/2013 Chen D23/370
 D684,249 S * 6/2013 Herbst D23/370
 D684,680 S * 6/2013 Herbst D23/411
 D685,079 S * 6/2013 Herbst D23/382
 D689,599 S * 9/2013 Herbst D23/382

D689,600 S * 9/2013 Herbst D23/382
 D701,298 S * 3/2014 Daisaku D23/370
 D721,431 S * 1/2015 Herbst et al. D23/382
 2011/0223016 A1* 9/2011 Ediger et al. 415/213.1
 2013/0108481 A1* 5/2013 Hoye 417/234
 2013/0315727 A1* 11/2013 Ho 415/213.1

OTHER PUBLICATIONS

O2 Cool 8" Battery or Electric Portable Fan. Walmart.com(online). 8 pgs. Posted at least as early Jun. 24, 2011 [retrieved on Nov. 18, 2014]. Retrieved from Internet: <<http://www.walmart.com/ip/O2-Cool-8-Battery-or-Electric-Portable-Fan/15992438>>.*
 O2 Cool 5" Battery Operated Desk Fan. Walmart.com(online). 8 pgs. Posted at least as early Apr. 22, 2011 [retrieved on Nov. 18, 2014]. Retrieved from Internet: <<http://www.walmart.com/ip/O2-Cool-5-Portable-Battery-Operated-Desk-Fan/15992435>>.*

* cited by examiner

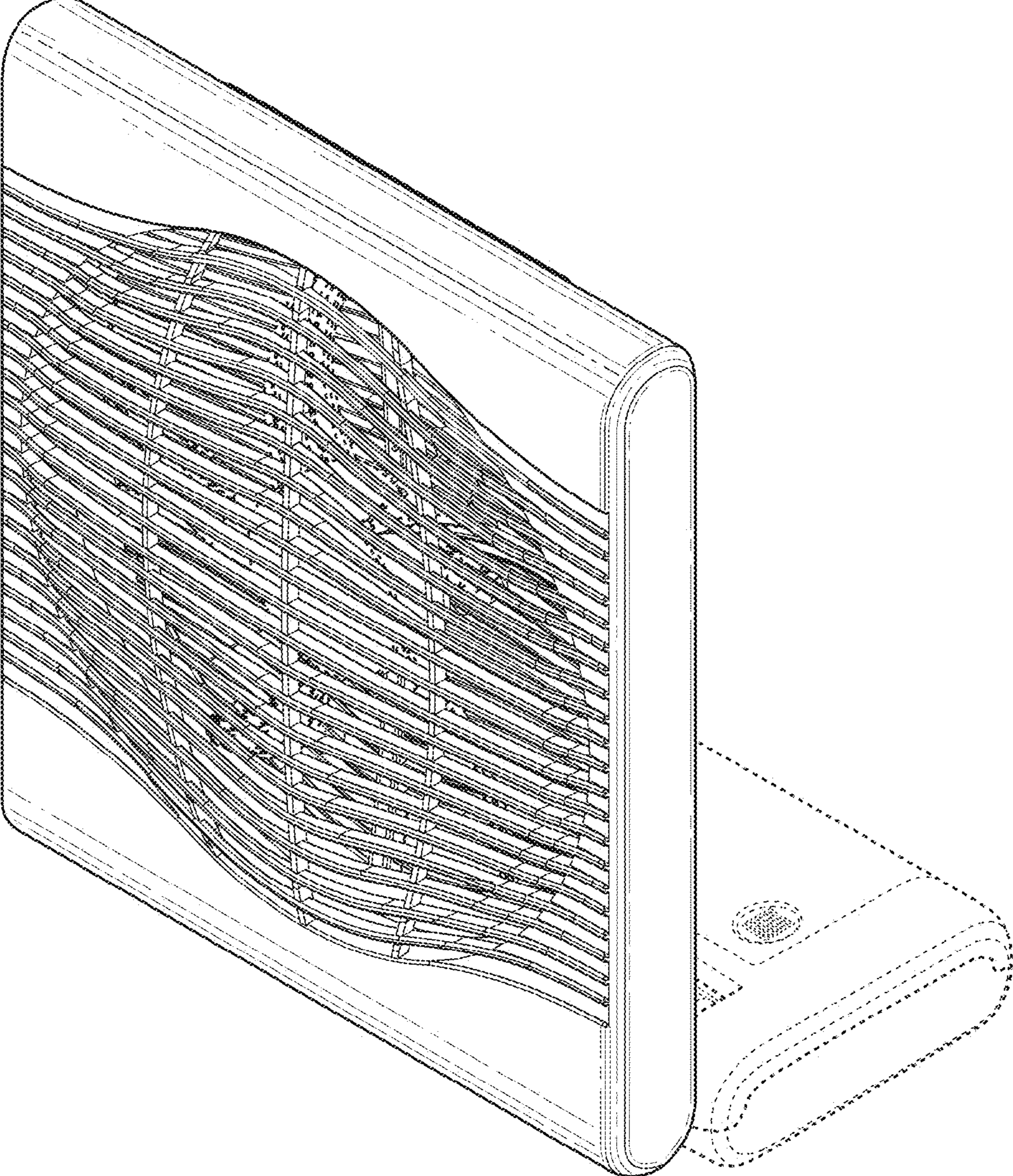


FIG. 1

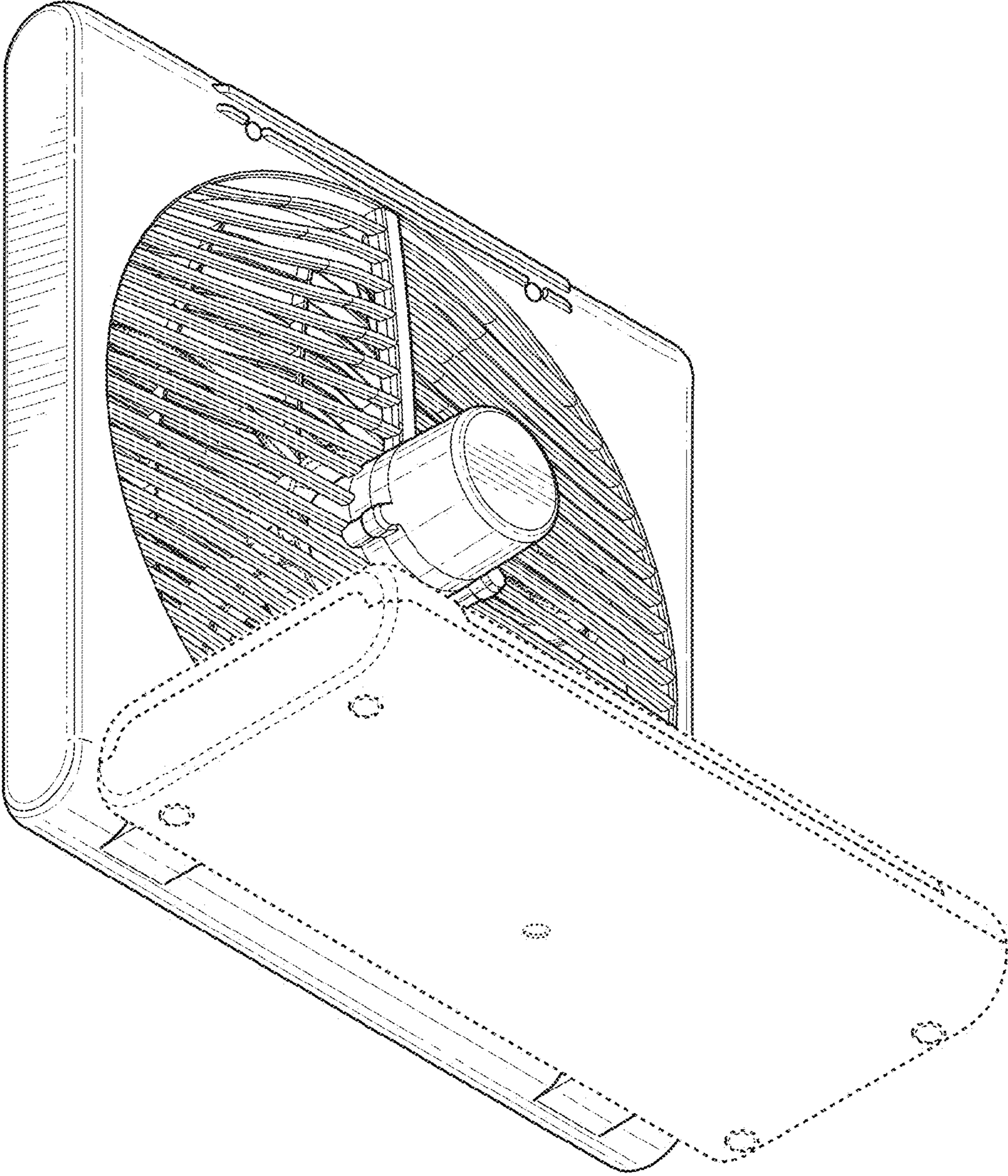


FIG. 2

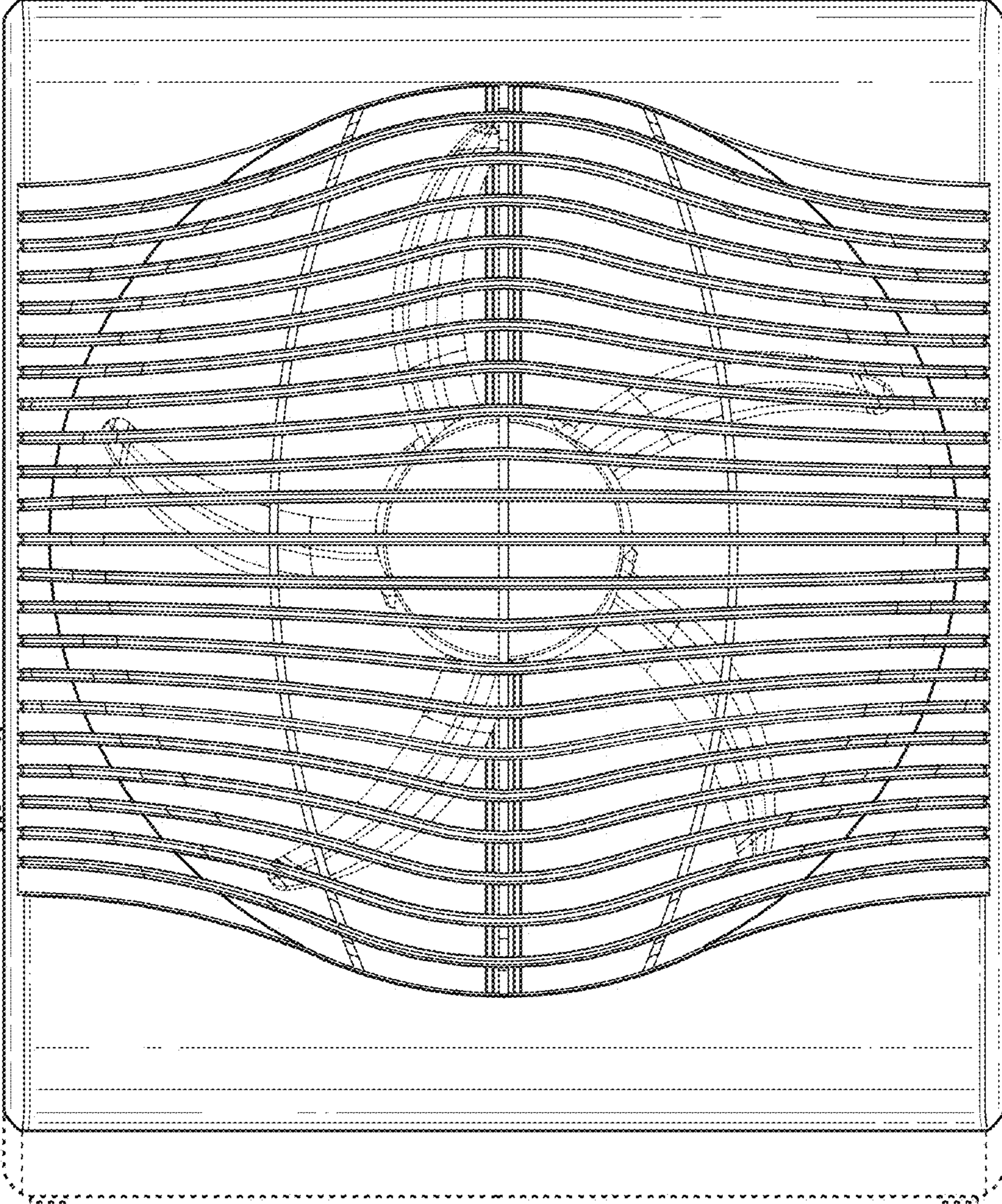


FIG. 3

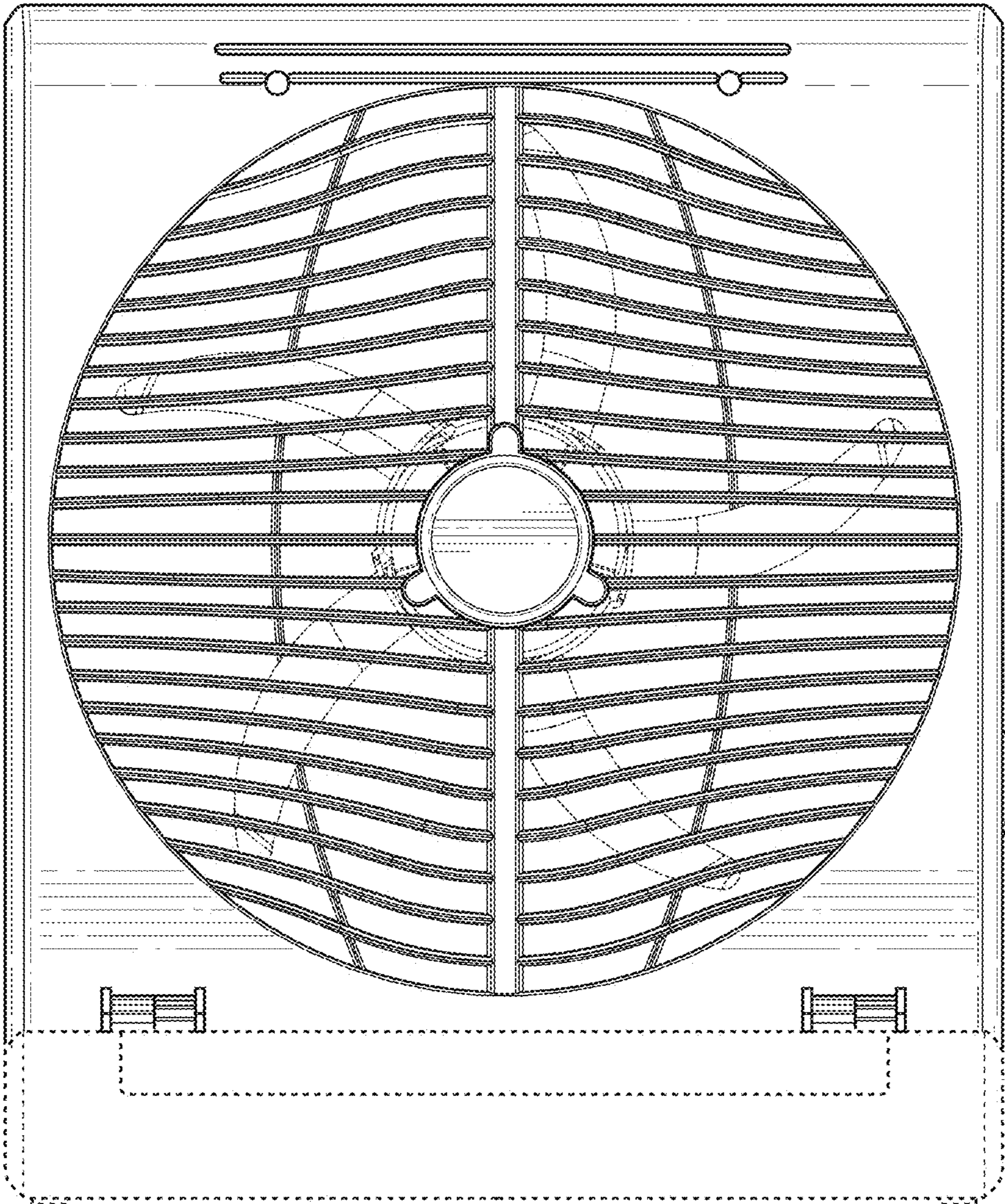


FIG. 4

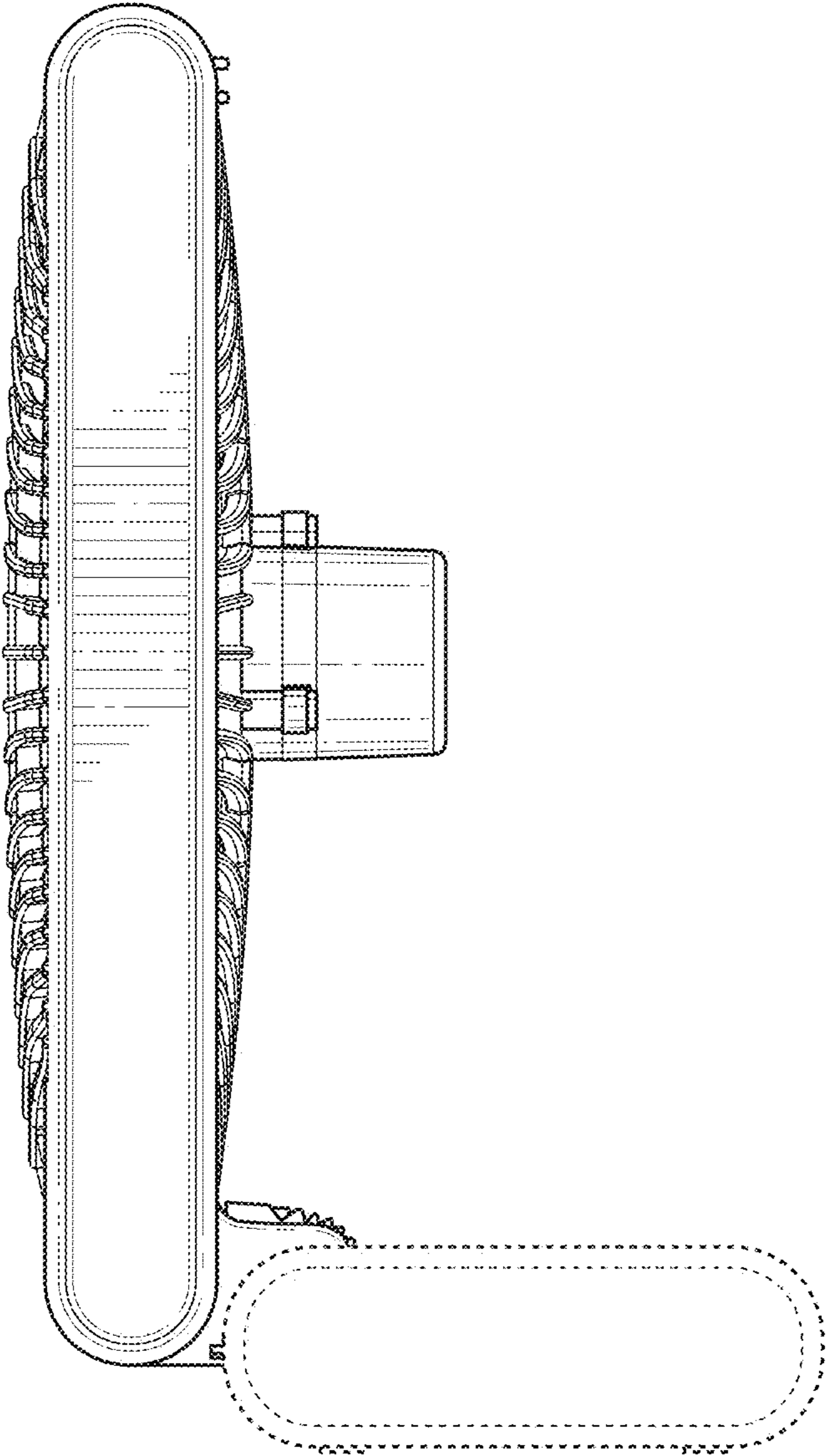


FIG. 5

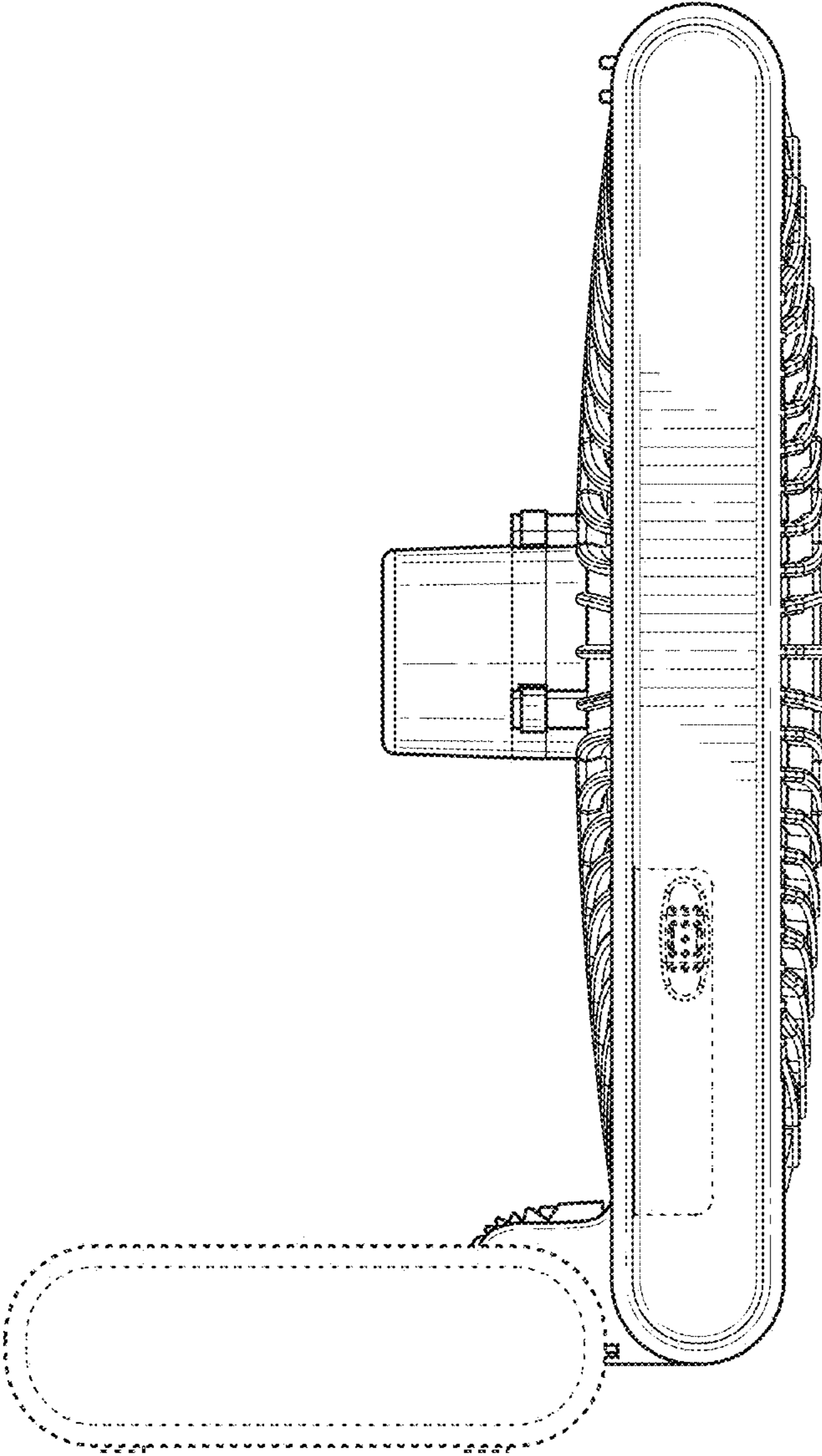


FIG. 6

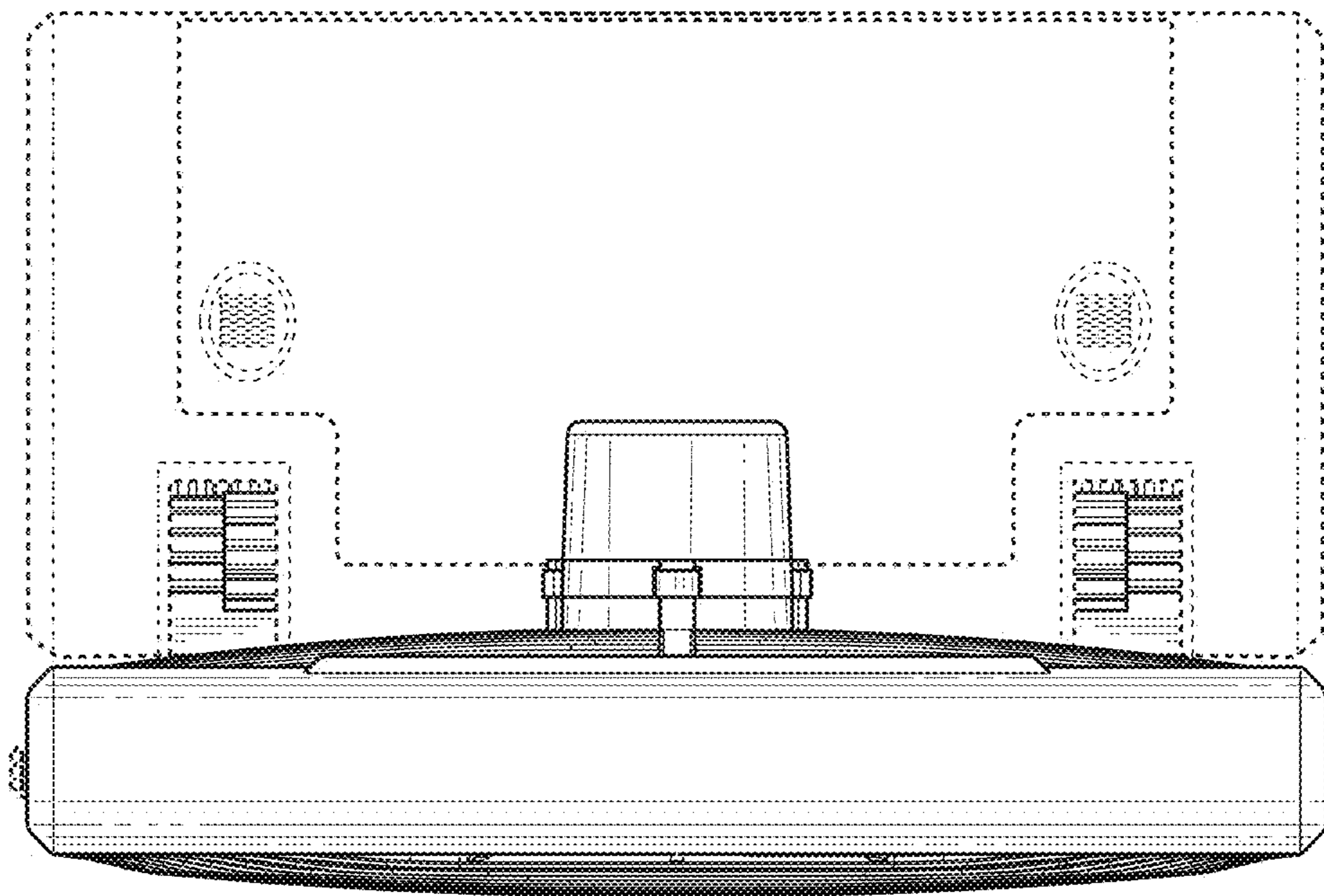


FIG. 7

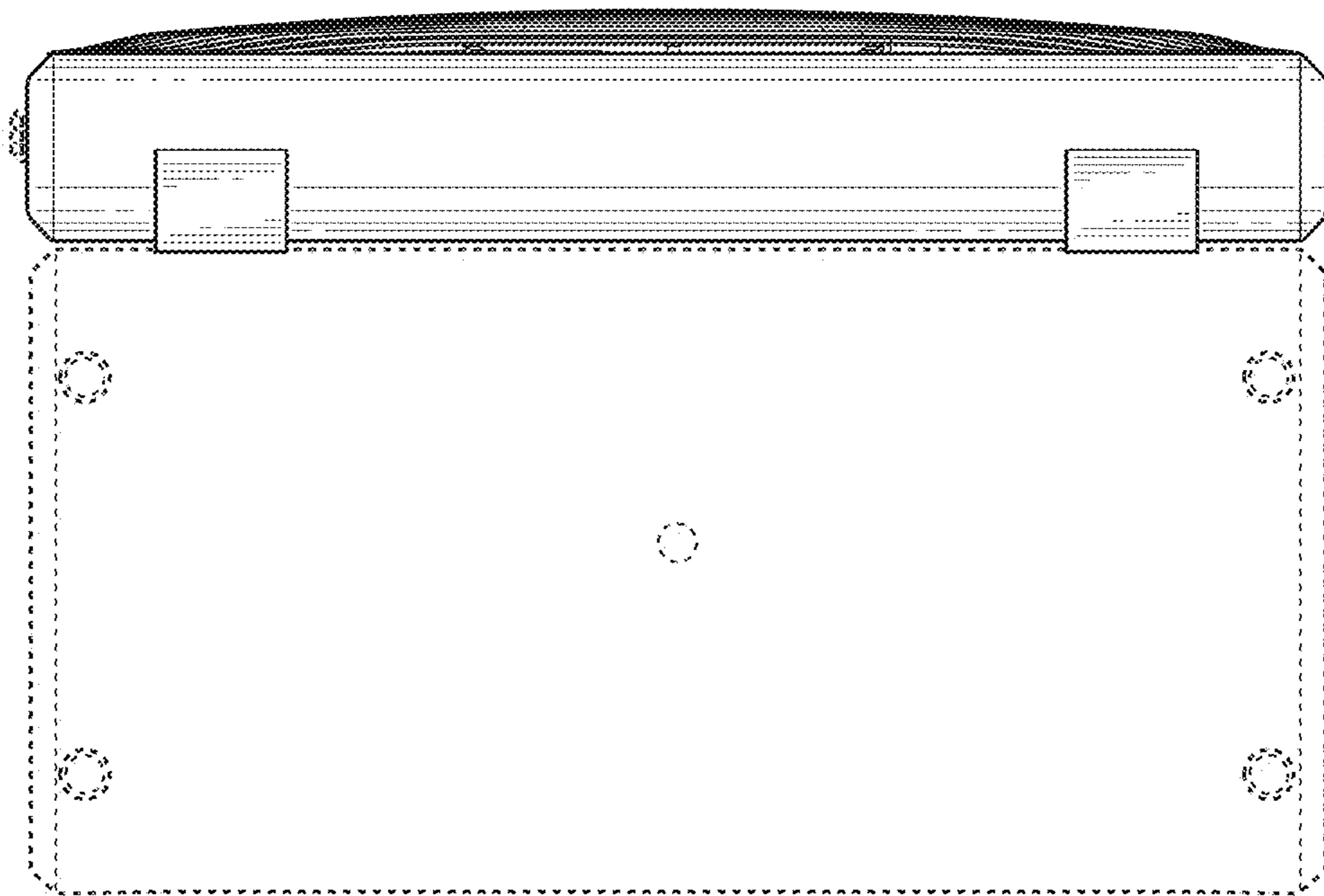


FIG. 8