

US00D750208S

(12) **United States Design Patent**
VanderBoegh

(10) **Patent No.:** **US D750,208 S**

(45) **Date of Patent:** **** Feb. 23, 2016**

- (54) **POOL FLOOR INLET EXTENDER**
- (71) Applicant: **Alan D VanderBoegh**, Altamonte Springs, FL (US)
- (72) Inventor: **Alan D VanderBoegh**, Altamonte Springs, FL (US)
- (**) Term: **14 Years**
- (21) Appl. No.: **29/474,483**
- (22) Filed: **Oct. 6, 2014**
- (51) **LOC (10) Cl.** **23-01**
- (52) **U.S. Cl.**
USPC **D23/268**
- (58) **Field of Classification Search**
USPC D23/259–263, 266–269, 233; 251/215, 251/216; 285/369, 372, 373, 417, 133.11, 285/133.3, 133.21, 133.4, 133.5, 133.6; 137/247, 247.41, 247.51
CPC F16L 11/00; F16L 37/252; F16L 41/007; E03C 1/26; E03C 1/262; E03C 1/28; E03C 5/04; A61B 5/00; A61M 25/09016
See application file for complete search history.

| | | | | | |
|--------------|------|---------|-----------|-------|------------|
| 3,800,339 | A * | 4/1974 | Bergin | | E03C 1/264 |
| | | | | | 4/286 |
| 6,108,828 | A * | 8/2000 | Cheng | | A47K 1/14 |
| | | | | | 4/286 |
| D441,848 | S * | 5/2001 | Huang | | D23/261 |
| D517,664 | S * | 3/2006 | Hill | | D23/261 |
| D725,751 | S * | 3/2015 | Luo | | D23/260 |
| D728,077 | S * | 4/2015 | Luo | | D23/260 |
| 2003/0182721 | A1 * | 10/2003 | Li | | E03C 1/262 |
| | | | | | 4/287 |
| 2007/0180602 | A1 * | 8/2007 | Lin | | E03C 1/262 |
| | | | | | 4/287 |
| 2008/0244825 | A1 * | 10/2008 | Delmonico | | A47K 1/14 |
| | | | | | 4/679 |
| 2014/0053327 | A1 * | 2/2014 | Lee | | E03C 1/262 |
| | | | | | 4/287 |
| 2014/0053328 | A1 * | 2/2014 | Chen | | E03C 1/262 |
| | | | | | 4/287 |
| 2014/0075662 | A1 * | 3/2014 | Gayoso | | E03C 1/262 |
| | | | | | 4/287 |

* cited by examiner

Primary Examiner — Sandra Snapp

(57) **CLAIM**

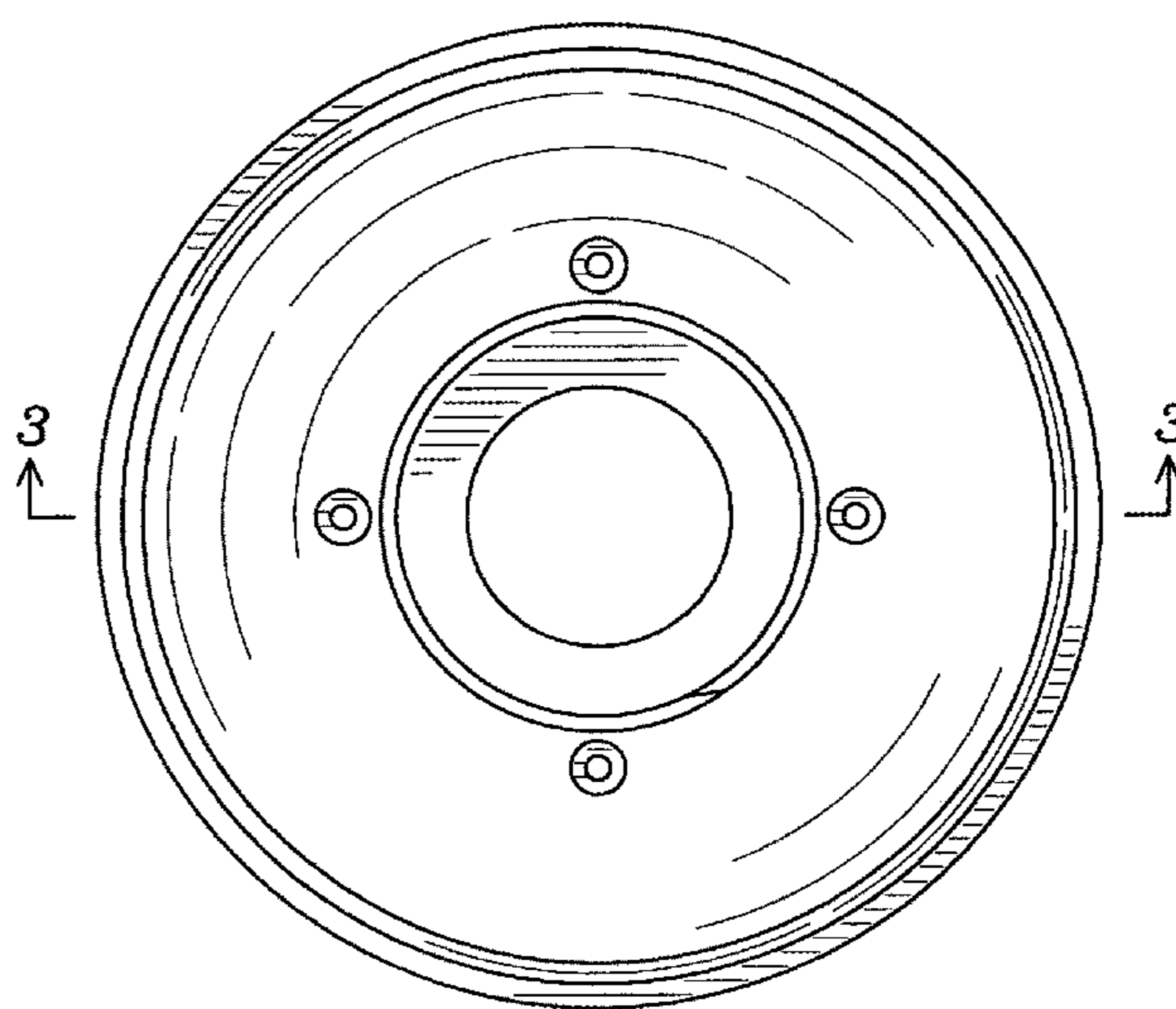
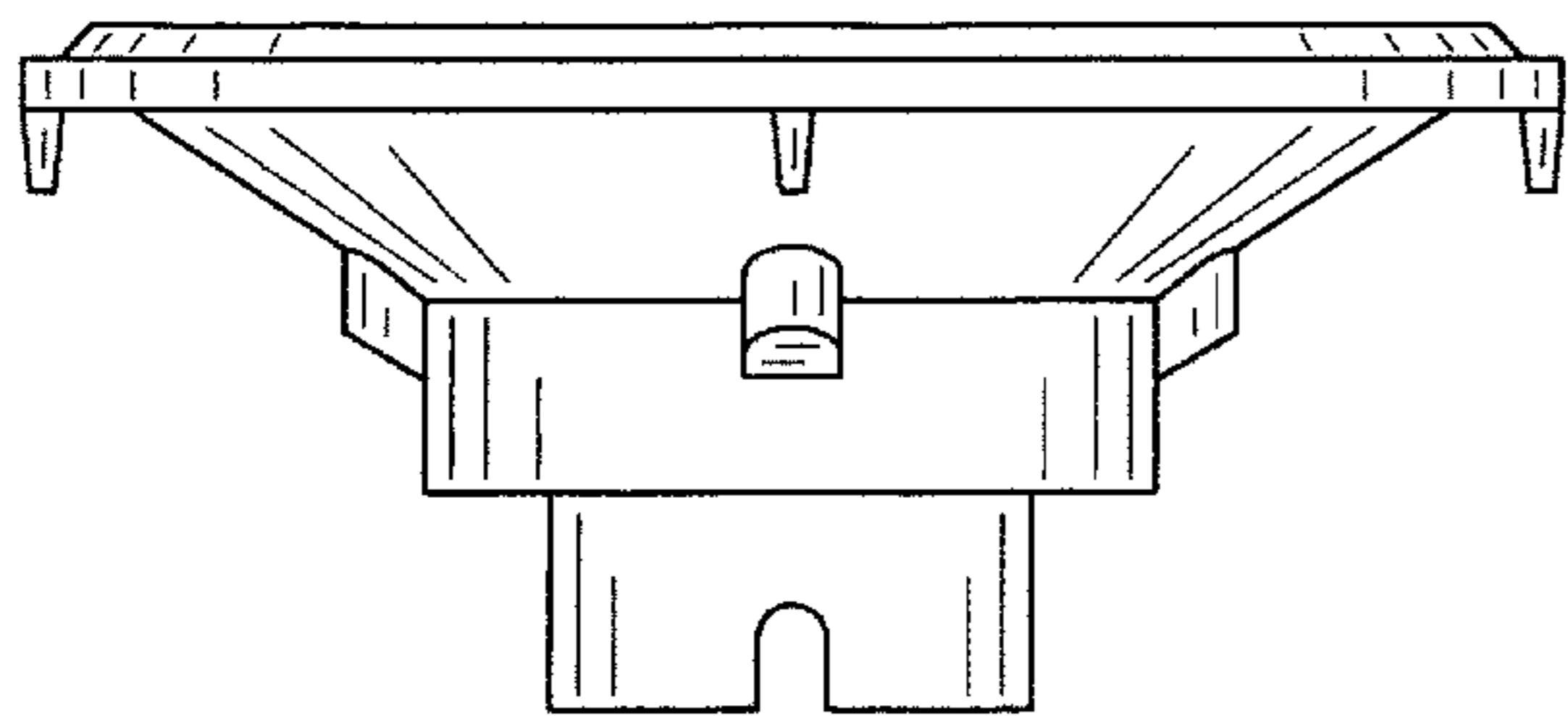
The ornamental design for a pool floor inlet extender, as shown and described.

DESCRIPTION

FIG. 1 is a left side elevational of my new pool floor inlet extender;
 FIG. 2 is a right side elevational view thereof;
 FIG. 3 is a cross-sectional view taken along line 3-3 of FIG. 4;
 FIG. 4 is a top plan view thereof; and,
 FIG. 5 is a bottom plan view thereof.

1 Claim, 2 Drawing Sheets

- (56) **References Cited**
U.S. PATENT DOCUMENTS
- 1,070,424 A * 8/1913 Danver E03C 1/22
285/42
- 2,763,012 A * 9/1956 Duncan E03C 1/262
251/107
- 3,509,586 A * 5/1970 Politz E03C 1/26
4/286



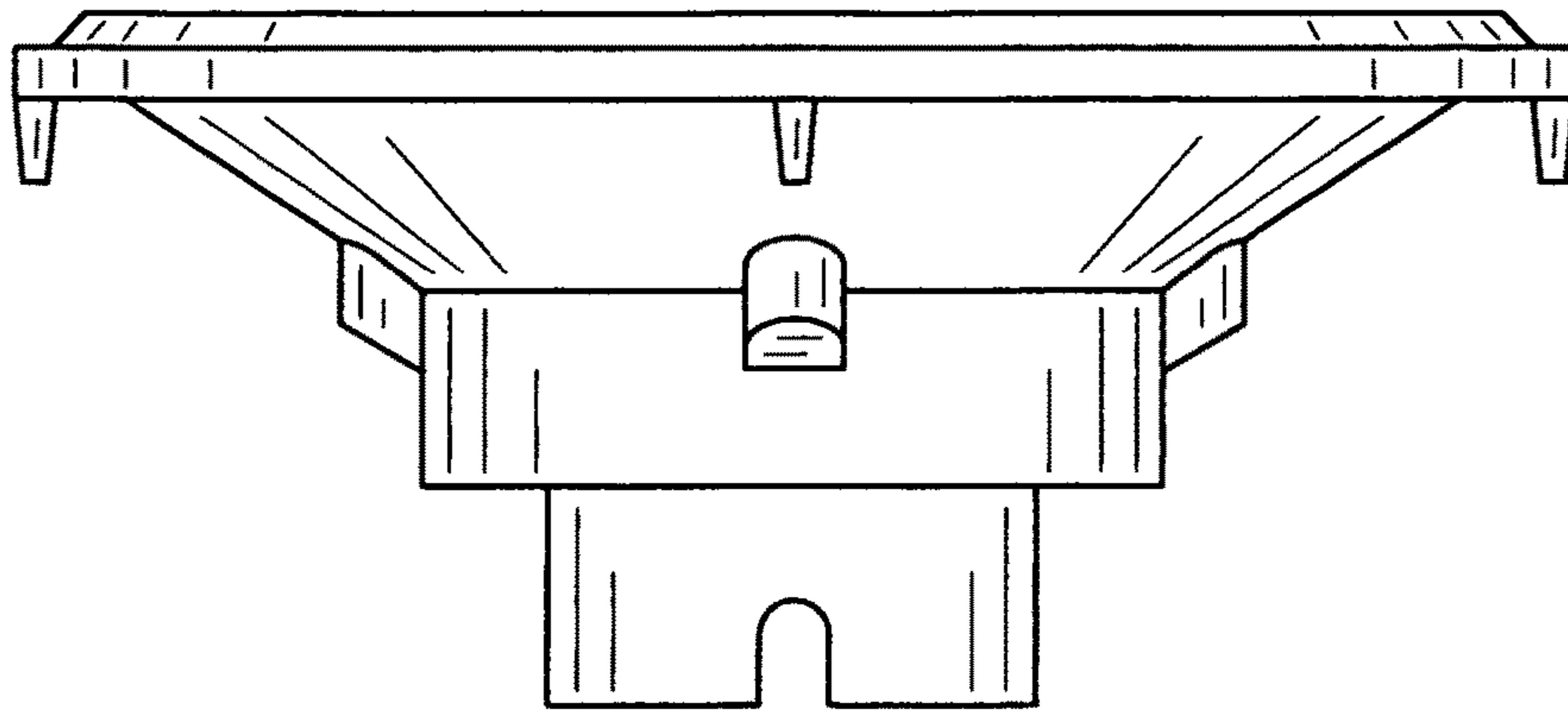


FIG. 1

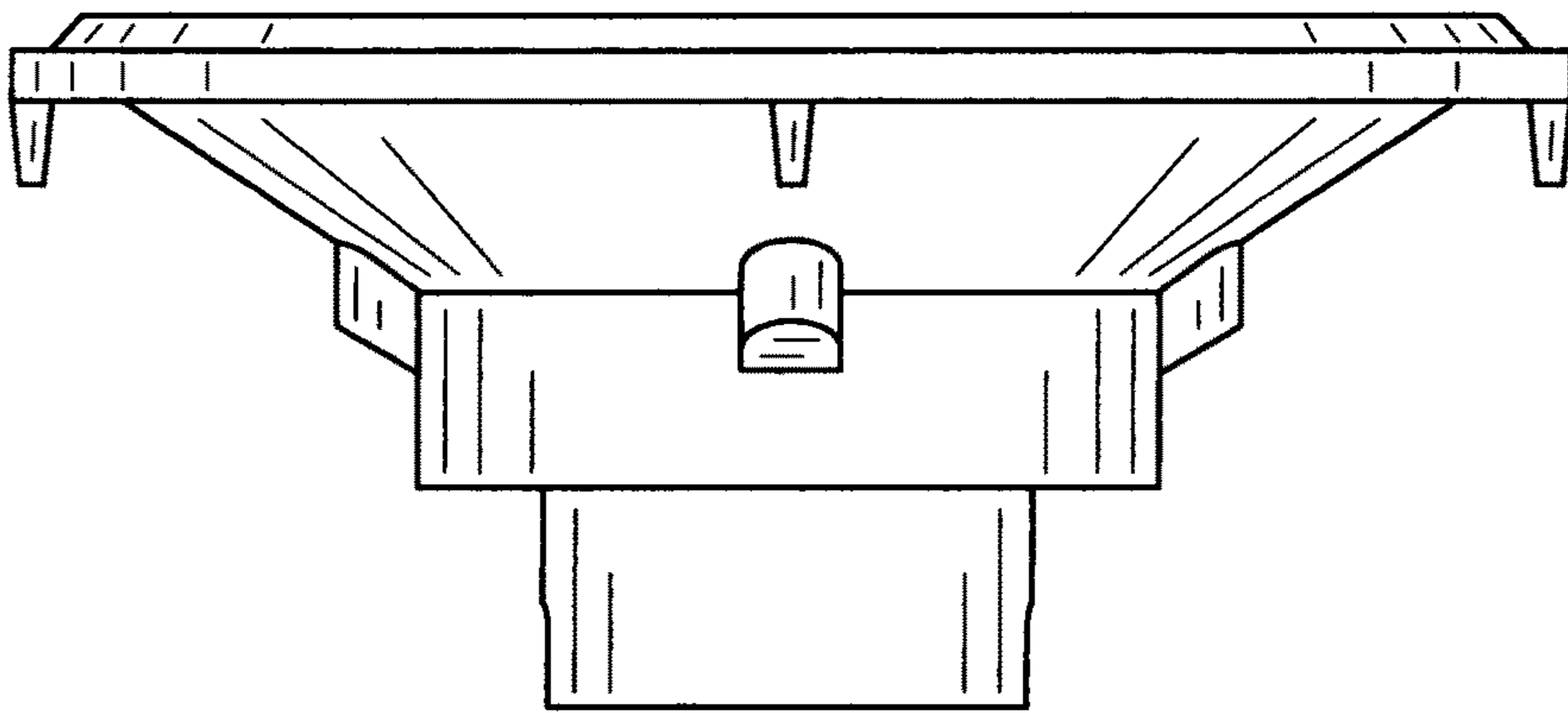


FIG. 2

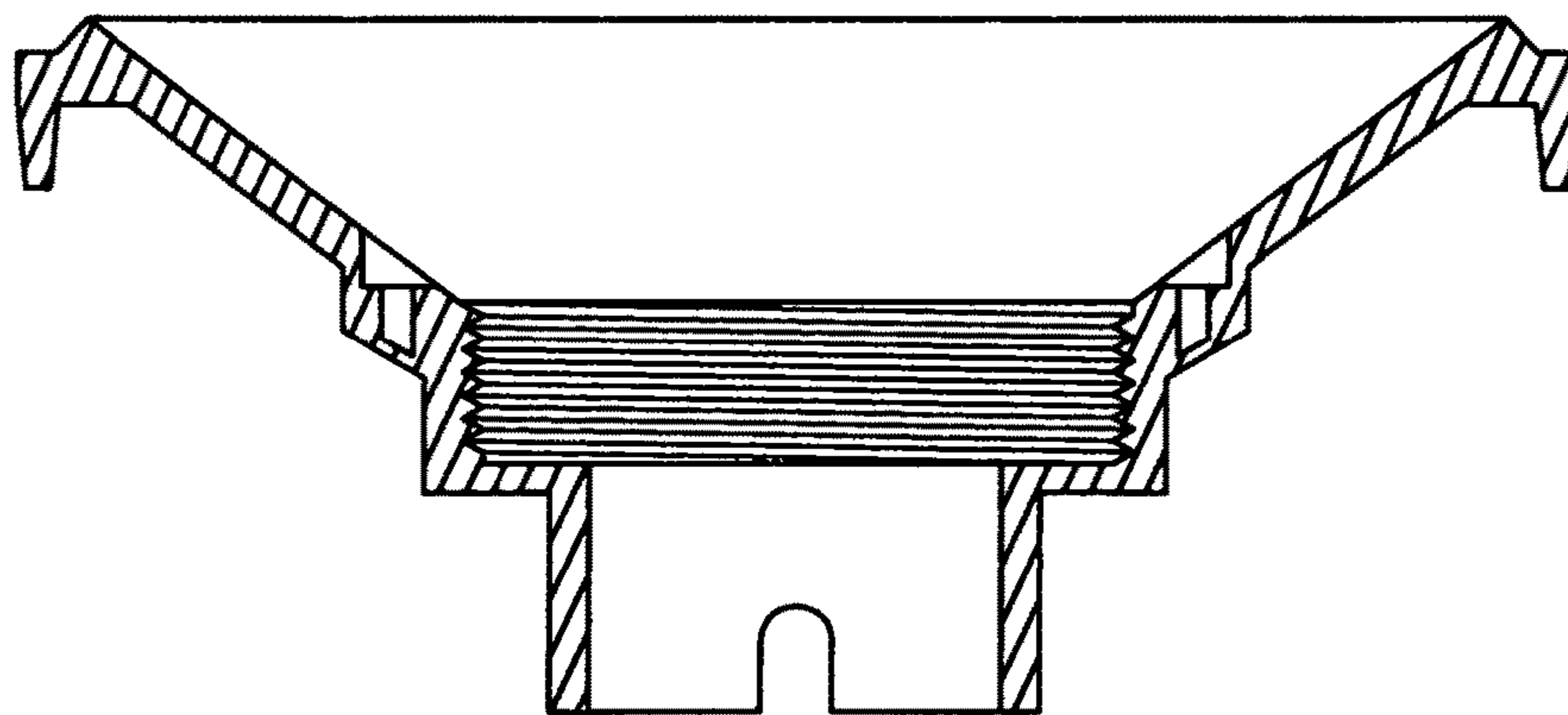


FIG. 3

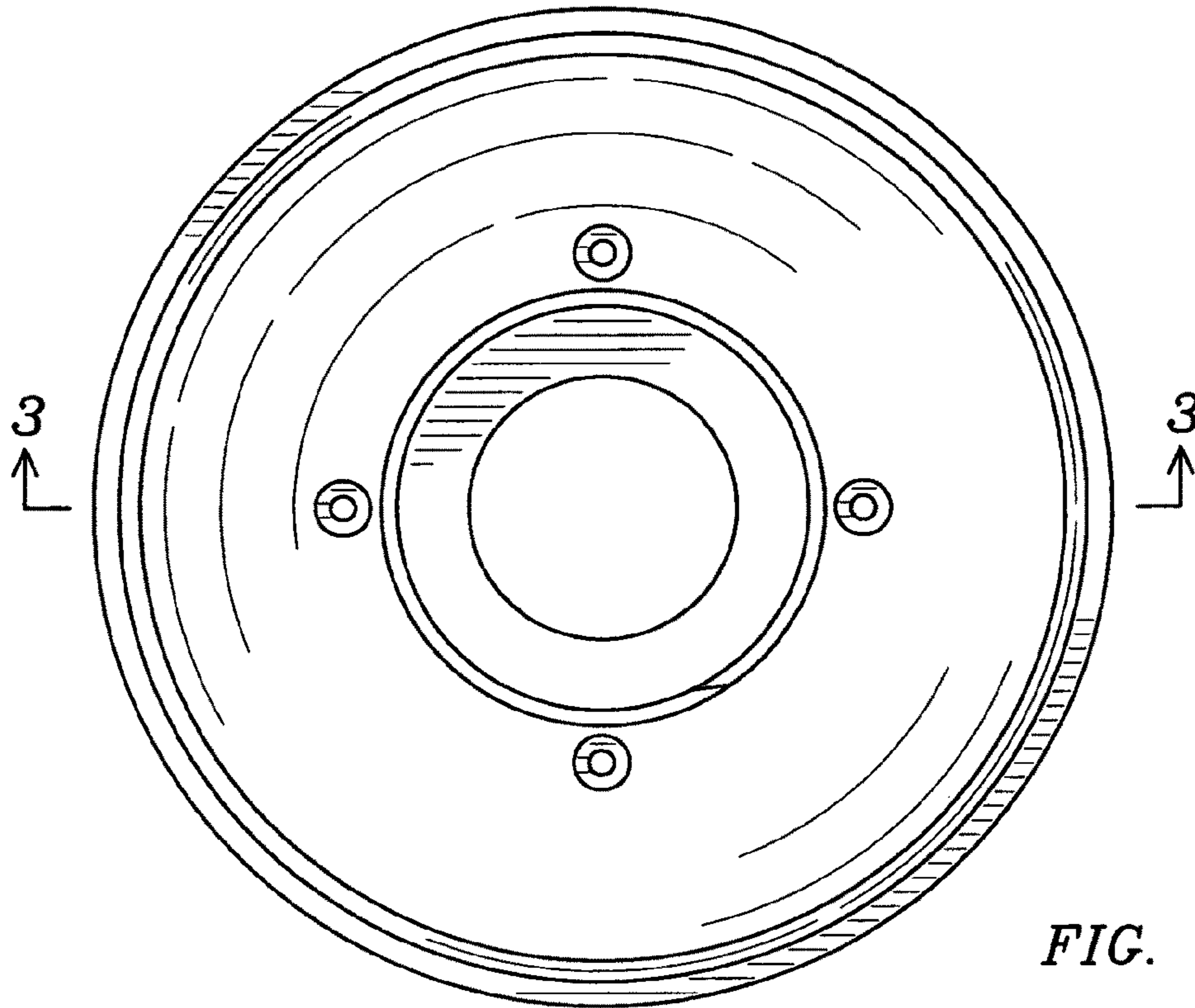


FIG. 4

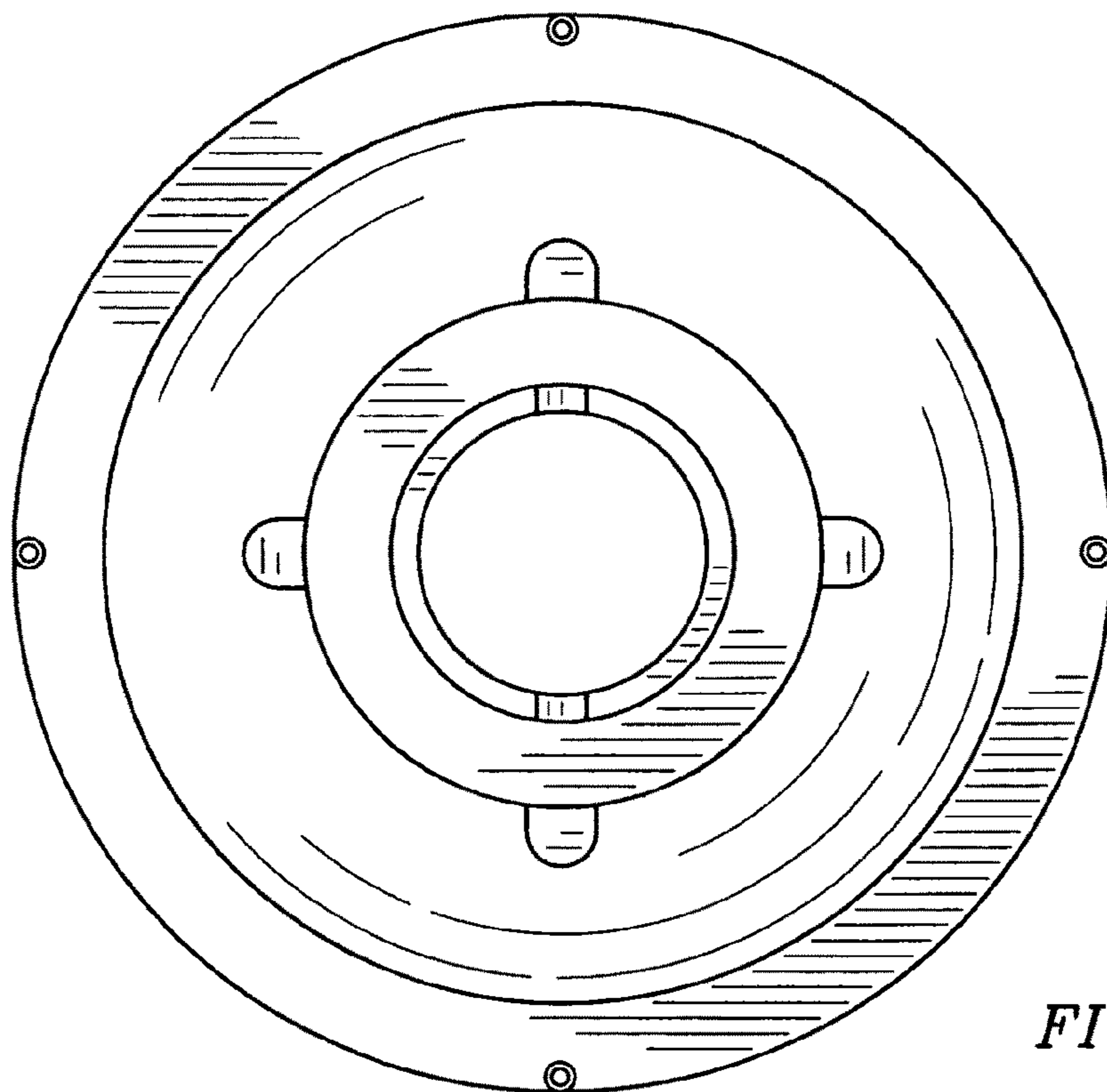


FIG. 5