



US00D750205S

(12) **United States Design Patent**
Rexach

(10) **Patent No.:** **US D750,205 S**

(45) **Date of Patent:** **** Feb. 23, 2016**

(54) **FAUCET**

(71) Applicant: **Kohler Co.**, Kohler, WI (US)

(72) Inventor: **Rafael A. Rexach**, Sheboygan, WI (US)

(73) Assignee: **KOHLER CO.**, Kohler, WI (US)

(**) Term: **14 Years**

(21) Appl. No.: **29/509,189**

(22) Filed: **Nov. 14, 2014**

(51) **LOC (10) Cl.** **23-01**

(52) **U.S. Cl.**
USPC **D23/255**

(58) **Field of Classification Search**
USPC D23/238–243, 249, 253, 255, 257, 250,
D23/252

CPC E03C 1/04; E03C 1/0401; E03C 1/0402;
E03C 1/0404

See application file for complete search history.

(56) **References Cited**

U.S. PATENT DOCUMENTS

1,838,290	A	12/1931	Steckel	
D318,906	S	8/1991	Spangler	
D348,509	S	7/1994	Bollenbacher	
D349,208	S	8/1994	Bollenbacher	
D349,328	S	8/1994	Bollenbacher	
D349,331	S	8/1994	Bollenbacher	
D349,948	S	8/1994	Bollenbacher et al.	
D350,184	S	8/1994	Kohler, Jr.	
D350,390	S	9/1994	Bollenbacher	
D352,095	S	11/1994	Bollenbacher	
D354,548	S	1/1995	Bollenbacher et al.	
D471,964	S	3/2003	Bates et al.	
D478,153	S *	8/2003	Friedrich	D23/242
D482,757	S	11/2003	Blomstrom	
D482,758	S	11/2003	Bates et al.	
D483,093	S	12/2003	Bates et al.	
D487,916	S *	3/2004	Lord	D23/238
D500,549	S	1/2005	Blomstrom	
D508,108	S	8/2005	Blomstrom	

D516,177	S *	2/2006	Ouyoung	D23/241
D516,681	S *	3/2006	Gilbert	D23/249
D530,795	S	10/2006	Sutopo		
D531,273	S	10/2006	Tsai		
D534,621	S	1/2007	Chu et al.		

(Continued)

OTHER PUBLICATIONS

U.S. Appl. No. 29/453,546, filed Apr. 30, 2013, Kohler Co.

(Continued)

Primary Examiner — Robert Delehanty

(74) *Attorney, Agent, or Firm* — Foley & Lardner LLP

(57) **CLAIM**

I claim the ornamental design for a faucet, as shown and described.

DESCRIPTION

This application is related to U.S. patent application Ser. No. 29/509,190, filed Nov. 14, 2014 and to U.S. patent application Ser. No. 29/509,192, filed Nov. 14, 2014, both of which are incorporated herein by reference in their entireties.

FIG. 1 is a top, front, right, perspective view of an embodiment of the claimed design;

FIG. 2 is a front elevation view thereof;

FIG. 3 is a rear elevation view thereof;

FIG. 4 is a right elevation view thereof;

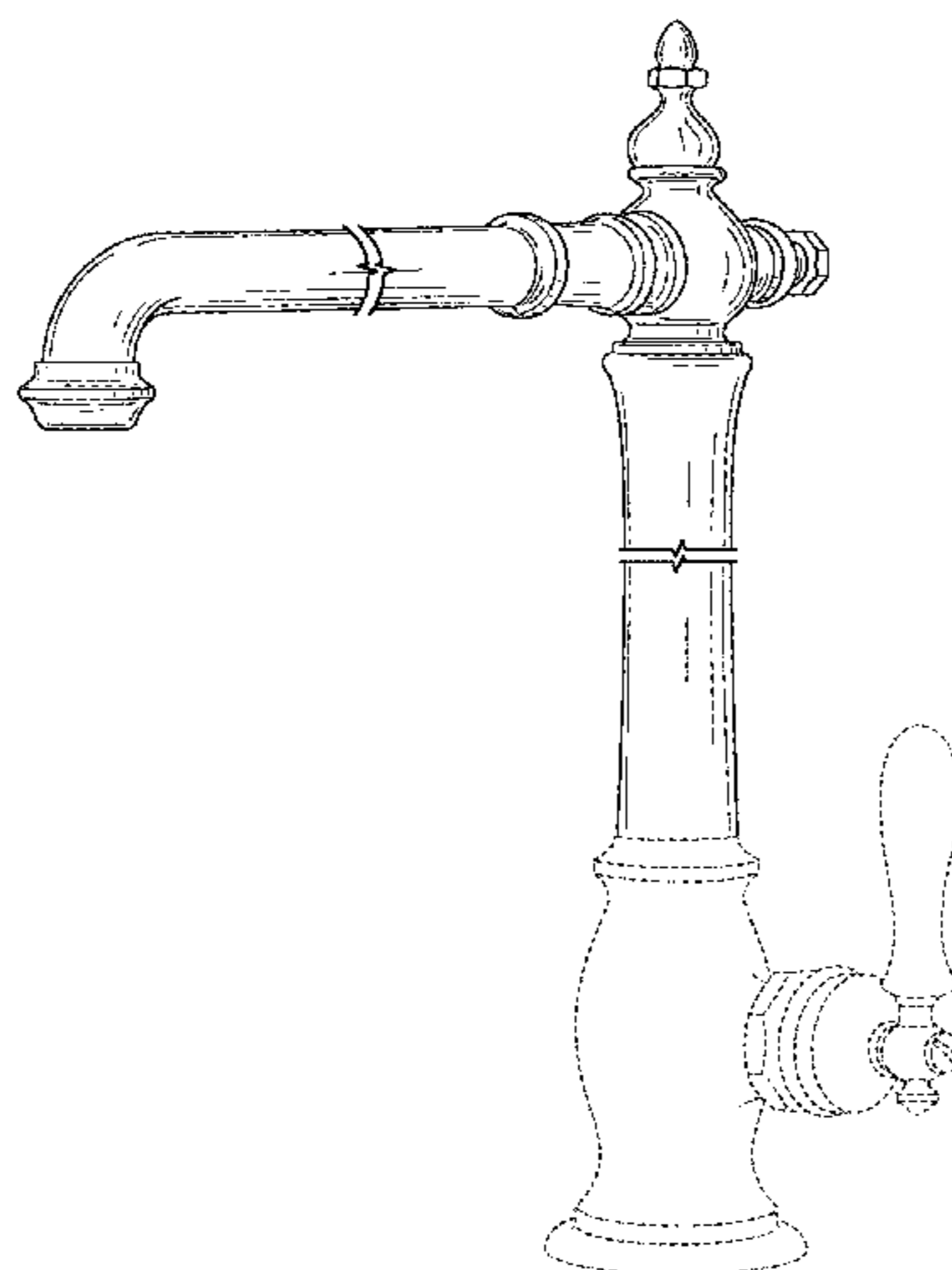
FIG. 5 is a left elevation view thereof;

FIG. 6 is a top plan view thereof; and,

FIG. 7 is a bottom plan view thereof.

The ornamental design which is claimed is shown in solid lines in the drawings. The broken lines in the drawings form no part of the claimed design. Broken lines formed by equal length dashes show unclaimed subject matter. Broken lines formed by unequal length dashes (i.e., dash-dot) define bounds of the claimed design. Broken away symbols having a jagged element show that no particular length of the portion is claimed.

1 Claim, 7 Drawing Sheets



(56)

References Cited

U.S. PATENT DOCUMENTS

D534,987 S 1/2007 Eilmus
D562,947 S 2/2008 Zhang
D579,080 S 10/2008 Zhang
D582,011 S 12/2008 Yuan
D591,402 S * 4/2009 Eckhaus D23/238
7,533,683 B2 * 5/2009 Ortega et al. 137/15.18
D636,850 S 4/2011 Shieh
D641,454 S 7/2011 McKeone

D645,944 S * 9/2011 Gilbert D23/255
D713,508 S 9/2014 Downey et al.
D713,510 S 9/2014 Downey et al.
D717,928 S 11/2014 Rexach et al.
D718,420 S 11/2014 Rexach et al.
D718,425 S * 11/2014 Rexach et al. D23/255

OTHER PUBLICATIONS

U.S. Appl. No. 13/794,544, filed Mar. 11, 2013, Kohler Co.

* cited by examiner

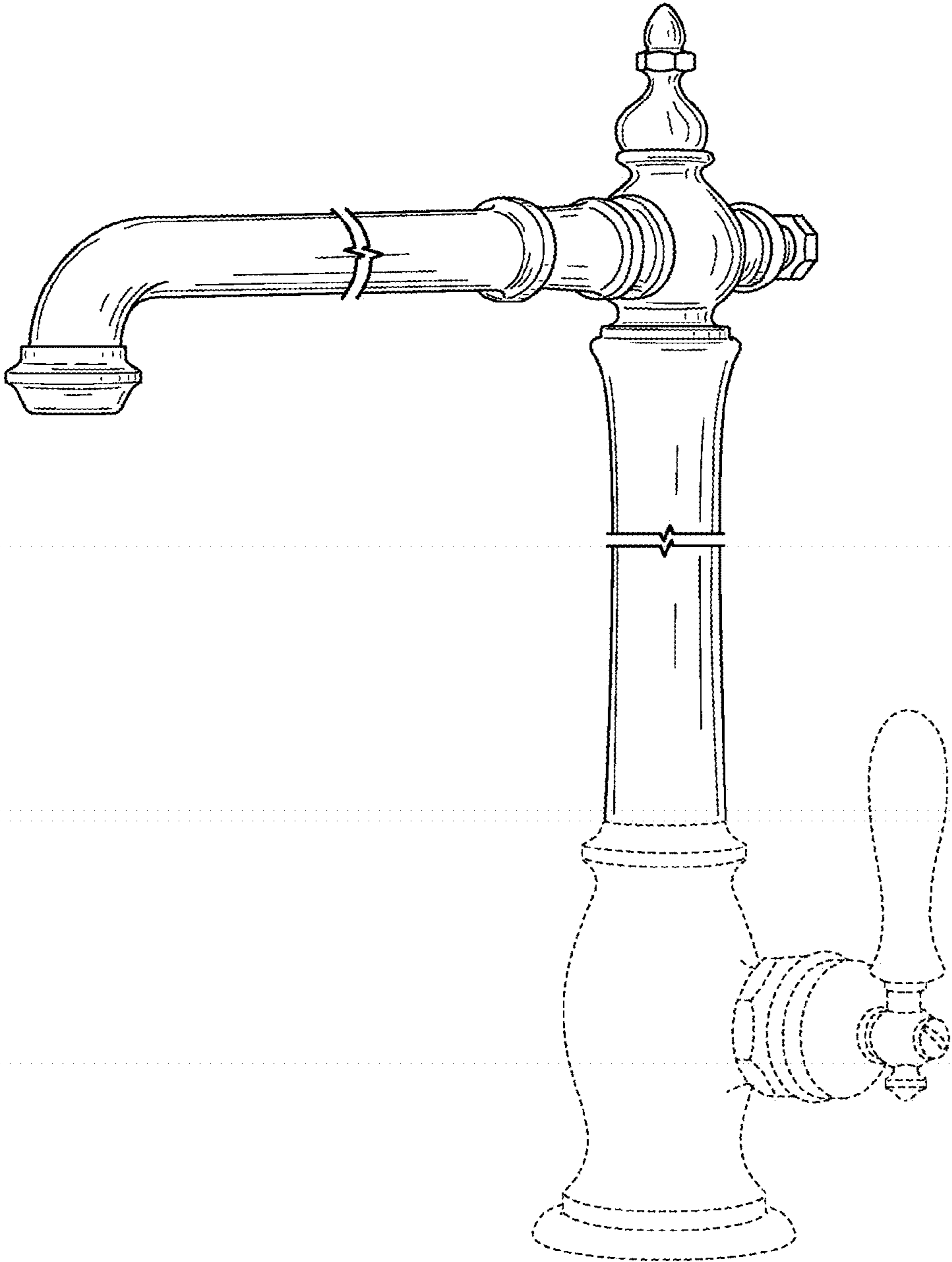


FIG. 1

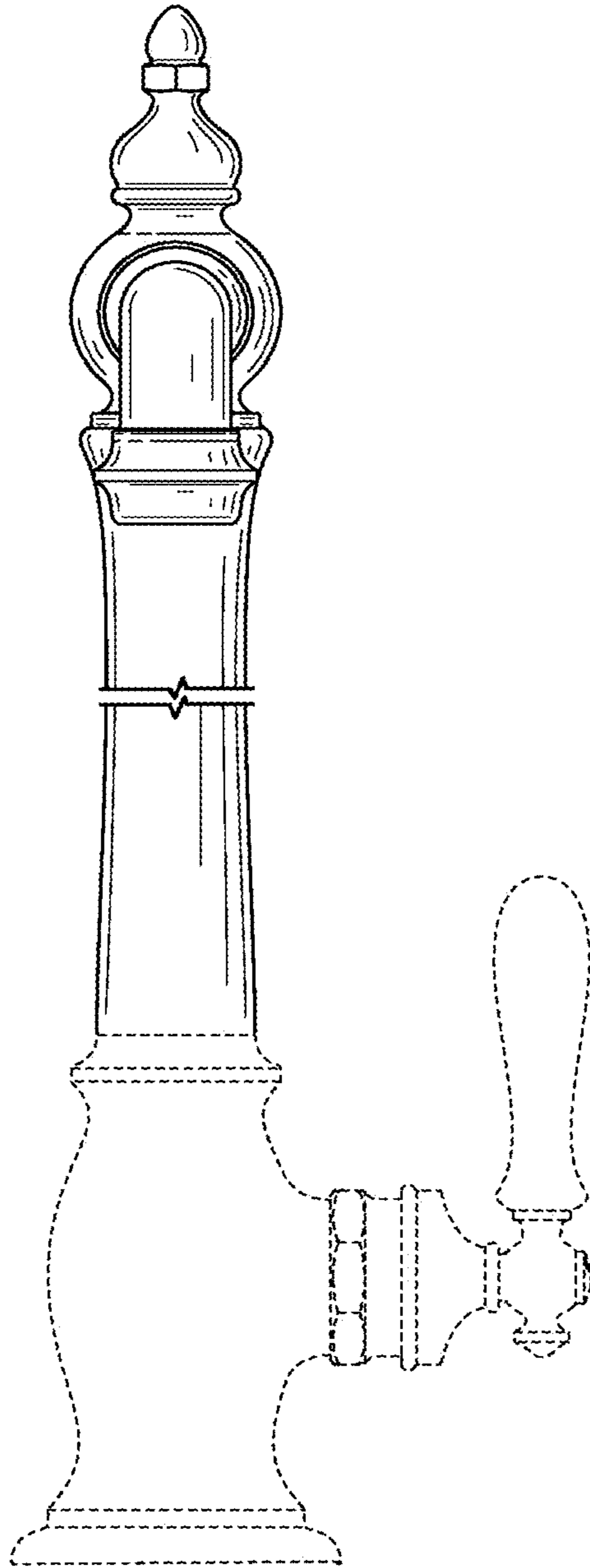


FIG. 2

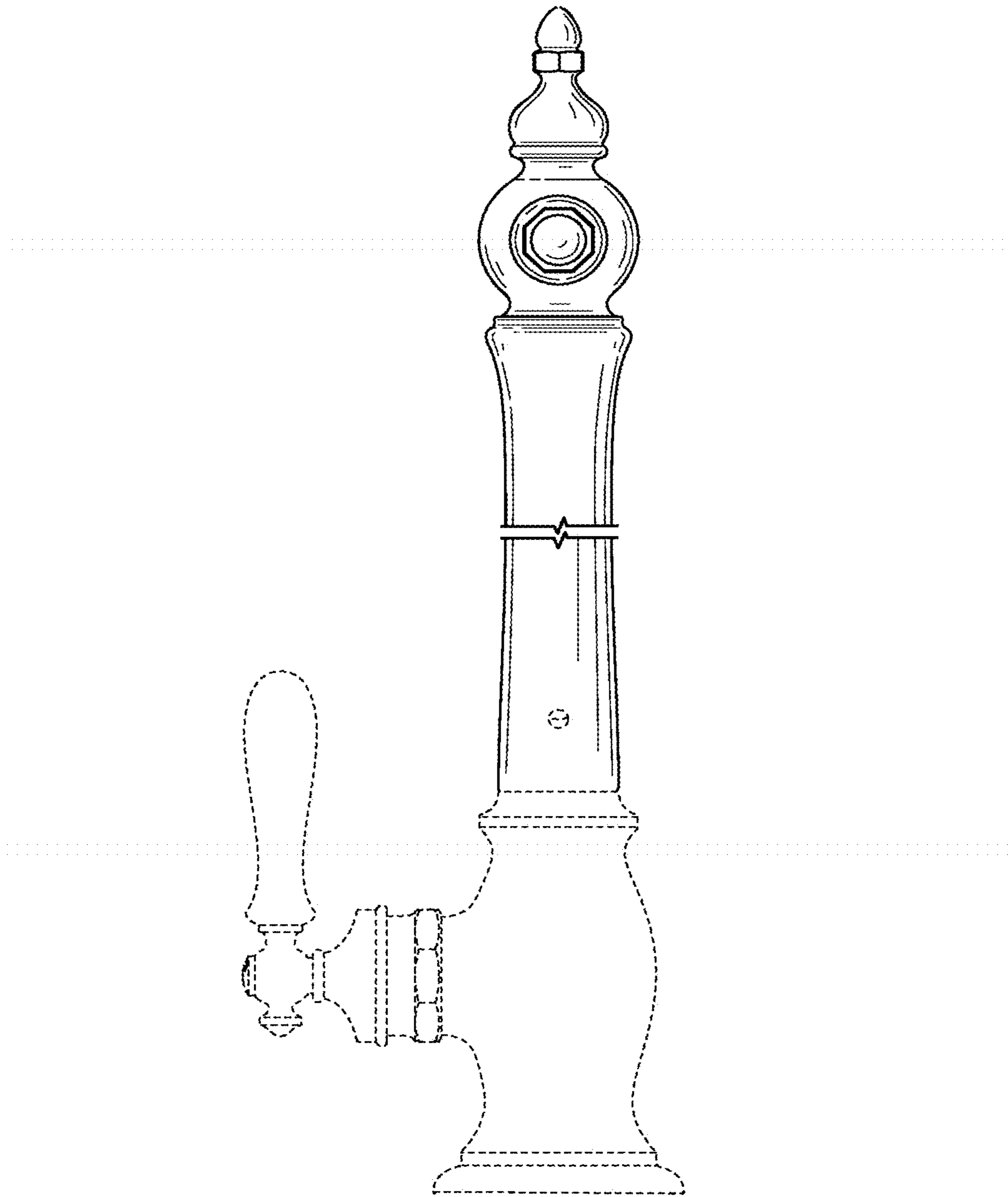


FIG. 3

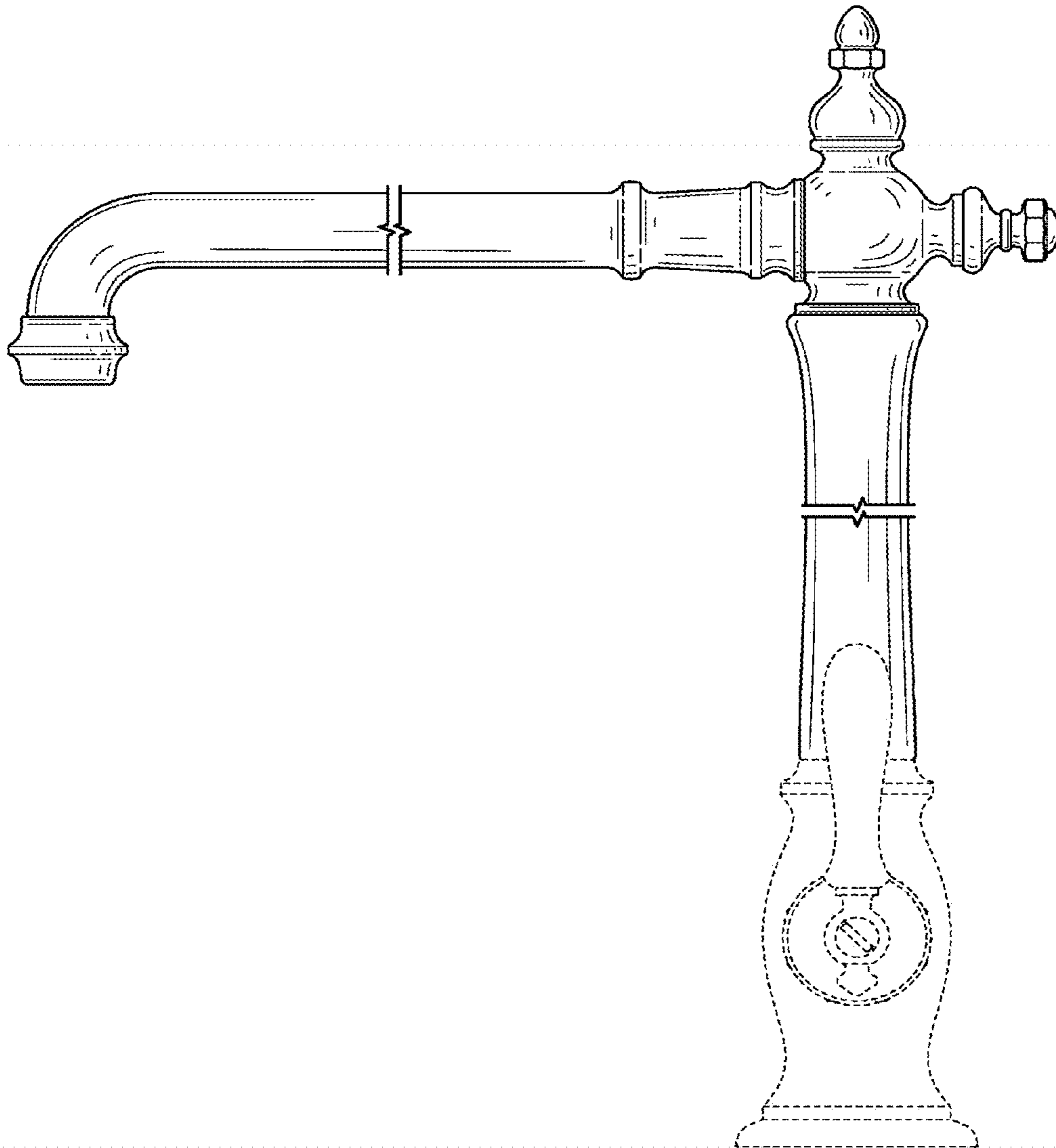


FIG. 4

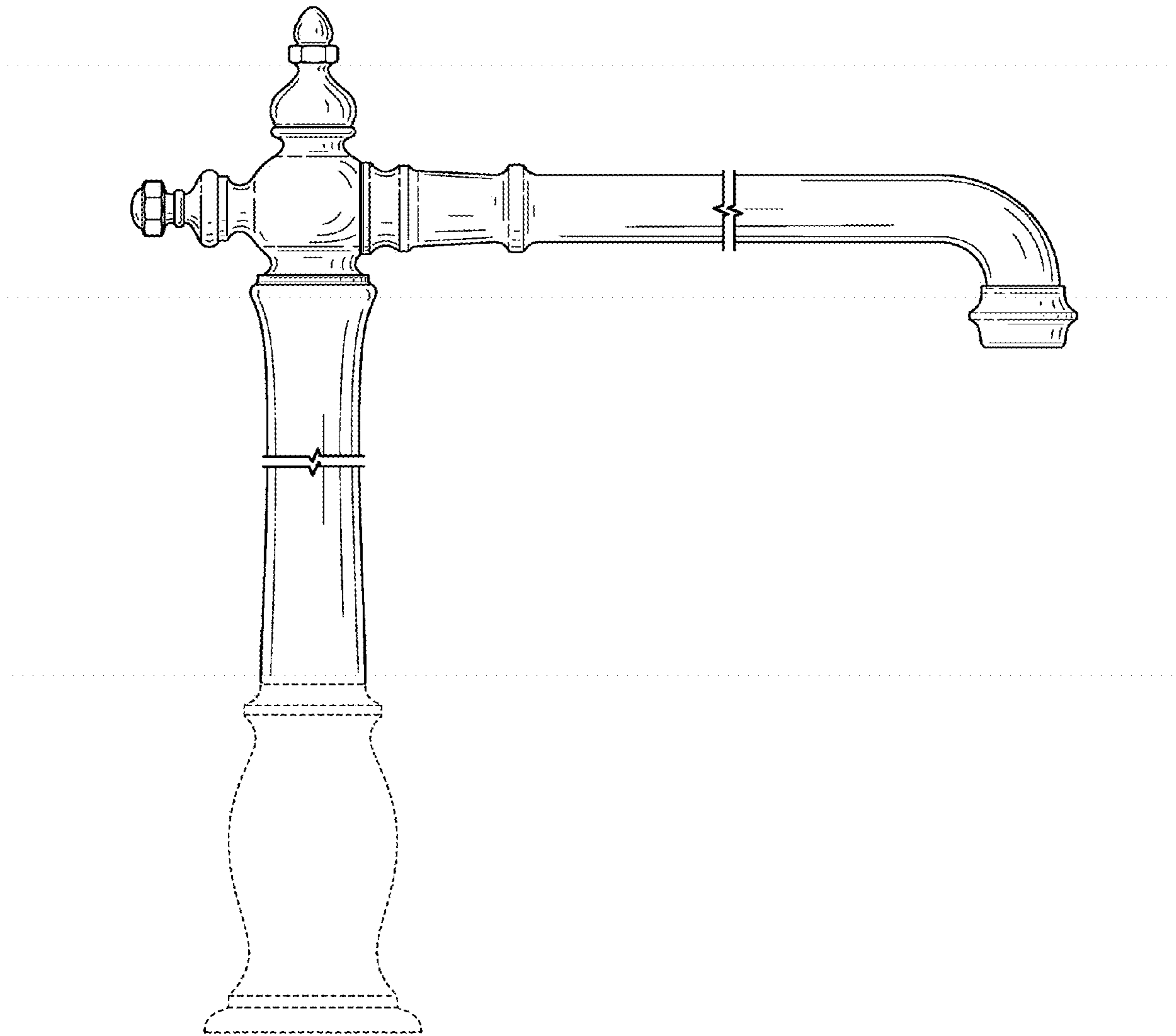


FIG. 5

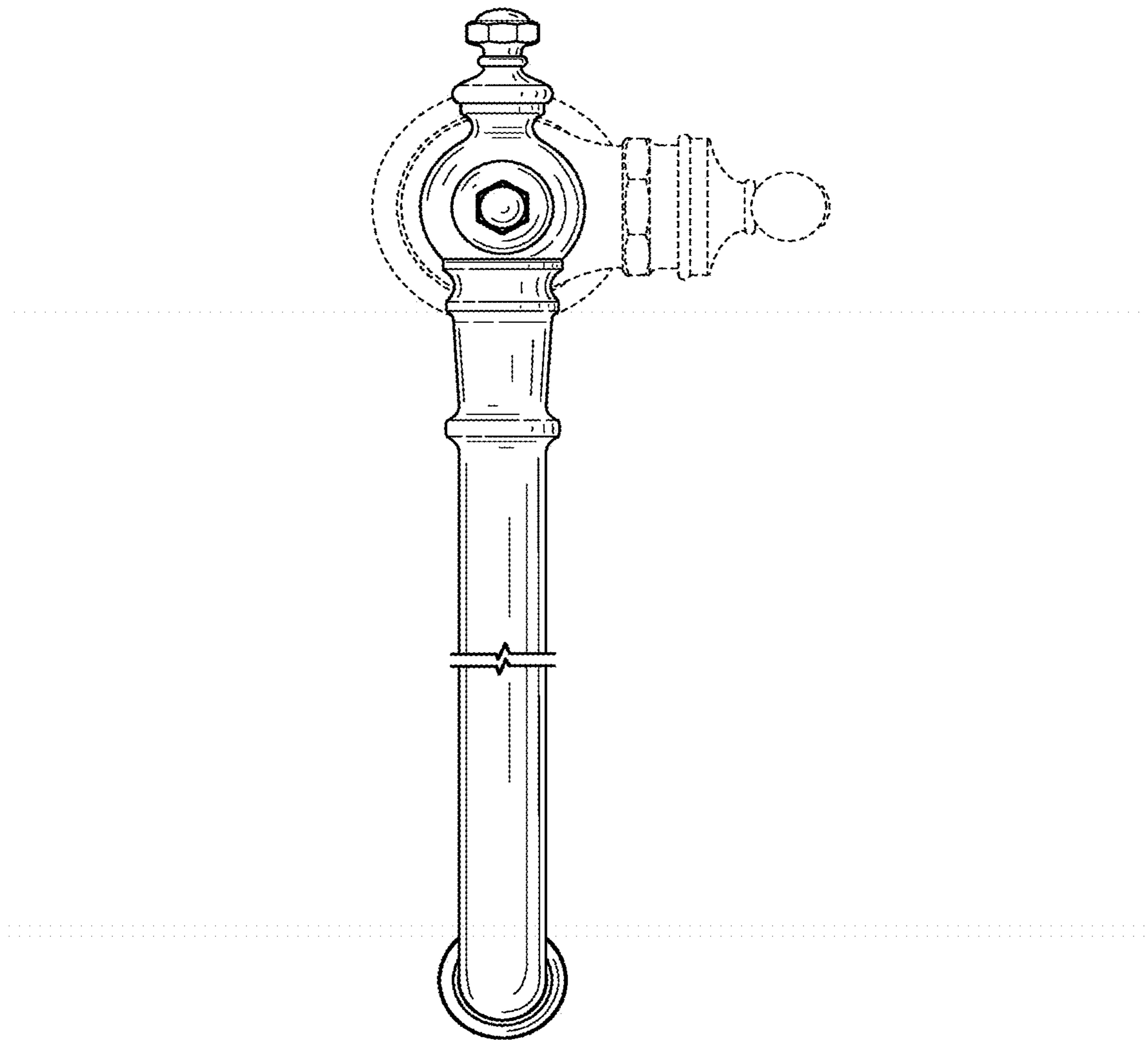


FIG. 6

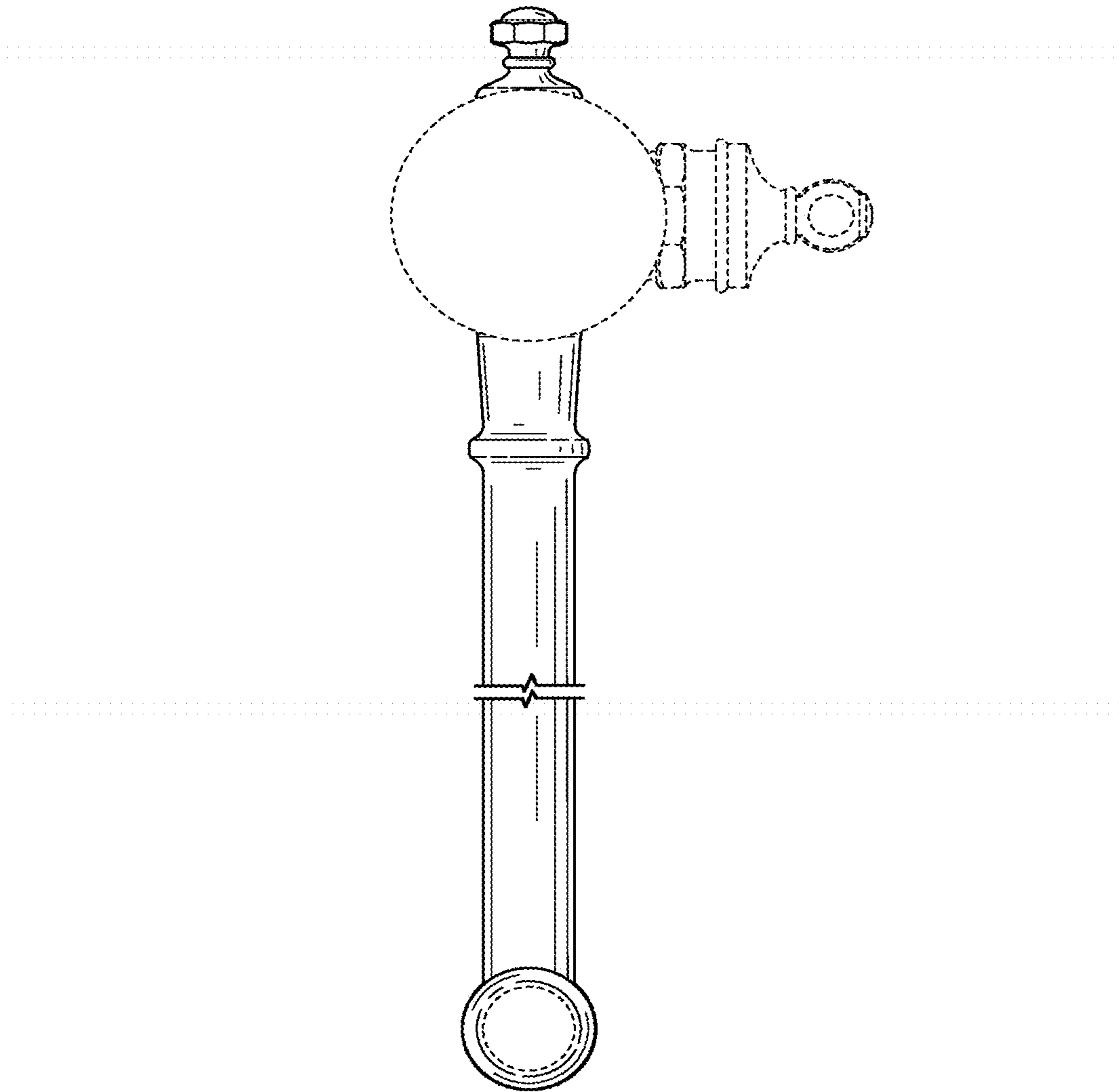


FIG. 7