

US00D750203S

(12) **United States Design Patent**
Flowers et al.

(10) **Patent No.:** **US D750,203 S**

(45) **Date of Patent:** **** Feb. 23, 2016**

(54) **BASIN MIXER**

(71) Applicant: **Grohe AG**, Hemer (DE)

(72) Inventors: **Paul Flowers**, Duesseldorf (DE); **Jochen Allard**, Menden (DE)

(73) Assignee: **Grohe AG**, Hemer (DE)

(**) Term: **14 Years**

(21) Appl. No.: **29/510,793**

(22) Filed: **Dec. 3, 2014**

(30) **Foreign Application Priority Data**

Jun. 3, 2014 (EM) 002475368-0009

(51) **LOC (10) Cl.** **23-01**

(52) **U.S. Cl.**
USPC **D23/238**

(58) **Field of Classification Search**
USPC D23/238, 241–243, 249–250, 252,
D23/254–255, 257
CPC E03C 1/04; E03C 1/0401; E03C 1/0402;
E03C 1/0404
See application file for complete search history.

(56) **References Cited**

U.S. PATENT DOCUMENTS

D513,060 S * 12/2005 Ouyoung D23/238
D577,104 S * 9/2008 Latorraca D23/238

D591,398 S * 4/2009 Lammel D23/238
D597,175 S * 7/2009 Kulig D23/238
D598,071 S * 8/2009 Lammel D23/238
D636,061 S * 4/2011 Kulig D23/238
D649,225 S * 11/2011 Flowers D23/238
D684,666 S * 6/2013 Lord D23/238
D731,623 S * 6/2015 Flowers D23/252

* cited by examiner

Primary Examiner — Robert Delehanty

(74) *Attorney, Agent, or Firm* — Muncy, Geissler, Olds & Lowe, P.C.

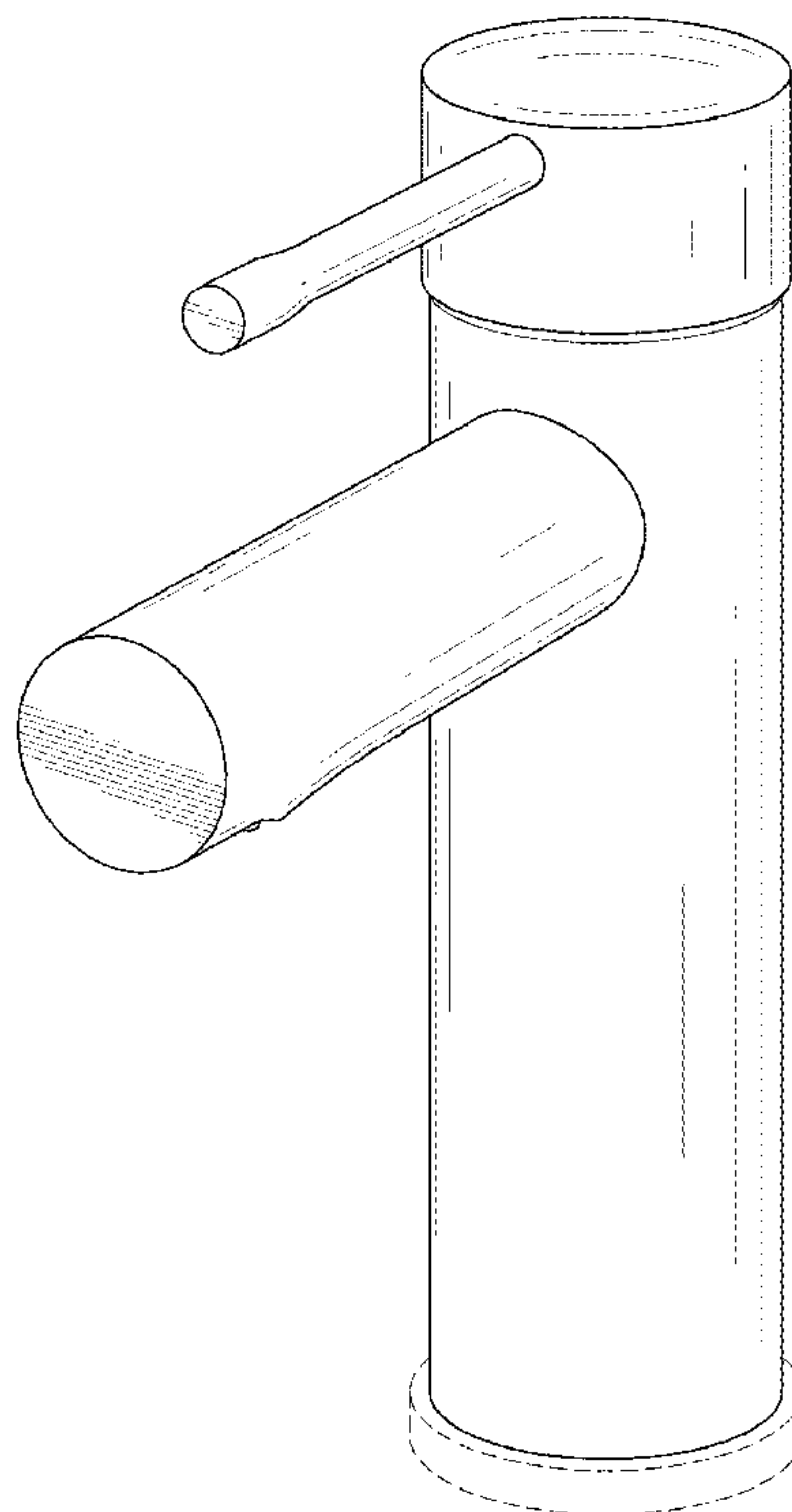
(57) **CLAIM**

The ornamental design for a basin mixer, as shown and described.

DESCRIPTION

FIG. 1 is a front perspective view of a basin mixer according to the present invention.
FIG. 2 is a left side view of the basin mixer of FIG. 1.
FIG. 3 is a right side view of the basin mixer of FIG. 1.
FIG. 4 is a top view of the basin mixer of FIG. 1.
FIG. 5 is a bottom view of the basin mixer of FIG. 1.
FIG. 6 is a front view of the basin mixer of FIG. 1; and,
FIG. 7 is a rear view of the basin mixer of FIG. 1.
The dashed lines illustrate environment that does not form a part of the present invention, and no claim is made to the material illustrated with dashed lines.

1 Claim, 7 Drawing Sheets



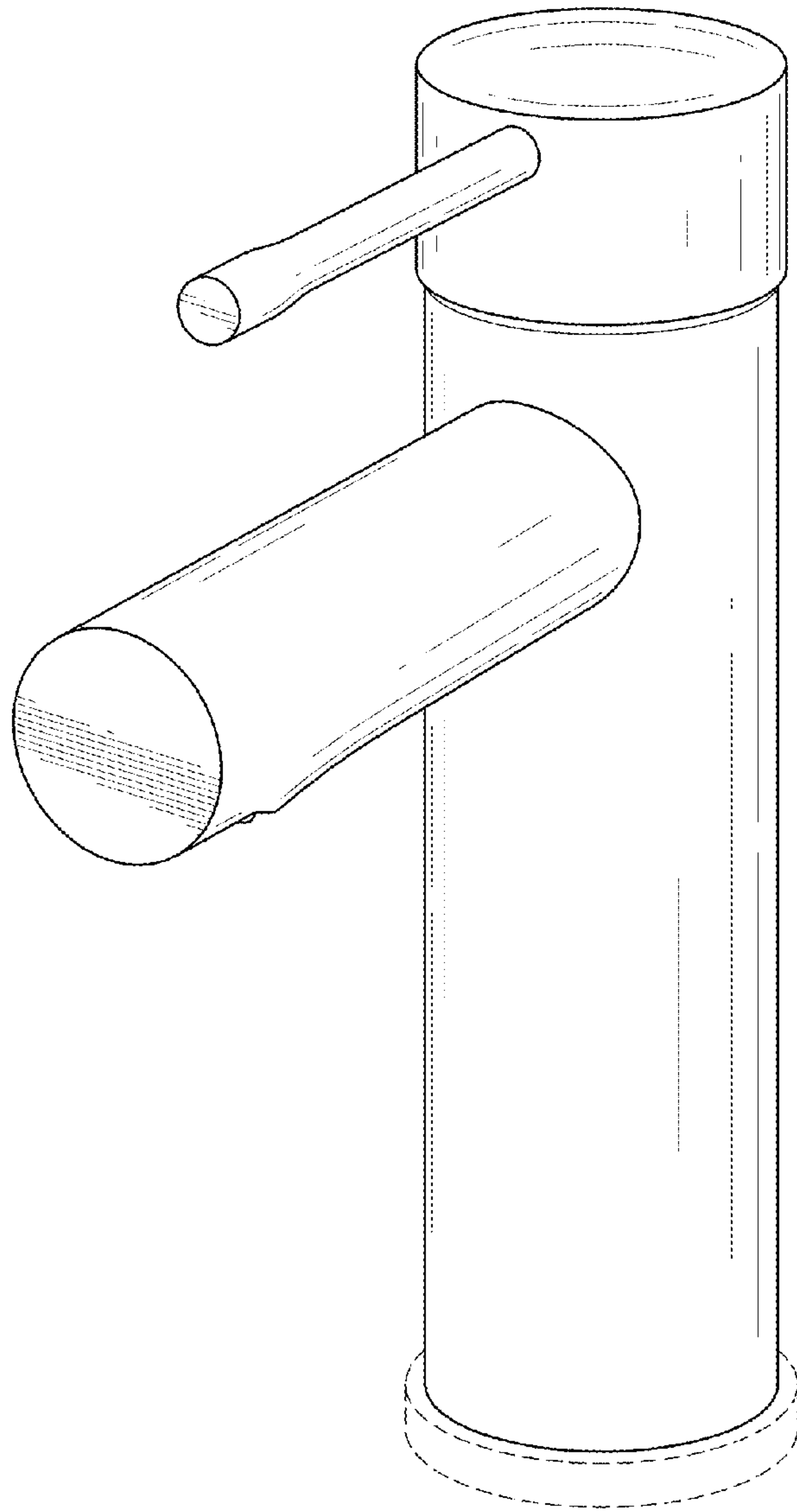


FIG.1

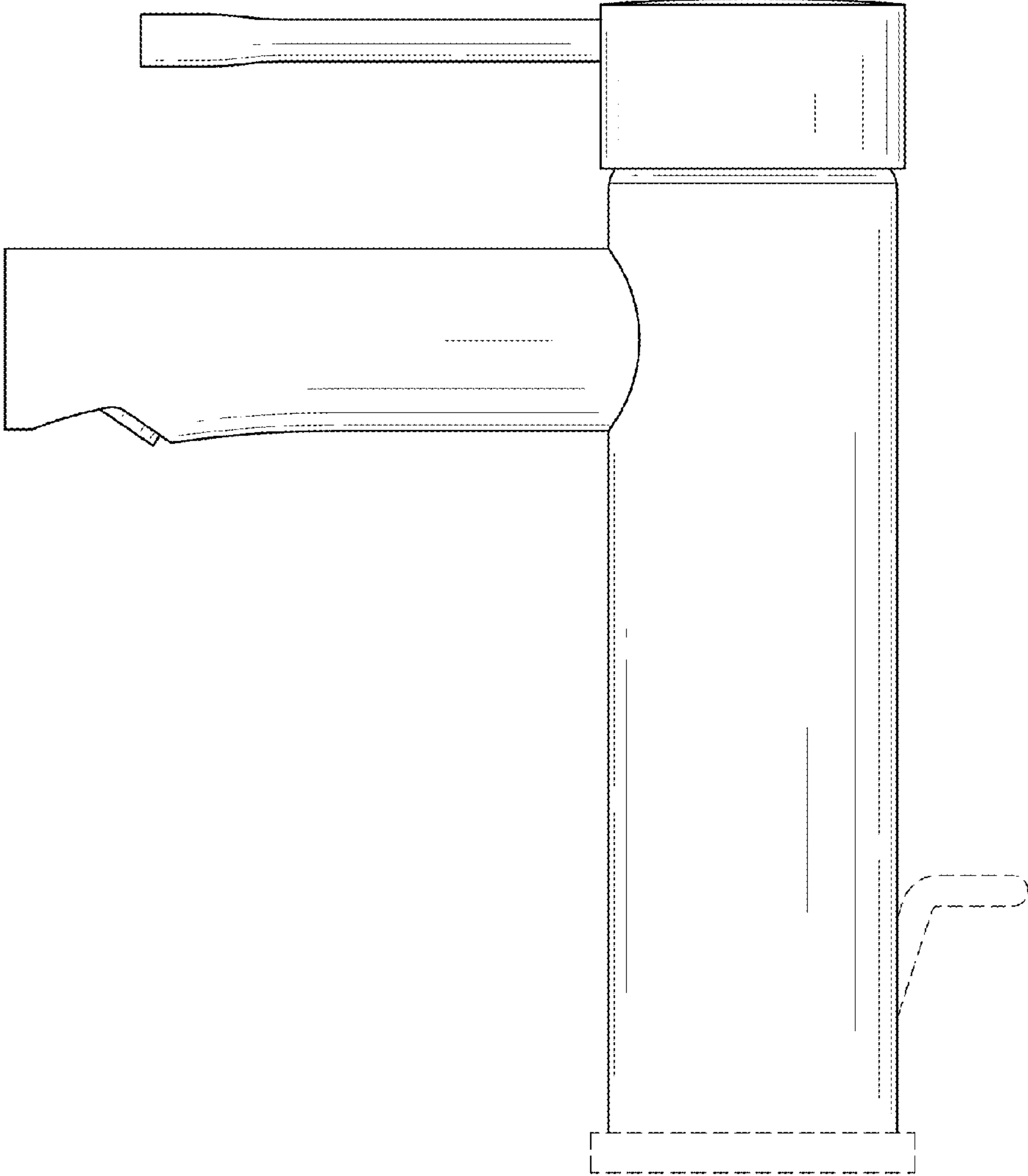


FIG.2

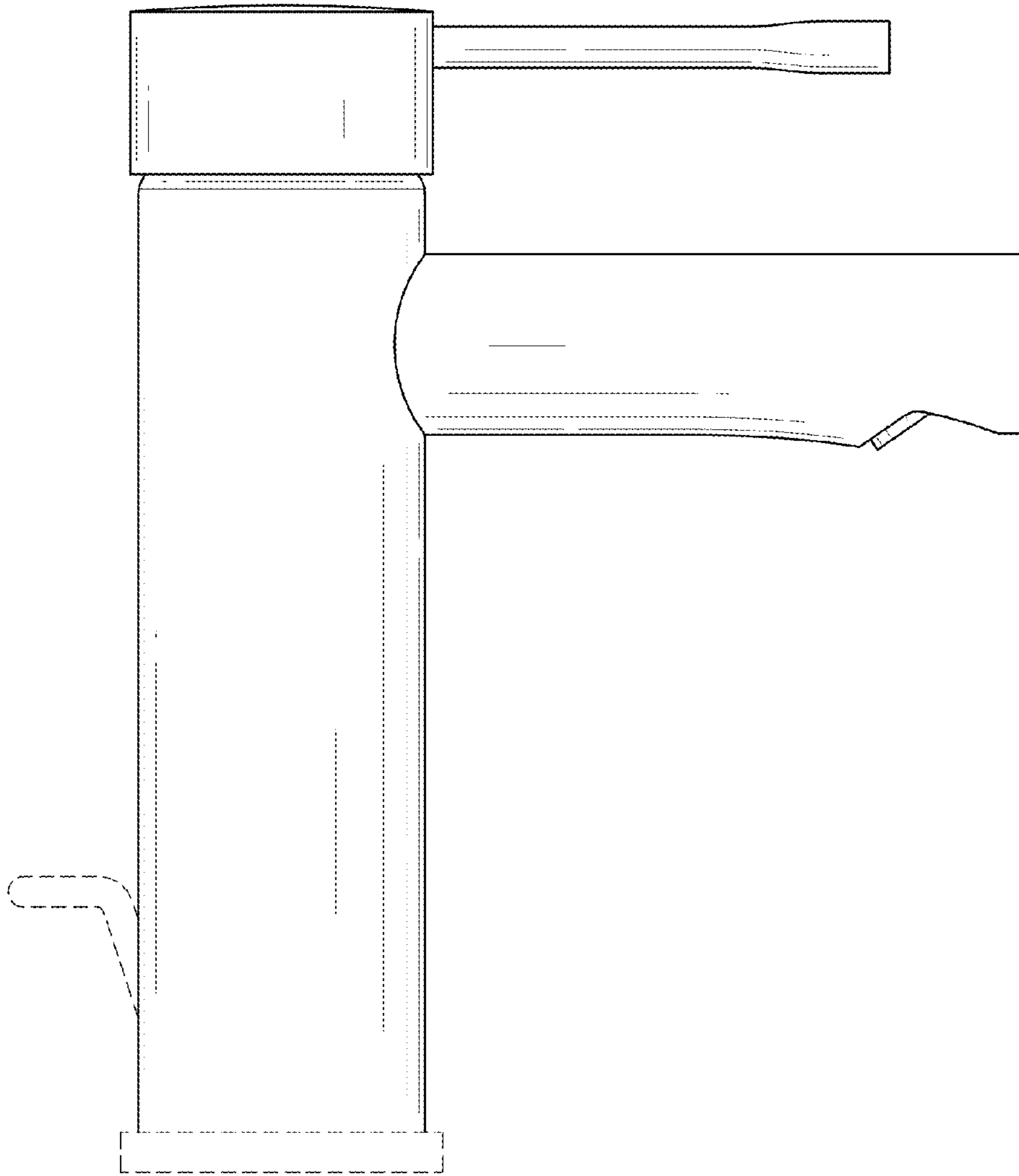


FIG.3

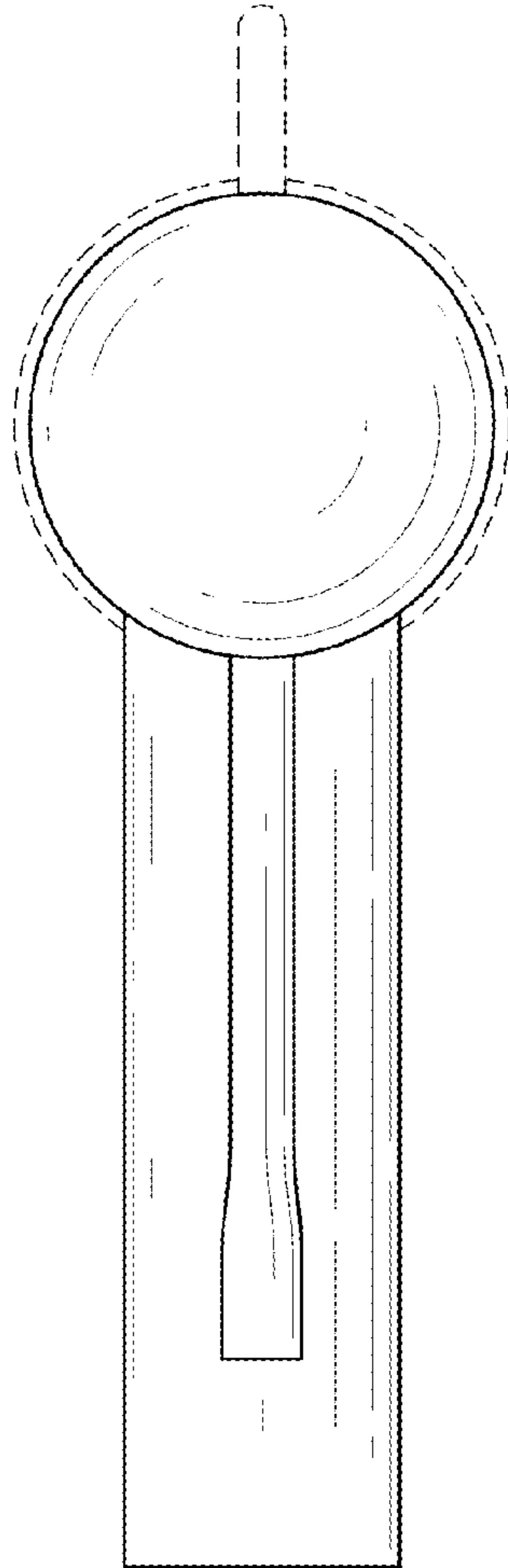


FIG.4

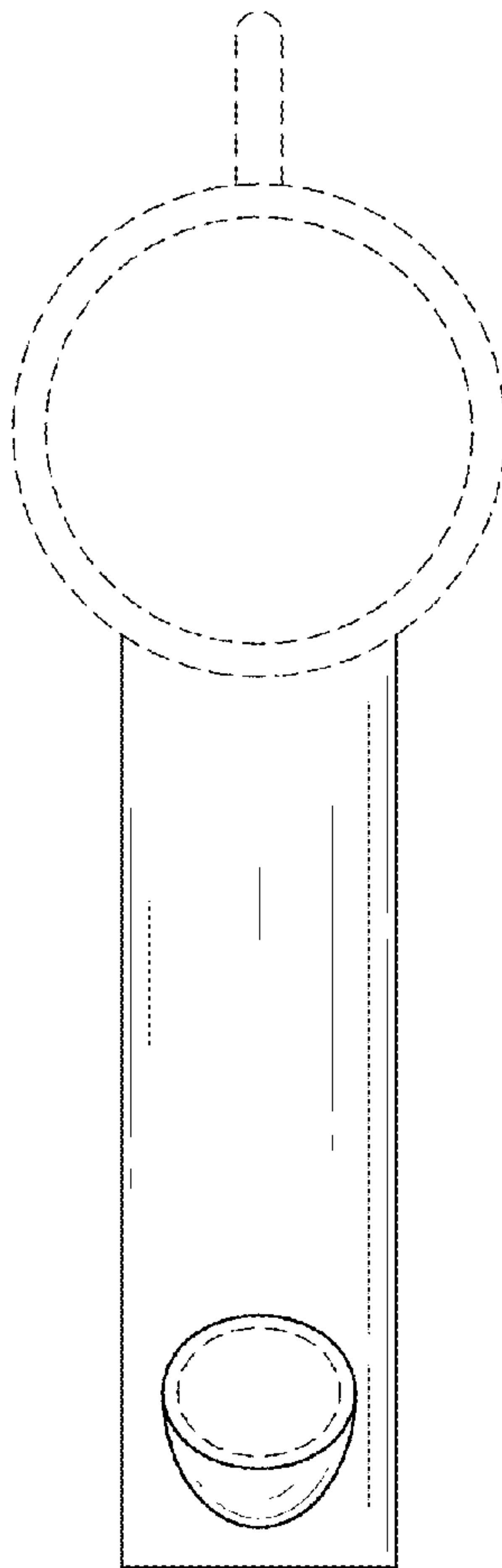


FIG.5

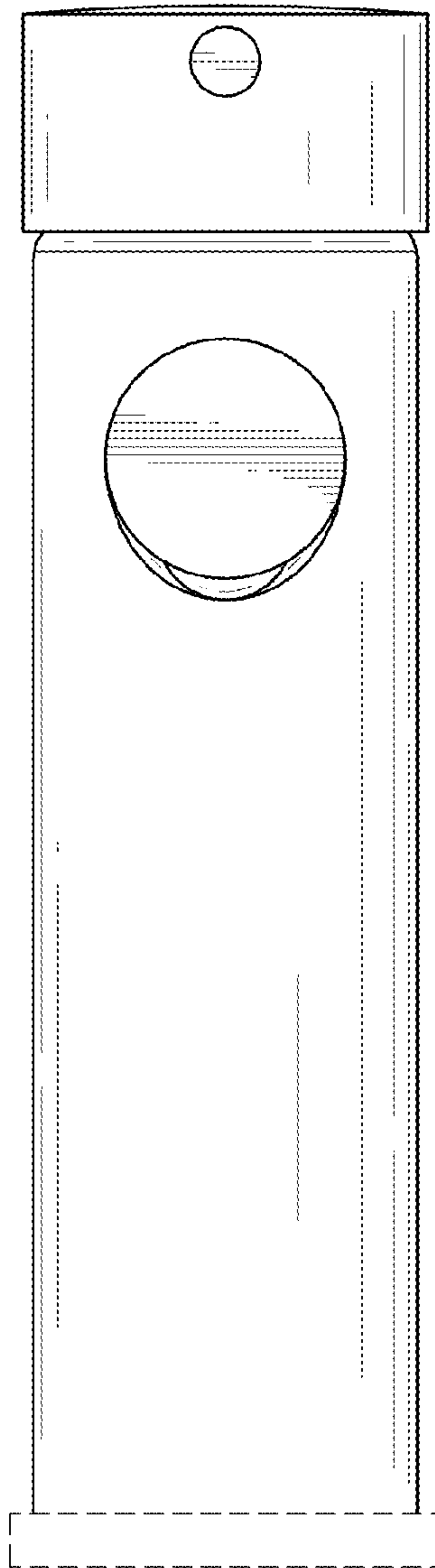


FIG.6

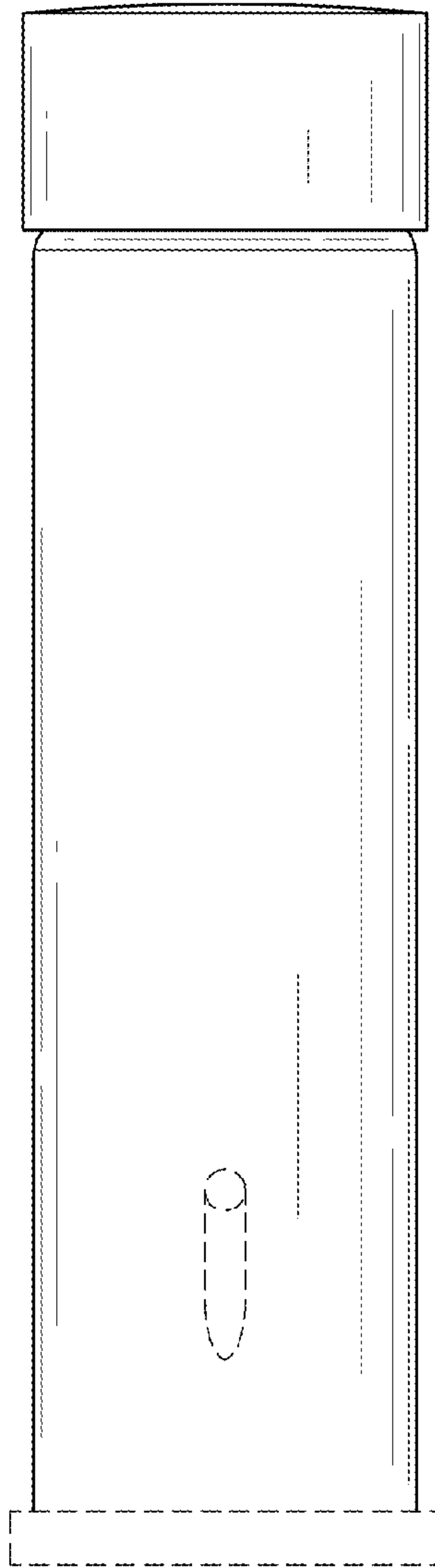


FIG.7