



US00D750201S

(12) **United States Design Patent**
Schoenherr et al.

(10) **Patent No.:** **US D750,201 S**
(45) **Date of Patent:** **** Feb. 23, 2016**

(54) **OVERHEAD SHOWER**
(71) Applicant: **Hansgrohe SE**, Schiltach (DE)
(72) Inventors: **Tom Schoenherr**, Stuttgart (DE);
Matthias Oesterle, Winterbach (DE)
(73) Assignee: **Hansgrohe SE**, Schiltach (DE)
(**) Term: **14 Years**

D590,046 S *	4/2009	Starck	D23/213
D627,429 S *	11/2010	Gessi	D23/213
D639,384 S *	6/2011	Flowers	D23/213
D639,385 S *	6/2011	Flowers	D23/213
D649,623 S *	11/2011	Flowers	D23/213
D694,358 S *	11/2013	Schoenherr	D23/213
D694,359 S *	11/2013	Schoenherr	D23/213
D707,328 S *	6/2014	Schoenherr	D23/213
D713,496 S *	9/2014	Schoenherr	D23/213
D733,257 S *	6/2015	Schoenherr	D23/213

* cited by examiner

(21) Appl. No.: **29/516,592**
(22) Filed: **Feb. 4, 2015**

Primary Examiner — Robin V Webster

(74) *Attorney, Agent, or Firm* — Lora J. Graentzdoerffer

(30) **Foreign Application Priority Data**

Aug. 7, 2014 (EM) 002516658-0003

(51) **LOC (10) Cl.** **23-01**

(52) **U.S. Cl.**
USPC **D23/213**

(58) **Field of Classification Search**
USPC D23/213, 229, 230; 4/615, 617;
239/282, 283
CPC B05B 1/00; B05B 1/18
See application file for complete search history.

(57) **CLAIM**

The ornamental design for an overhead shower, as shown and described.

DESCRIPTION

FIG. 1 is a perspective view of an overhead shower showing our design;
FIG. 2 is a front elevation view;
FIG. 3 is a rear elevation view;
FIG. 4 is a left side elevation view; wherein the right side elevation view is a mirror image;
FIG. 5 is a top plan view; and,
FIG. 6 is a bottom plan view.

The broken-line disclosure in the views represents portions of the article in which the claimed design is embodied, but which form no part of the claimed design.

(56) **References Cited**

U.S. PATENT DOCUMENTS

D531,260 S *	10/2006	Luo	D23/213
D559,952 S *	1/2008	Bickler	D23/213
D562,937 S *	2/2008	Schoenherr	D23/213

1 Claim, 6 Drawing Sheets

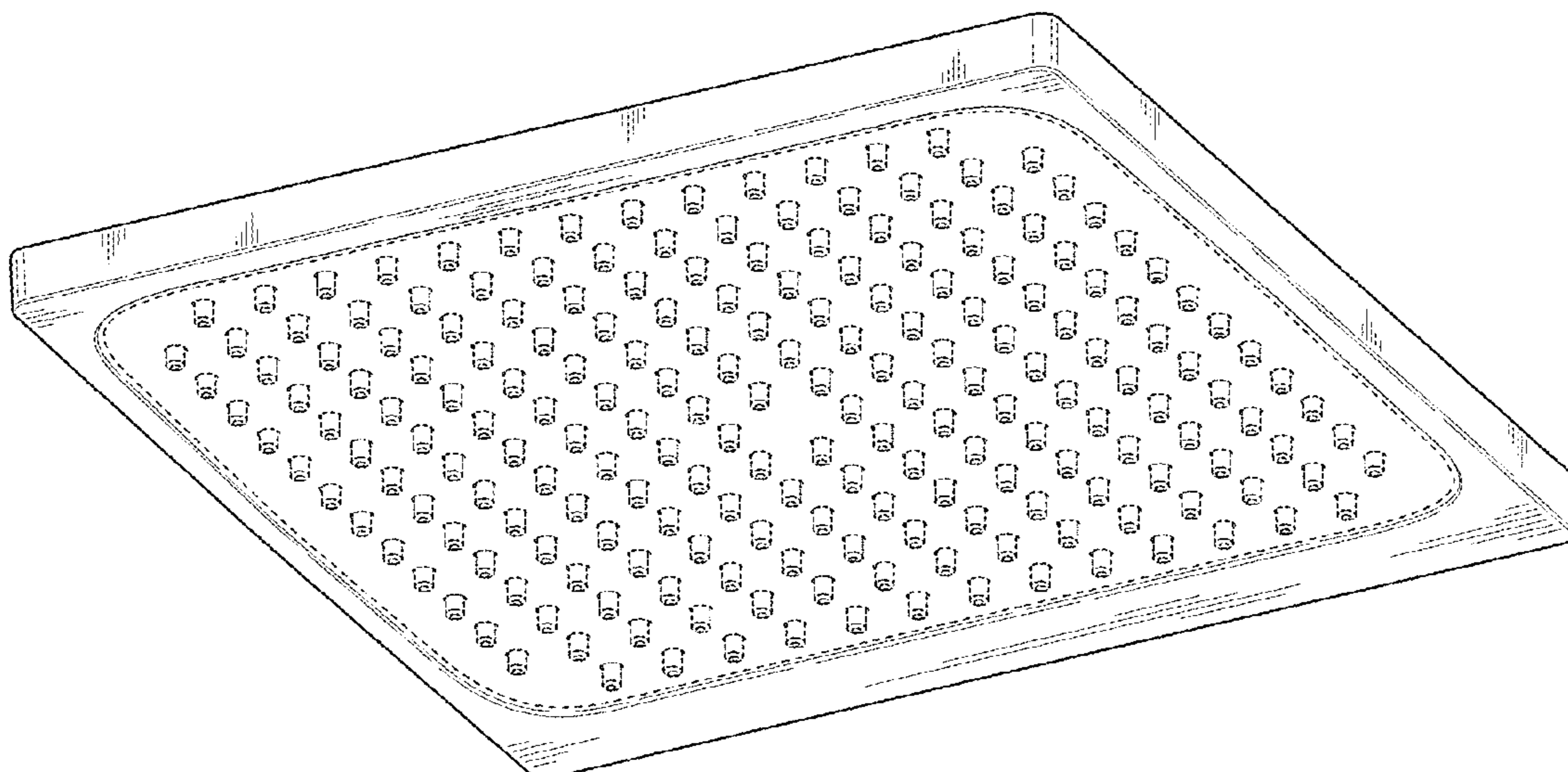


FIG. 1

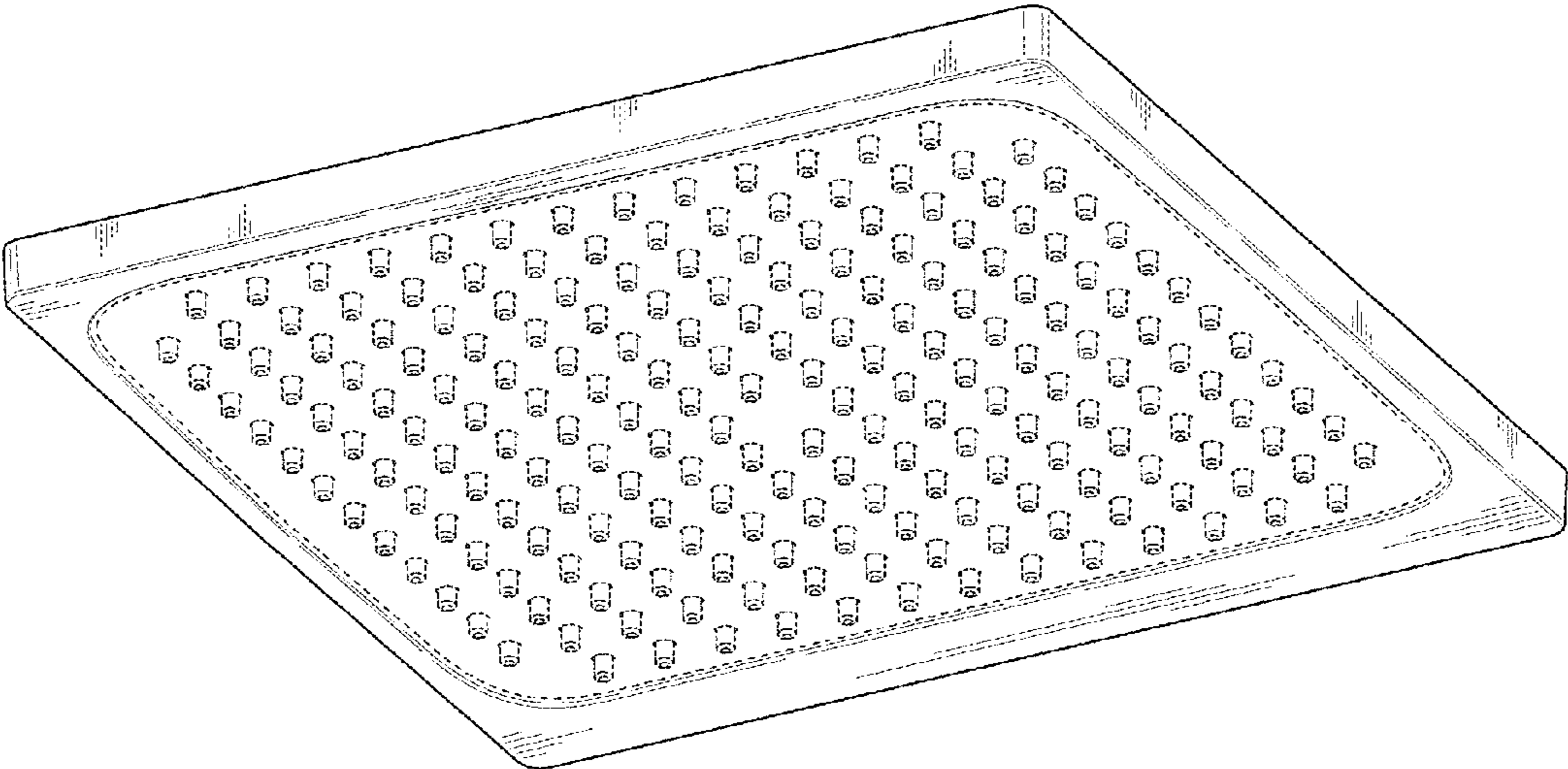


FIG. 2

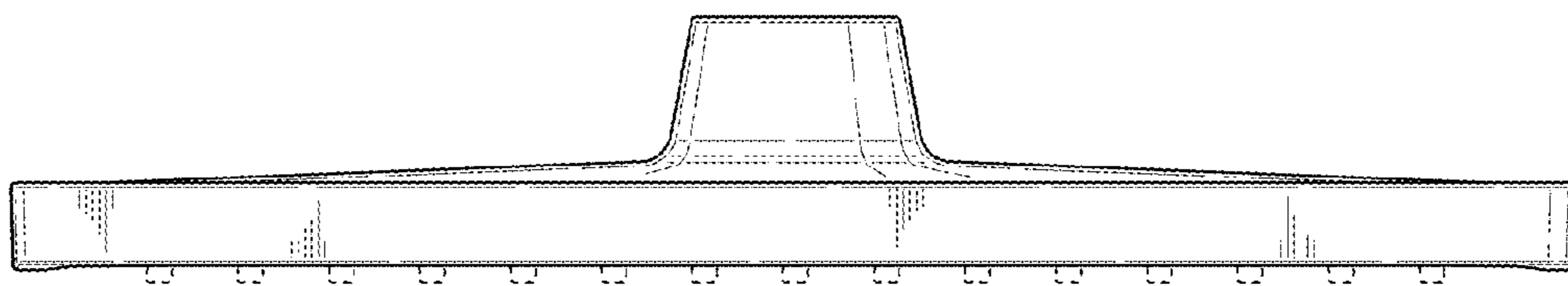


FIG. 3

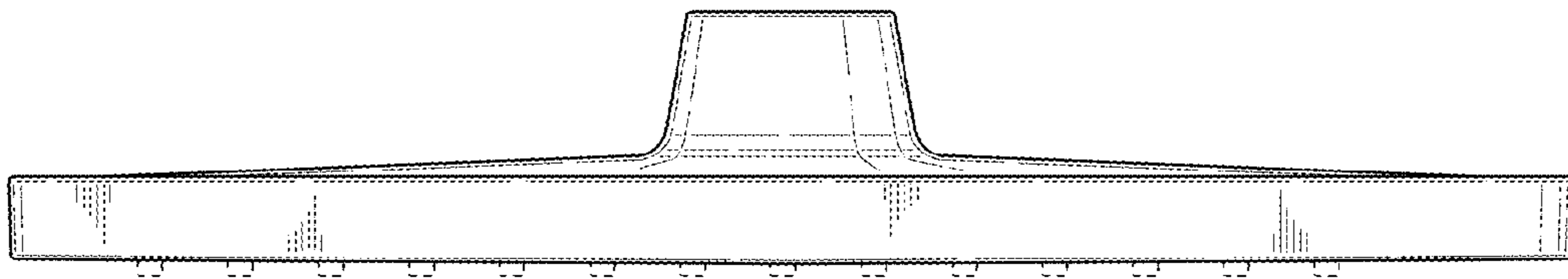


FIG. 4

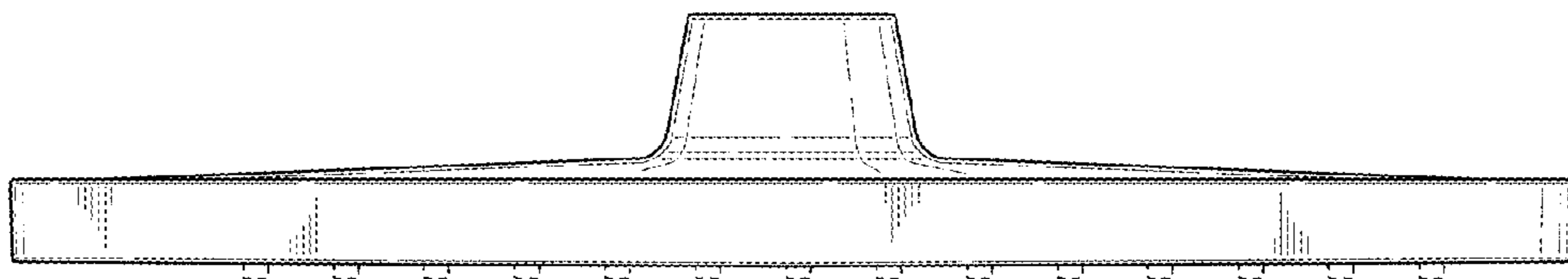


FIG.5

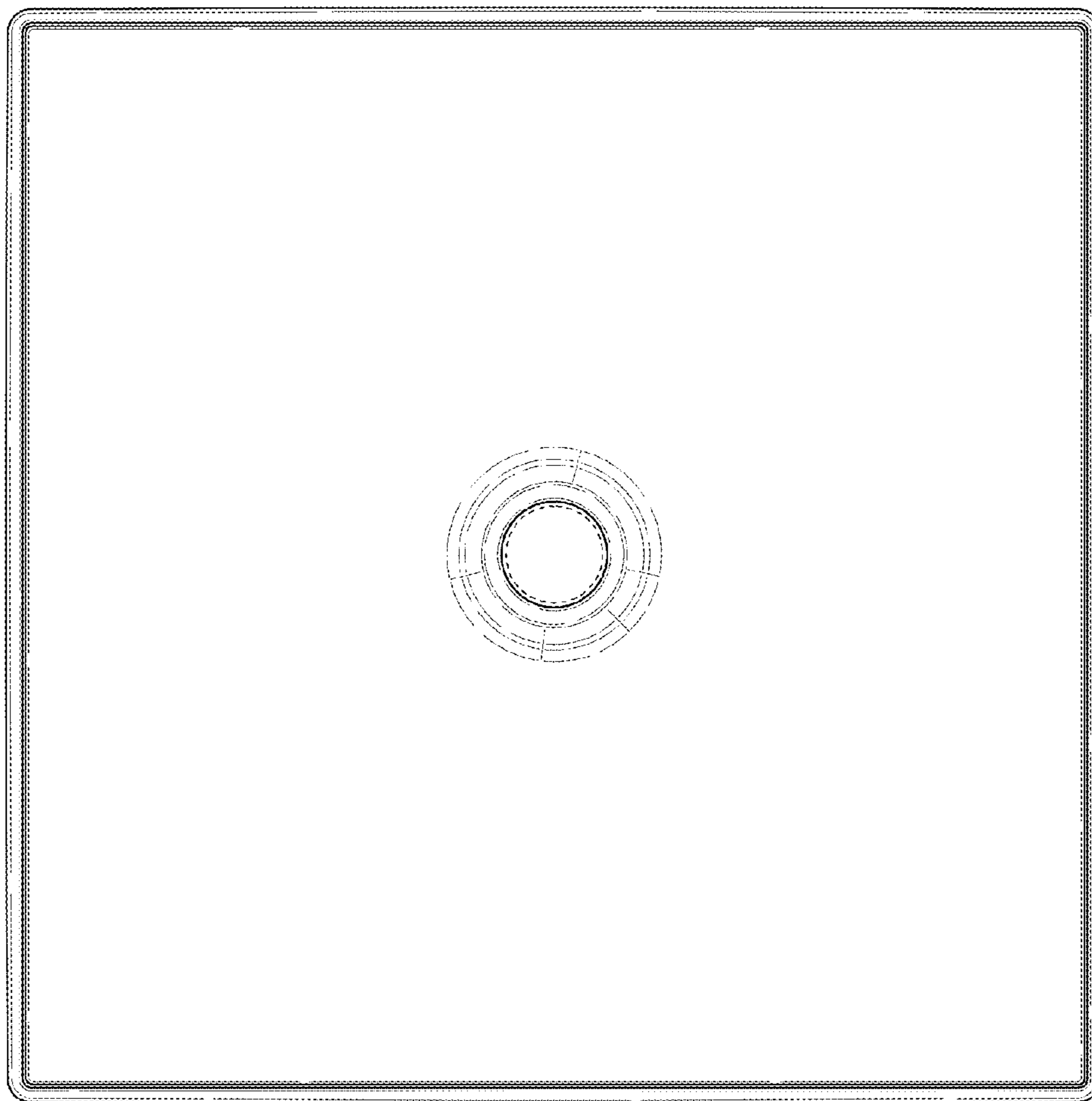


FIG. 6

