



US00D750200S

(12) **United States Design Patent**  
**Gerhards**

(10) **Patent No.:** **US D750,200 S**

(45) **Date of Patent:** **\*\* Feb. 23, 2016**

(54) **FLUSHING SYSTEM FOR WATER CLOSETS**

(56) **References Cited**

(71) Applicant: **Henkel AG & Co. KGaA**, Duesseldorf (DE)

U.S. PATENT DOCUMENTS

(72) Inventor: **Katja Gerhards**, Duesseldorf (DE)

D308,409	S	*	6/1990	Hoyt et al.	.....	D23/208
D355,474	S	*	2/1995	Kearnes et al.	.....	D23/208
6,625,821	B2	*	9/2003	Lhoste	.....	4/231
D508,549	S	*	8/2005	Keramidas	.....	D23/208
8,099,800	B2	*	1/2012	Sawalski et al.	.....	4/223
D698,414	S	*	1/2014	Bruining et al.	.....	D23/208

(73) Assignee: **Henkel AG & Co. KGaA**, Duesseldorf (DE)

\* cited by examiner

(\*\*) Term: **15 Years**

*Primary Examiner* — Robin V Webster

(21) Appl. No.: **29/535,683**

(74) *Attorney, Agent, or Firm* — P. Scott Smith

(22) Filed: **Aug. 10, 2015**

**Related U.S. Application Data**

(57) **CLAIM**

(62) Division of application No. 29/507,019, filed on Oct. 23, 2014, now Pat. No. Des. 738,990, which is a division of application No. 29/468,214, filed on Sep. 27, 2013, now Pat. No. Des. 721,784.

The ornamental design for a flushing system for water closets, as shown and described.

**DESCRIPTION**

(30) **Foreign Application Priority Data**

Apr. 12, 2013 (EM) ..... 002219287

(51) **LOC (10) Cl.** ..... **23-01**

(52) **U.S. Cl.**  
USPC ..... **D23/208**

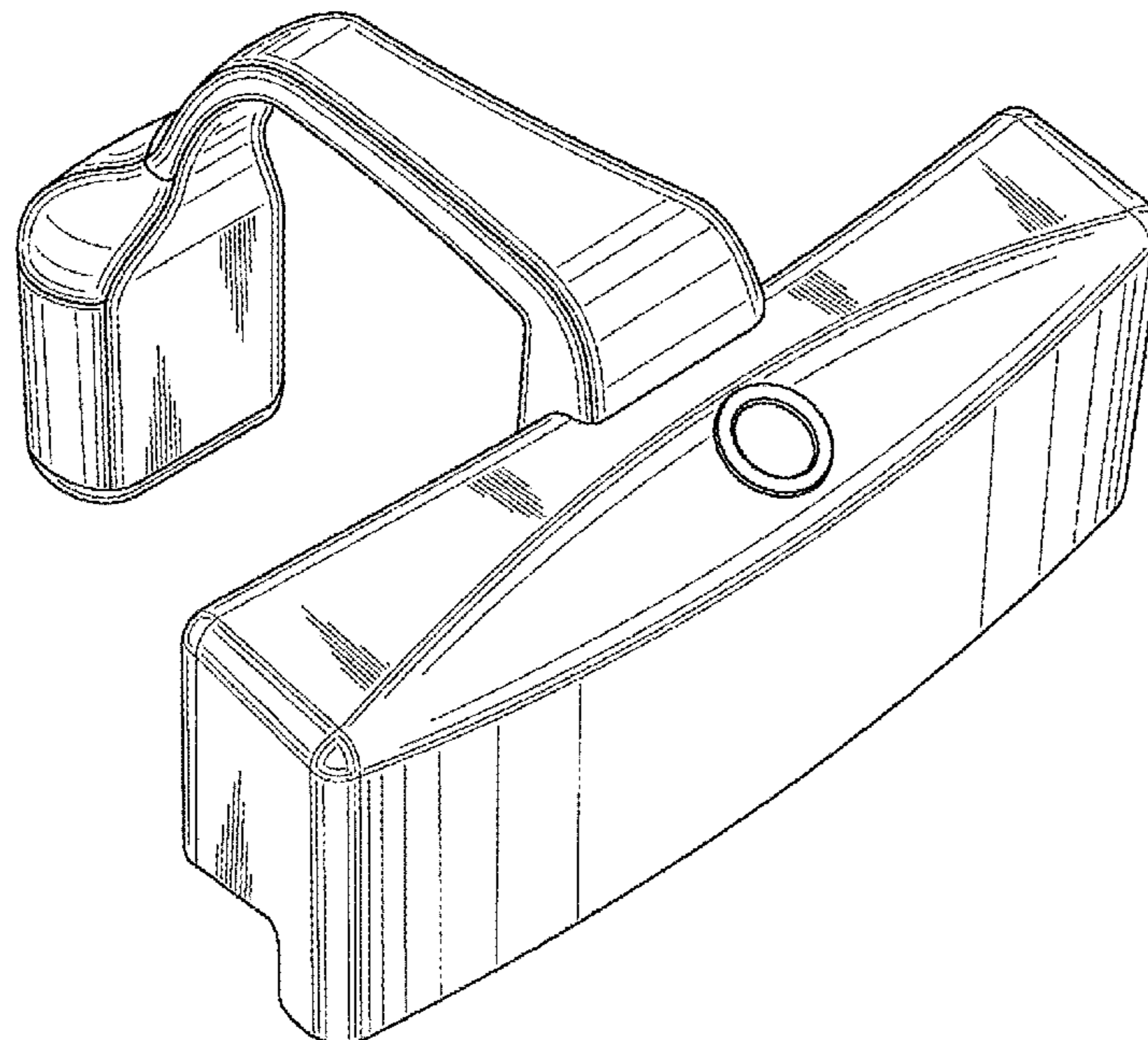
(58) **Field of Classification Search**  
USPC ..... D23/207, 208; 4/223, 225.1, 227.1, 4/231, 232  
CPC ..... E03D 9/02; E03D 9/032

FIG. 1 is a front perspective view of a flushing system for water closets embodying my new design;  
FIG. 2 is a front side elevation view thereof;  
FIG. 3 is a rear side elevation view thereof;  
FIG. 4 is a right side elevation view thereof;  
FIG. 5 is a left side elevation view thereof;  
FIG. 6 is a top plan view thereof; and,  
FIG. 7 is a bottom plan view thereof.

The broken line showing is included for the purpose of illustrating and forms no part of the claimed design.

See application file for complete search history.

**1 Claim, 5 Drawing Sheets**



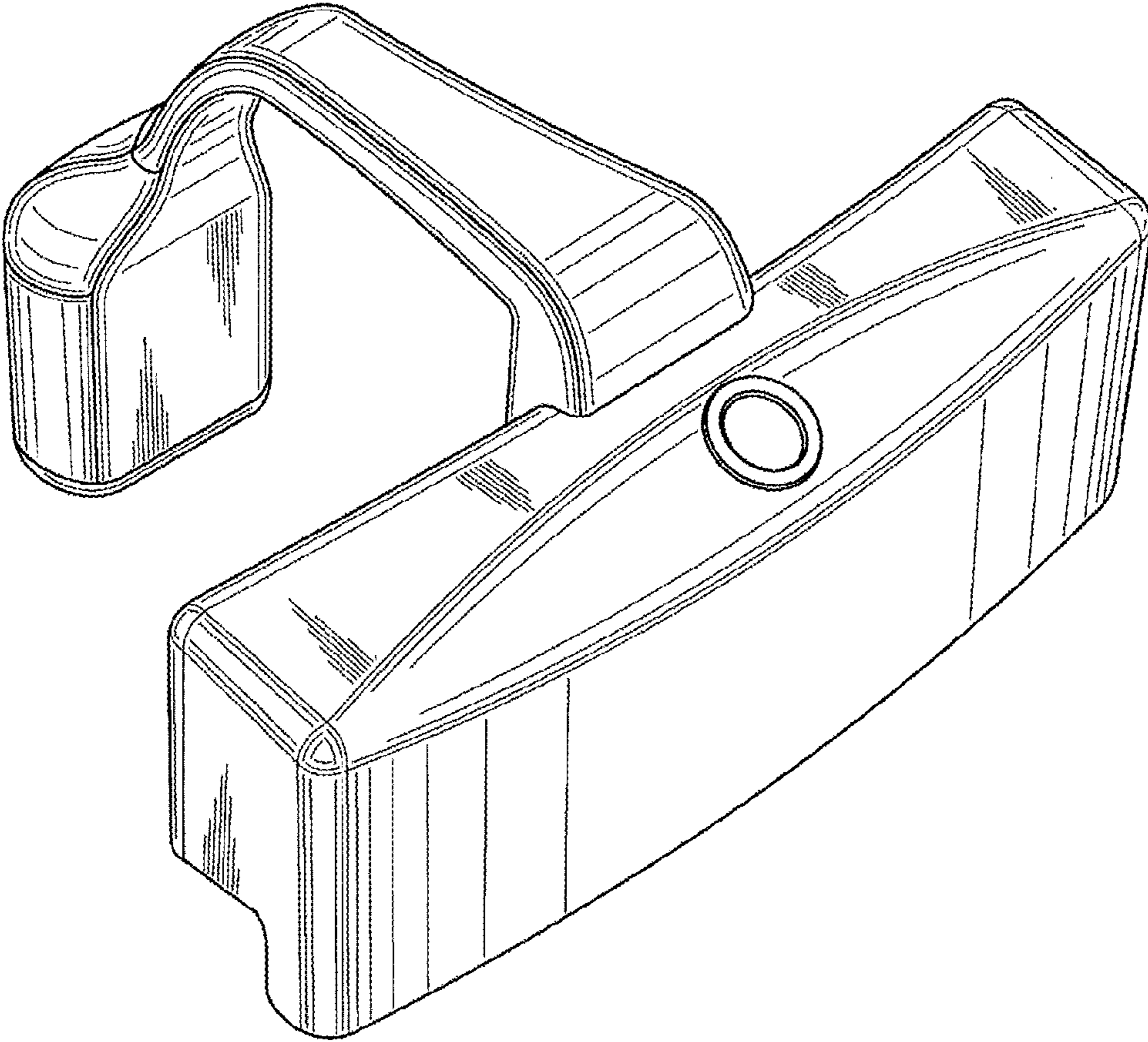


FIG. 1

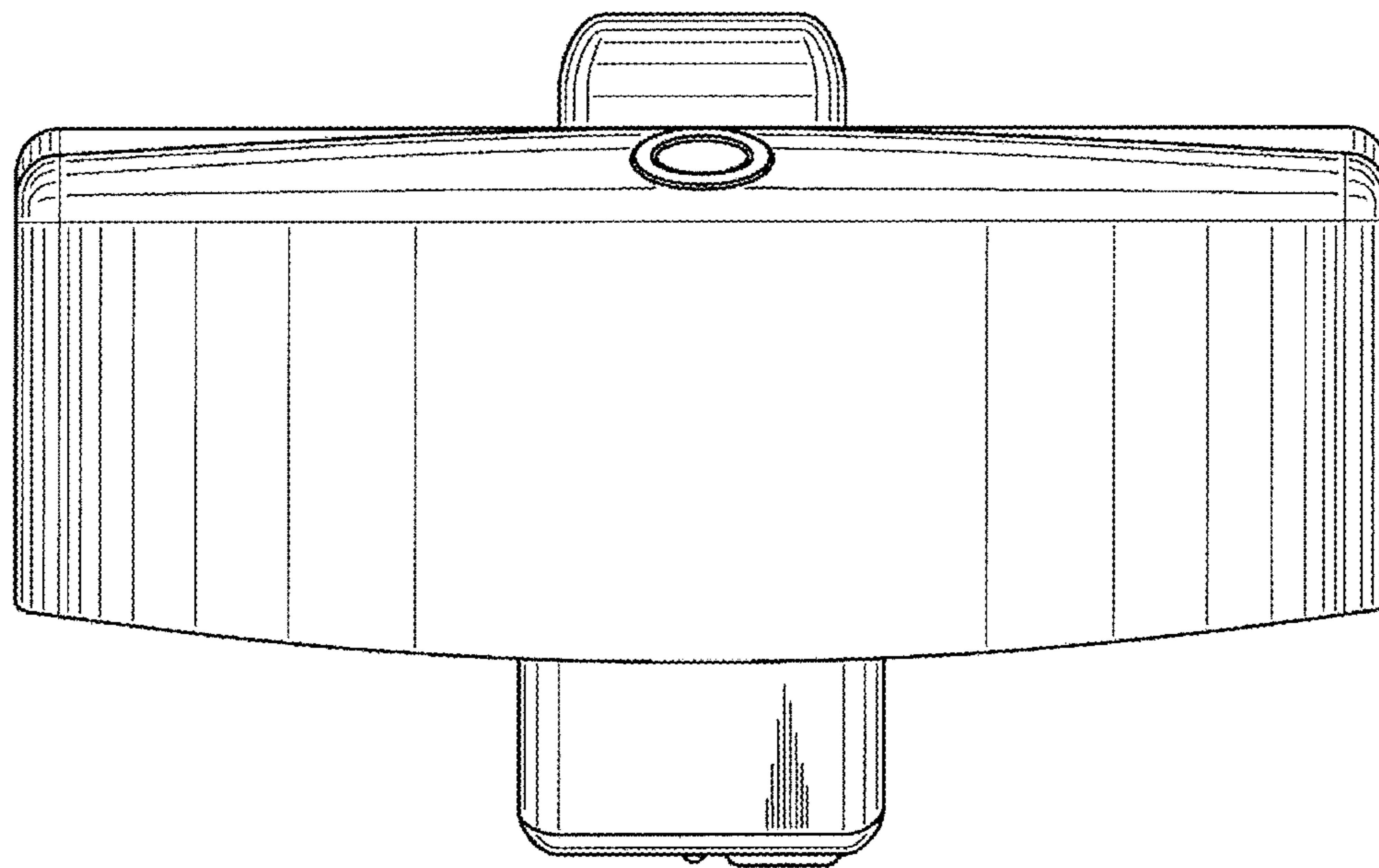


FIG. 2

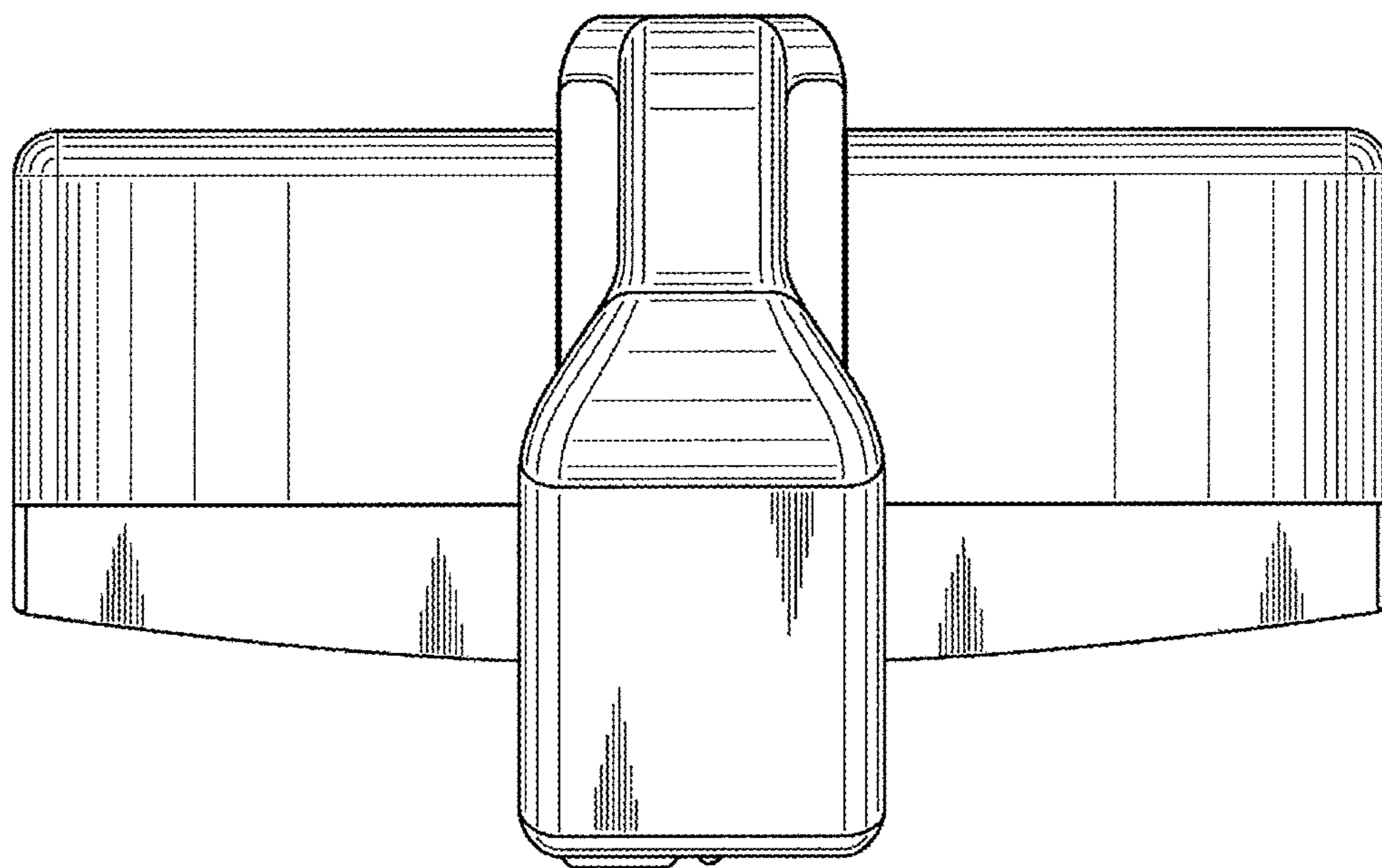


FIG. 3

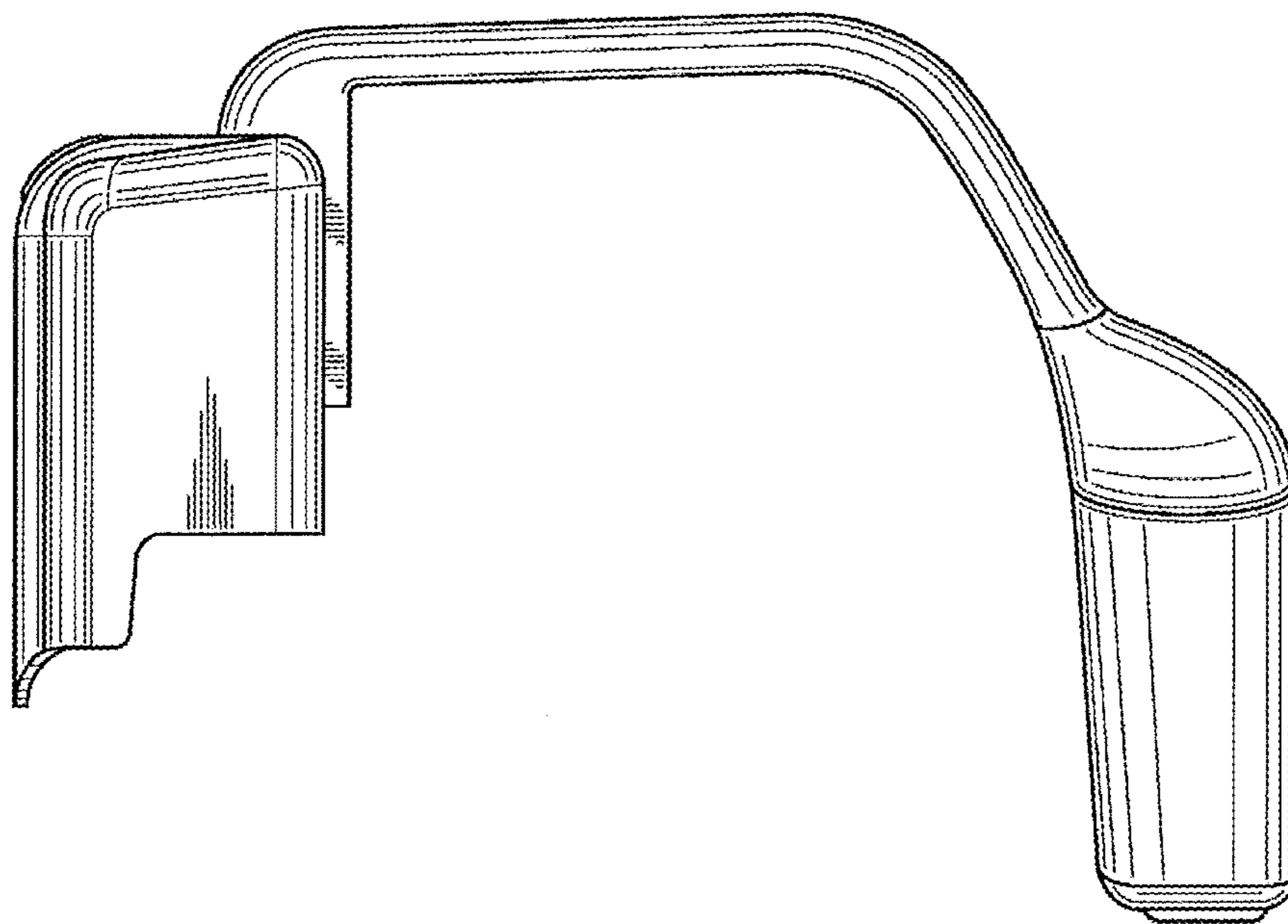


FIG. 4

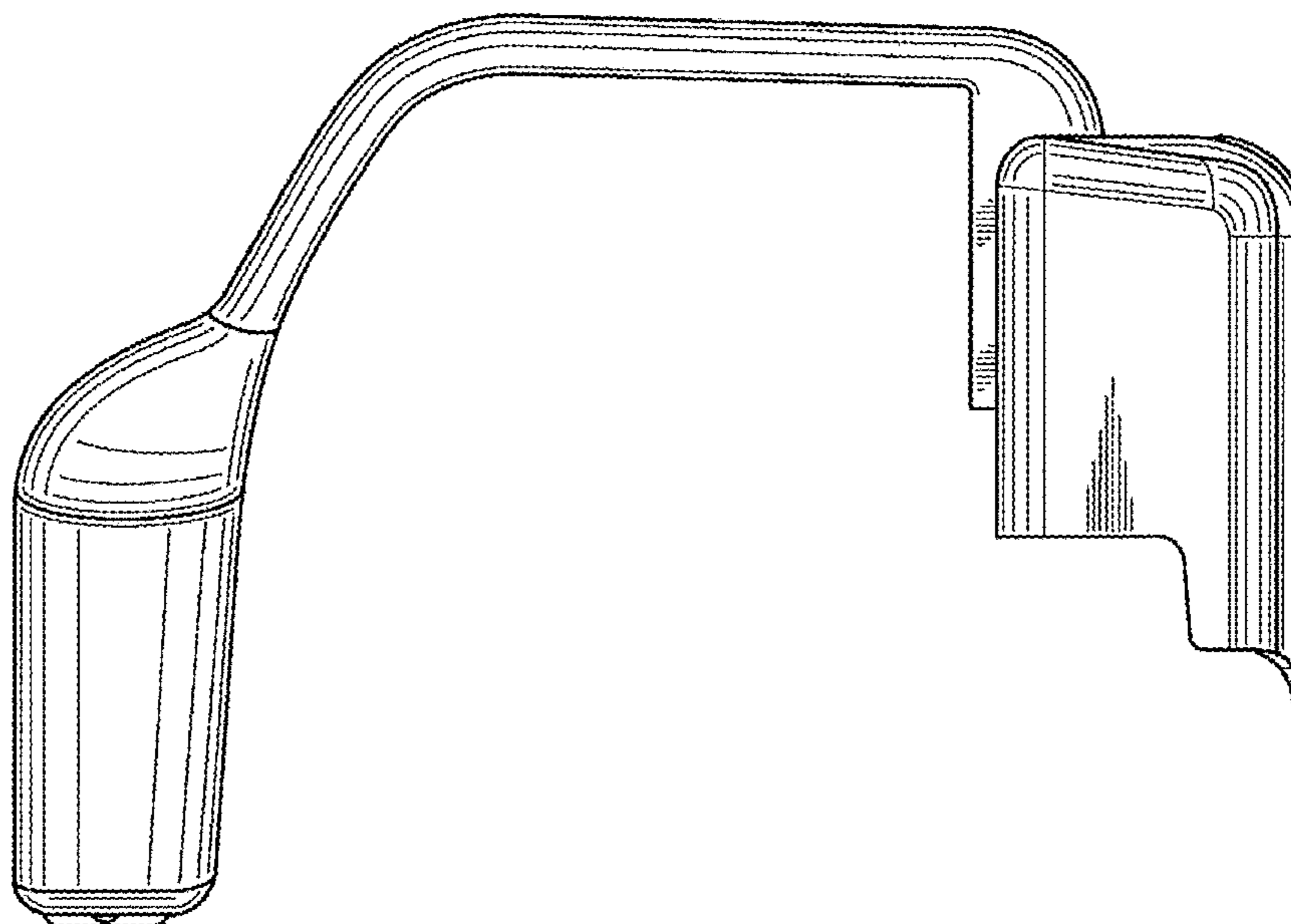


FIG. 5

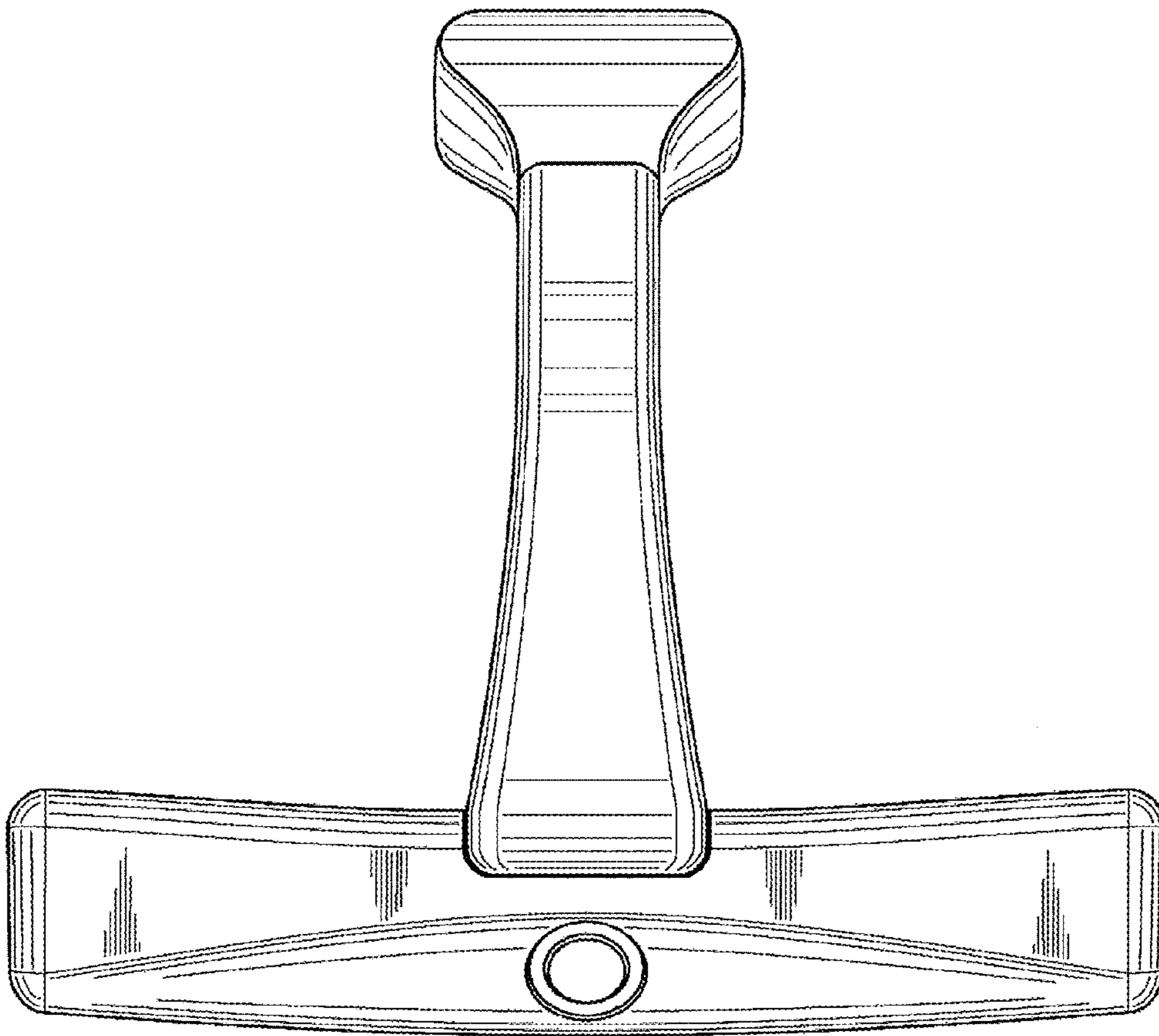


FIG. 6

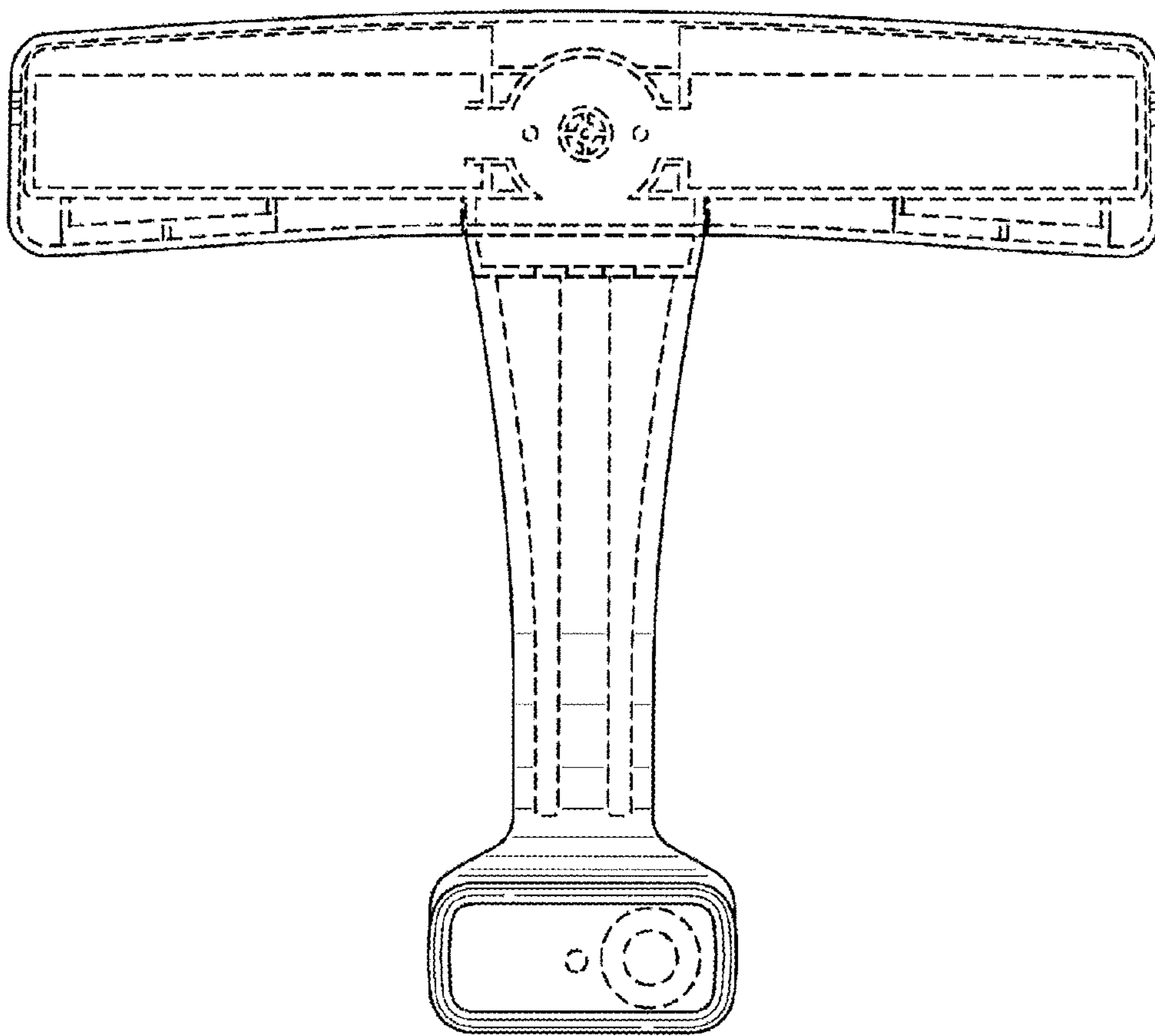


FIG. 7