



US00D750198S

(12) **United States Design Patent**
Bartell

(10) **Patent No.:** **US D750,198 S**

(45) **Date of Patent:** **** Feb. 23, 2016**

- (54) **FISH HOOK BARB**
- (71) Applicant: **Wright & McGill Co.**, Denver, CO (US)
- (72) Inventor: **Joseph E. Bartell**, Littleton, CO (US)
- (73) Assignee: **WRIGHT & MCGILL CO.**, Denver, CO (US)

D384,725 S	10/1997	Drury, Jr.	
6,240,672 B1	6/2001	Huppert	
6,405,477 B1	6/2002	Huppert	
6,598,336 B2 *	7/2003	Link	A01K 85/00
			43/42.24
7,140,146 B2	11/2006	Gill	
D704,796 S	5/2014	LaFlamme	
D705,386 S	5/2014	Gray	

- (**) Term: **14 Years**
- (21) Appl. No.: **29/501,009**
- (22) Filed: **Aug. 29, 2014**
- (51) **LOC (10) Cl.** **22-05**
- (52) **U.S. Cl.**
USPC **D22/144**
- (58) **Field of Classification Search**
USPC D22/144-146, 134, 199; 43/42.31,
43/42.28, 44.8, 42.37, 57.1, 25.2, 42.43,
43/42.09, 42.42, 42.4, 3, 43.4
See application file for complete search history.

OTHER PUBLICATIONS

Sanden, Corey Christopher et al. U.S. Appl. No. 62/025,817, Entitled "Dual Barb Fish Hook", filed Jul. 17, 2014, 6 pages.
 Notice of Allowance for U.S. Appl. No. 29/458,755, mailed Dec. 18, 2013, 7 pages.
 Notice of Allowance for U.S. Appl. No. 29/458,753, mailed Dec. 18, 2013, 7 pages.

* cited by examiner

Primary Examiner — Catheri Oliver-Garcia
 (74) *Attorney, Agent, or Firm* — Sheridan Ross P.C.

(56) **References Cited**

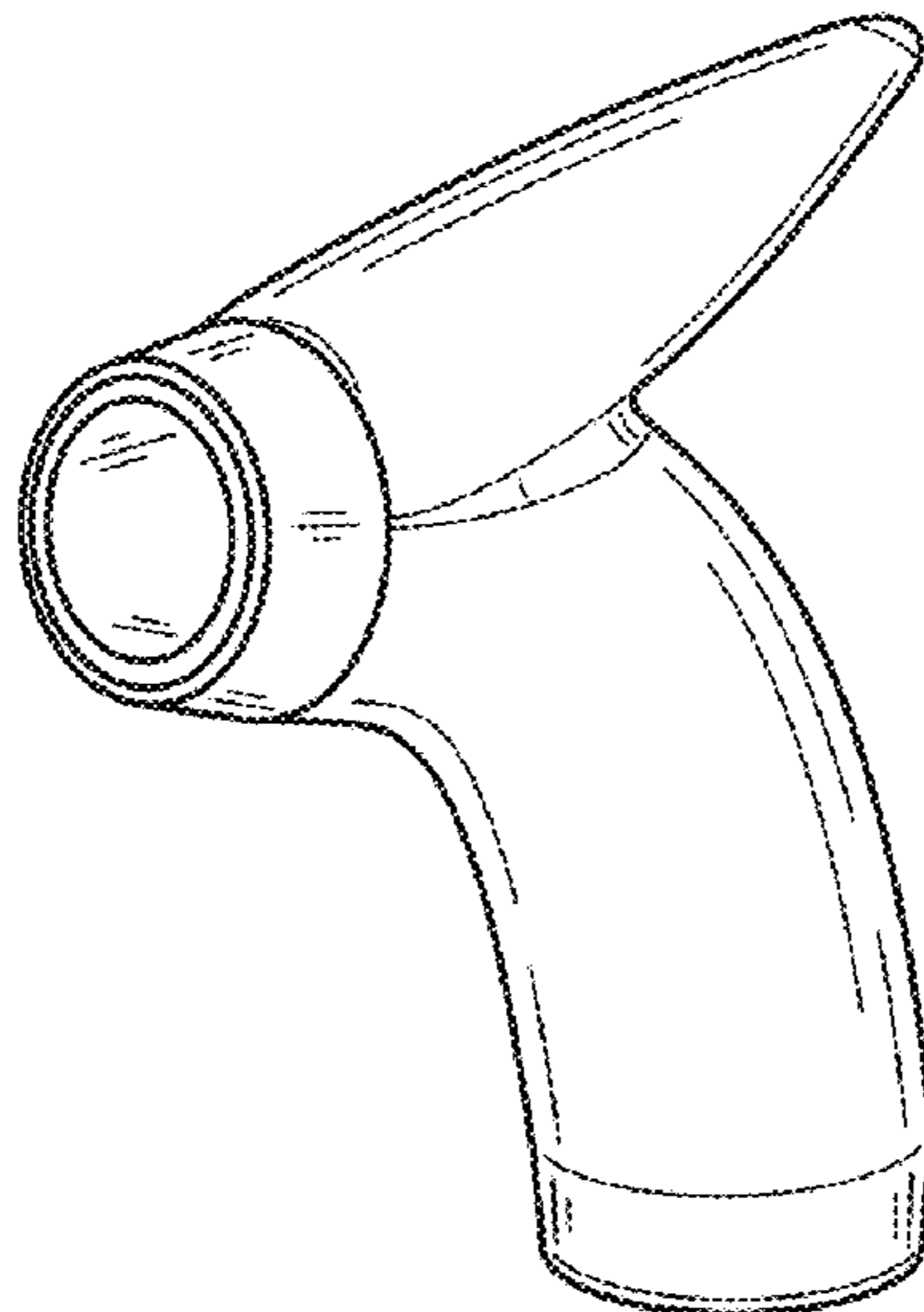
U.S. PATENT DOCUMENTS

- | | | | |
|---------------|---------|-----------|------------|
| D153,366 S | 4/1949 | Kocarek | |
| 2,993,293 A | 7/1961 | Blout | |
| 3,231,999 A * | 2/1966 | Gurka | A01K 83/00 |
| | | | 43/42.09 |
| 3,331,152 A * | 7/1967 | Starrett | A01K 97/06 |
| | | | 43/57.1 |
| 3,418,745 A * | 12/1968 | Loos | A01K 85/16 |
| | | | 43/42.09 |
| 3,640,014 A * | 2/1972 | Gurka | A01K 85/02 |
| | | | 43/42.43 |
| 3,815,274 A * | 6/1974 | Schleif | A01K 85/02 |
| | | | 43/42.1 |
| 4,418,490 A | 12/1983 | Ancona | |
| D320,060 S | 9/1991 | Austin | |
| D329,487 S * | 9/1992 | Pruiksmas | D22/144 |
| D331,788 S | 12/1992 | Jensen | |

DESCRIPTION

FIG. 1 is a left elevation view of a fish hook barb;
 FIG. 2 is a front perspective view thereof;
 FIG. 3 is a top plan view thereof;
 FIG. 4 is a left elevation view thereof;
 FIG. 5 is a rear elevation view thereof;
 FIG. 6 is front elevation view thereof;
 FIG. 7 is a right elevation view thereof; and,
 FIG. 8 is a bottom plan view of thereof.
 The broken lines in the drawings are provided for the purpose of illustrating environment and form no part of the claimed design.

1 Claim, 3 Drawing Sheets



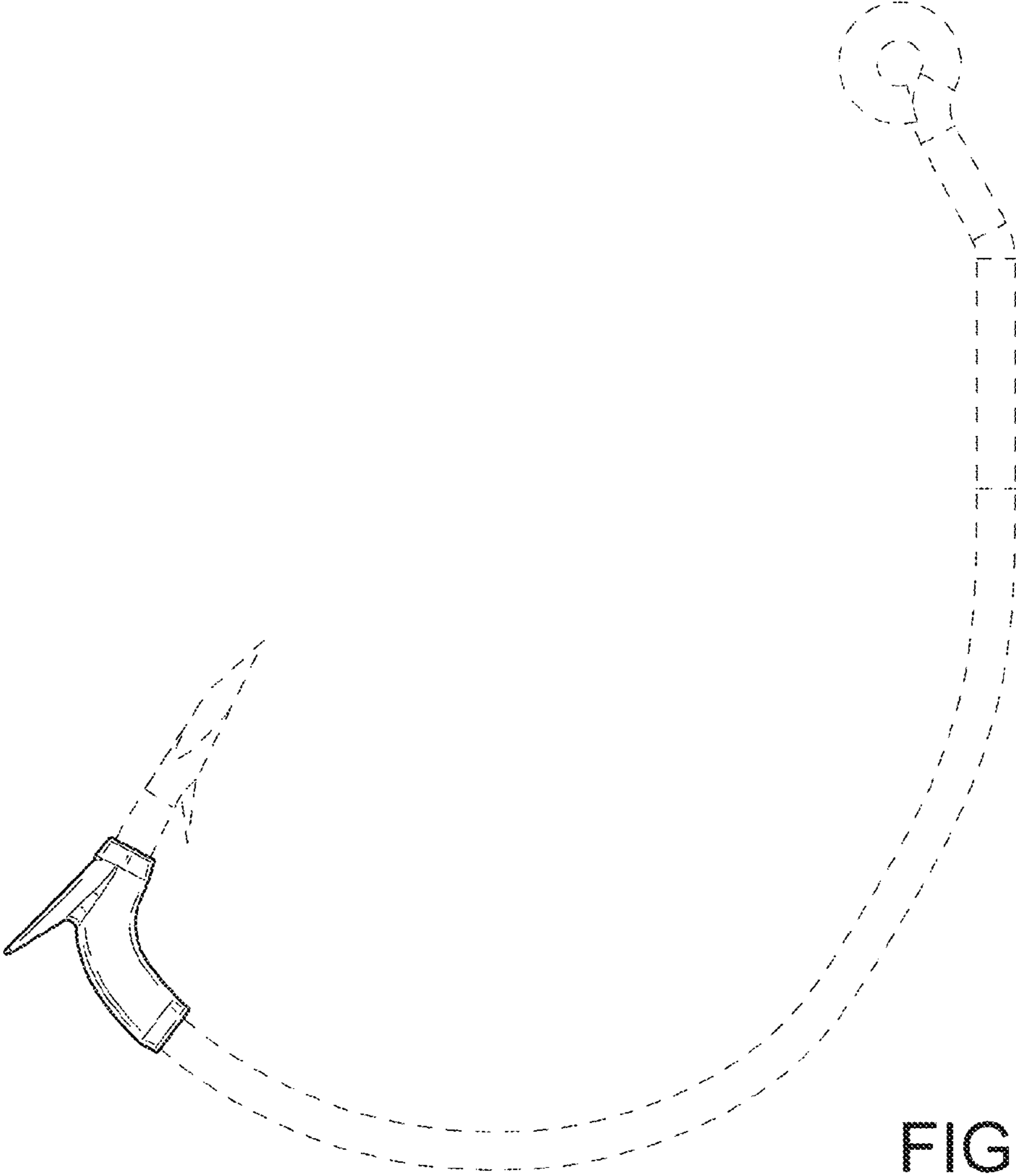


FIG. 1

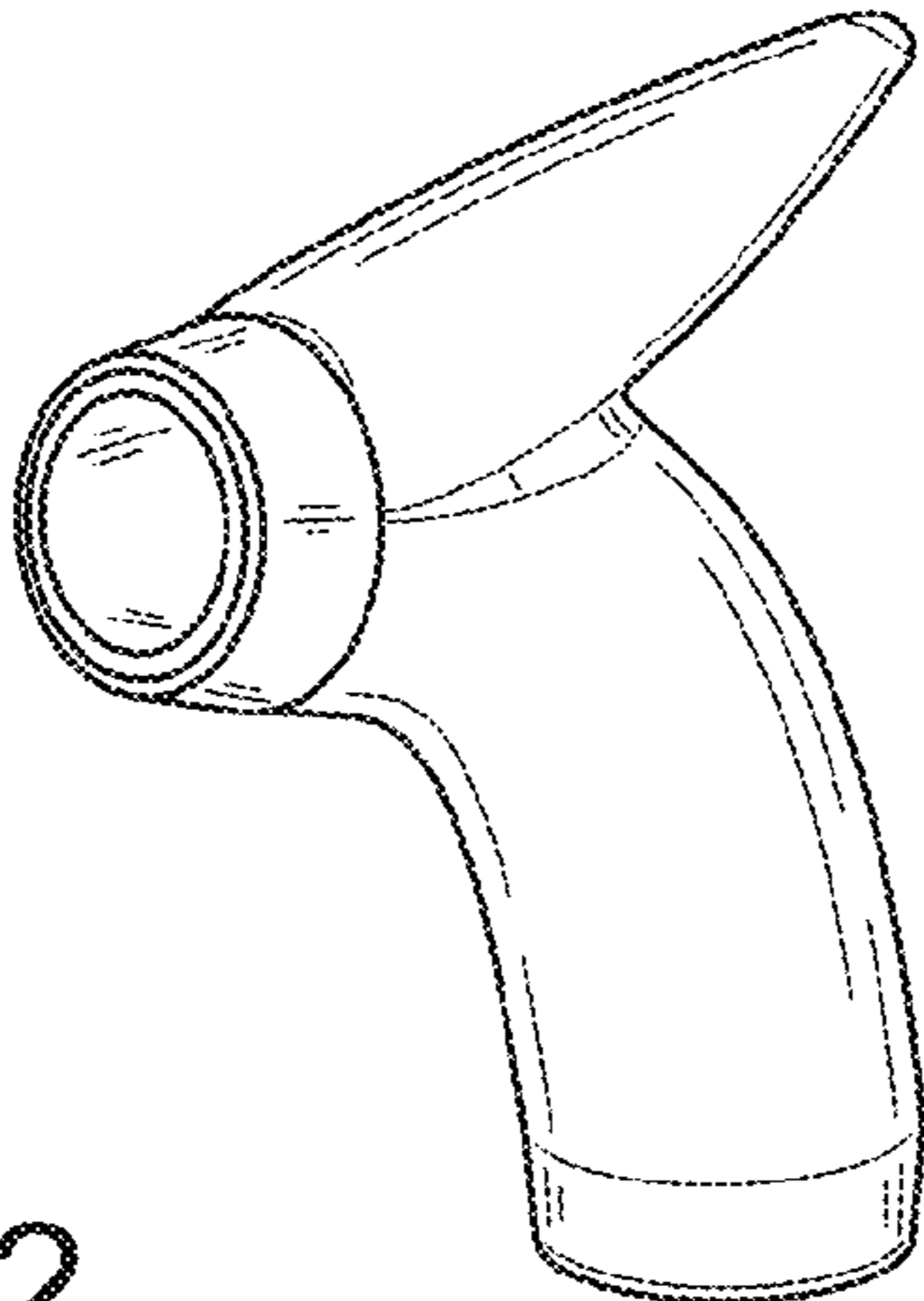


FIG. 2

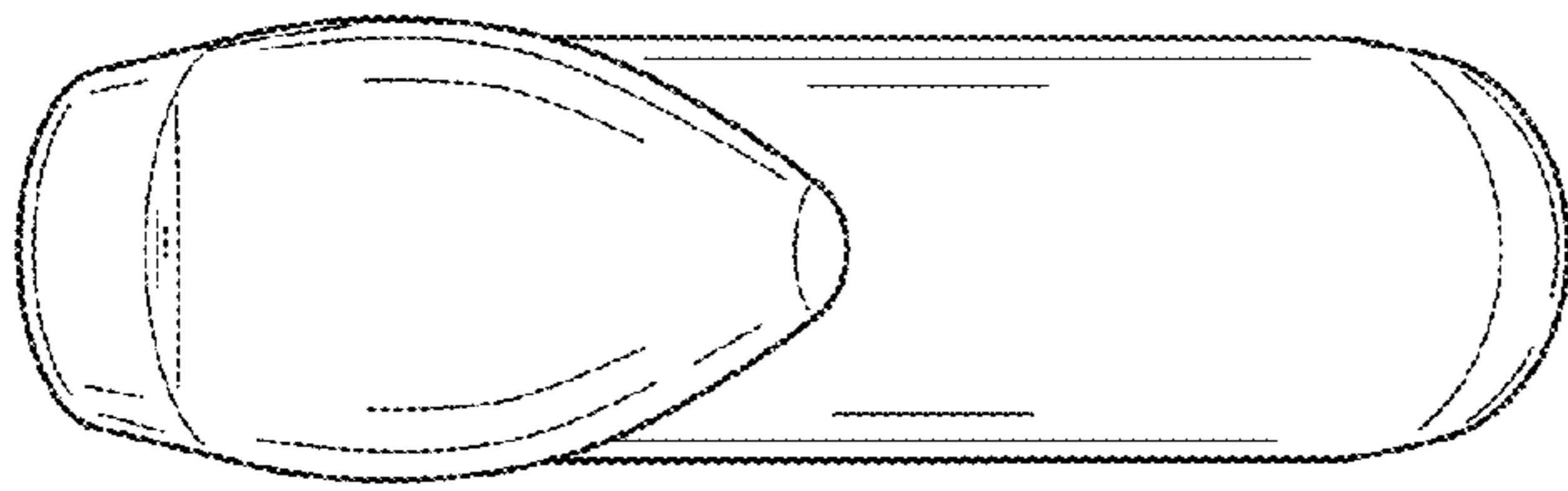


FIG.3

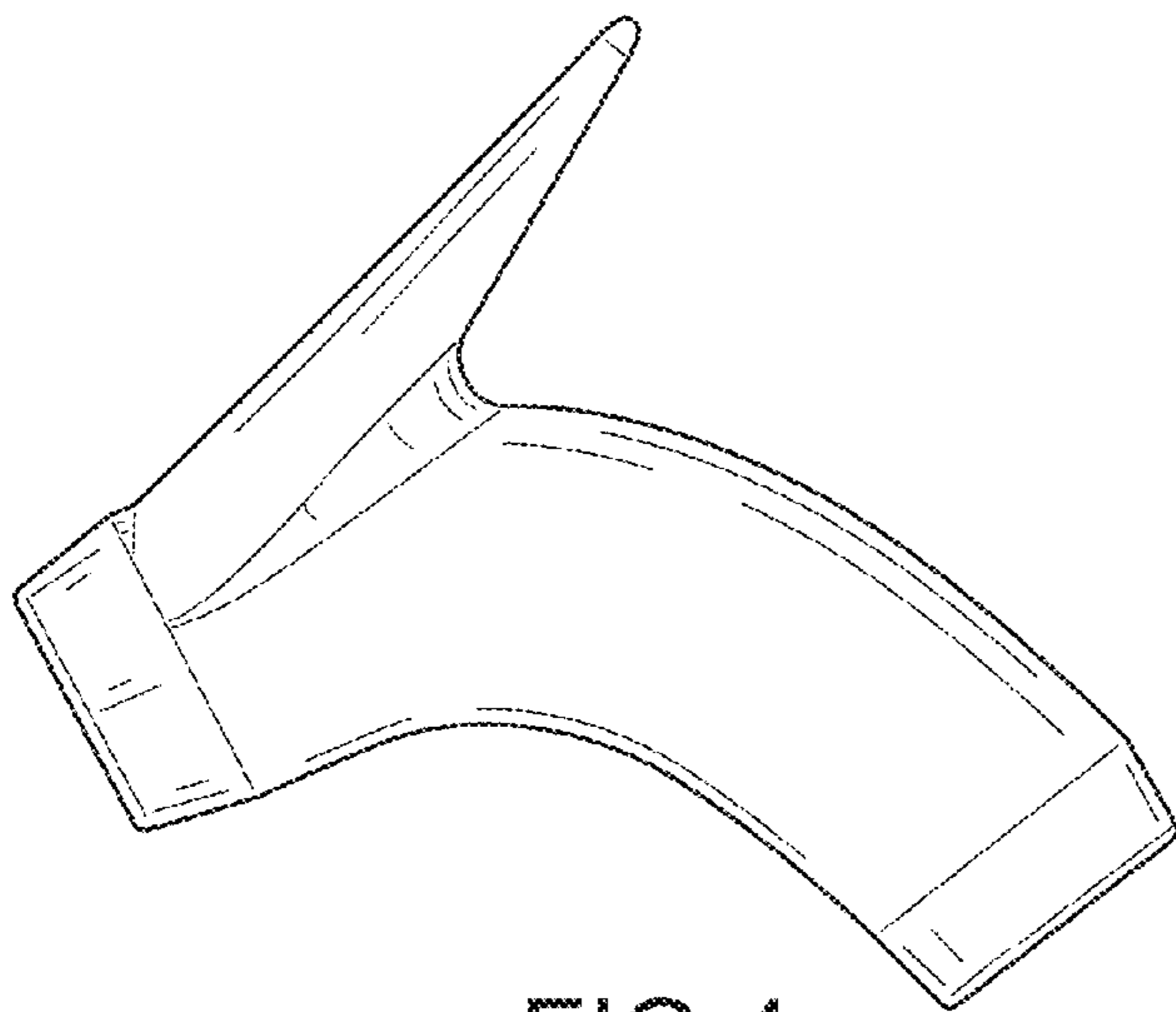


FIG.4

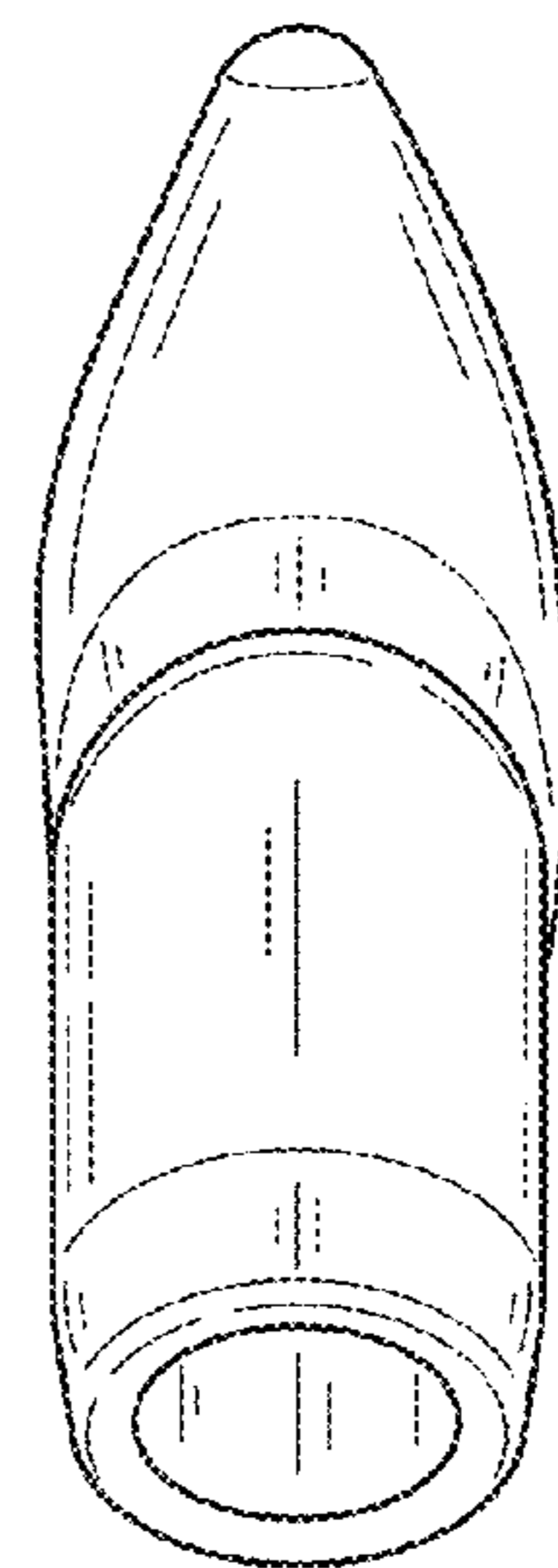


FIG.5

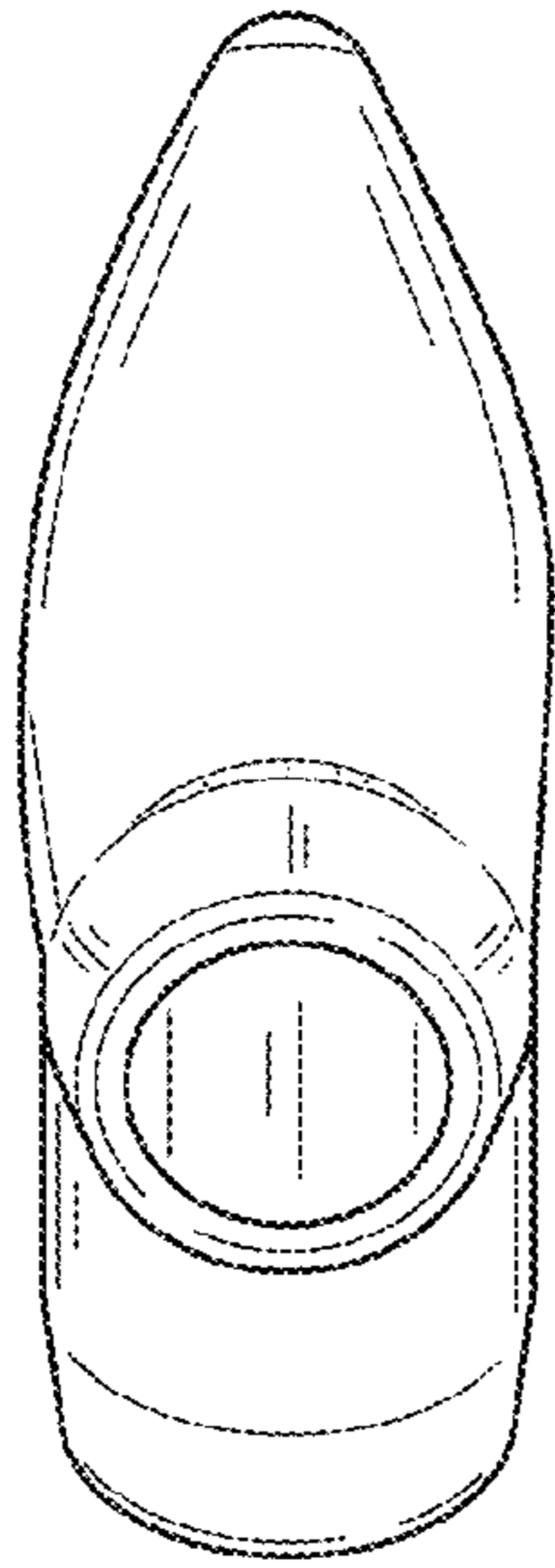


FIG. 6

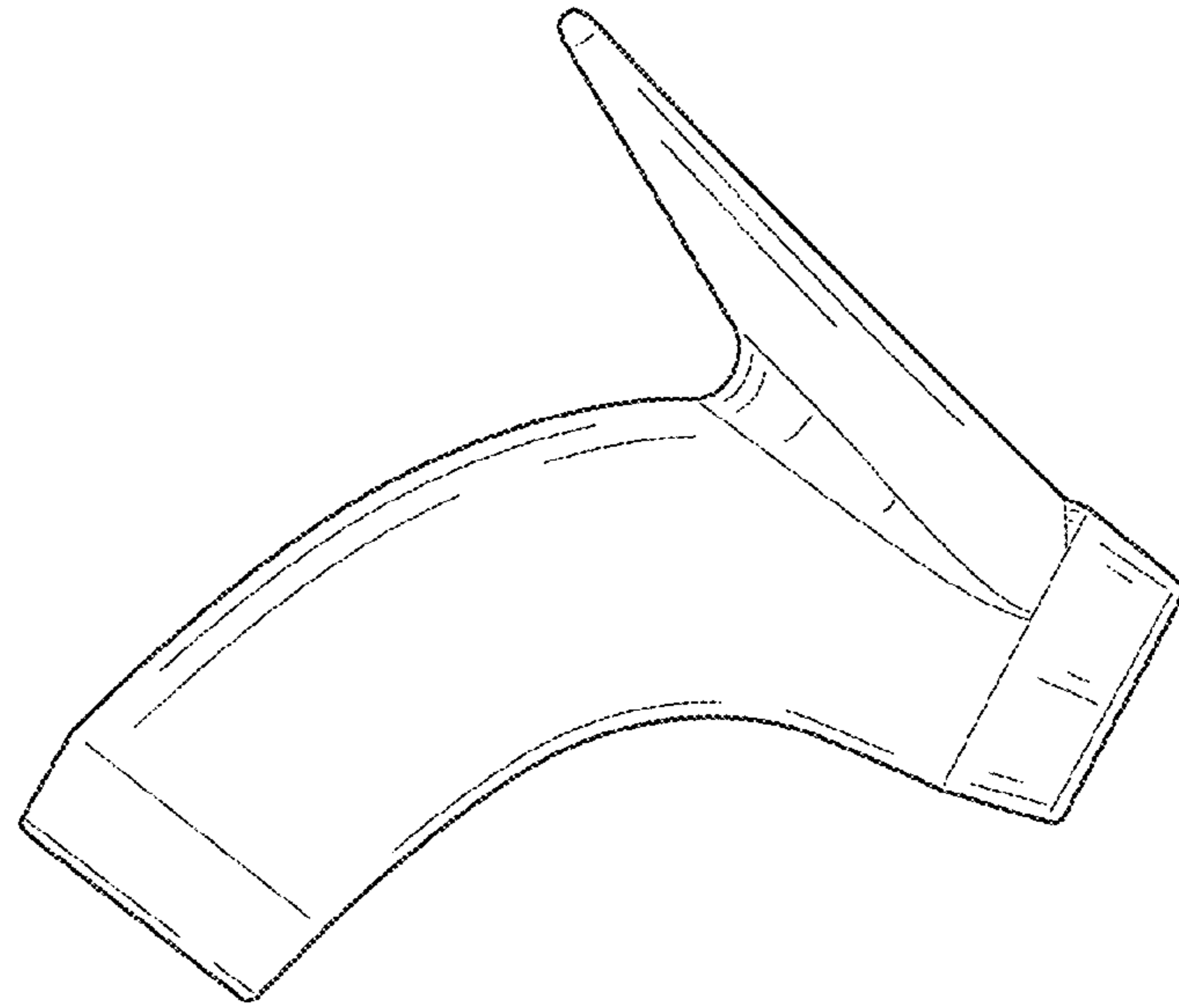


FIG. 7

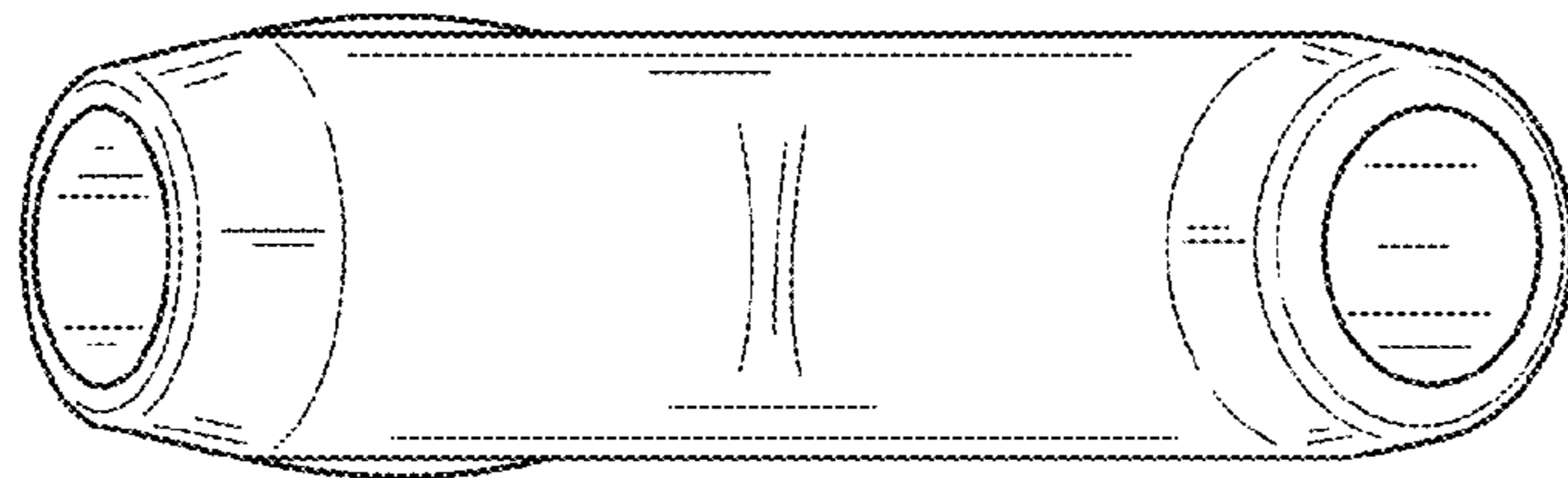


FIG. 8