



US00D750192S

(12) **United States Design Patent**
Silvers et al.

(10) **Patent No.:** **US D750,192 S**
(45) **Date of Patent:** **** Feb. 23, 2016**

(54) **PORTION OF A FIREARM HANDGUARD**

FOREIGN PATENT DOCUMENTS

(71) Applicant: **RA Brands, L.L.C.**, Madison, NC (US)

CA 117291 1/2008

(72) Inventors: **Robert Silvers**, Marshfield, MA (US);
Eric C. Burt, Boulder, CO (US)

OTHER PUBLICATIONS

Barry, Max; NationStates; Awac States Log; 12 pages; Mar. 8, 2013;
[http://forum.nationstates.net/viewtopic.php?f=23&t=72464](http://forum.nationstates.net/viewtopic.php?f=23&t=72464&start=0)
&start=0.

(73) Assignee: **RA Brands, L.L.C.**, Madison, NC (US)

(Continued)

(**) Term: **14 Years**

Primary Examiner — Michael A Pratt

(21) Appl. No.: **29/491,921**

(74) *Attorney, Agent, or Firm* — Womble Carlyle Sand-
ridge & Rice, LLP

(22) Filed: **Jun. 3, 2014**

(57) **CLAIM**

The ornamental design for a portion of a firearm handguard,
as shown and described.

Related U.S. Application Data

DESCRIPTION

(62) Division of application No. 29/443,029, filed on Jan.
11, 2013, now Pat. No. Des. 715,885.

(51) **LOC (10) Cl.** **22-01**

(52) **U.S. Cl.**

USPC **D22/108**

(58) **Field of Classification Search**

USPC D22/103, 108; D21/572-575; 89/40.06,
89/41.19, 37.04, 33.04, 191.01, 200-204;
124/67, 66, 72, 74; 42/71.01

CPC F41C 23/10; F41C 23/14; F41C 23/16;
F41C 23/18

See application file for complete search history.

FIG. 1 is a front, left, top perspective view of a portion of a
firearm handguard in accordance with a first embodiment of
the present invention;

FIG. 2 is a left elevation view of the portion of the firearm
handguard of FIG. 1;

FIG. 3 is a left elevation view of the portion of the firearm
handguard of FIG. 1;

FIG. 4 is a front, left, top perspective view of a portion of a
firearm handguard in accordance with a second embodiment
of the present invention;

FIG. 5 is a rear, left, top perspective view of the portion of the
firearm handguard of FIG. 4;

FIG. 6 a left elevation view of the portion of the firearm
handguard of FIG. 4; and,

FIG. 7 is a left elevation view of the portion of the firearm
handguard of FIG. 4.

The broken lines shown herein are for illustrative purposes
and form no part of the claimed design. In FIGS. 1 through 7,
the broken lines in the form of an alternating series of rela-
tively short dashes and relatively long dashes represent the
bounds of the claimed design.

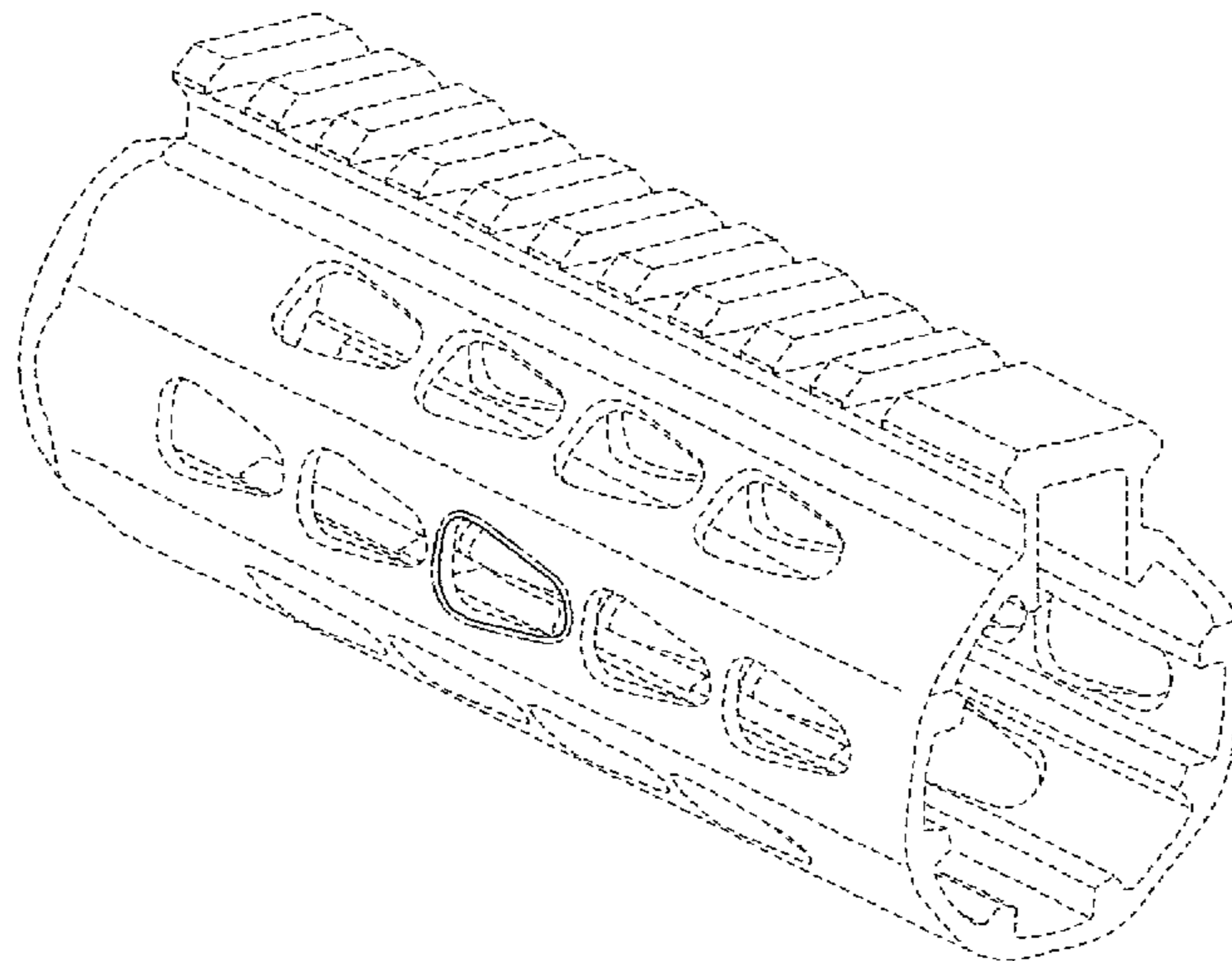
(56) **References Cited**

U.S. PATENT DOCUMENTS

2,102,964 A	12/1937	Mossberg
3,827,172 A	8/1974	Howe
D300,161 S	3/1989	Baldus et al.
4,845,871 A	7/1989	Swan
5,590,484 A	1/1997	Mooney et al.
5,826,363 A	10/1998	Olson
6,490,822 B1	12/2002	Swan

(Continued)

1 Claim, 6 Drawing Sheets



(56)

References Cited

U.S. PATENT DOCUMENTS

D477,855 S 7/2003 Selvaggio
 6,655,069 B2 12/2003 Kim
 6,694,660 B1 2/2004 Davies
 6,839,998 B1 1/2005 Armstrong
 6,860,053 B2 3/2005 Christiansen
 7,131,228 B2 11/2006 Hochstrate et al.
 D537,901 S 3/2007 Elkaim
 D544,063 S 6/2007 Swan
 RE40,216 E 4/2008 Swan
 D590,473 S 4/2009 Fitzpatrick et al.
 D604,793 S 11/2009 Fitzpatrick et al.
 D606,614 S 12/2009 Fitzpatrick et al.
 D607,958 S 1/2010 Swan
 7,669,359 B2 3/2010 Kim
 D613,810 S 4/2010 Gulledege
 D613,811 S 4/2010 Swan
 D616,521 S 5/2010 Starnes
 7,716,865 B2 5/2010 Daniel et al.
 7,770,317 B1 8/2010 Tankersley
 7,798,045 B1 9/2010 Fitzpatrick et al.
 7,908,784 B2 3/2011 Kim
 7,941,959 B1 5/2011 Swan
 D641,450 S 7/2011 Ding
 D641,825 S 7/2011 Gridelet
 7,975,595 B2 7/2011 Robinson et al.
 8,091,265 B1 1/2012 Teetzel et al.
 8,141,285 B2 3/2012 Brown
 8,191,300 B2 6/2012 Daniel
 8,201,353 B1 6/2012 Swan
 8,276,304 B2 10/2012 Samson et al.

D670,783 S 11/2012 Barrett
 8,336,243 B2 12/2012 Langevin et al.
 8,453,364 B2 6/2013 Kucynko
 D715,885 S 10/2014 Silvers et al.
 D721,407 S * 1/2015 Chu D21/574
 2005/0268513 A1 12/2005 Battaglia
 2006/0048424 A1 3/2006 Weir
 2006/0236582 A1 10/2006 Lewis et al.
 2006/0277810 A1 12/2006 Leitner-Wise
 2007/0266611 A1 11/2007 Stover
 2011/0107643 A1 5/2011 Fitzpatrick et al.
 2011/0126443 A1 6/2011 Sirois
 2011/0192066 A1 8/2011 Kimmel et al.
 2012/0111183 A1 5/2012 Hochstrate et al.
 2012/0159828 A1 6/2012 Jarboe et al.
 2012/0167434 A1 7/2012 Masters
 2013/0276341 A1 10/2013 Wells et al.

OTHER PUBLICATIONS

Sales Accessories, accessed Oct. 2, 2012, <http://home.comcast.net/~gunrunner1/add.htm>.
 Color Image; Firearm carbine ACR 8 ss; 1 page; Mar. 8, 2013; http://homefront.wikia.com/wiki/File:Firearm_carbine_ACR_8_ss.jpg.
 Leapers H&K Handguard Picatinny / Weaver Rails MNT-P501 Product Info, accessed Oct. 2, 2012, <http://www.opticsplanet.com/leapers-h-k-handguard-picatinny-weaver-rails-mnt-p501.ht>.
 Zimba, Jeff W.; Another Tactical Upgrade from MGI Military: The QCB Upper Receiver for the AR-15/M16/M4; The Small Arms Review, vol. 8 No. 3; pp. 37-40; Dec. 2004.

* cited by examiner

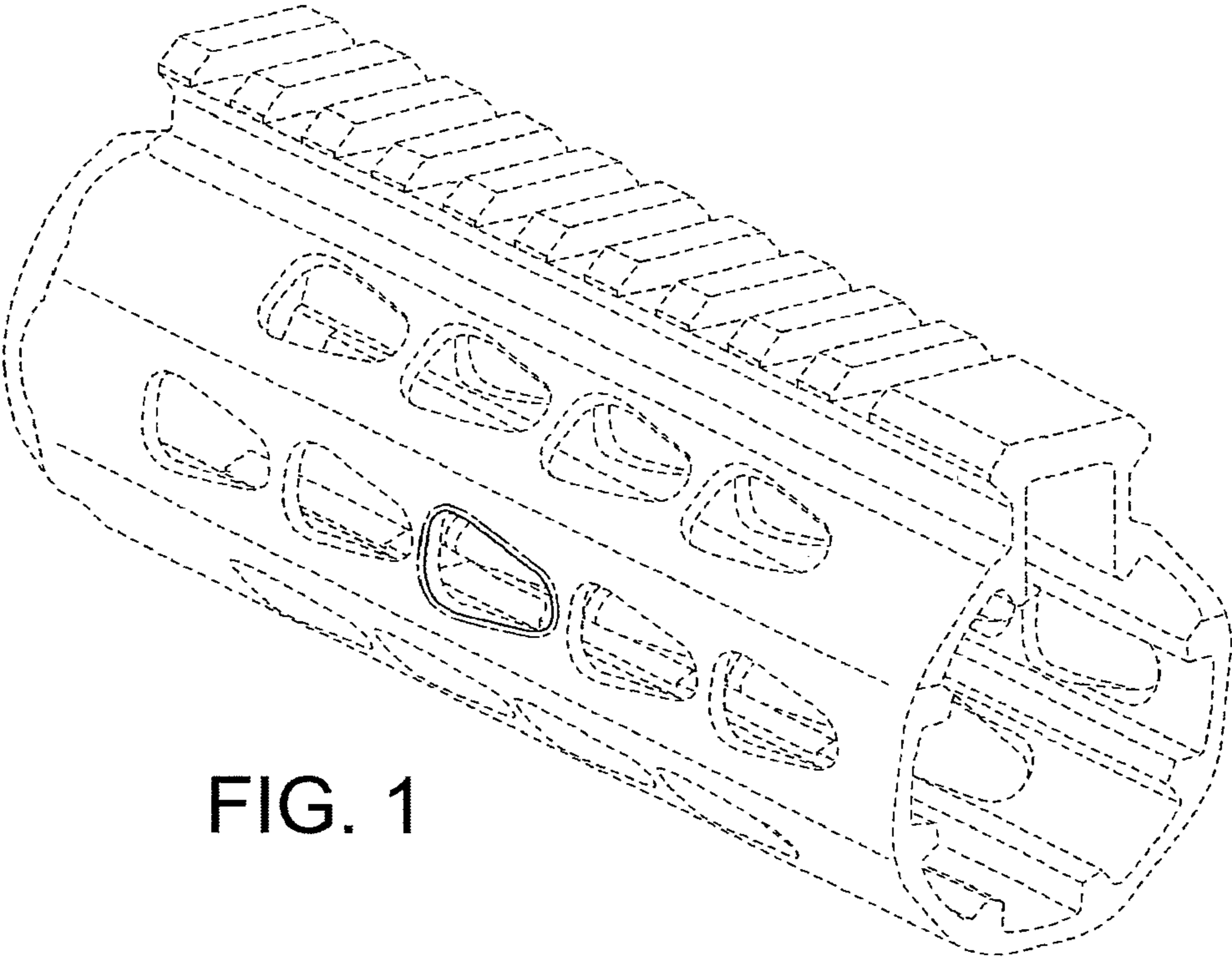


FIG. 1

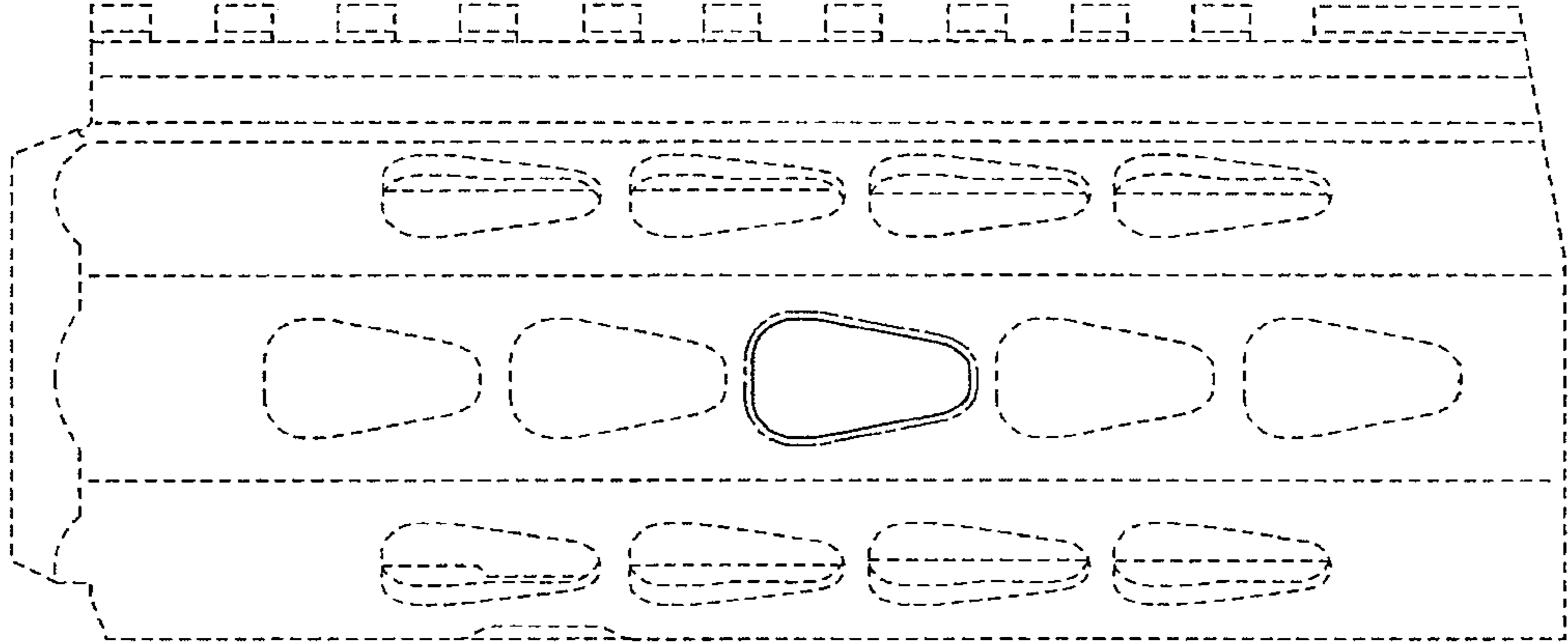


FIG. 2

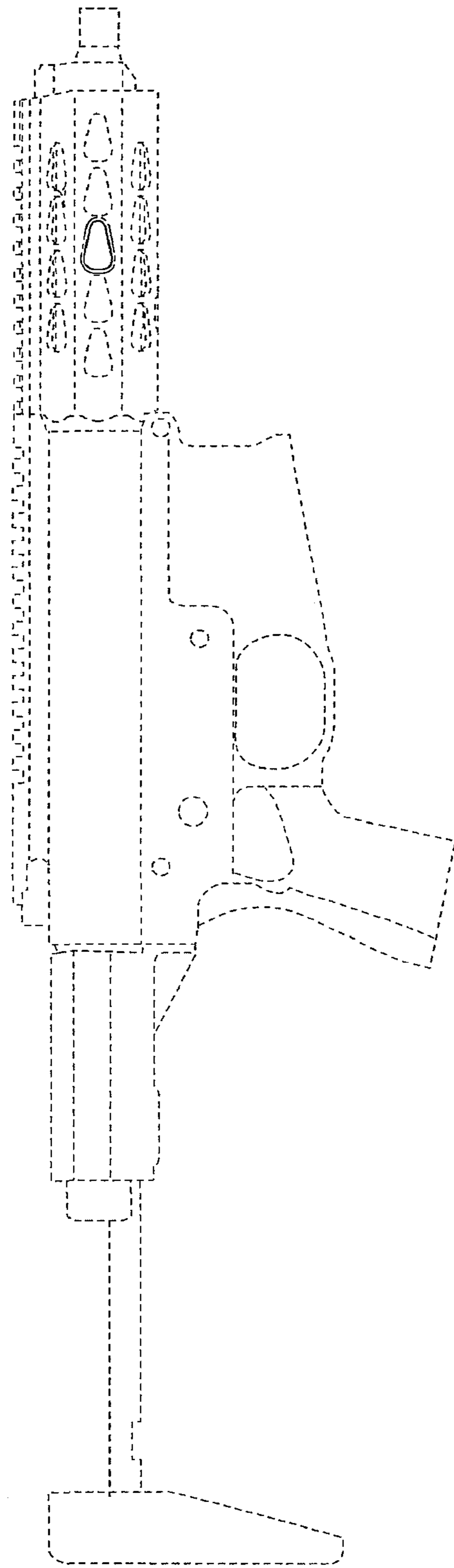


FIG. 3

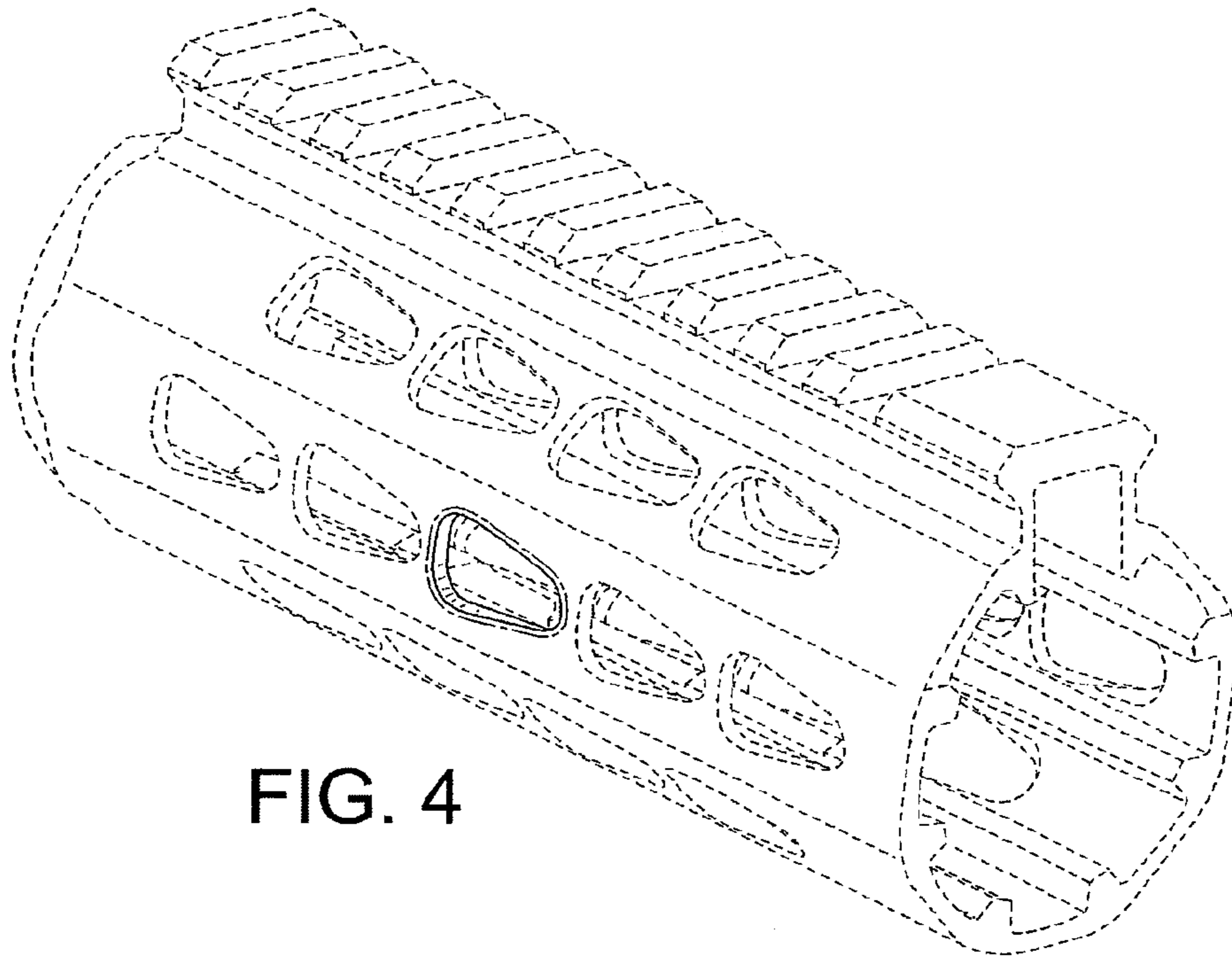


FIG. 4

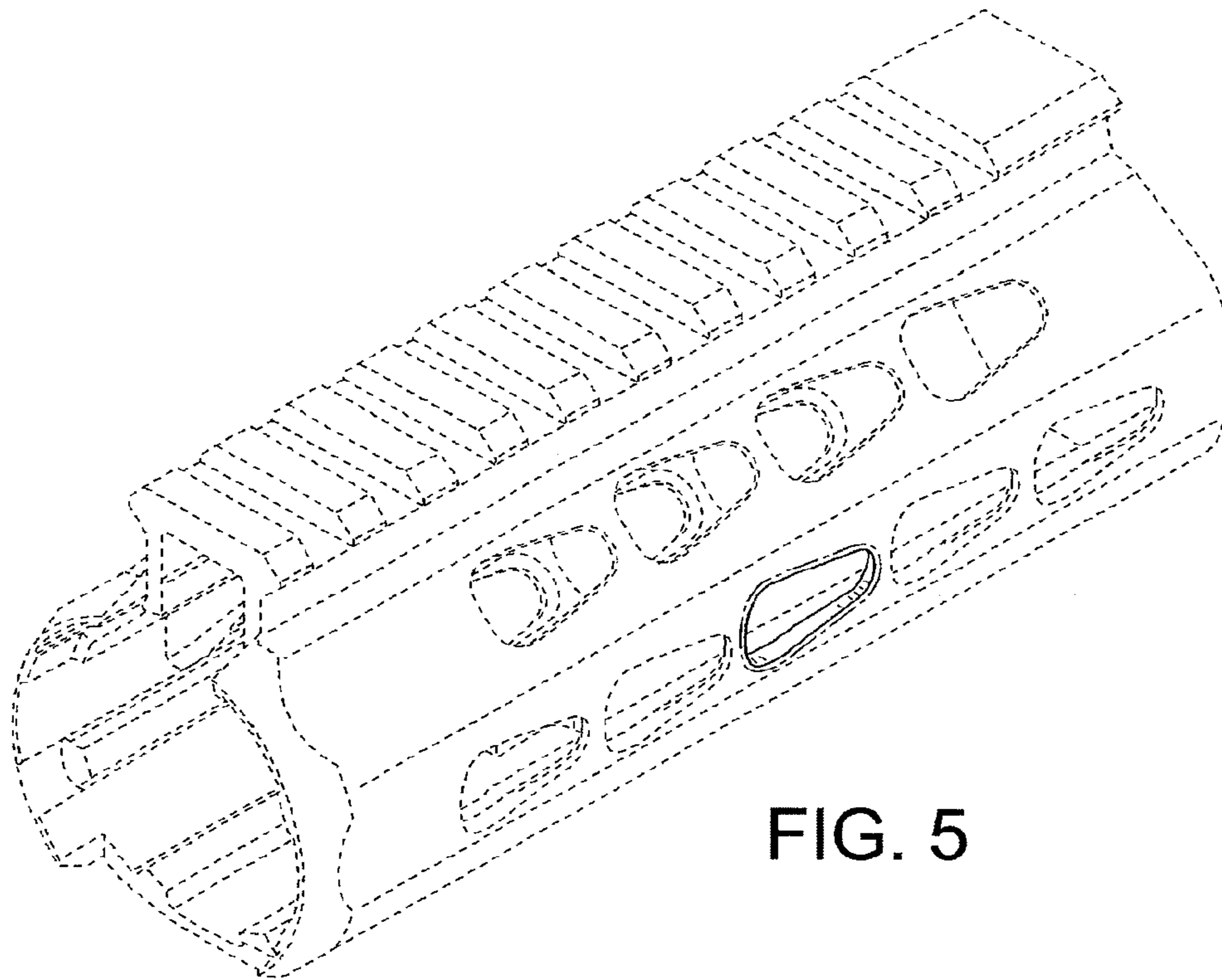


FIG. 5

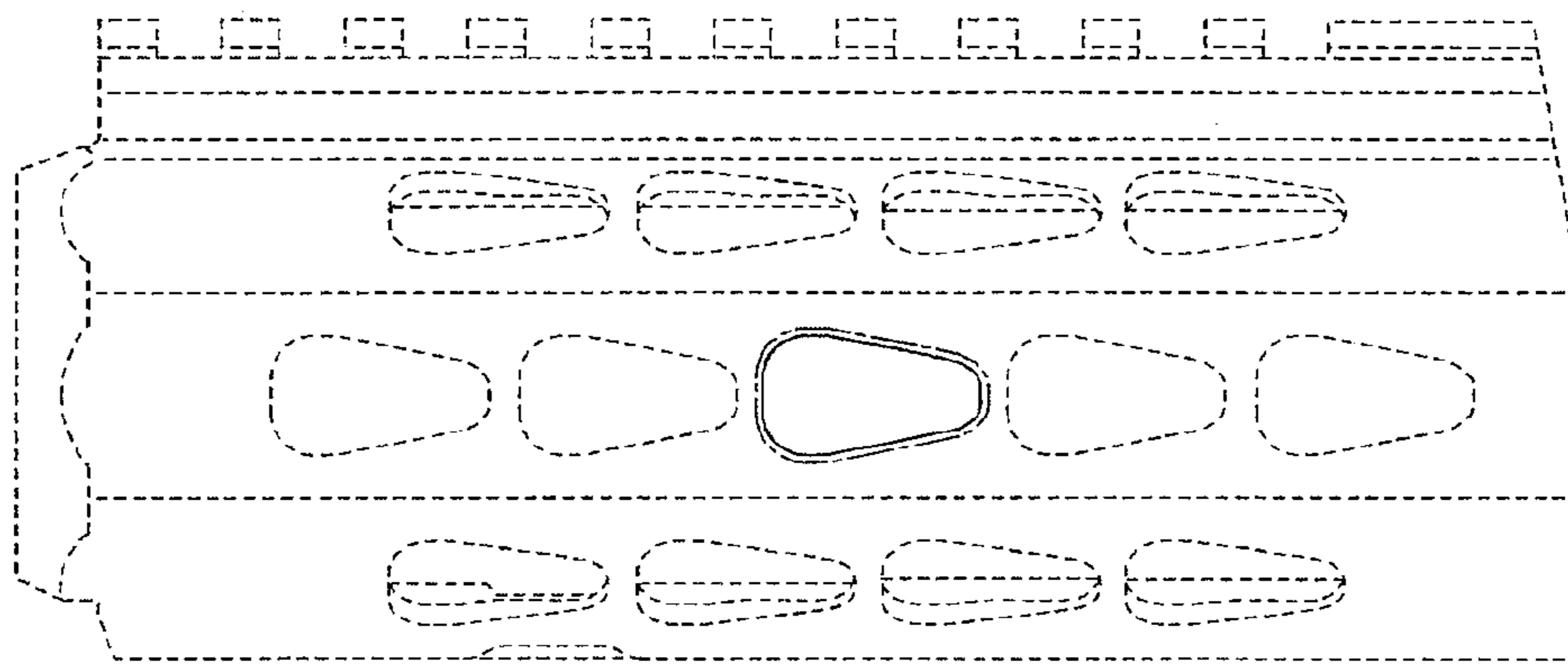


FIG. 6

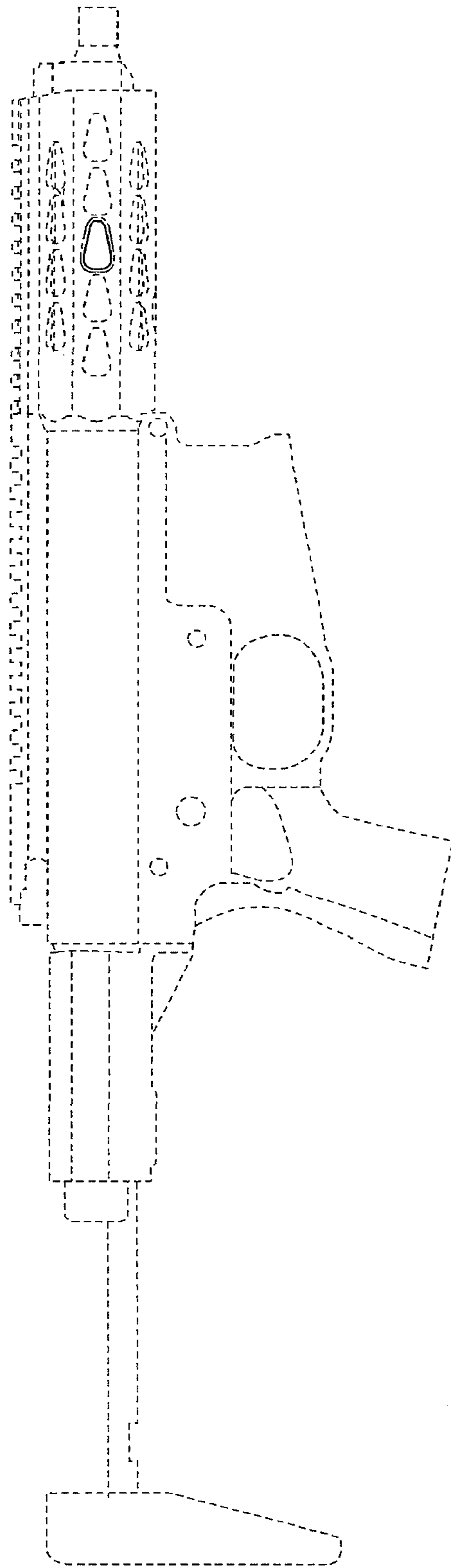


FIG. 7