



US00D750191S

(12) **United States Design Patent**
Pittman

(10) **Patent No.:** **US D750,191 S**

(45) **Date of Patent:** **** Feb. 23, 2016**

(54) **LIGHT BODY MOUNT**

(71) Applicant: **Impact Weapons Components, LLC,**
Timnath, CO (US)

(72) Inventor: **Earl L. Pittman,** Fort Collins, CO (US)

(73) Assignee: **Impact Weapons Components, LLC,**
Timnath, CO (US)

(**) Term: **14 Years**

(21) Appl. No.: **29/490,162**

(22) Filed: **May 7, 2014**

(51) **LOC (10) Cl.** **22-01**

(52) **U.S. Cl.**
USPC **D22/108**

(58) **Field of Classification Search**
USPC D22/108-109; D26/37, 46, 47, 48, 49;
362/157-158, 183, 184, 190, 194, 195,
362/196, 197, 202-208
CPC F41G 1/32; F41G 1/34; F41G 1/345;
F41G 1/35
See application file for complete search history.

(56) **References Cited**

U.S. PATENT DOCUMENTS

5,040,322	A *	8/1991	Iturrey, Jr.	42/146
7,134,234	B1 *	11/2006	Makarounis	42/146
7,395,627	B2 *	7/2008	La France et al.	42/114
7,441,364	B2 *	10/2008	Rogers et al.	42/146
8,220,946	B1 *	7/2012	Teetzel	362/110
8,656,625	B2 *	2/2014	Holmberg	42/90
8,671,610	B2 *	3/2014	Kincel	42/90
8,726,562	B1 *	5/2014	Hoskisson	42/135
D710,965	S *	8/2014	Eitan et al.	D22/108
D715,886	S *	10/2014	Pittman	D22/109
D724,687	S *	3/2015	Pittman	D22/108
2006/0026888	A1 *	2/2006	Cheng et al.	42/146

2009/0044439	A1 *	2/2009	Phillips et al.	42/72
2014/0123531	A1 *	5/2014	Hancosky	42/113
2014/0338522	A1 *	11/2014	Bellione	89/139

* cited by examiner

Primary Examiner — Michael A Pratt

(74) *Attorney, Agent, or Firm* — Cooley LLP

(57) **CLAIM**

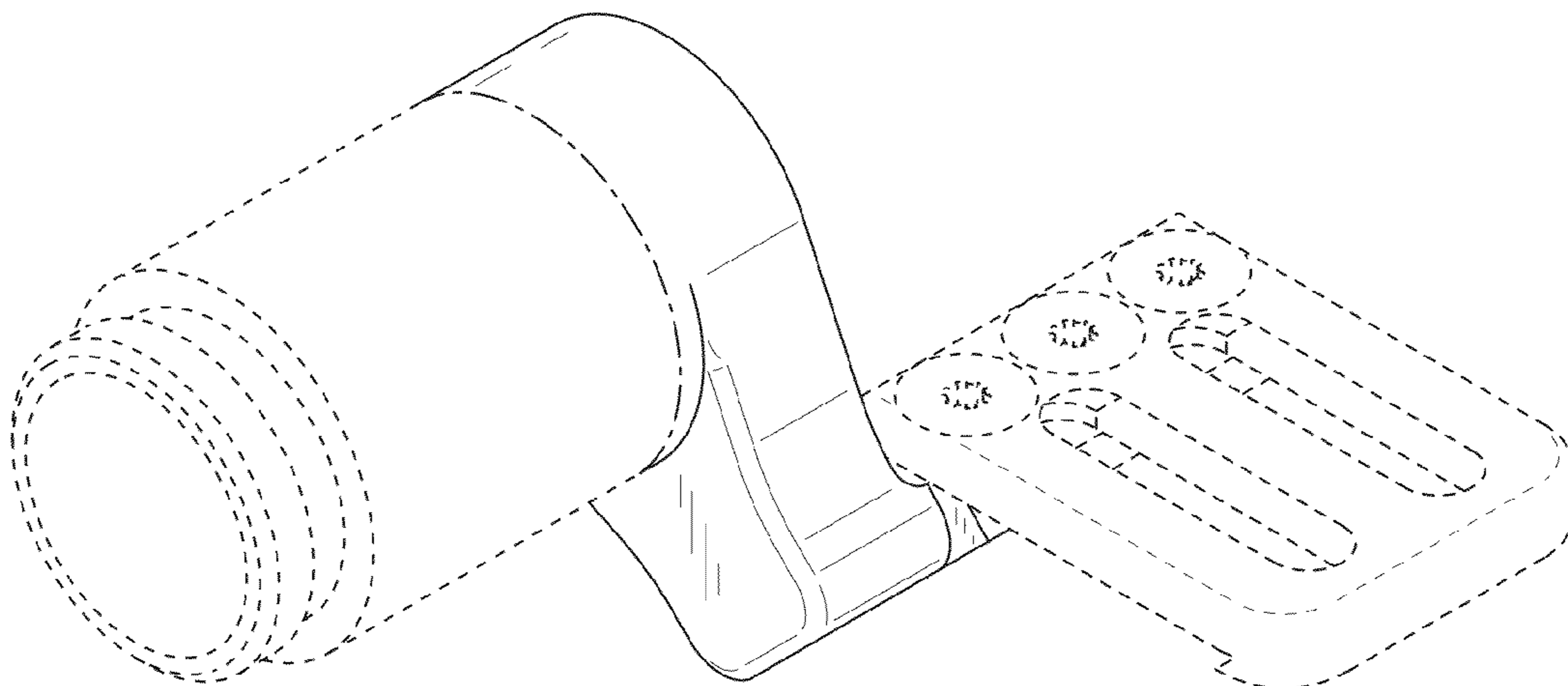
The ornamental design for a light body mount, as shown and described.

DESCRIPTION

FIG. 1 is a perspective view of a first embodiment of the light body mount;
 FIG. 2 is another perspective view of the first embodiment;
 FIG. 3 is a top view of the first embodiment;
 FIG. 4 is a bottom view of the first embodiment;
 FIG. 5 is a front view of the first embodiment;
 FIG. 6 is a back view of the first embodiment;
 FIG. 7 is a left side view of the first embodiment; and
 FIG. 8 is a right side view of the first embodiment;
 FIG. 9 is a perspective view of a second embodiment of the light body mount;
 FIG. 10 is another perspective view of the second embodiment;
 FIG. 11 is a top view of the second embodiment;
 FIG. 12 is a bottom view of the second embodiment;
 FIG. 13 E is a front view of the second embodiment;
 FIG. 14 is a back view of the second embodiment;
 FIG. 15 is a left side view of the second embodiment; and,
 FIG. 16 is a right side view of the second embodiment.

The broken lines immediately adjacent the shaded areas represent the bounds of the claimed design while all other broken lines are directed to environment and are for illustrative purposes only; the broken lines form no part of the claimed design.

1 Claim, 16 Drawing Sheets



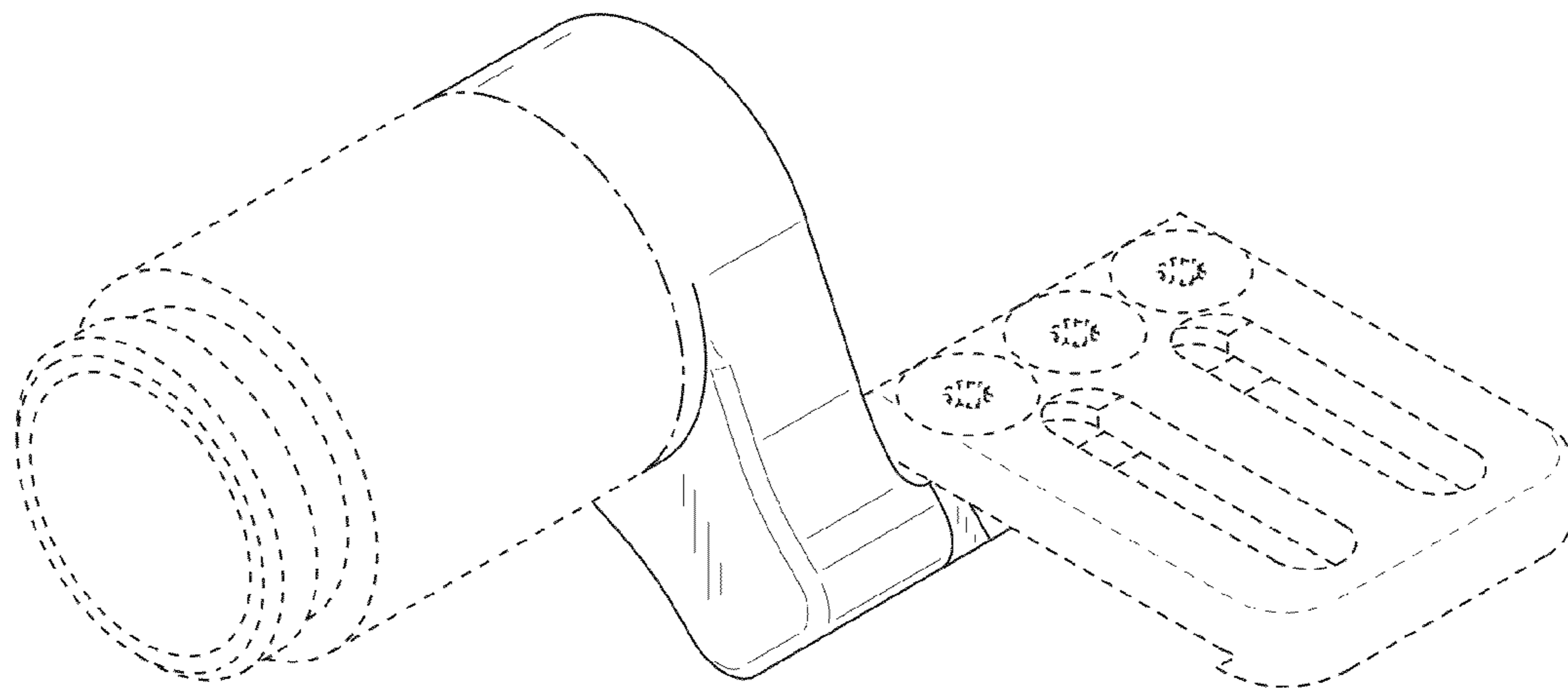


FIG. 1

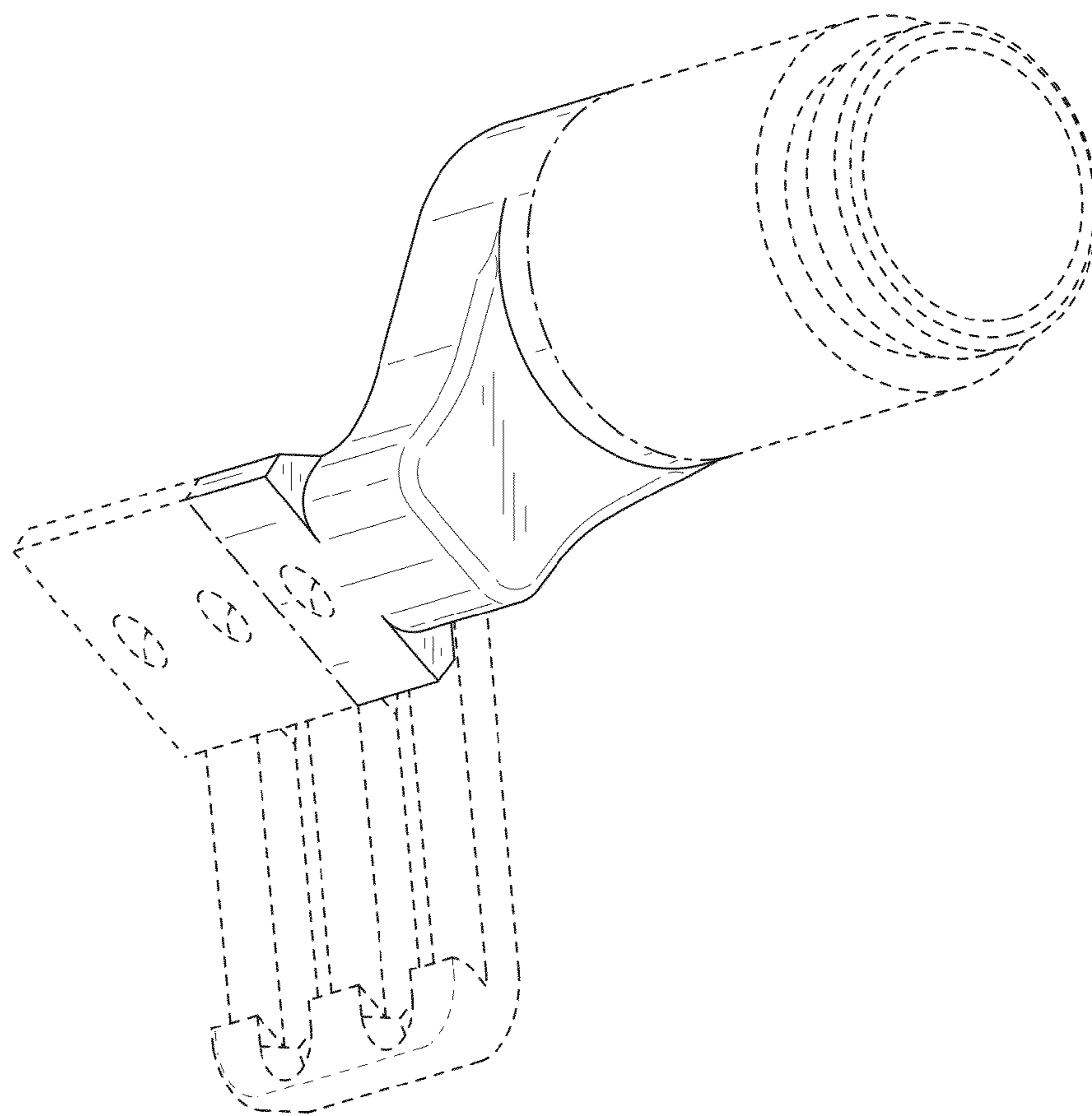


FIG. 2

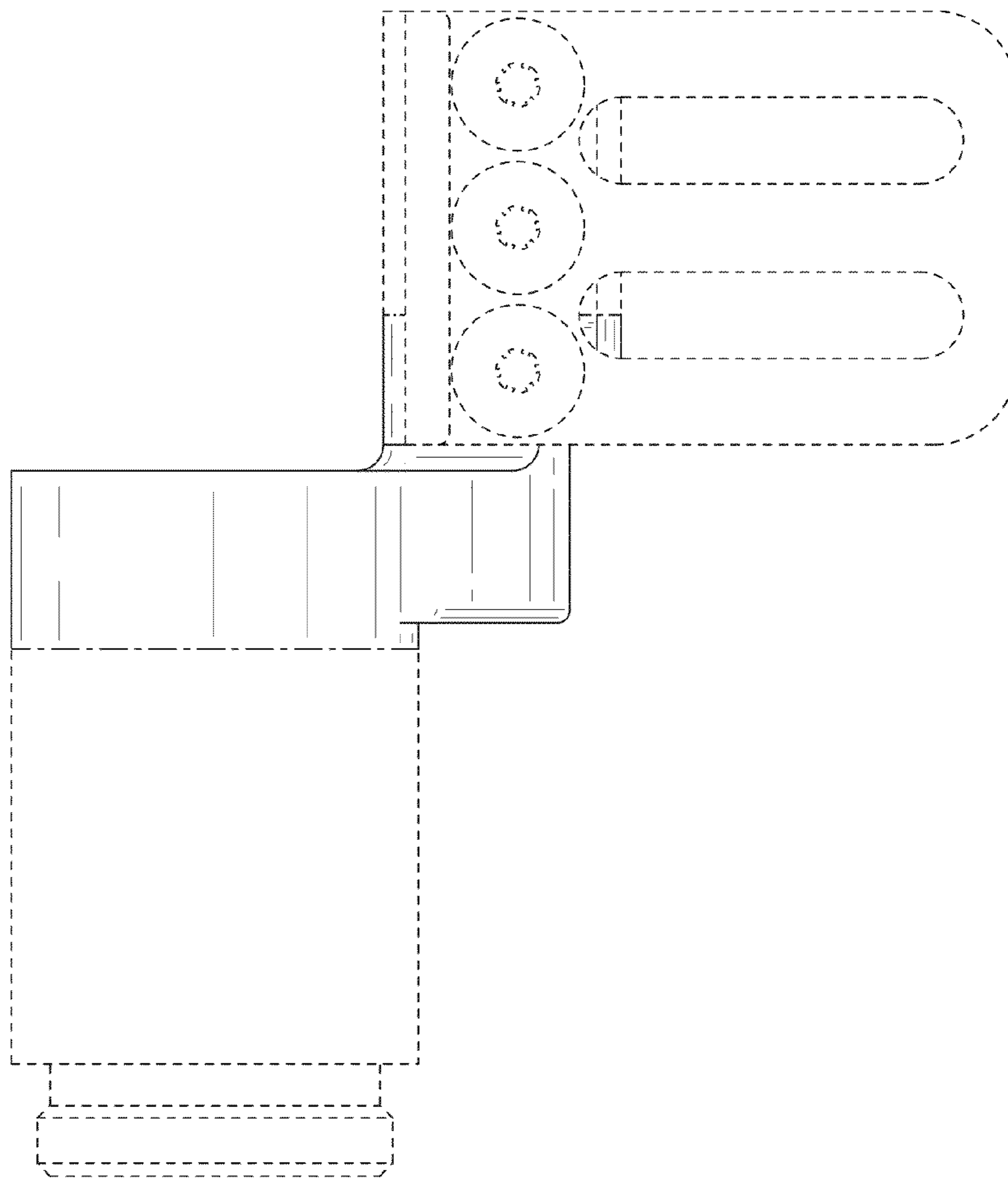


FIG. 3

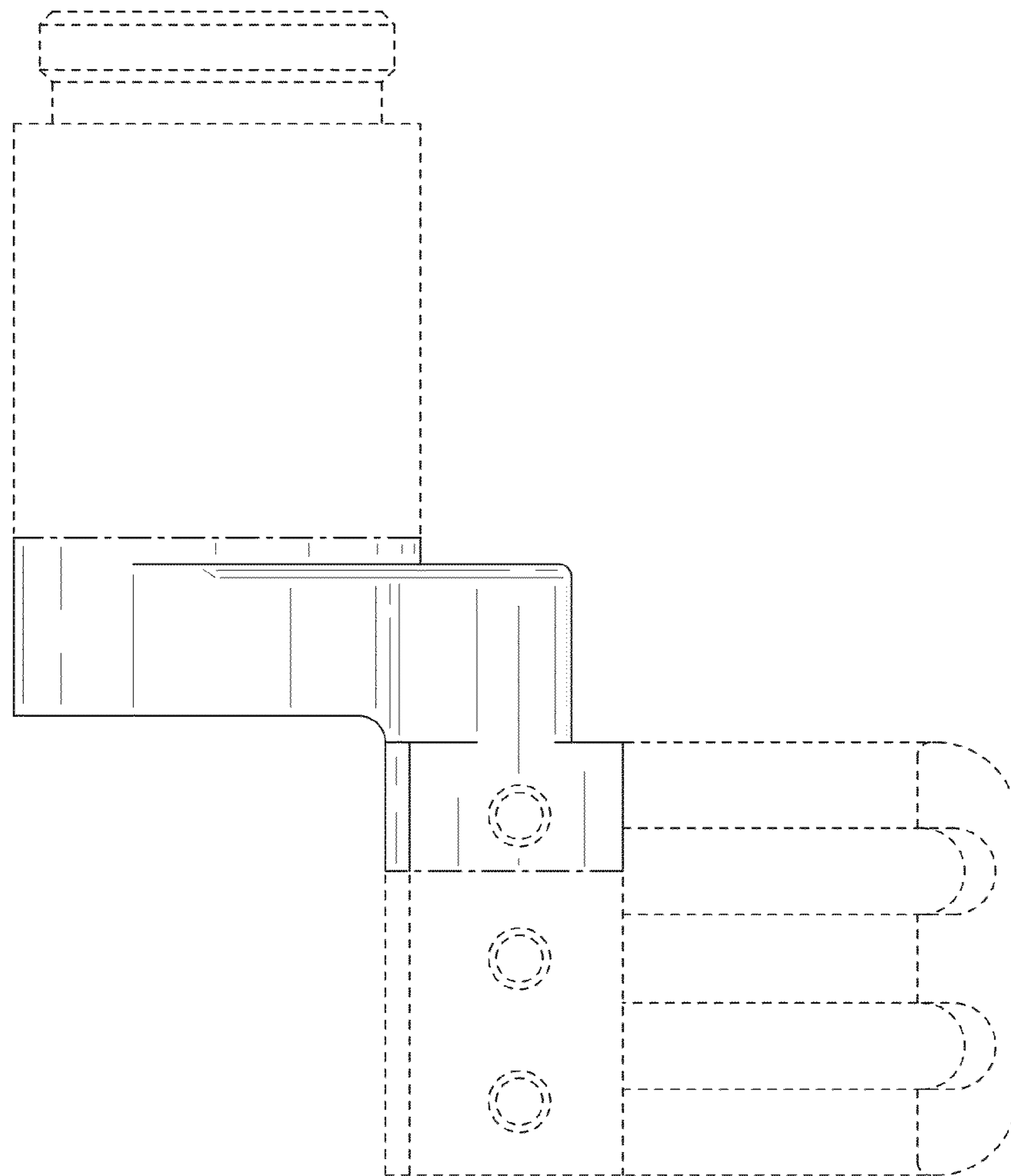


FIG. 4

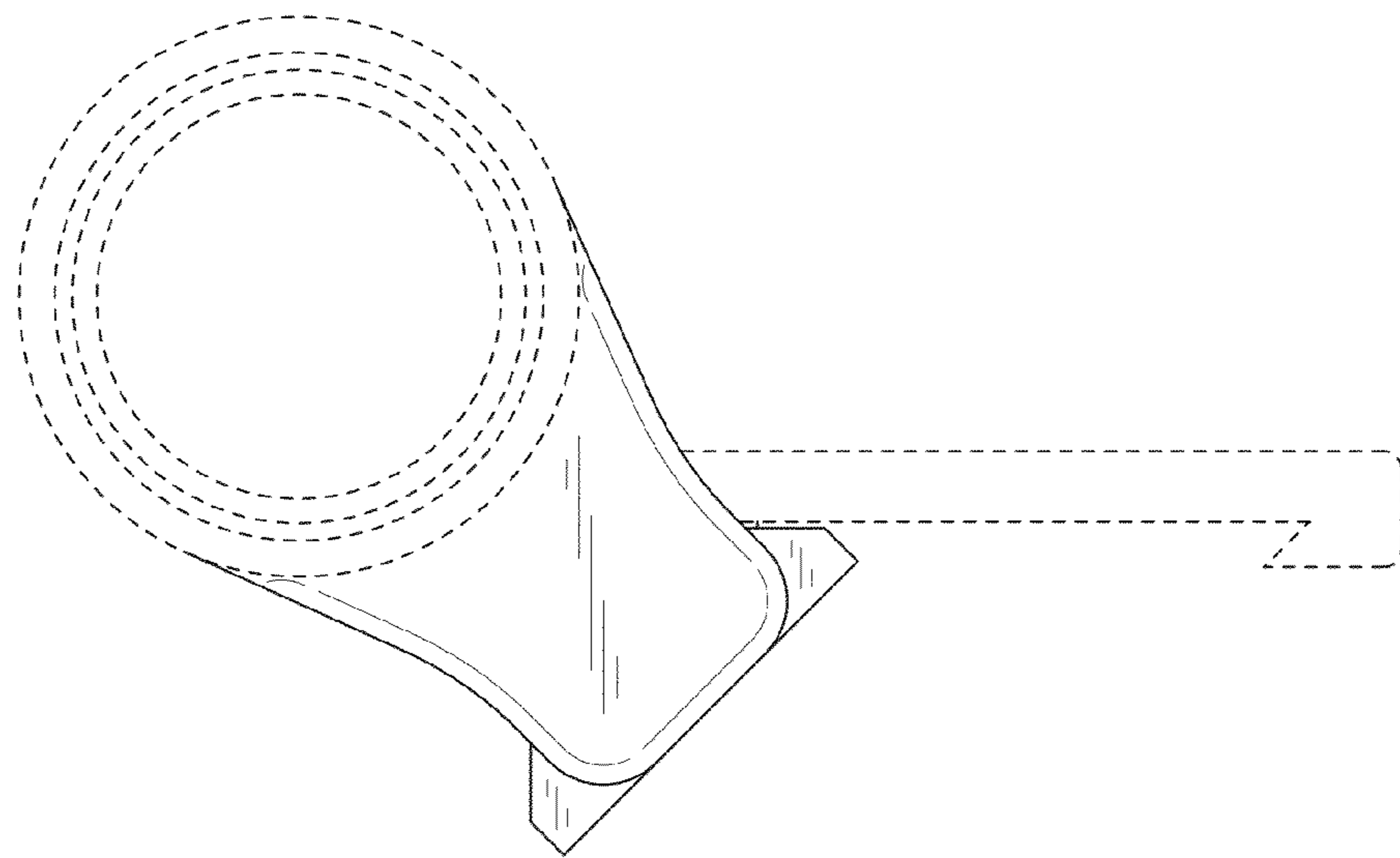


FIG. 5

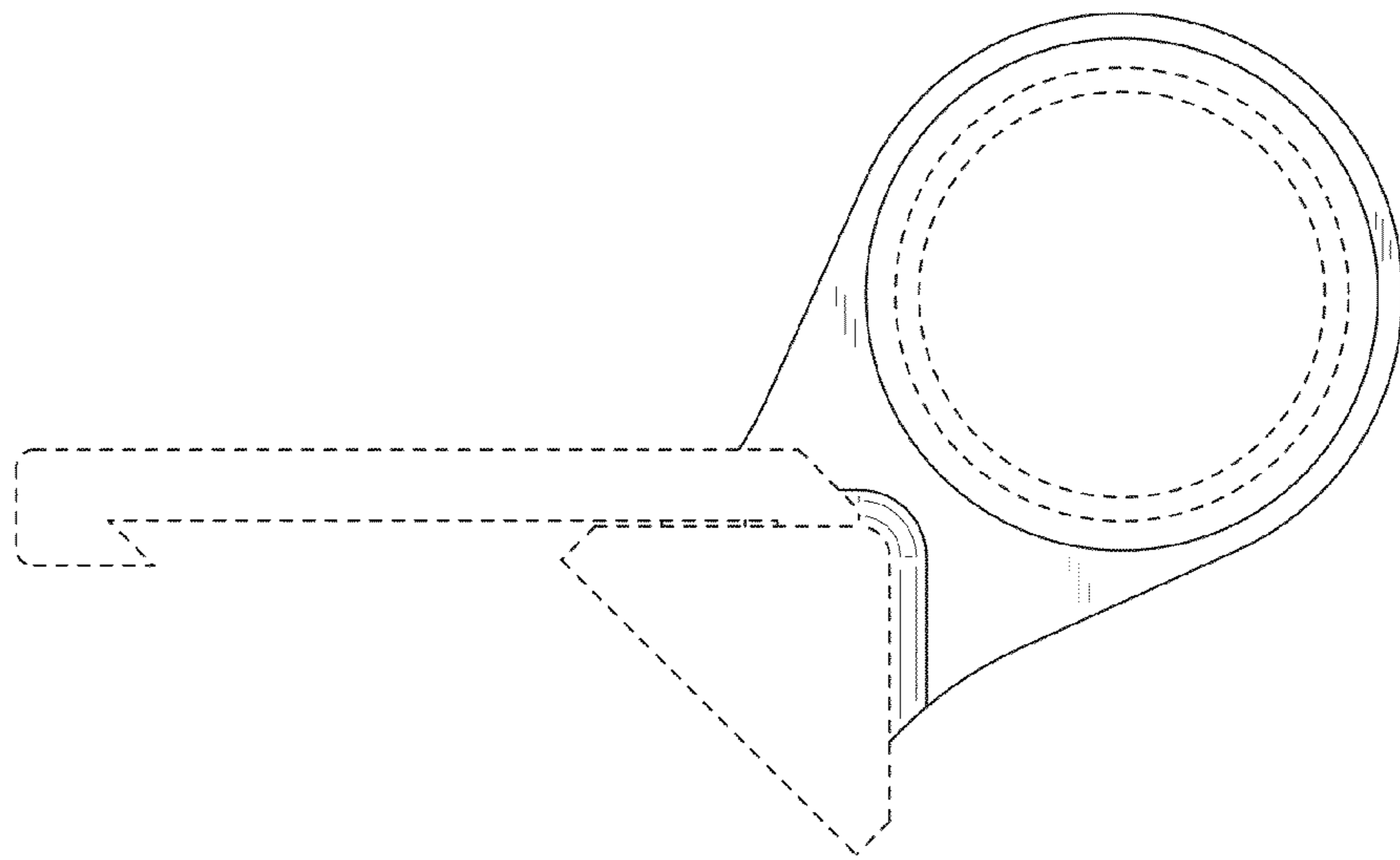


FIG. 6

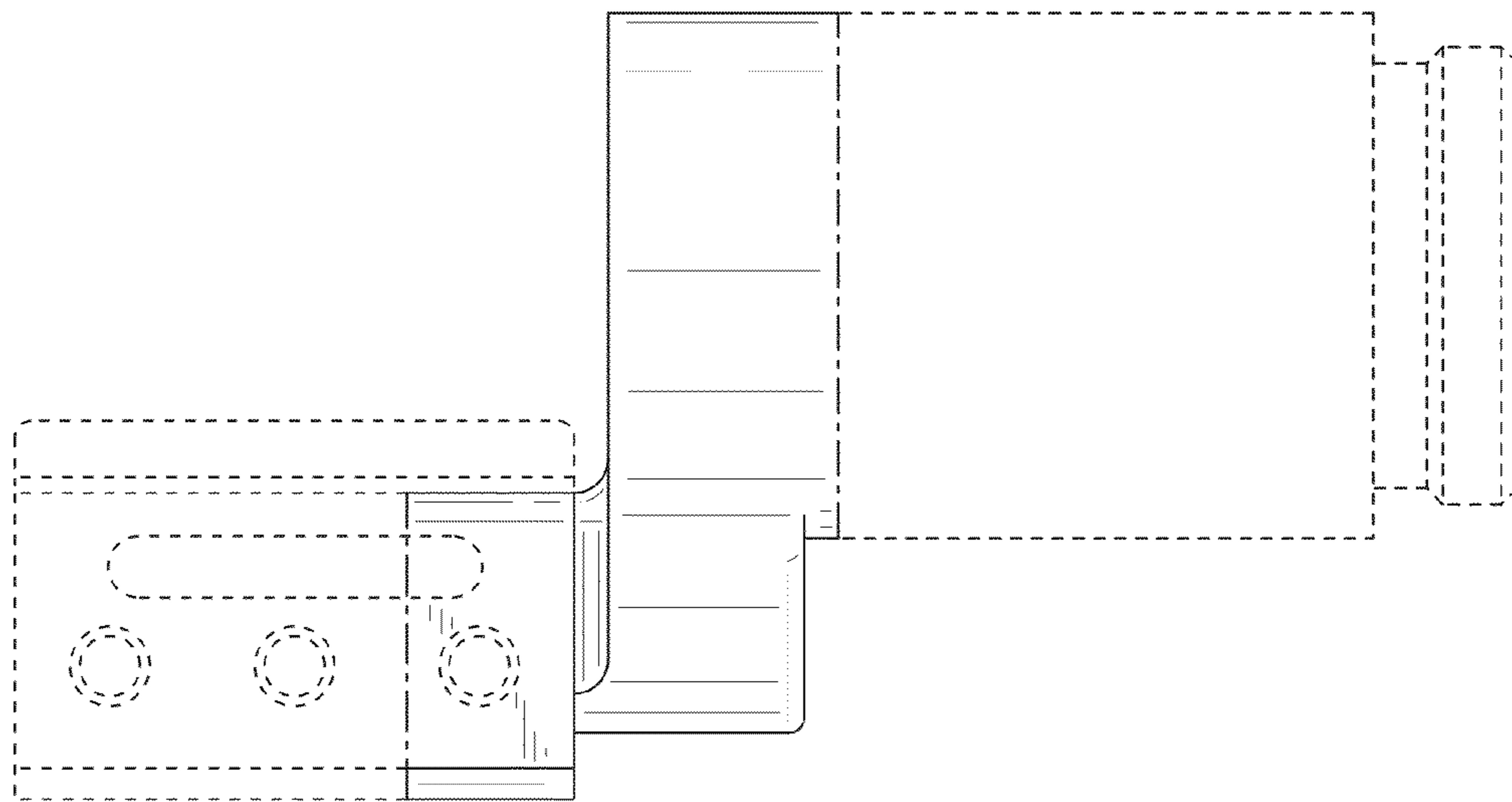


FIG. 7

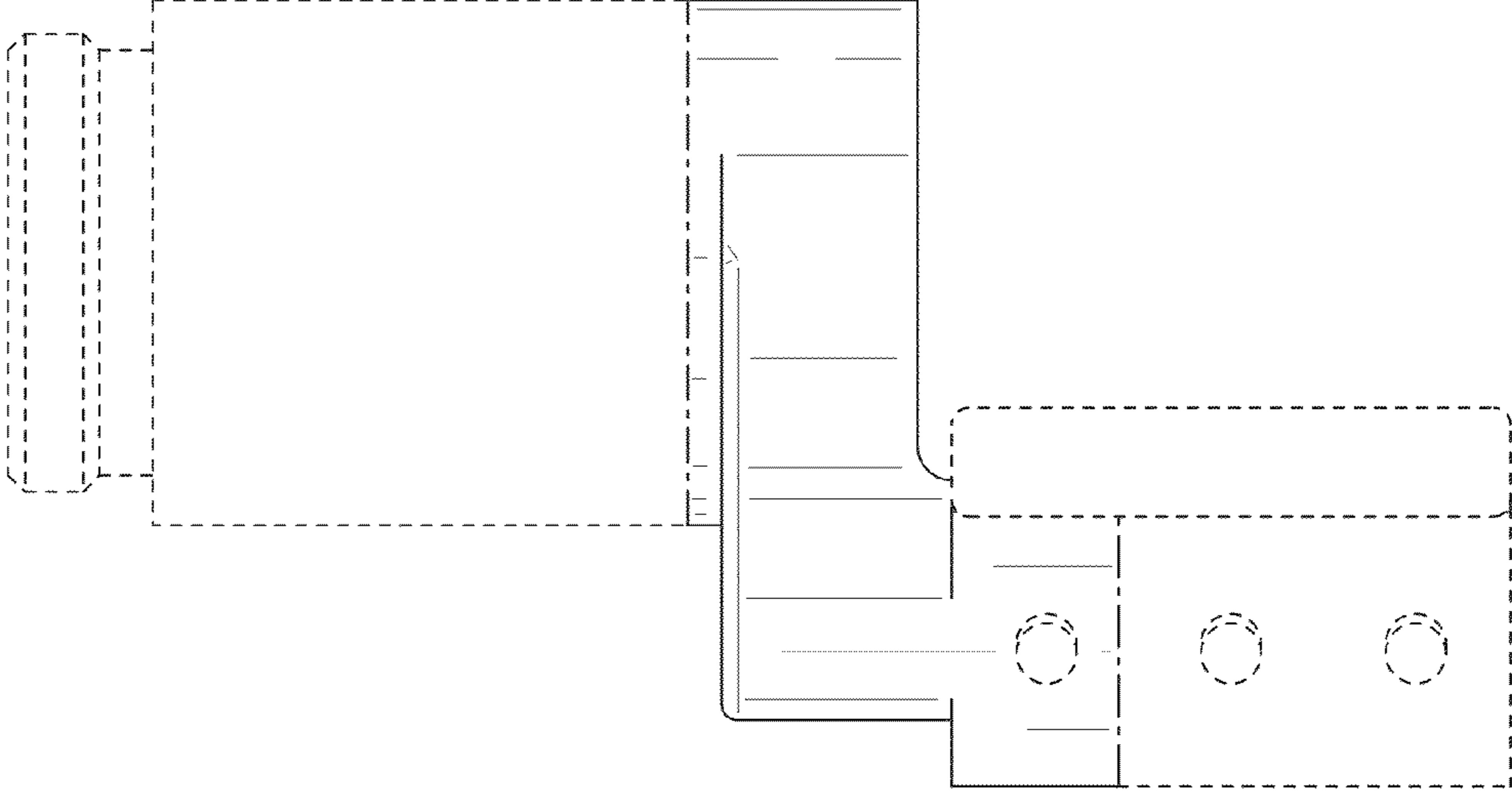


FIG. 8

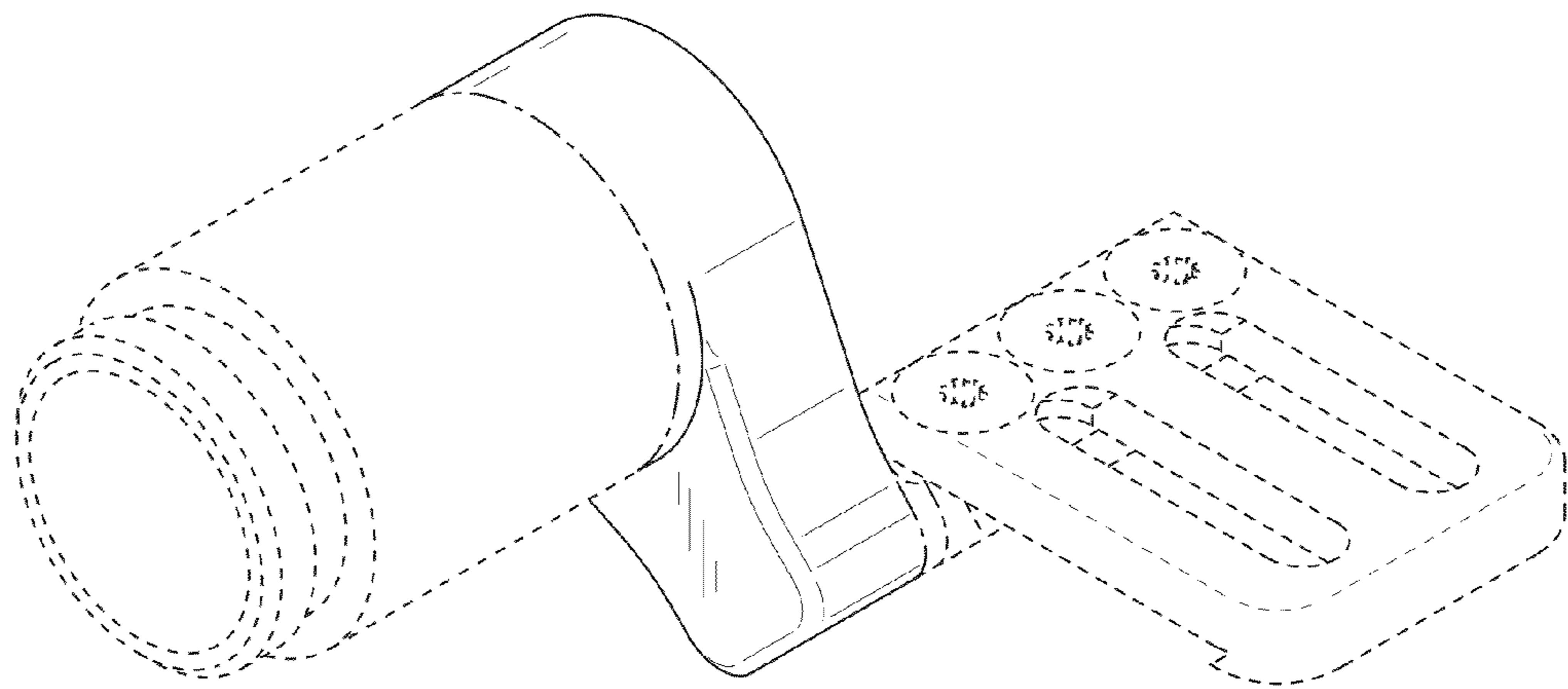


FIG. 9

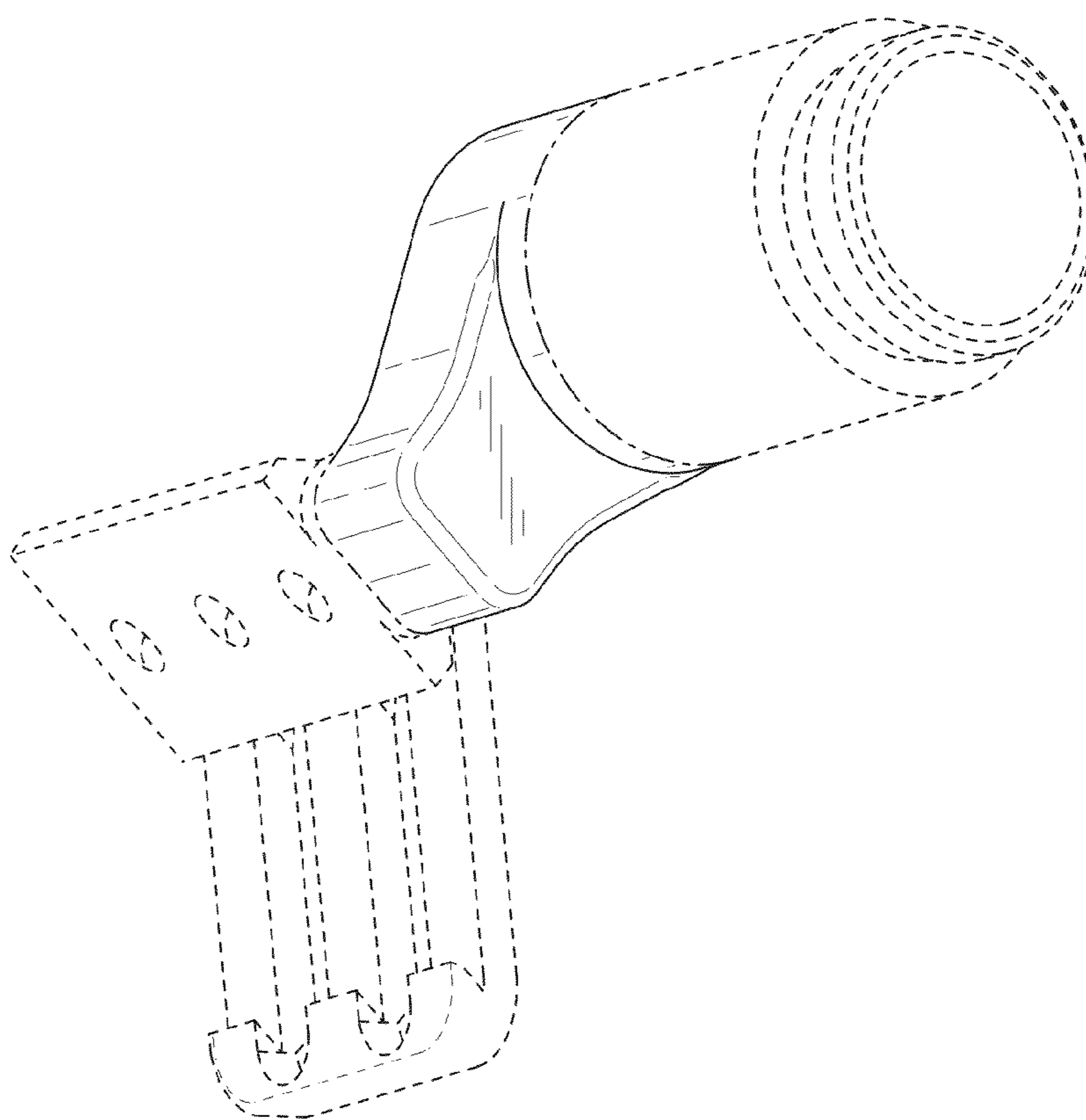


FIG. 10

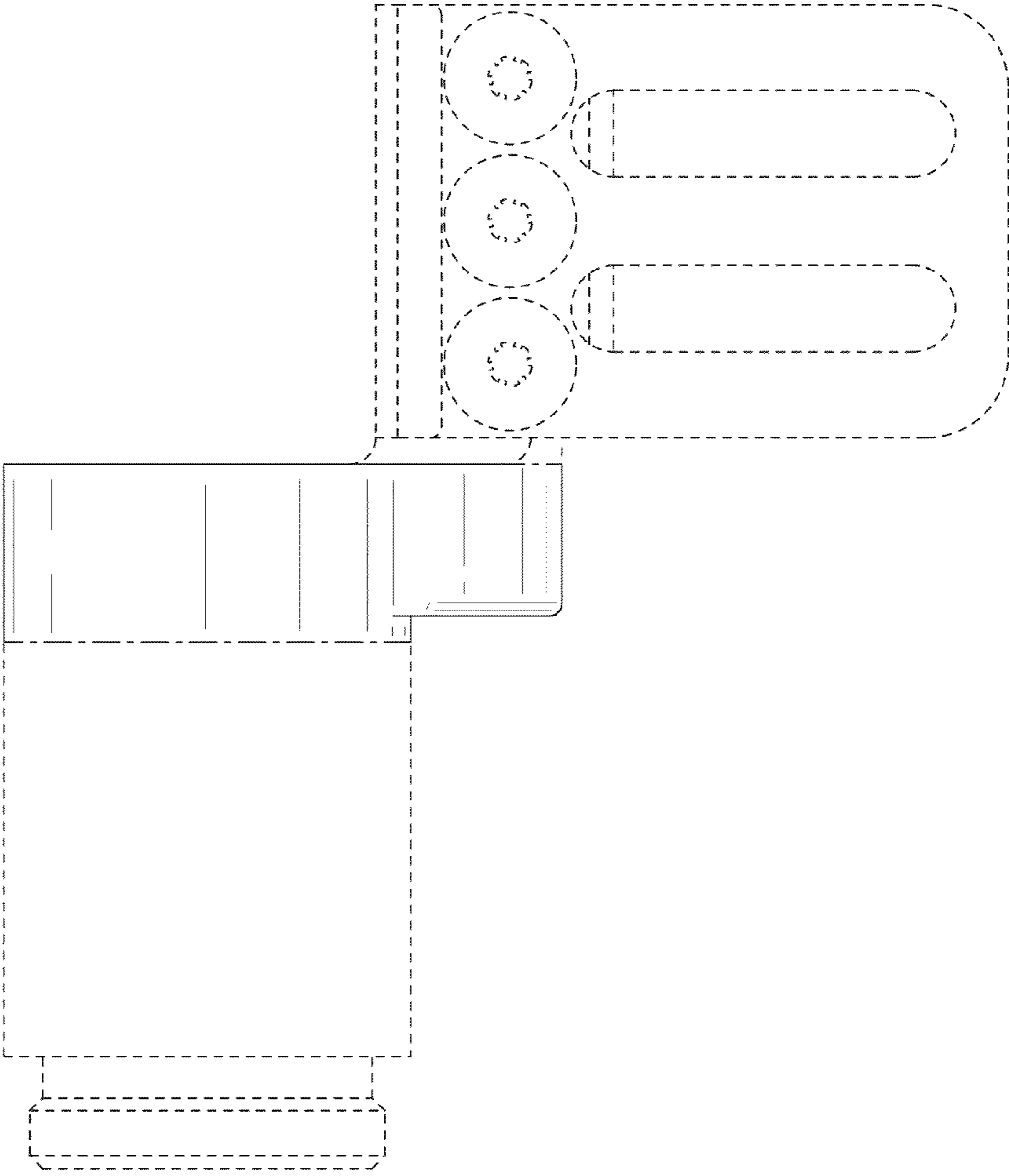


FIG. 11

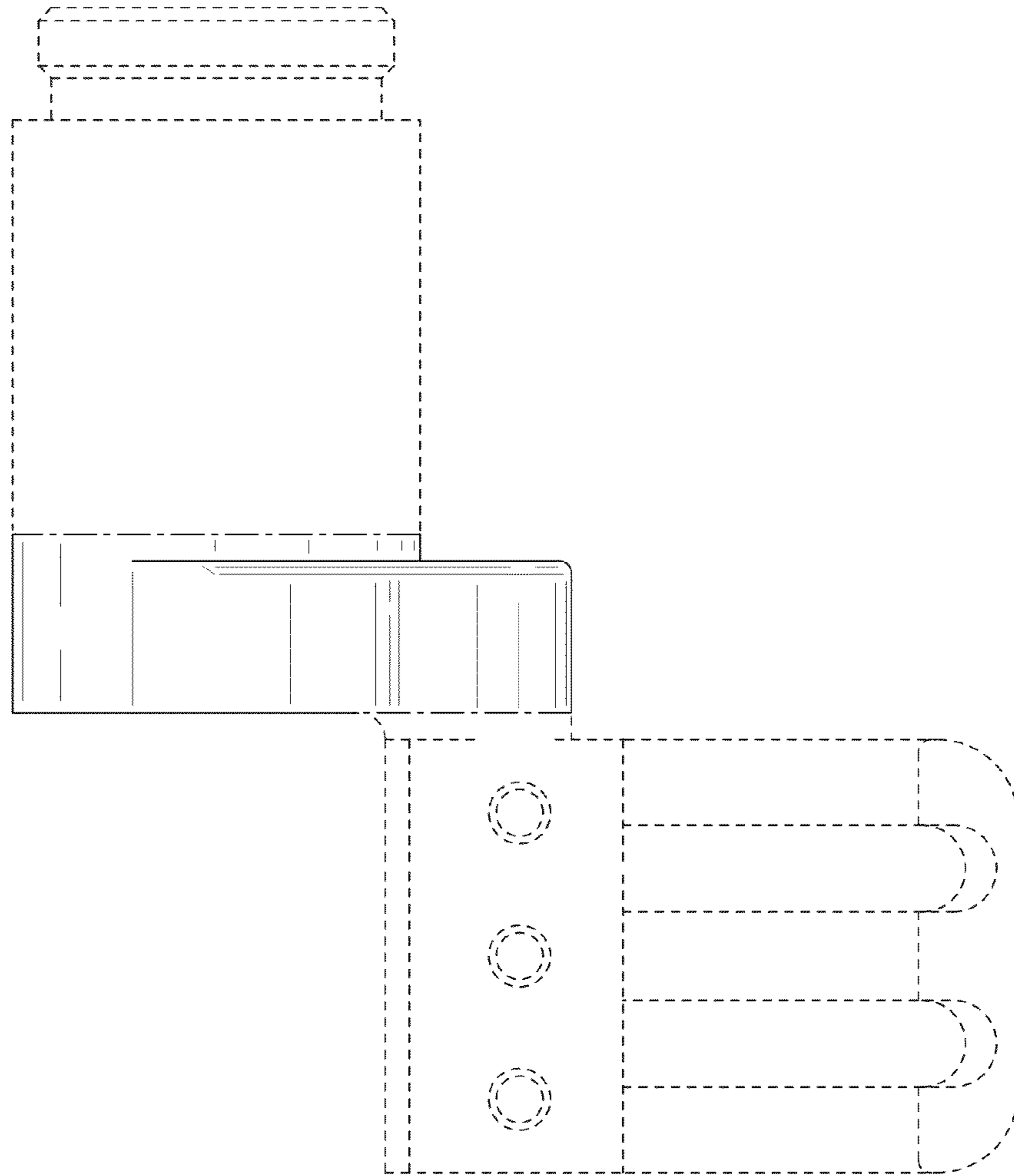


FIG. 12

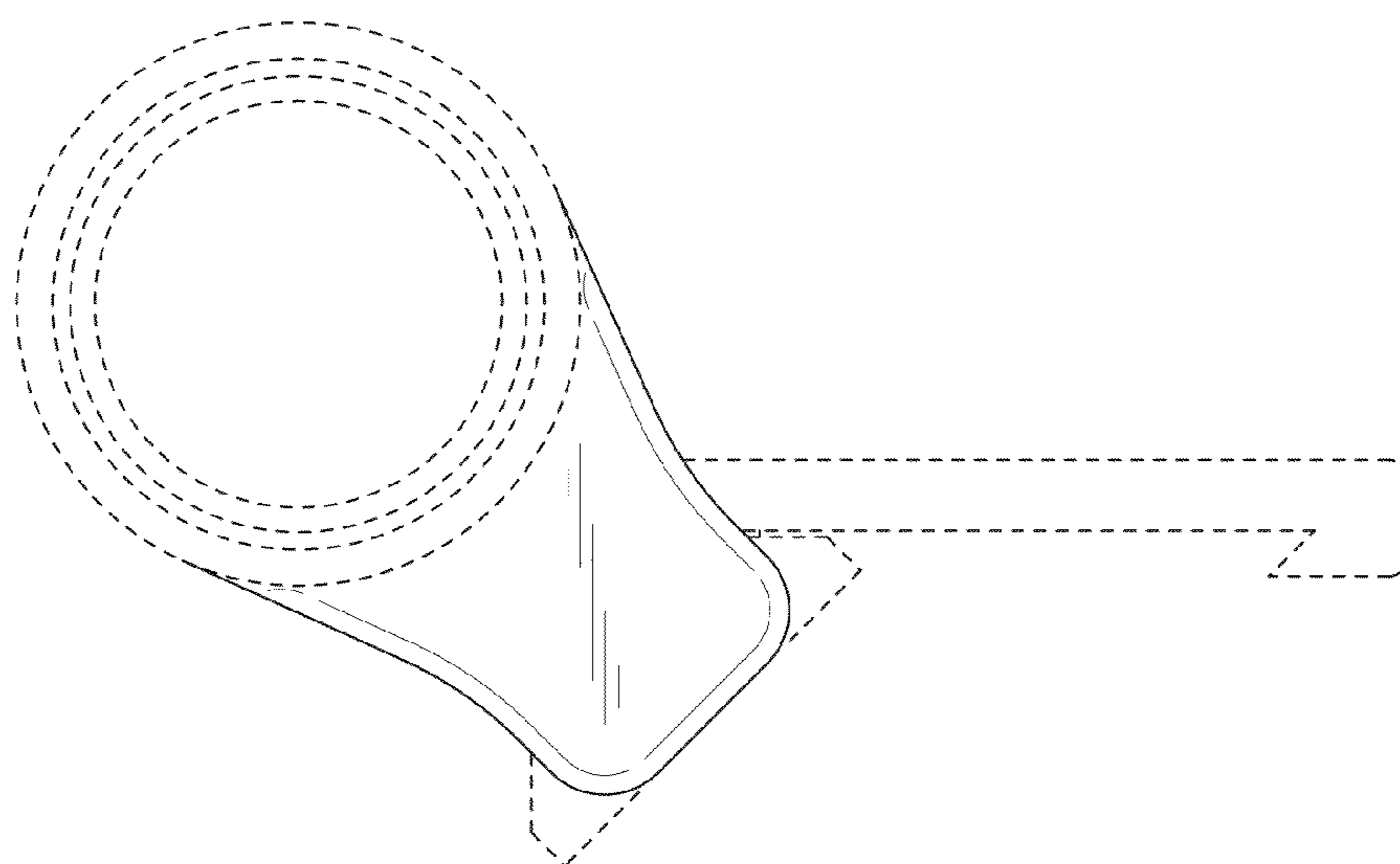


FIG. 13

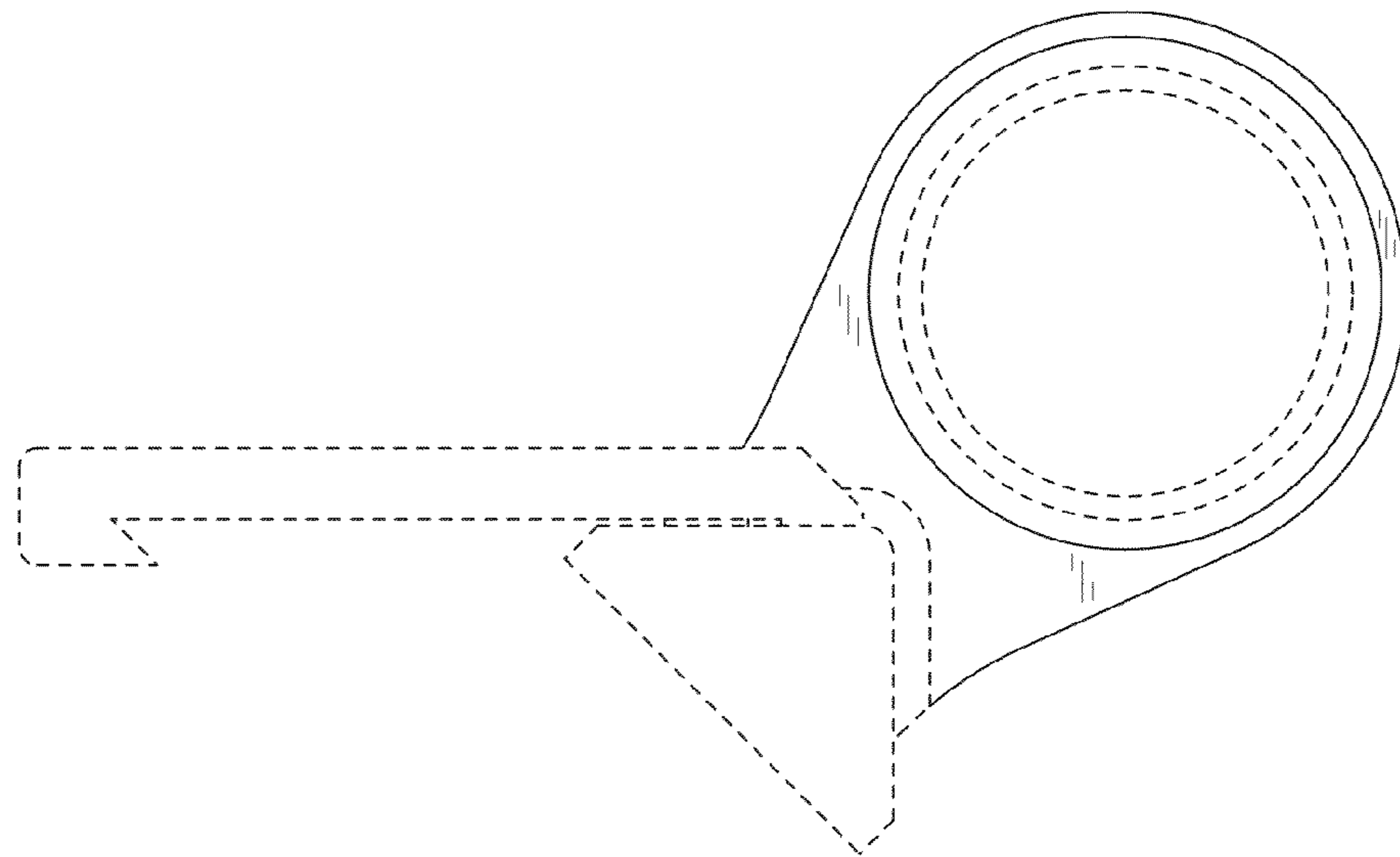


FIG. 14

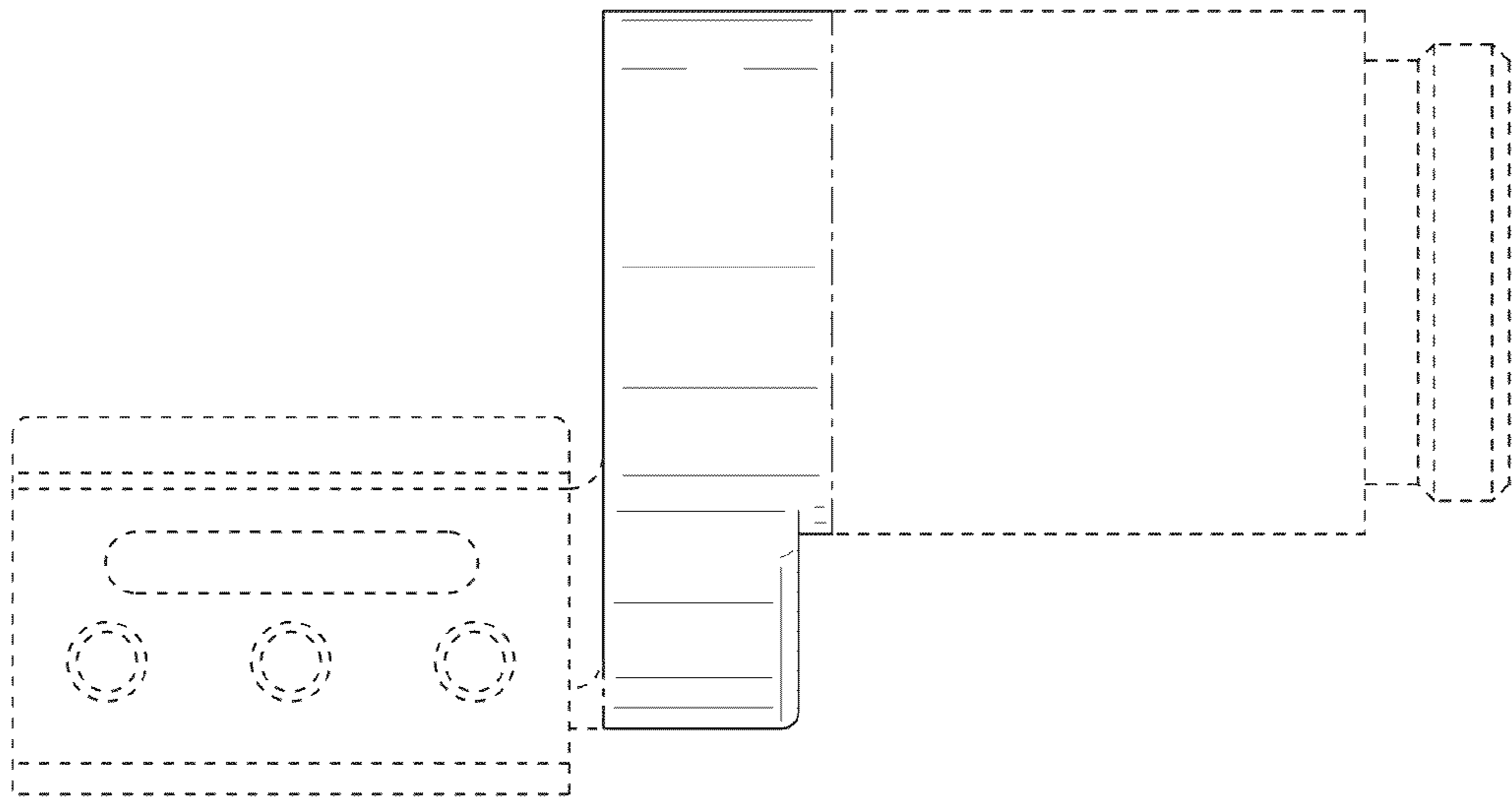


FIG. 15

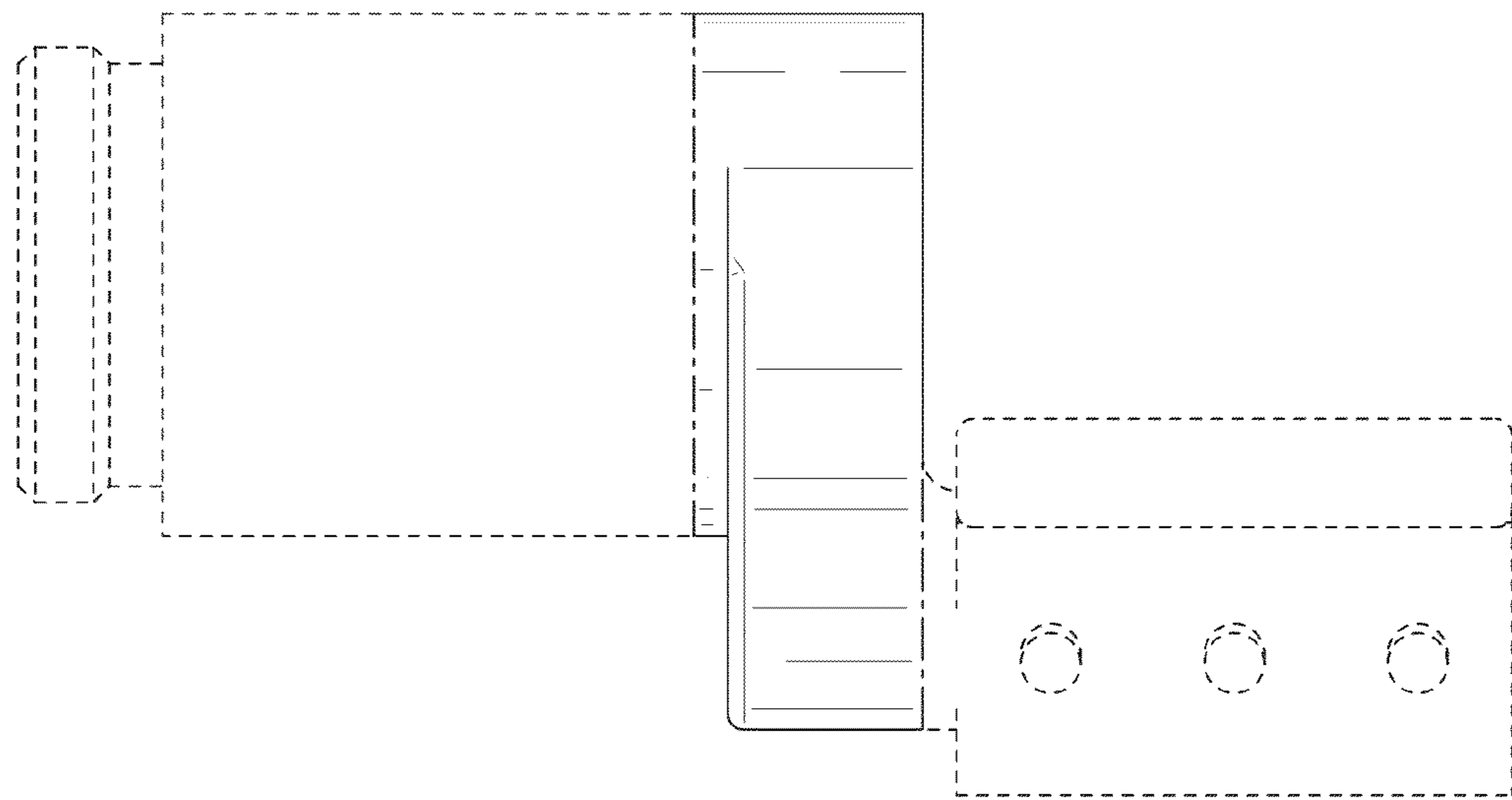


FIG. 16