



US00D750189S

(12) **United States Design Patent**
Pittman

(10) **Patent No.:** **US D750,189 S**

(45) **Date of Patent:** **** Feb. 23, 2016**

(54) **SLING MOUNT**

(71) Applicant: **Impact Weapons Components, LLC**,
Timnath, CO (US)

(72) Inventor: **Earl L. Pittman**, Fort Collins, CO (US)

(73) Assignee: **Impact Weapons Components, LLC**,
Timnath, CO (US)

(**) Term: **14 Years**

(21) Appl. No.: **29/490,158**

(22) Filed: **May 7, 2014**

(51) **LOC (10) Cl.** **22-01**

(52) **U.S. Cl.**
USPC **D22/108**

(58) **Field of Classification Search**
USPC D3/214–215, 221, 262, 327–328;
224/150; D22/108; D29/101.1, 101.2;
42/85, 94
CPC .. F41C 33/02; F41C 33/0209; F41C 33/0236;
F41C 33/0245; F41C 33/0254; F41C 33/0263;
F41C 33/0272; F41C 33/0281; F41C 33/06;
F41C 23/02

See application file for complete search history.

(56) **References Cited**

U.S. PATENT DOCUMENTS

4,571,872	A *	2/1986	Johnson	42/85
5,305,540	A *	4/1994	Blenk	42/85
8,347,870	B1 *	1/2013	Mahutga	124/89
2006/0254113	A1 *	11/2006	Esch	42/85
2012/0174458	A1 *	7/2012	Burnsed, Jr.	42/85
2015/0198408	A1 *	7/2015	Kinzel et al.	42/72

* cited by examiner

Primary Examiner — Michael A Pratt

(74) *Attorney, Agent, or Firm* — Cooley LLP

(57) **CLAIM**

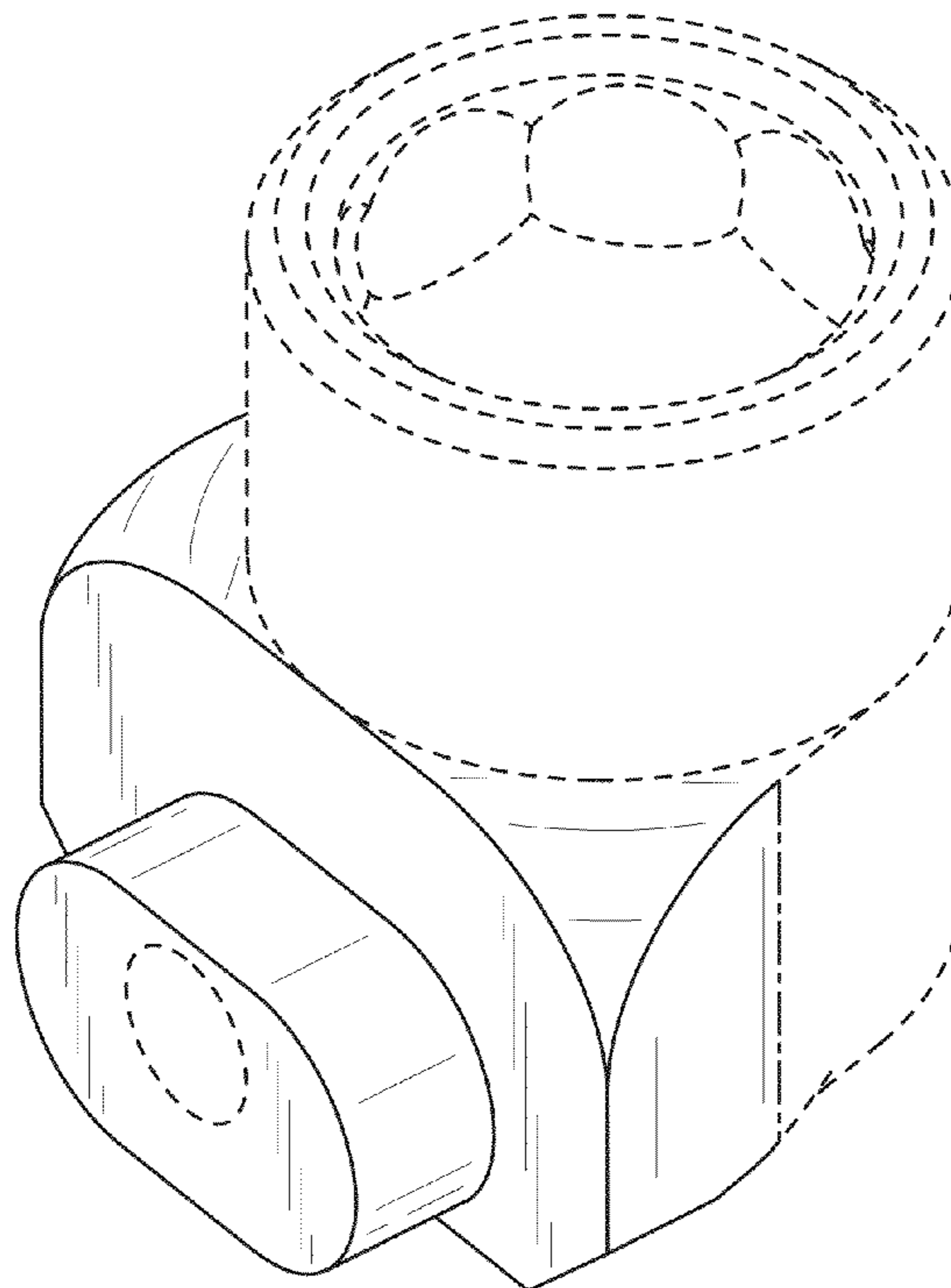
The ornamental design for a sling mount, as shown and described.

DESCRIPTION

FIG. 1 is a perspective view of the sling mount;
FIG. 2 is a front view;
FIG. 3 is a back view;
FIG. 4 is a left side view;
FIG. 5 is a right side view;
FIG. 6 is a top view; and,
FIG. 7 is a bottom view.

The broken lines immediately adjacent the shaded areas represent the bounds of the claimed design while all other broken lines are directed to environment and are for illustrative purposes only; the broken lines form no part of the claimed design.

1 Claim, 4 Drawing Sheets



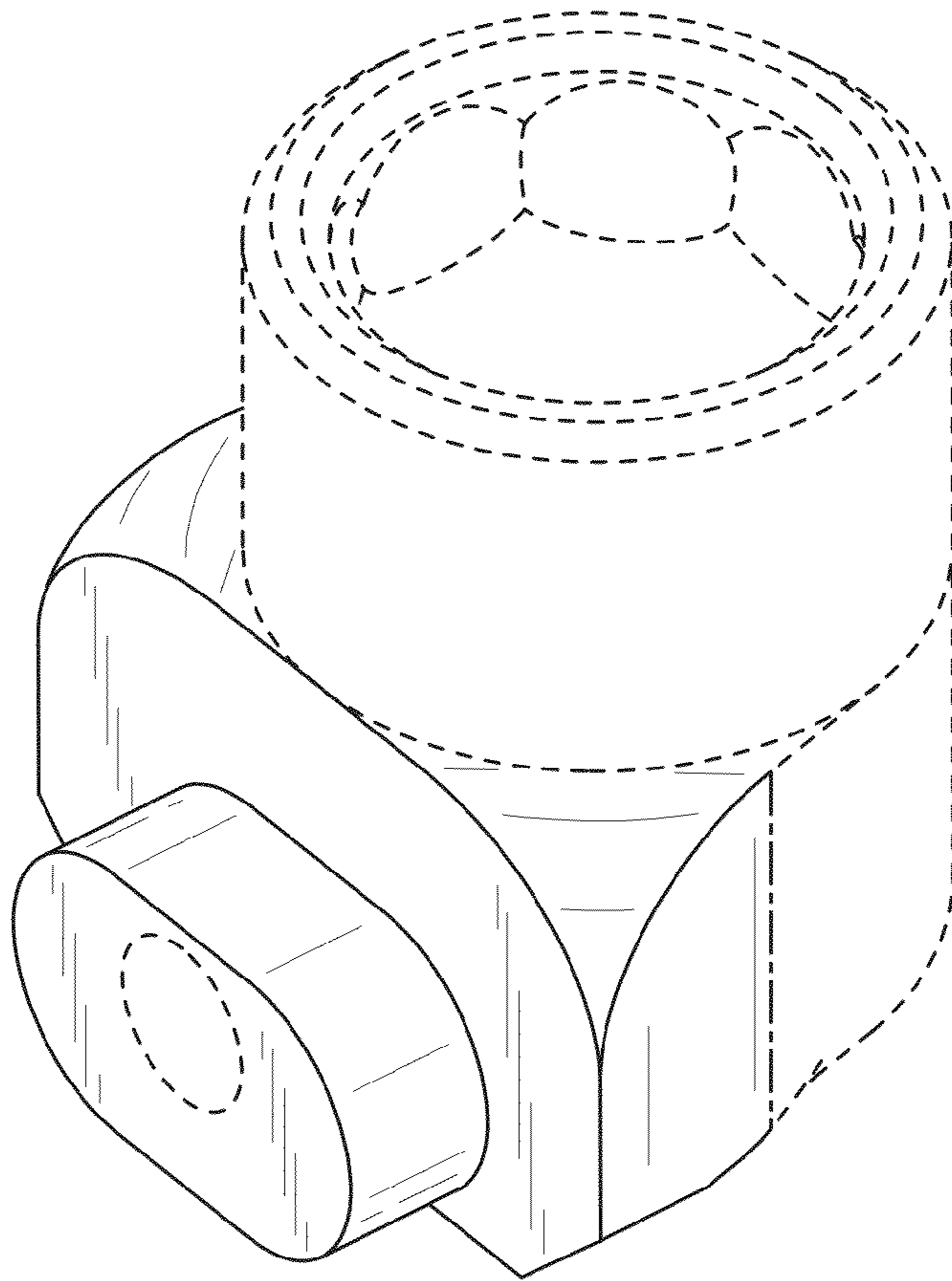


FIG. 1

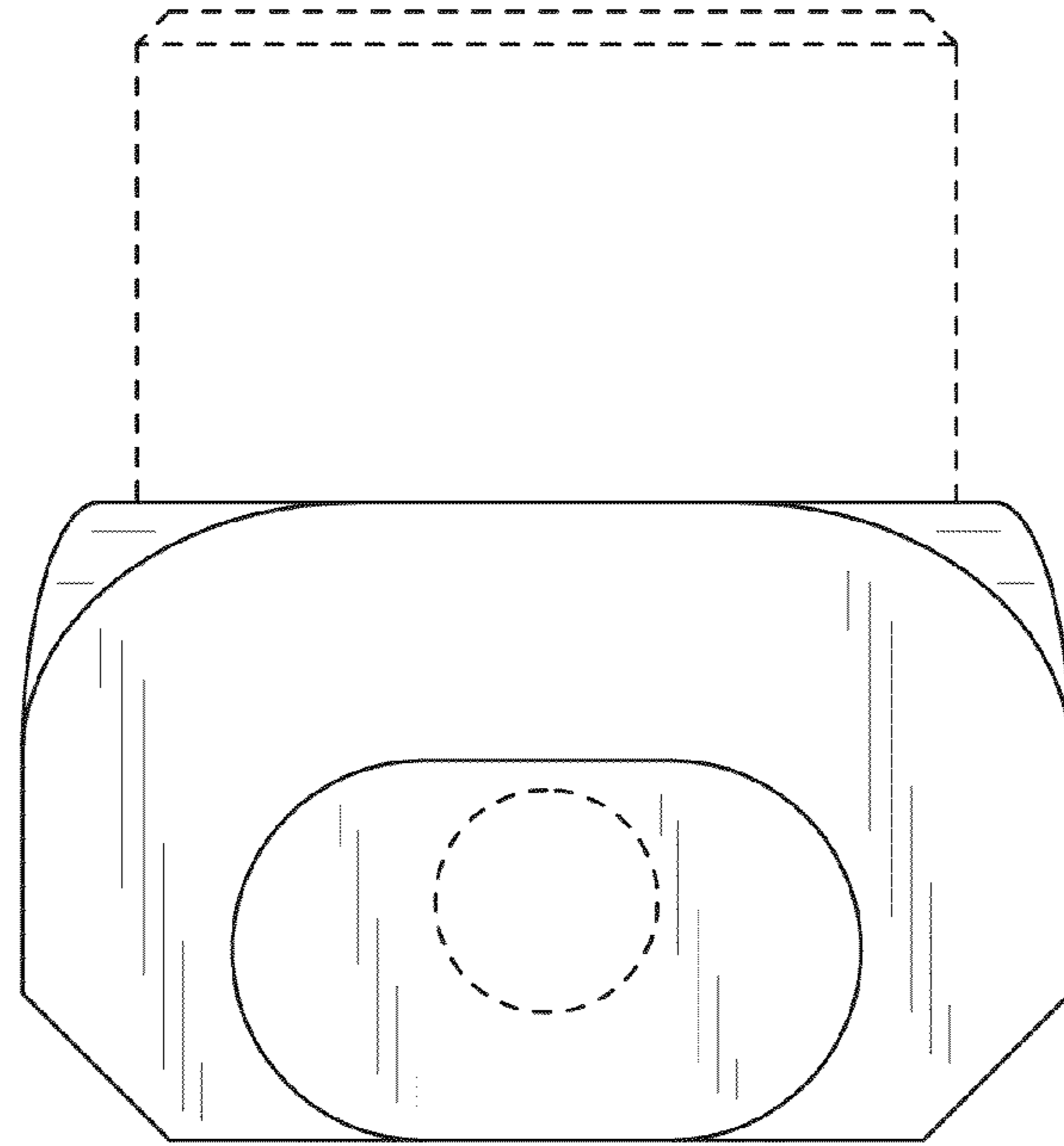


FIG. 2

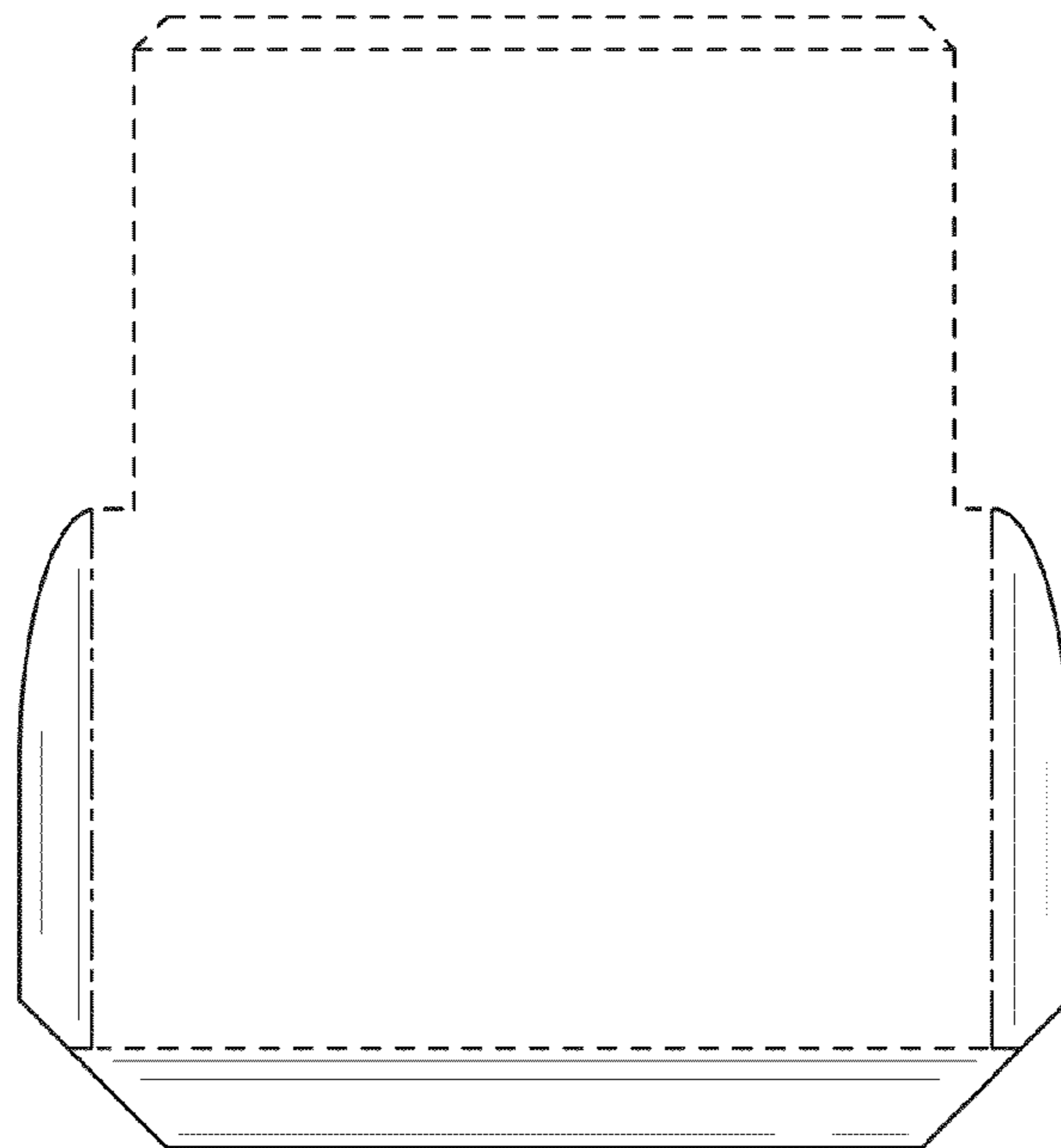


FIG. 3

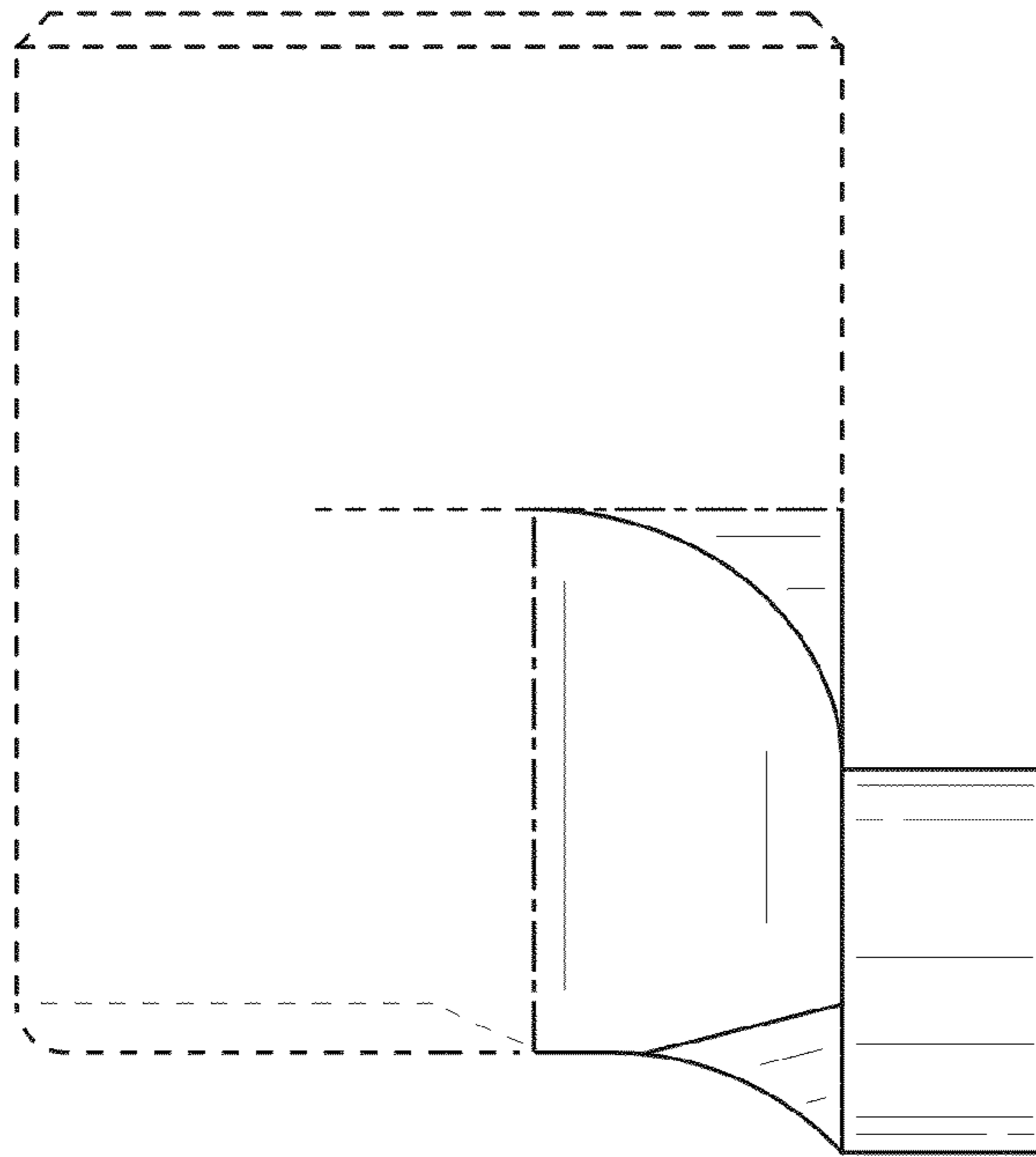


FIG. 4

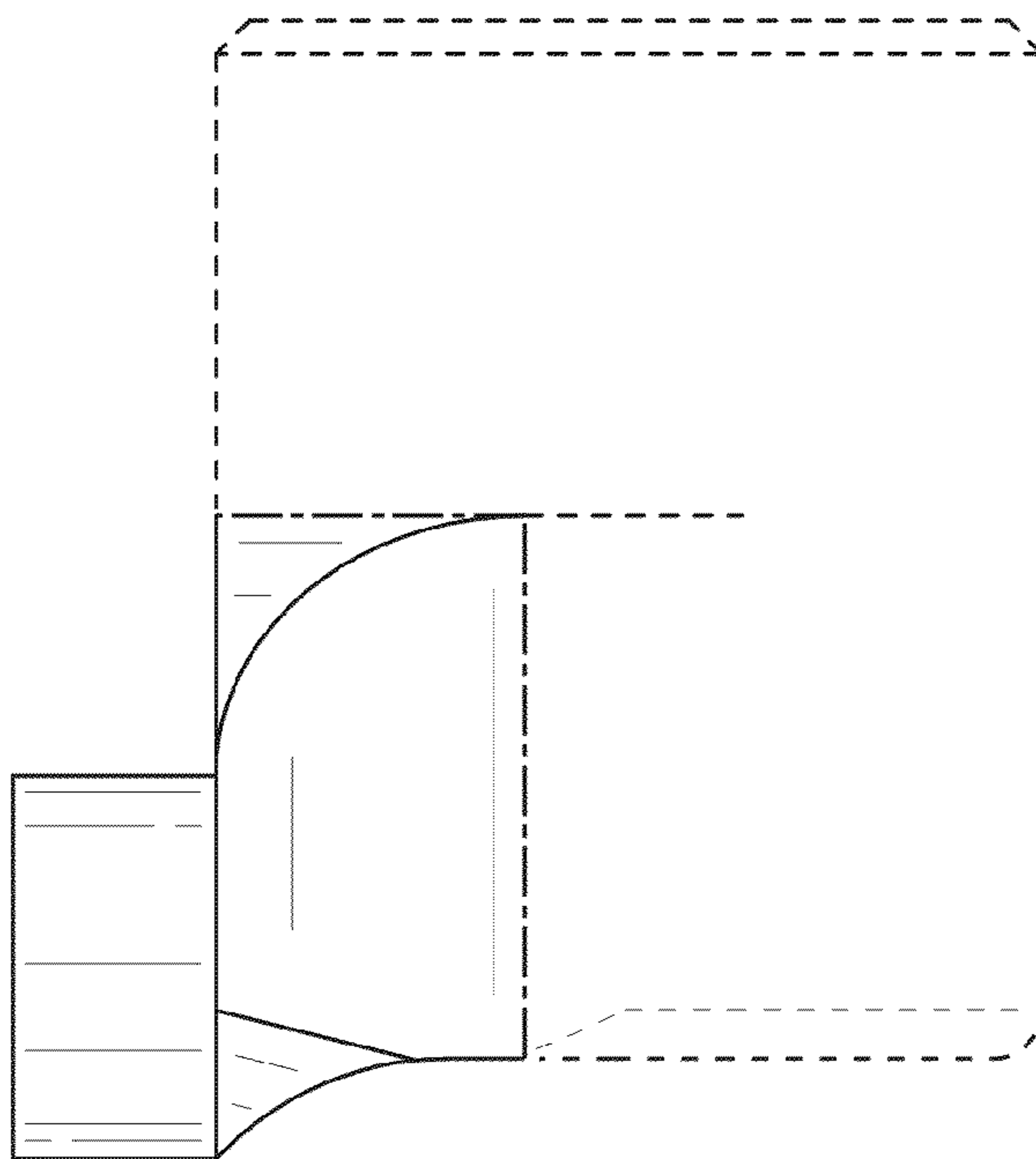


FIG. 5

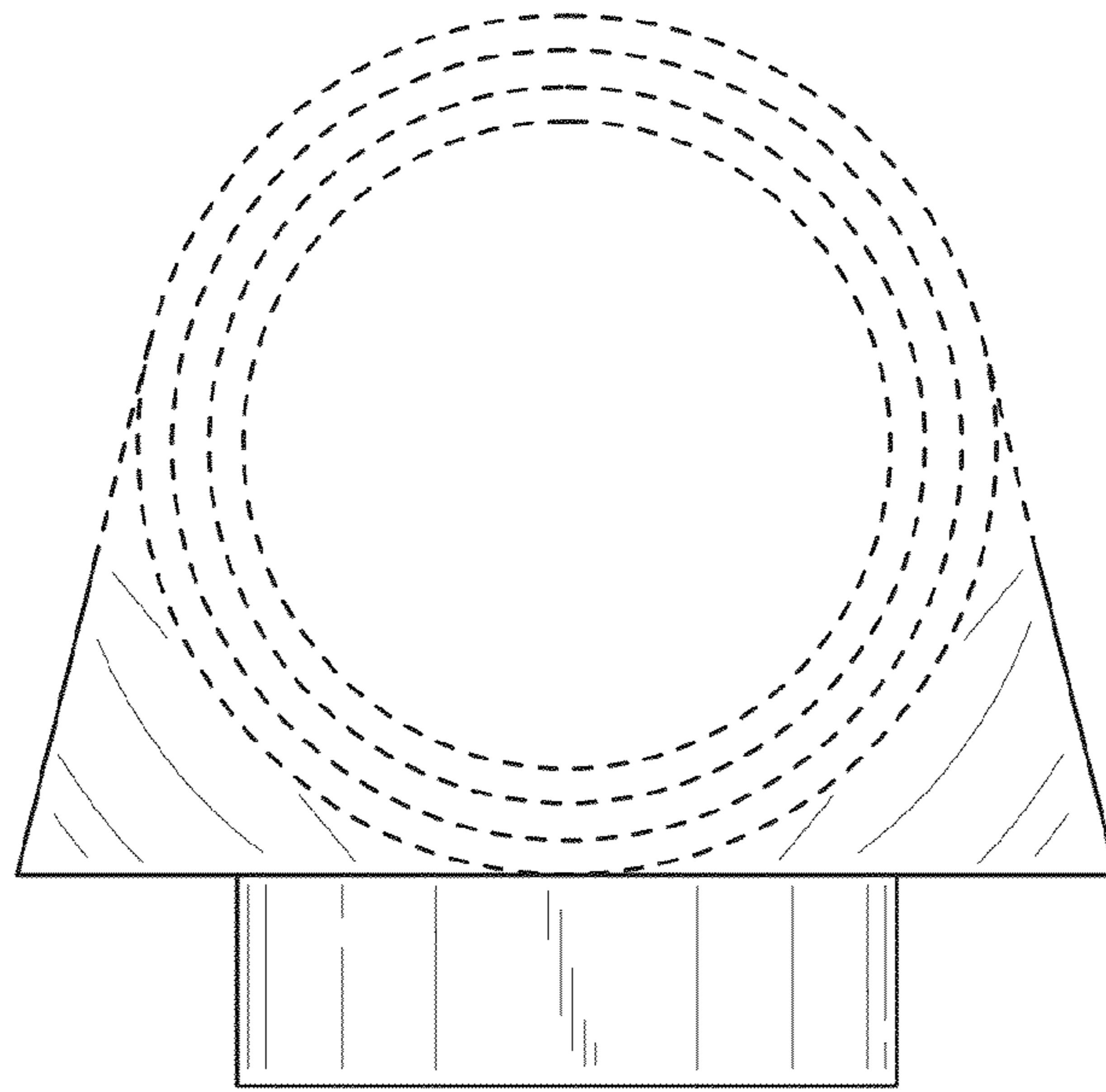


FIG. 6

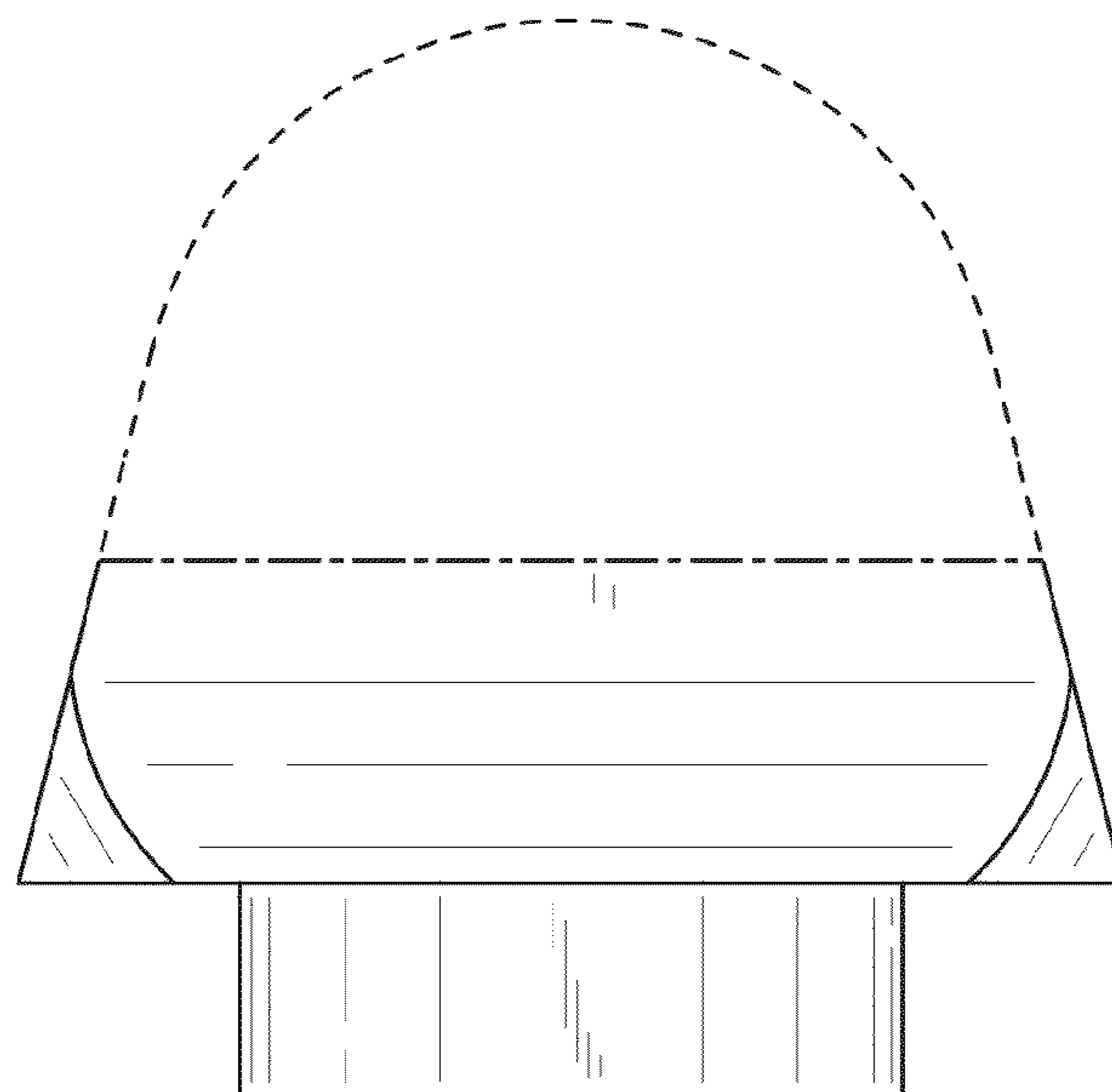


FIG. 7