

US00D750184S

(12) **United States Design Patent**
Gordon

(10) **Patent No.:** **US D750,184 S**

(45) **Date of Patent:** **** Feb. 23, 2016**

(54) **BALL GAME PRACTICE DEVICE**

(71) Applicant: **Richard John Albert Gordon,**
Twickenham (GB)

(72) Inventor: **Richard John Albert Gordon,**
Twickenham (GB)

(**) Term: **14 Years**

(21) Appl. No.: **29/506,864**

(22) Filed: **Oct. 21, 2014**

(30) **Foreign Application Priority Data**

Apr. 23, 2014 (GB) 4035253

(51) **LOC (10) Cl.** **21-02**

(52) **U.S. Cl.**
USPC **D21/698; D21/719**

(58) **Field of Classification Search**
USPC D21/698, 699, 715, 717, 719, 780, 781,
D21/788, 789, 790, 791, 796, 799.1, 799.2
CPC A63B 69/00; A63B 69/0002; A63B
69/0015; A63B 69/0073; A63B 69/0075;
A63B 69/0079; A63B 69/0091; A63B 69/36;
A63B 69/3617; A63B 69/3623; A63B
69/3655; A63B 69/38; A63B 2069/0004;
A63B 2069/0008; A63B 2069/0082; A63B
2243/0004; A63B 2243/0008; A63B
2243/0012; A63B 2243/0016; A63B
2243/0075; A63B 2243/0079; A63B
2243/0083; A63B 2243/0091
See application file for complete search history.

(56) **References Cited**

U.S. PATENT DOCUMENTS

2,074,146 A * 3/1937 Hewel 473/149
D160,979 S * 11/1950 Tannehill D21/791
D234,783 S * 4/1975 Conde D21/705
D242,561 S * 11/1976 Yamakawa D21/715
4,014,552 A * 3/1977 Watson 473/143

4,204,678 A * 5/1980 Weis 473/423
4,352,494 A * 10/1982 Wells 473/449
4,460,172 A * 7/1984 Hogan
4,531,734 A * 7/1985 Herrick 473/429
4,561,661 A * 12/1985 Walker et al. 473/423
4,989,867 A * 2/1991 Herrick 473/429
5,121,923 A * 6/1992 D'Allura 473/140
5,386,988 A * 2/1995 Sung et al. 473/423
5,393,050 A * 2/1995 Lloyd 473/429
5,513,843 A * 5/1996 Russell 473/416
5,685,542 A * 11/1997 Weis 473/459
6,343,996 B1 * 2/2002 Gasseling 473/147
6,458,037 B1 10/2002 Dixon, Jr.
6,551,204 B1 4/2003 Di Re
7,066,828 B2 * 6/2006 Lee et al. 473/277
7,214,136 B1 * 5/2007 Perry et al. 473/139
7,517,291 B2 4/2009 Waldron
8,128,516 B2 * 3/2012 Pan et al. 473/427
2007/0060418 A1 3/2007 Arenas

FOREIGN PATENT DOCUMENTS

CN 202844515 4/2013
RU 95535 U 7/2010
WO 2012/096593 7/2012

* cited by examiner

Primary Examiner — Catherine Tuttle

(74) *Attorney, Agent, or Firm* — Nixon & Vanderhye P.C.

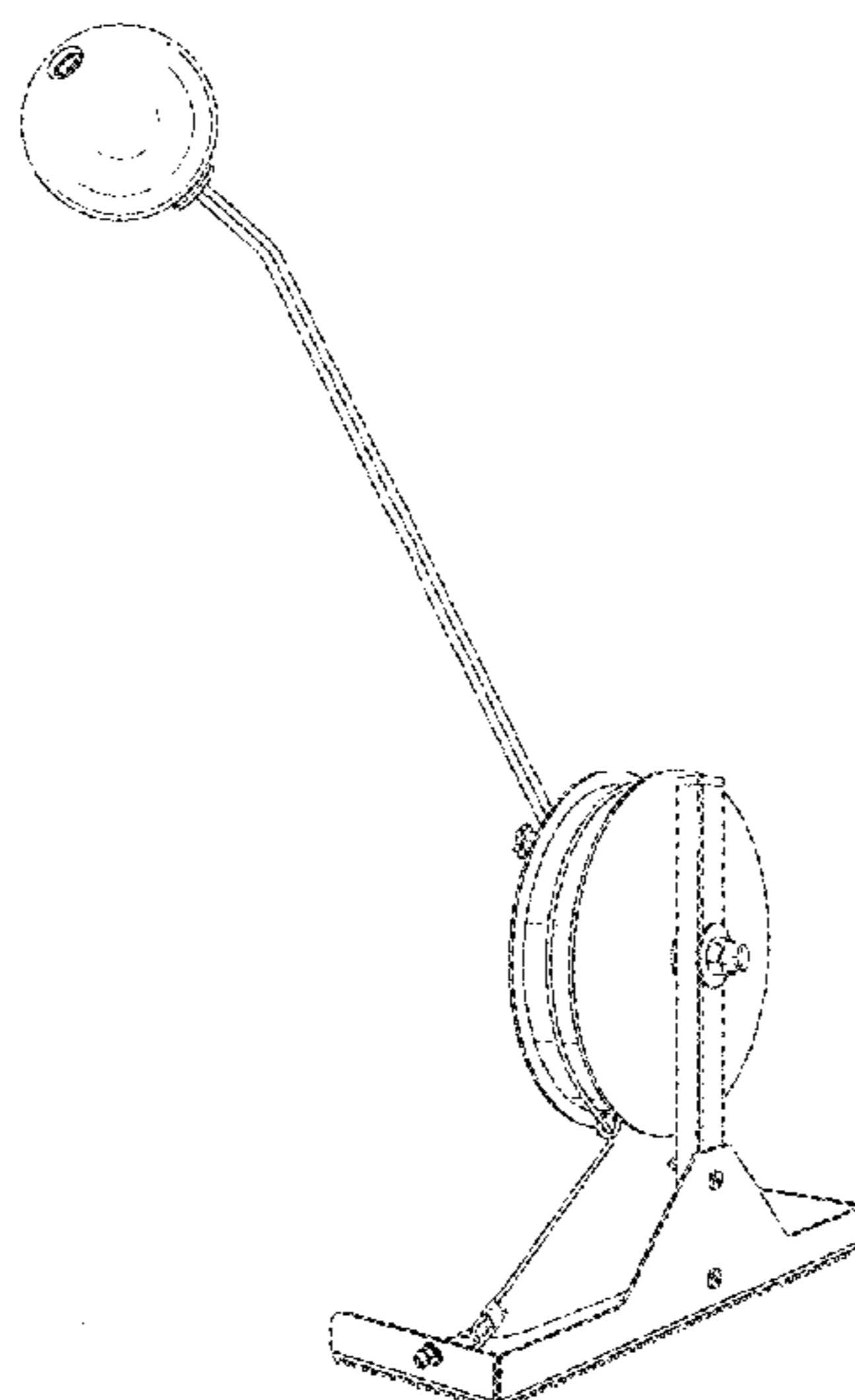
(57) **CLAIM**

The ornamental design for a ball game practice device, as shown and described.

DESCRIPTION

FIG. 1 is a perspective view of a ball game practice device showing my new design;
FIG. 2 is a front view of thereof;
FIG. 3 is a rear view thereof;
FIG. 4 is a side view thereof;
FIG. 5 is a side view of the opposite side of FIG. 4;
FIG. 6 is a top view thereof; and,
FIG. 7 is a bottom view thereof.

1 Claim, 5 Drawing Sheets



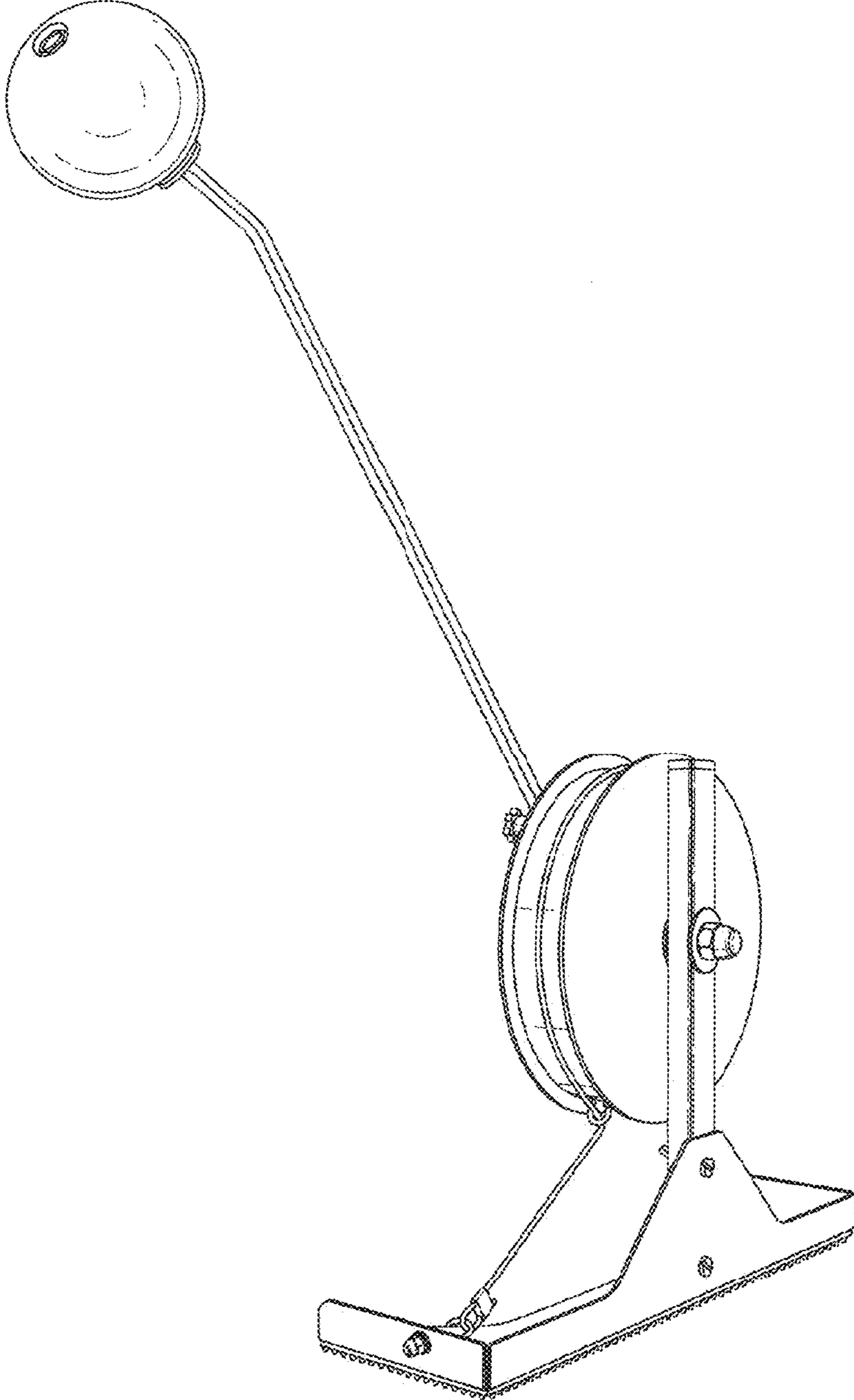


FIG. 1

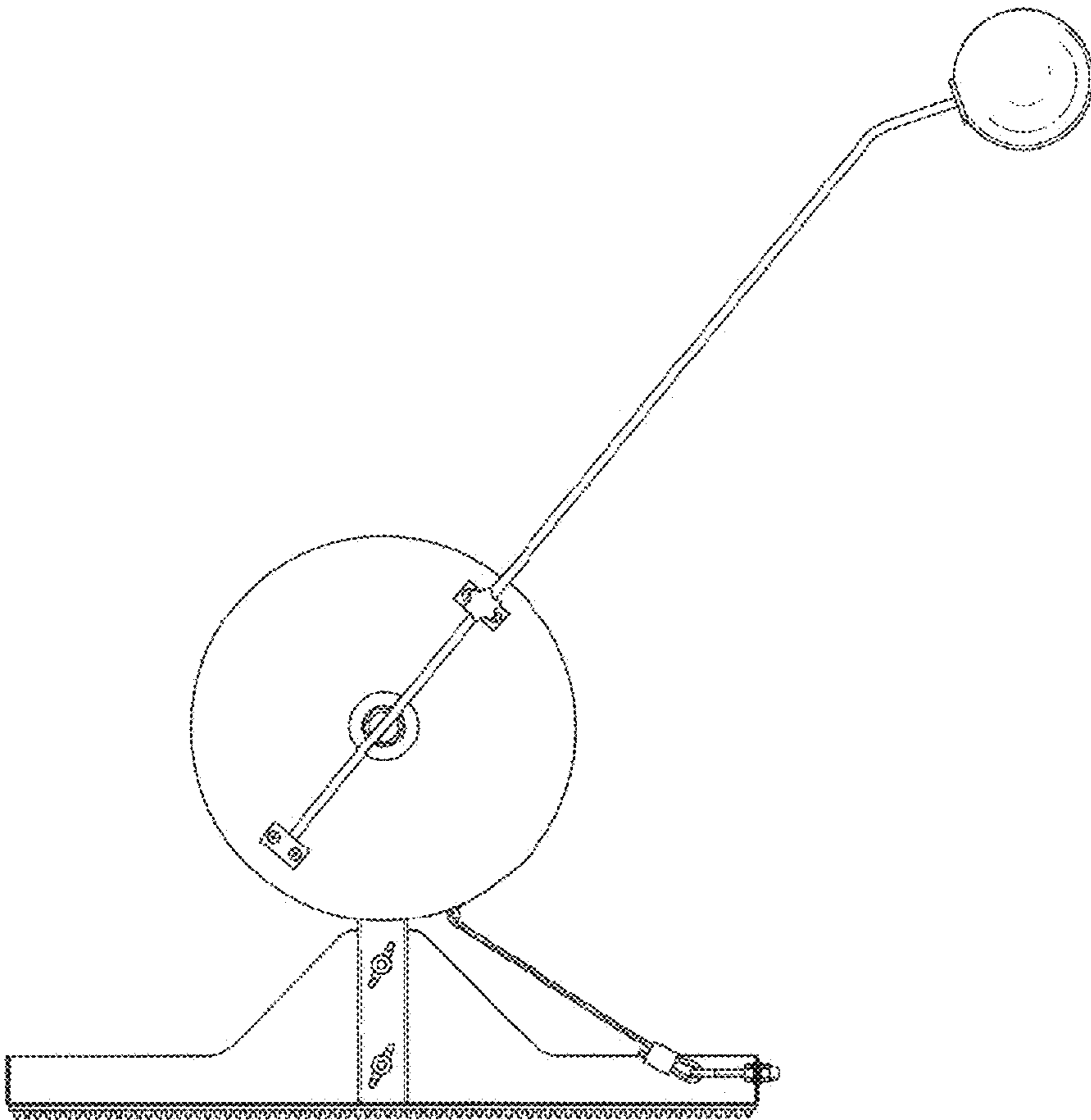


FIG. 2

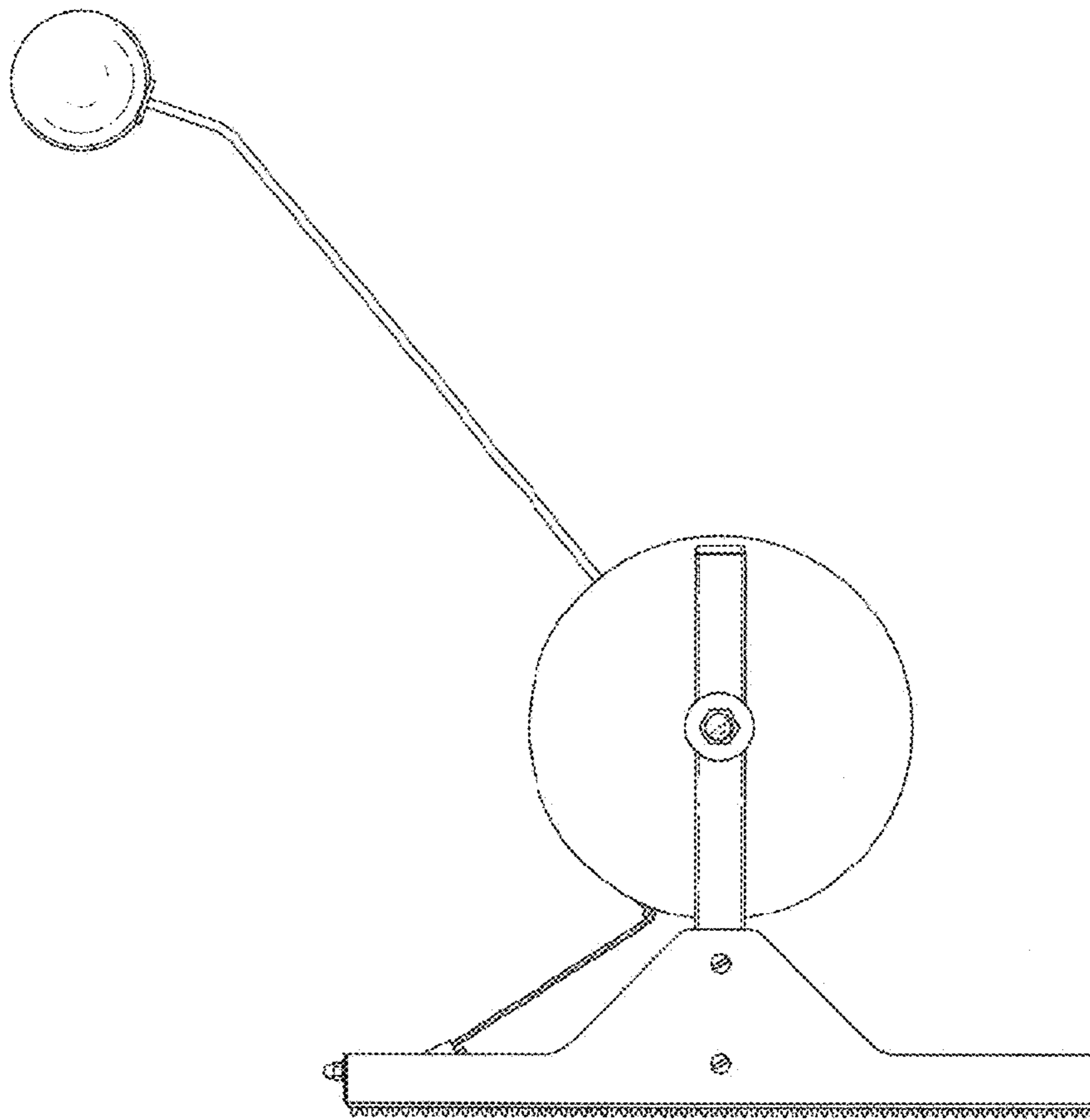


FIG. 3

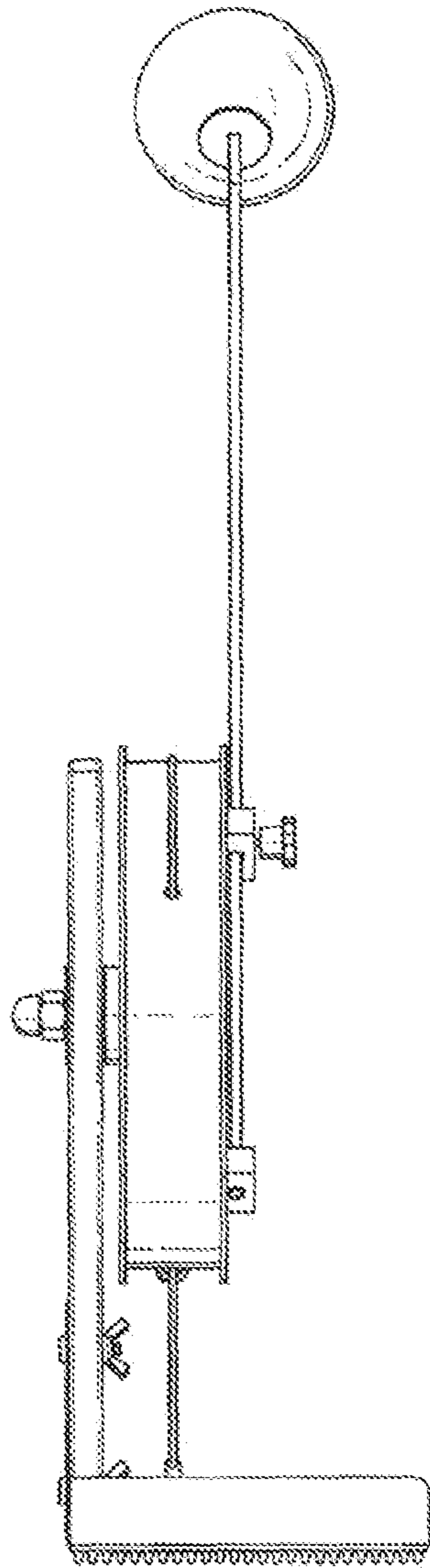


FIG. 4

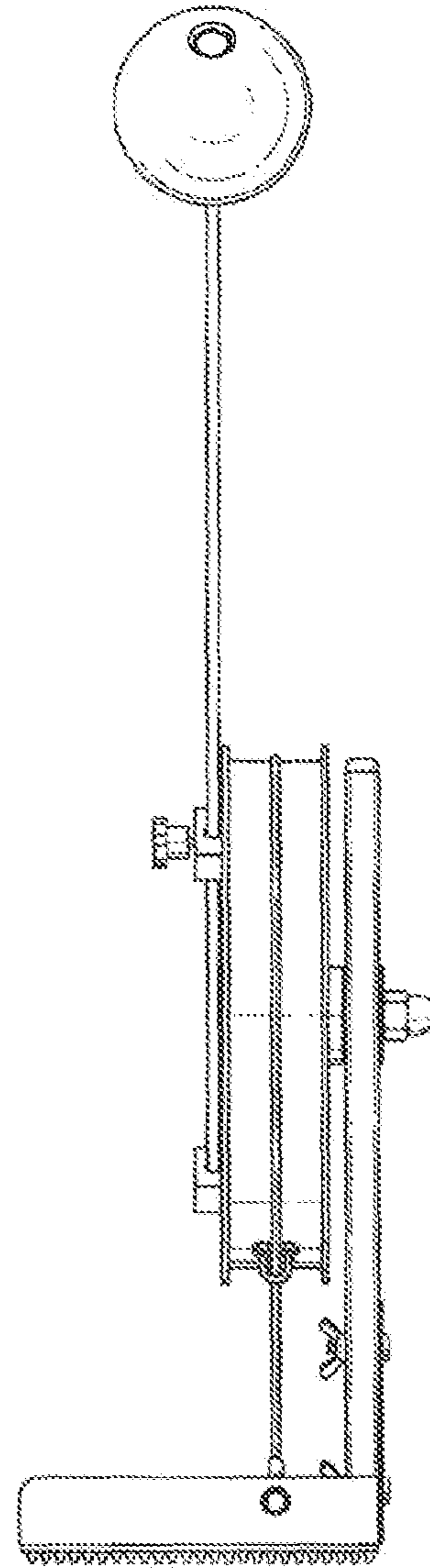


FIG. 5

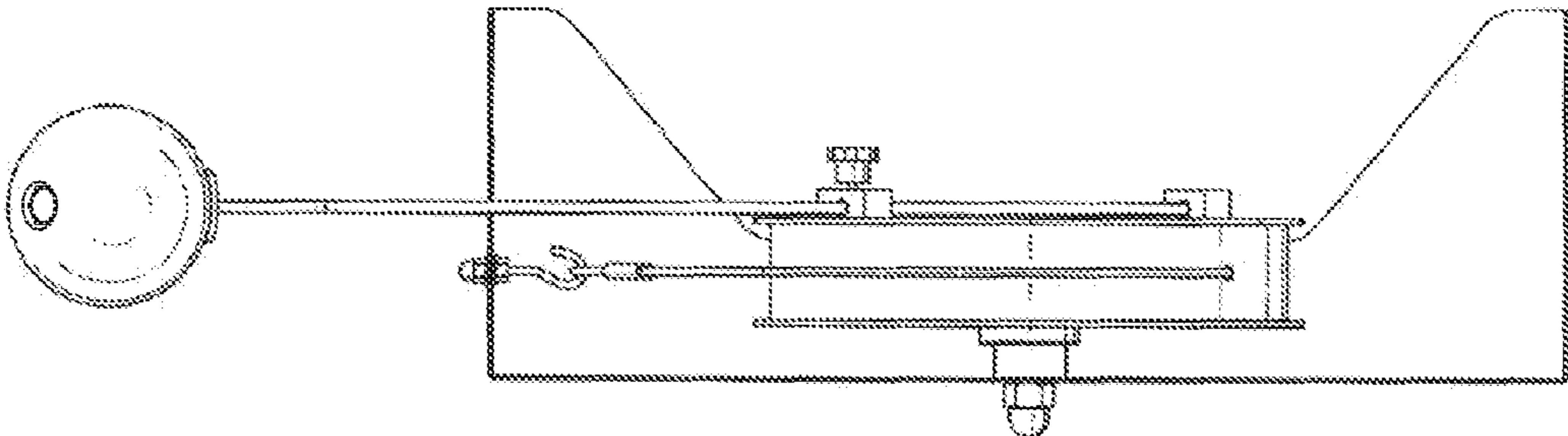


FIG. 6

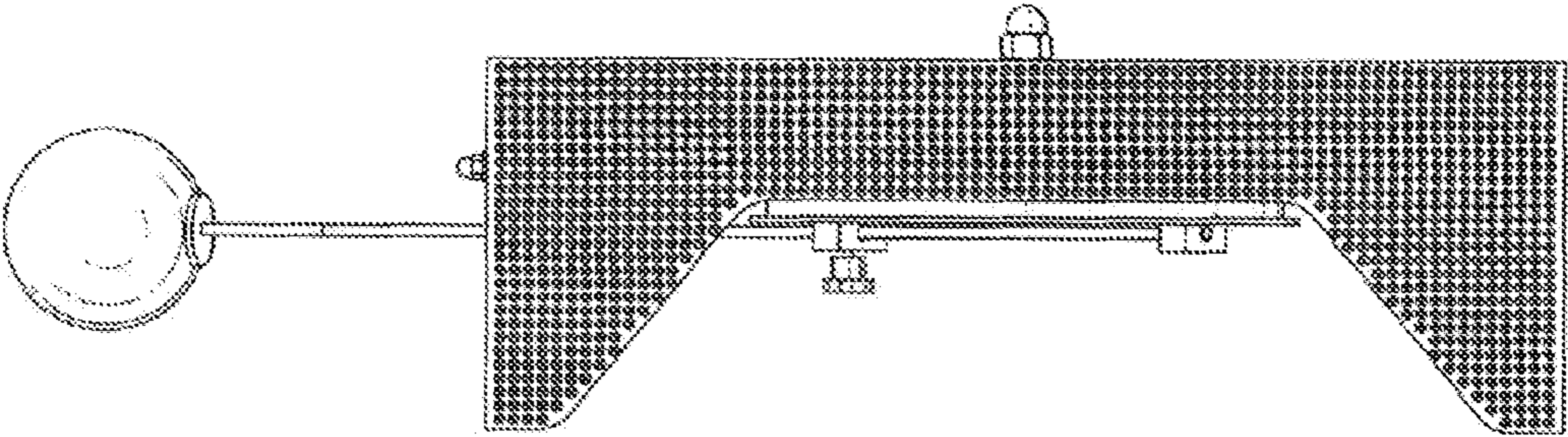


FIG. 7