



US00D750179S

(12) **United States Design Patent**
Foulkes et al.

(10) **Patent No.:** **US D750,179 S**
(45) **Date of Patent:** **** Feb. 23, 2016**

(54) **COMBINATION JOYSTICK AND DISPLAY APPARATUS**

(71) Applicant: **Brunswick Corporation**, Lake Forest, IL (US)

(72) Inventors: **David M. Foulkes**, Mequon, WI (US);
Travis J. Vaninetti, Neenah, WI (US);
Todd D. Dannenberg, Oshkosh, WI (US)

(73) Assignee: **Brunswick Corporation**, Lake Forest, IL (US)

(**) Term: **14 Years**

(21) Appl. No.: **29/517,074**

(22) Filed: **Feb. 10, 2015**

(51) **LOC (10) Cl.** **21-01**

(52) **U.S. Cl.**
USPC **D21/333; D14/400; D21/325**

(58) **Field of Classification Search**
USPC D21/324, 328, 333, 385, 477, 566;
D14/399-402, 412, 414, 416, 217, 218,
D14/388, 432-434, 496; 273/148 B, 449,
273/441, 442; 463/1, 29-35, 46, 47;
345/156, 161; 434/45, 46
CPC A63F 13/00; A63F 13/02; A63F 9/00;
G09G 9/00

See application file for complete search history.

(56) **References Cited**

U.S. PATENT DOCUMENTS

4,568,080	A *	2/1986	Yokoi	A63F 13/08 345/7
5,213,327	A *	5/1993	Kitaue	G05G 9/04785 463/38
D382,915	S *	8/1997	Yang	D21/327
7,316,618	B2 *	1/2008	Hsu	A63F 13/06 273/148 B
D587,713	S *	3/2009	Sutton	D14/412
7,905,783	B2 *	3/2011	Cole	G07F 17/32 463/16
D658,184	S *	4/2012	Chang	D14/413
8,465,360	B2 *	6/2013	Matsuyama	A63F 13/04 463/2
D688,313	S *	8/2013	Brunner	D14/400
9,039,526	B2 *	5/2015	Hilbert	G07F 17/3211 463/31
D735,722	S *	8/2015	Amann	D14/413

* cited by examiner

Primary Examiner — Prabhakar Deshmukh
(74) *Attorney, Agent, or Firm* — Eric D. Bublitz

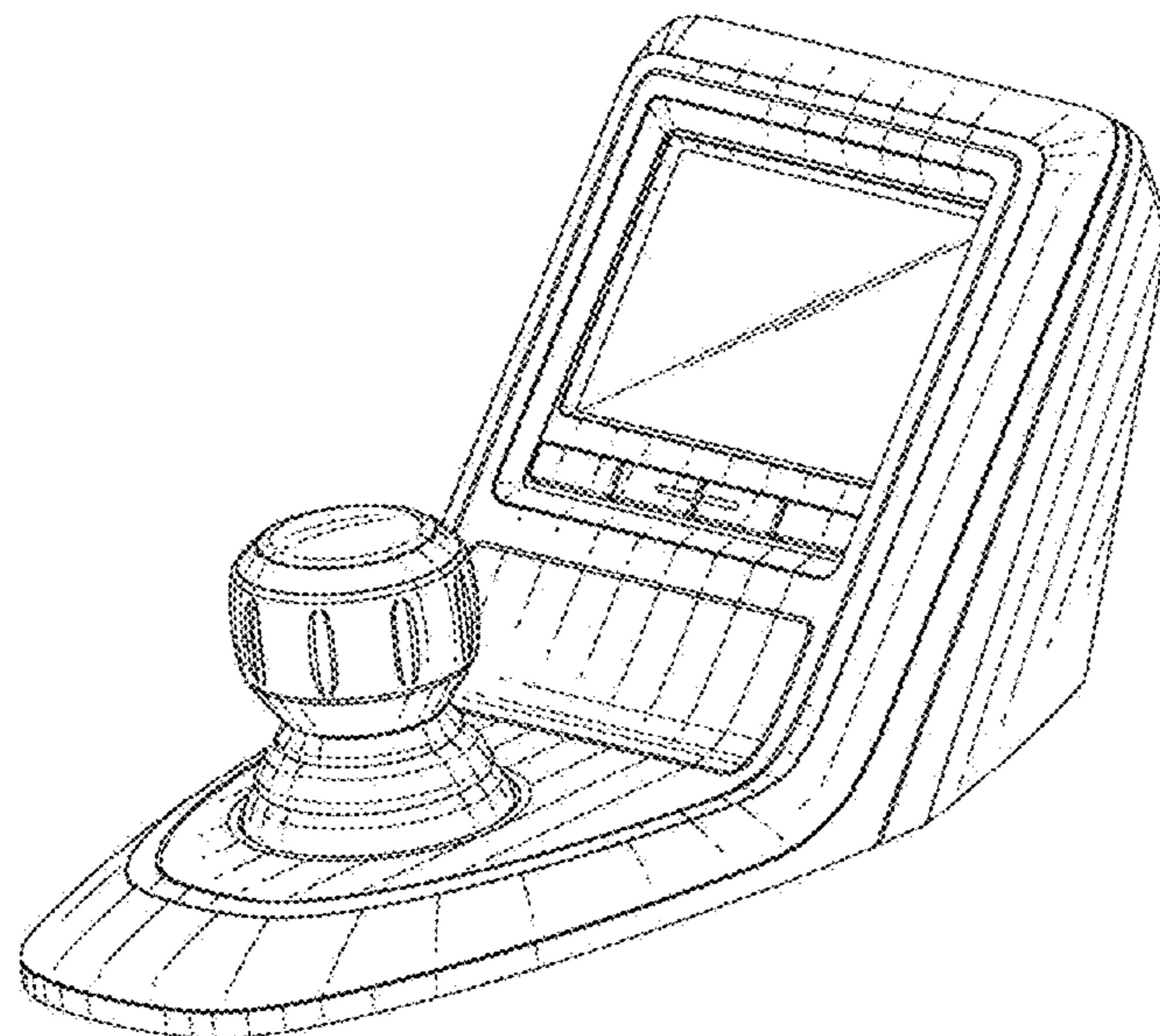
(57) **CLAIM**

The ornamental design for a combination joystick and display apparatus, as shown and described.

DESCRIPTION

FIG. 1 is a front perspective view of a combination joystick and display apparatus showing our new design; FIG. 2 is a rear perspective view thereof; FIG. 3 is a front elevational view thereof; FIG. 4 is a rear elevational view thereof; FIG. 5 is a right side elevational view thereof; FIG. 6 is a left side elevational view thereof; FIG. 7 is a top plan view thereof; and, FIG. 8 is a bottom plan view thereof.

1 Claim, 8 Drawing Sheets



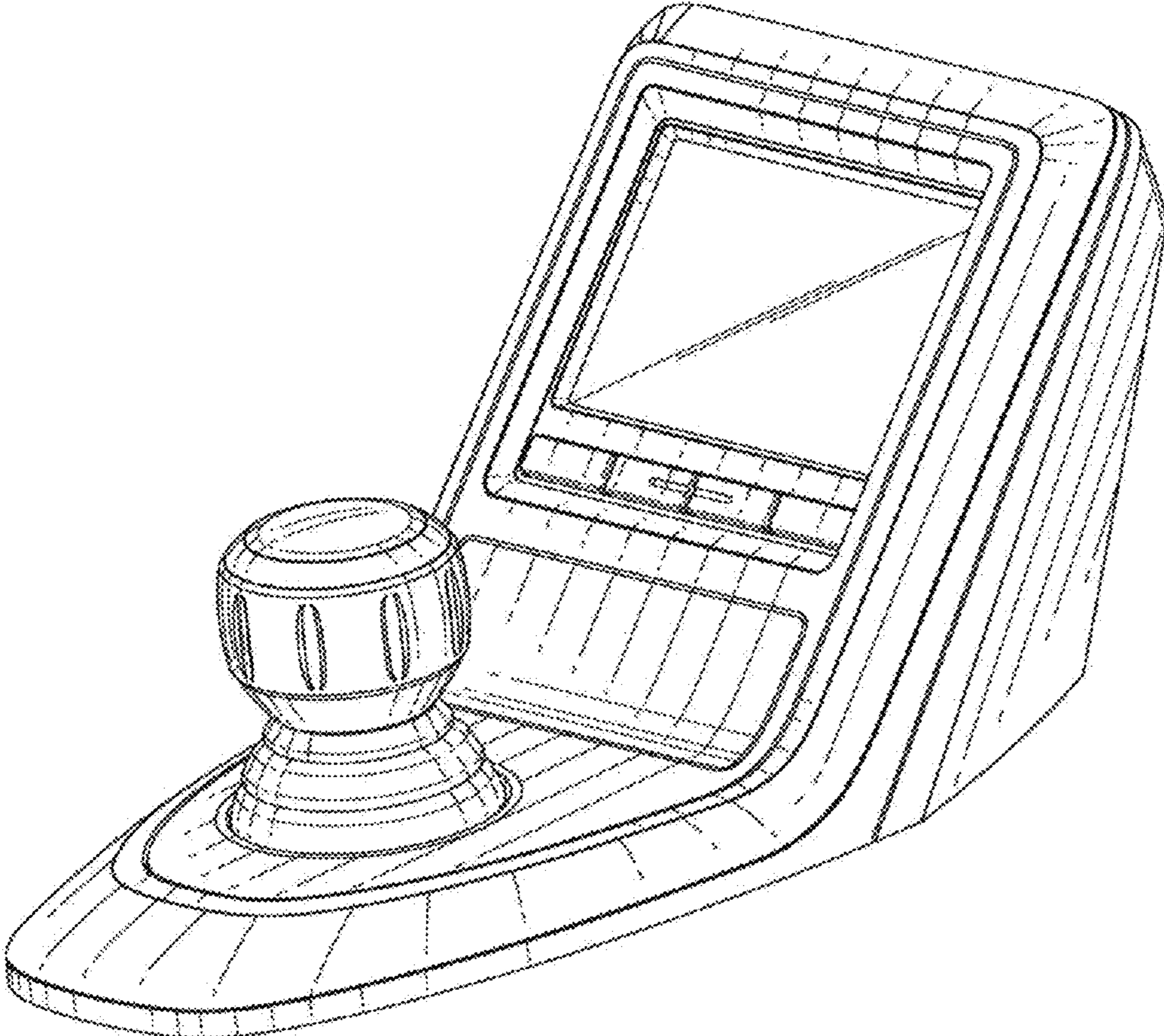


FIG. 1

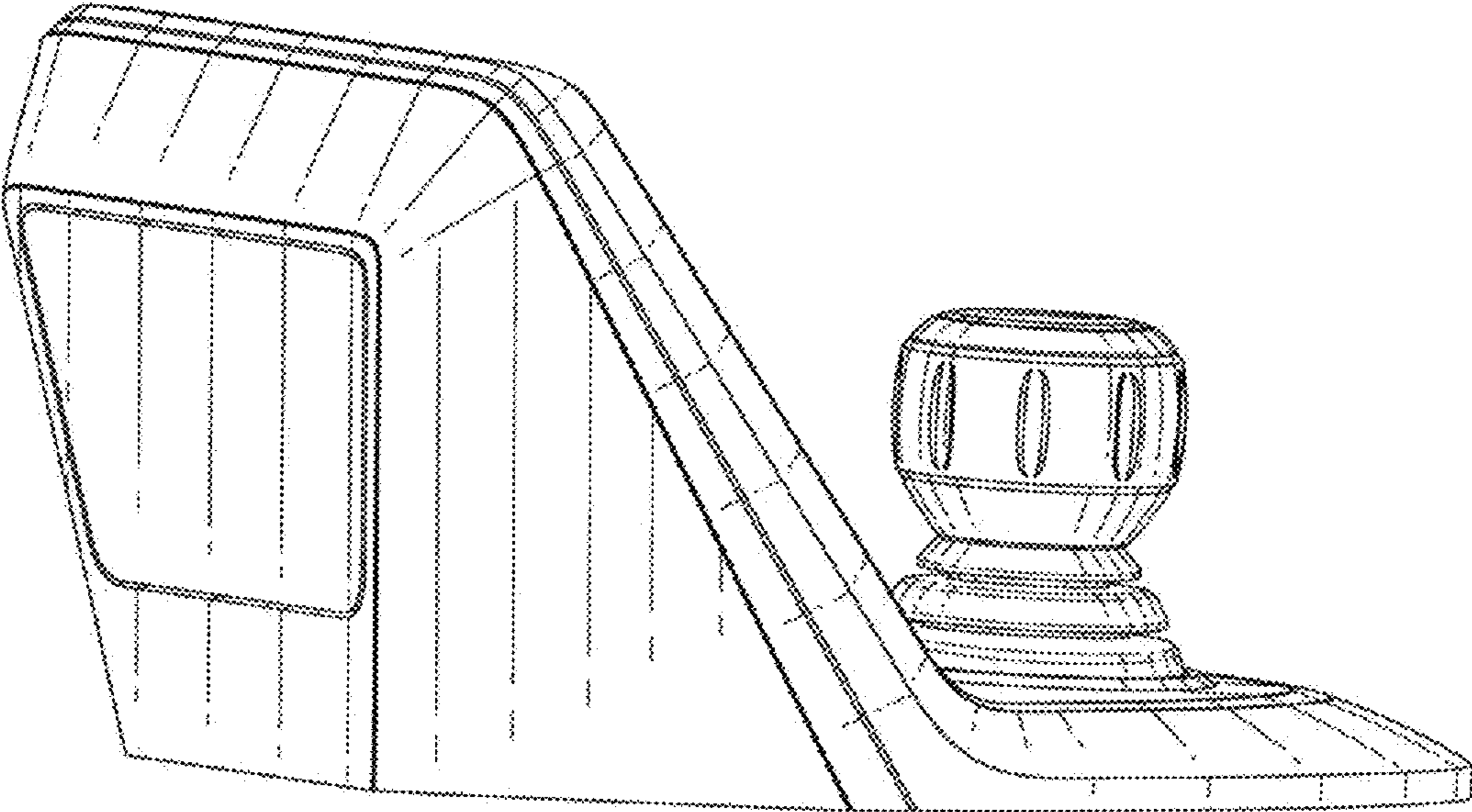


FIG. 2

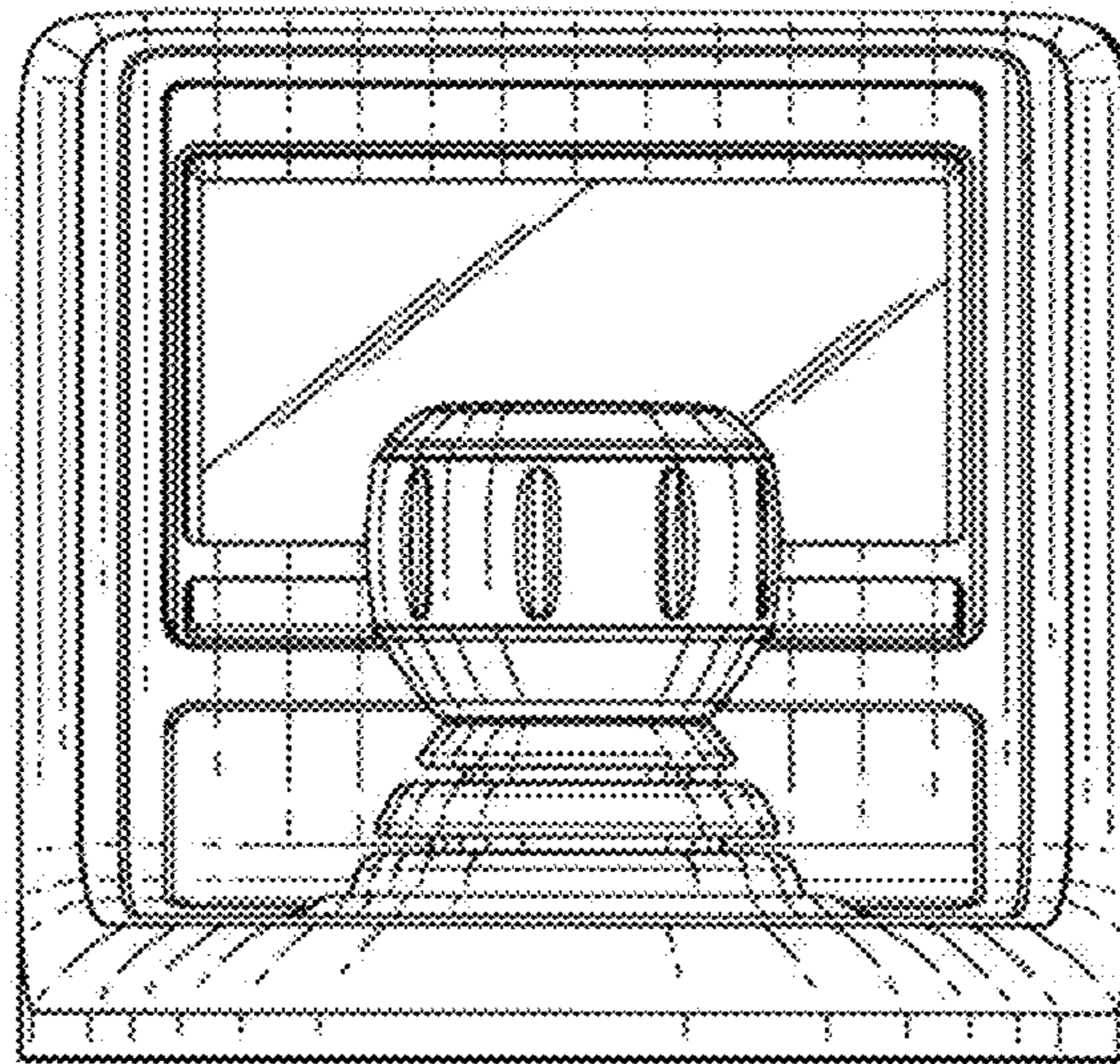


FIG. 3

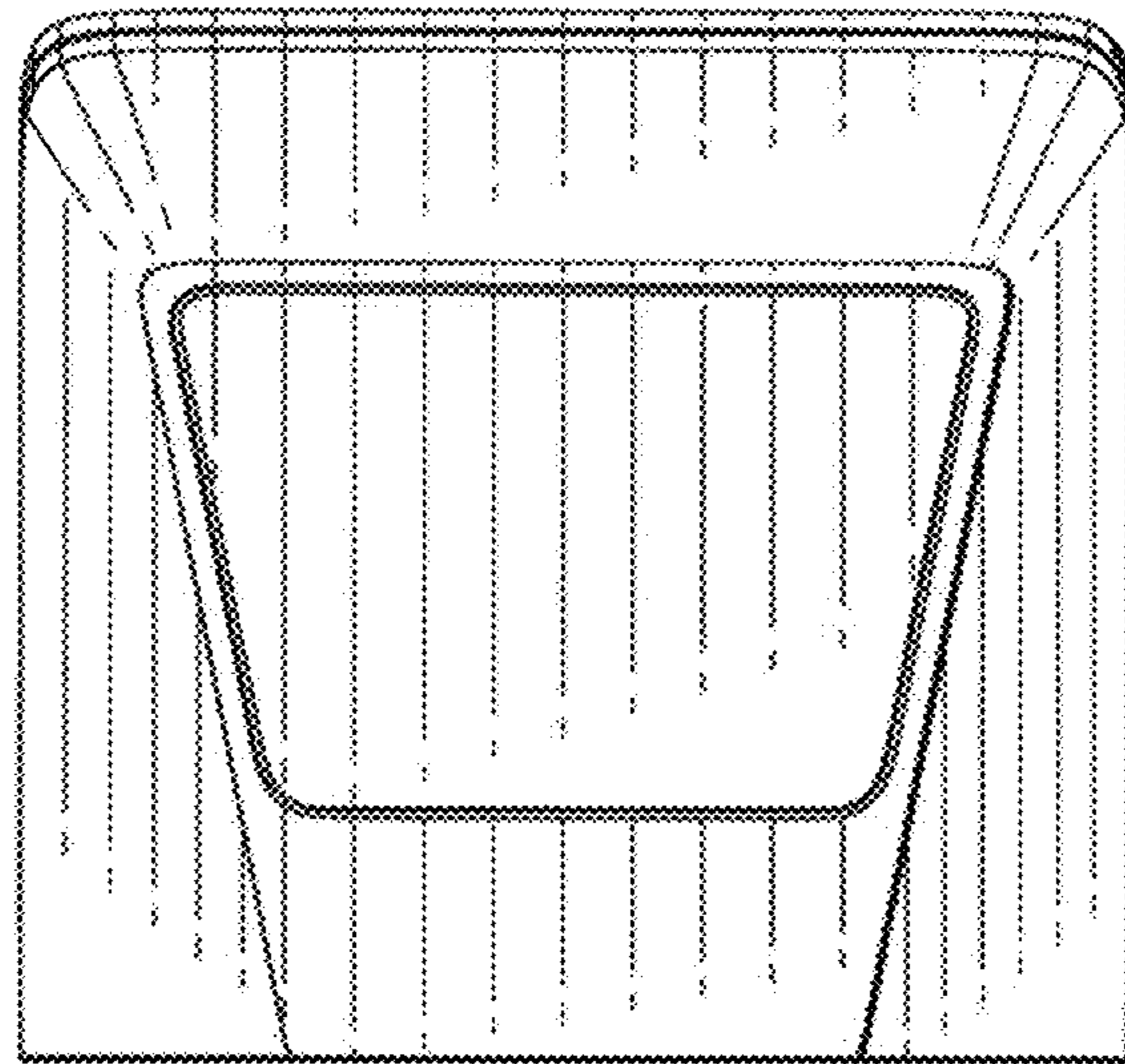


FIG. 4

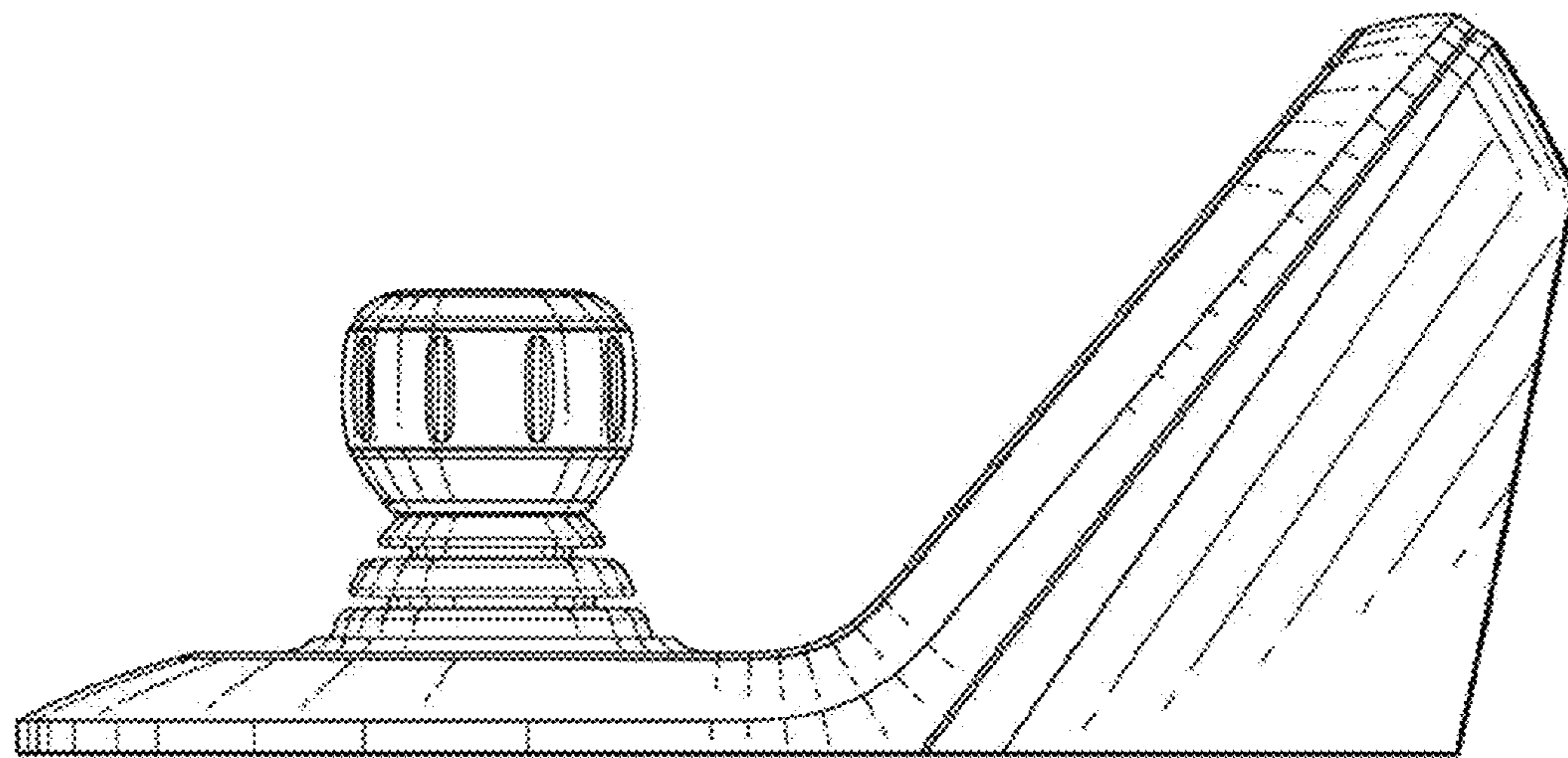


FIG. 5

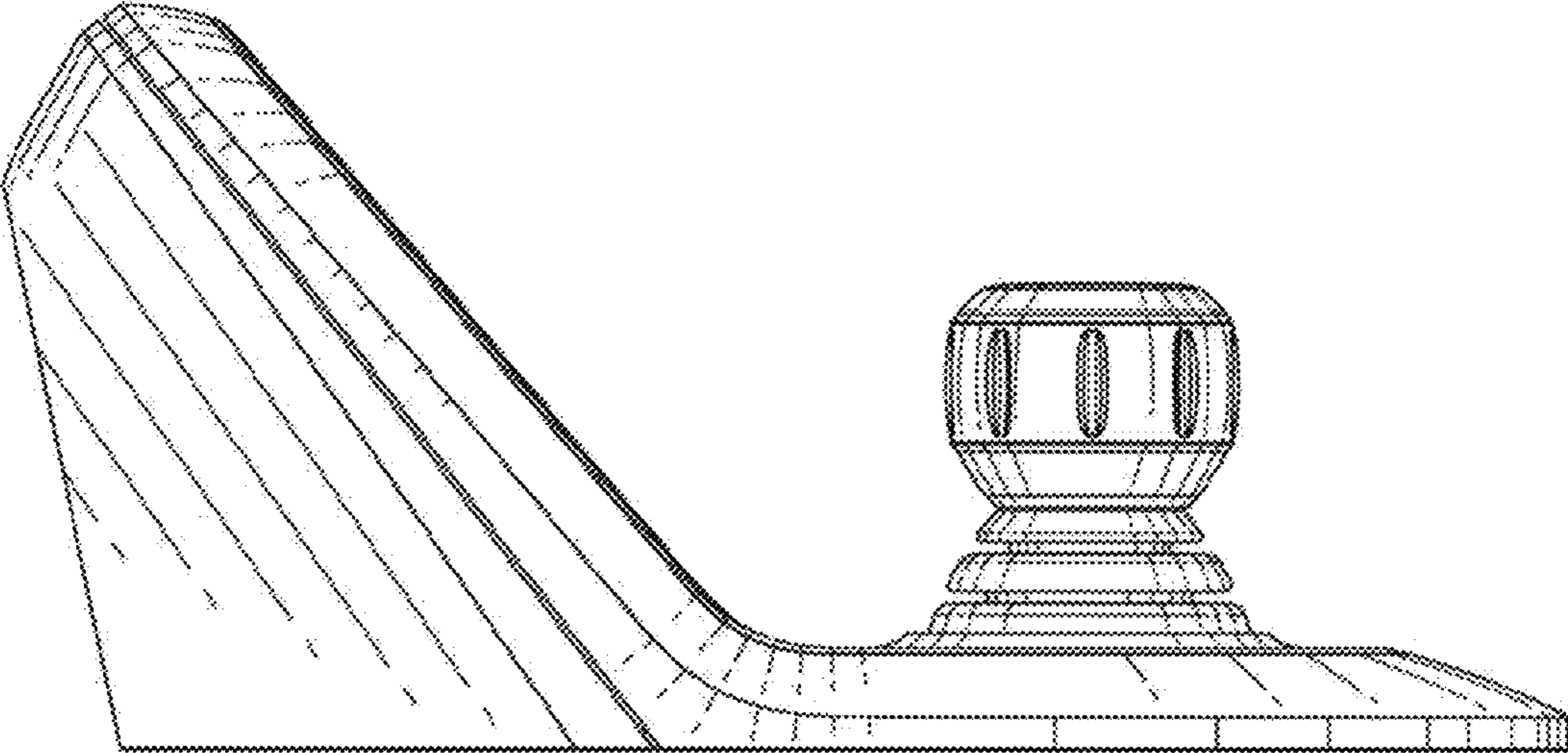


FIG. 6

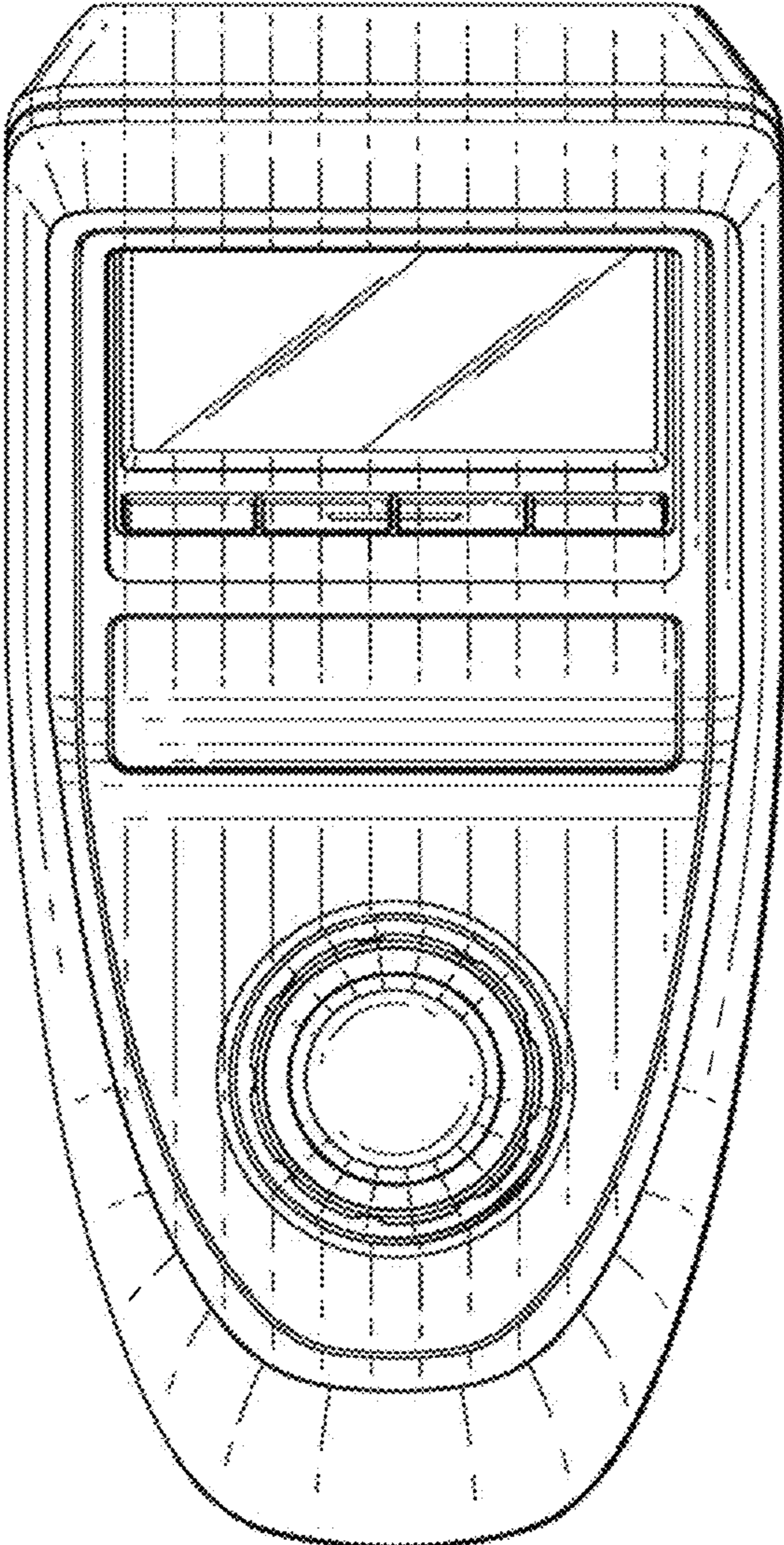


FIG. 7

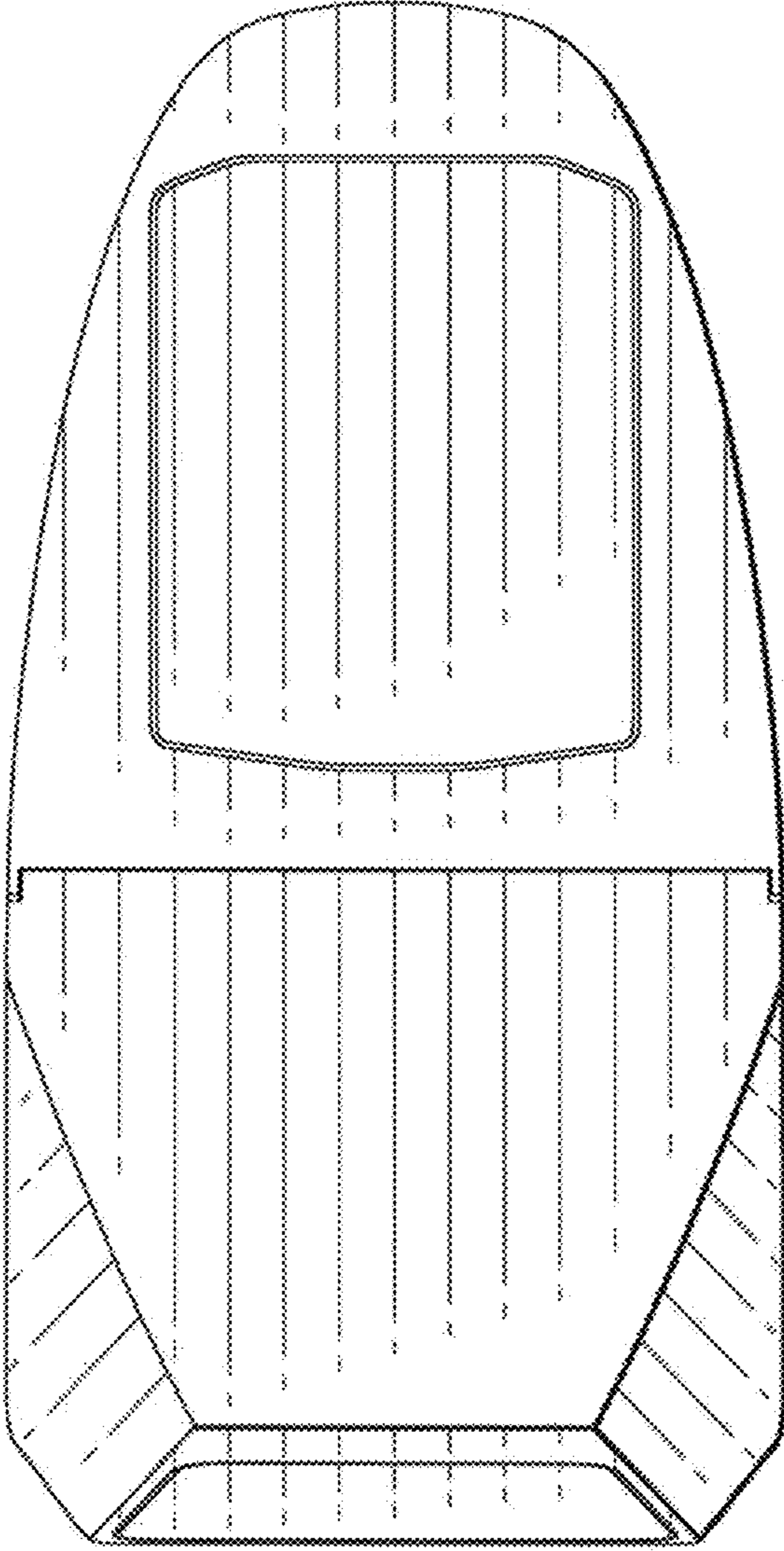


FIG. 8