



US00D750178S

(12) **United States Design Patent**
Seydoux et al.

(10) **Patent No.:** **US D750,178 S**
(45) **Date of Patent:** **** Feb. 23, 2016**

(54) **SUN CAP FOR A DIGITAL DEVICE**

9,049,846 B2 * 6/2015 Eason A01K 31/19

(71) Applicant: **PARROT**, Paris (FR)

* cited by examiner

(72) Inventors: **Henri Seydoux**, Paris (FR); **Edouard Simoens**, Paris (FR); **Arsène Ferrand**, Paris (FR)

Primary Examiner — Prabhakar Deshmukh

(74) *Attorney, Agent, or Firm* — Marshall, Gerstein & Borun LLP

(73) Assignee: **PARROT**, Paris (FR)

(**) Term: **14 Years**

(57) **CLAIM**

(21) Appl. No.: **29/507,852**

The ornamental design for a sun cap for a digital device, as shown and described.

(22) Filed: **Oct. 31, 2014**

DESCRIPTION

(30) **Foreign Application Priority Data**

Sep. 30, 2014 (EM) 002548248

(51) **LOC (10) Cl.** **21-01**

(52) **U.S. Cl.**

USPC **D21/333**; D14/217; D14/432

(58) **Field of Classification Search**

USPC D21/324, 328, 33, 658; D14/356, 432, D14/433, 440, 496, 511, 217, 250; 273/148 B; 463/1, 35-41, 46, 47; D8/346

CPC A63F 9/00; A63F 11/00; A63F 13/02

See application file for complete search history.

FIG. 1 is a front, left and top perspective view of sun cap for a digital device showing our new design;

FIG. 2 is a front, left and top perspective view thereof, shown connected with a digital device in its environmental use;

FIG. 3 is a front elevational view of FIG. 1;

FIG. 4 is a rear elevational view of FIG. 1;

FIG. 5 is a top plan view of FIG. 1;

FIG. 6 is a bottom plan view of FIG. 1;

FIG. 7 is a front, left and top perspective view thereof, shown as connected with a digital device which is mounted on remote control unit in its additional environmental use;

FIG. 8 is a rear, right and top perspective of FIG. 1, shown as covered with an optional cover as in its another environmental use;

FIG. 9 is a perspective view similar to FIG. 8, shown as connected with a digital device;

FIG. 10 is a perspective view similar to FIG. 8, shown as connected with a digital device which is mounted on remote control unit in its another environmental use;

FIG. 11 is a right side elevational view of FIG. 8; and,

FIG. 12 is a top plan view of FIG. 8.

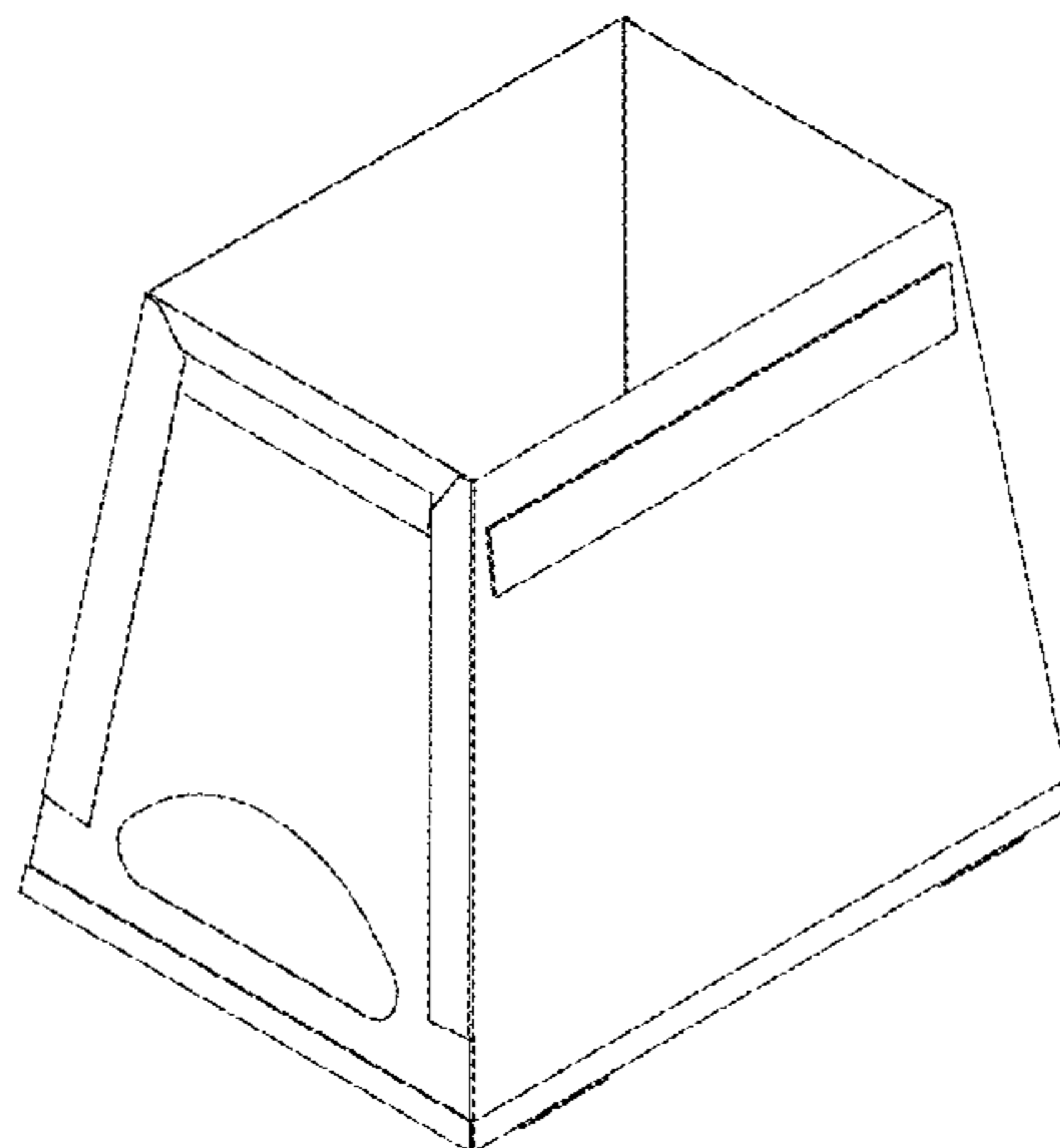
FIGS. 2 and 9 disclose the sun cap connected with a digital device, while FIGS. 7 and 10 disclose an additional remote control unit along with a digital device, both indicating the environmental use of a sun cap disclosed in FIG. 1. All broken lines indicating environment form no part of the claimed design.

(56) **References Cited**

U.S. PATENT DOCUMENTS

D338,392 S *	8/1993	McKernan	D8/343
5,501,458 A *	3/1996	Mallory	A63F 13/08 273/148 B
6,932,341 B1 *	8/2005	Kenyon	A63F 13/02 273/148 B
6,944,011 B2 *	9/2005	Krajecki	H05K 5/0217 211/126.15
7,046,508 B2 *	5/2006	Lin	A63F 13/02 273/148 B
D672,220 S *	12/2012	Womacks	D8/346
8,568,241 B2 *	10/2013	Bailey	A63F 13/02 206/320
D706,783 S *	6/2014	Almodova	D14/440
8,839,540 B2 *	9/2014	Gordon	H05K 5/0239 150/165

1 Claim, 12 Drawing Sheets



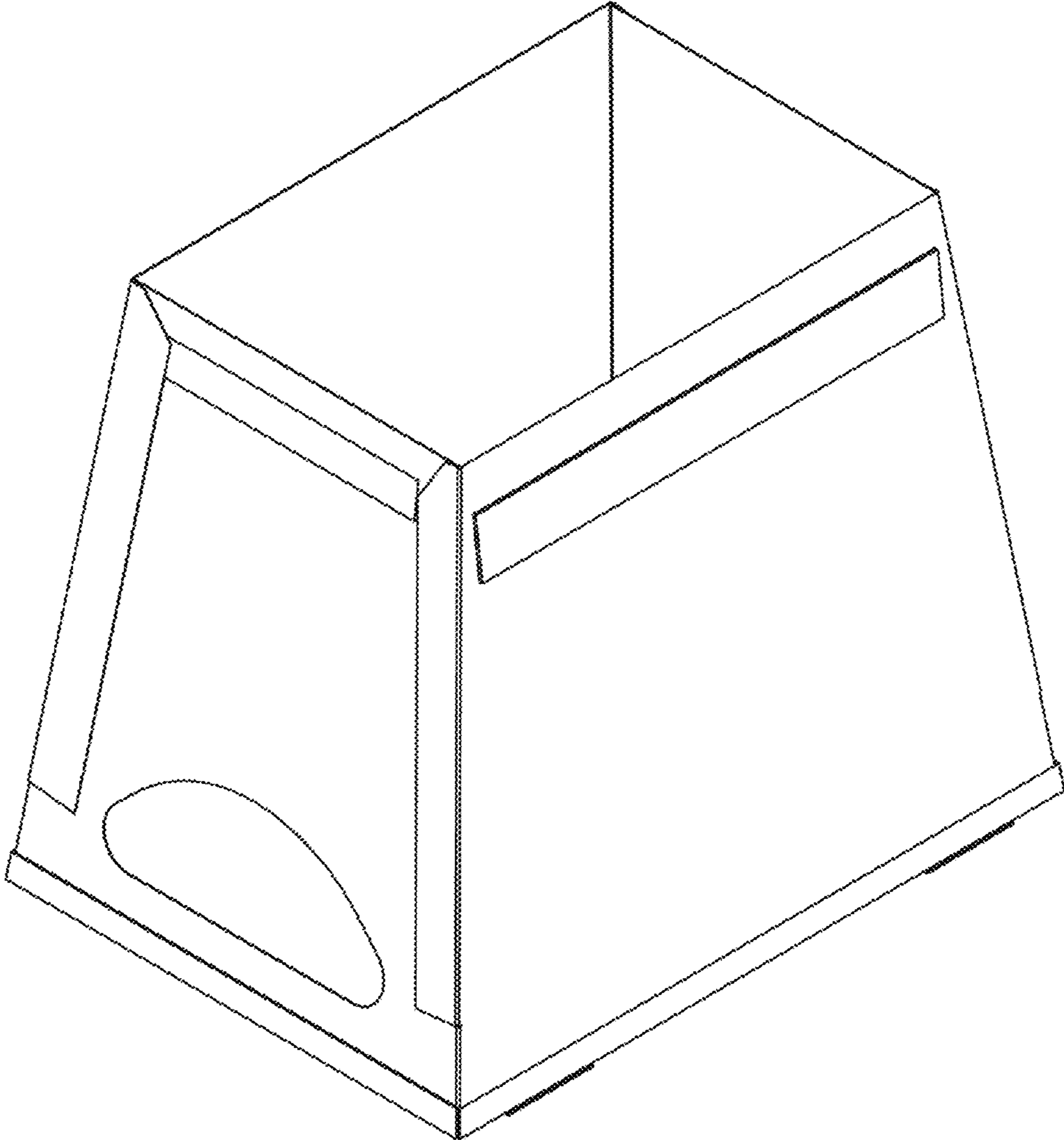


Fig. 1

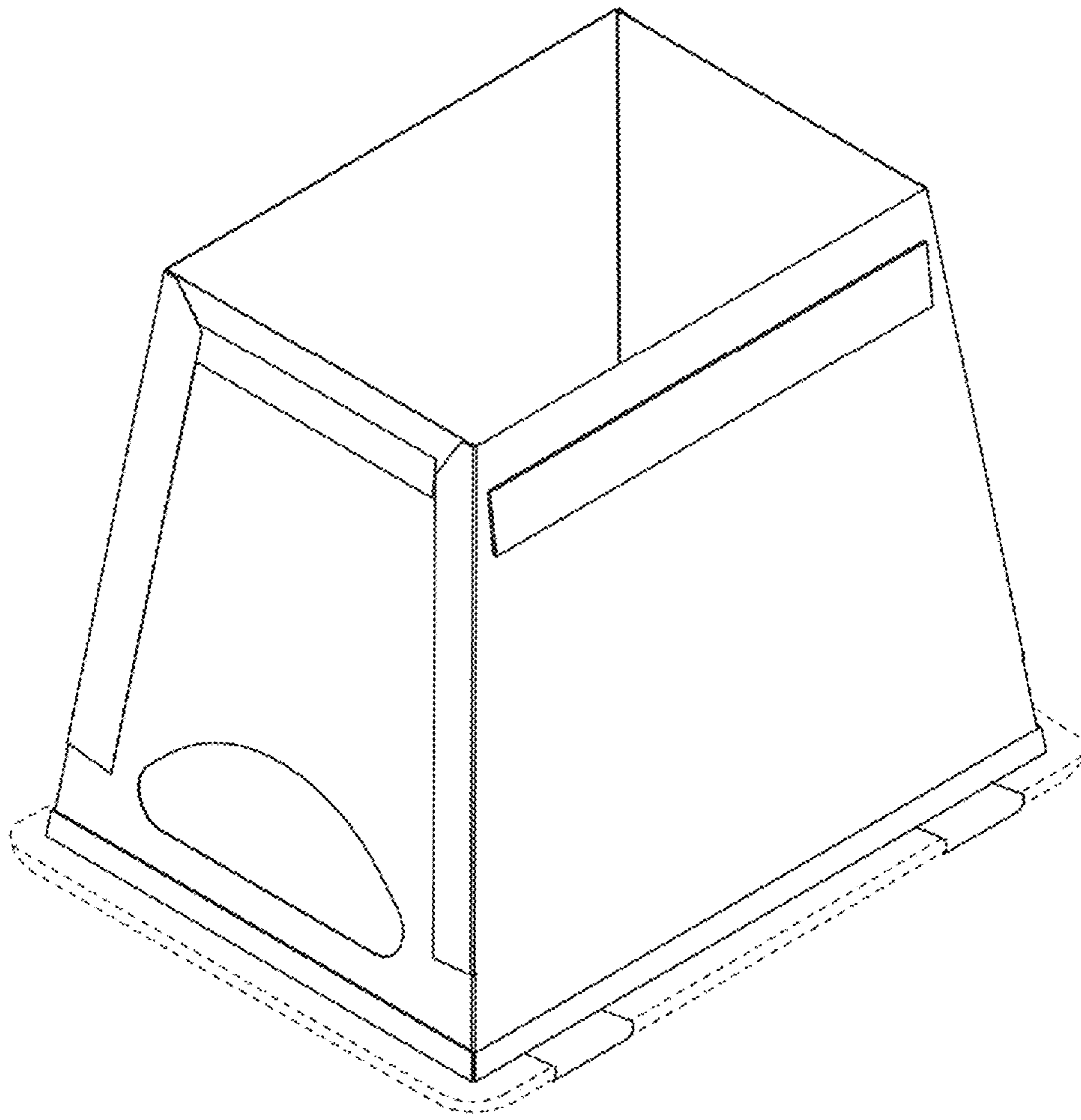


Fig. 2

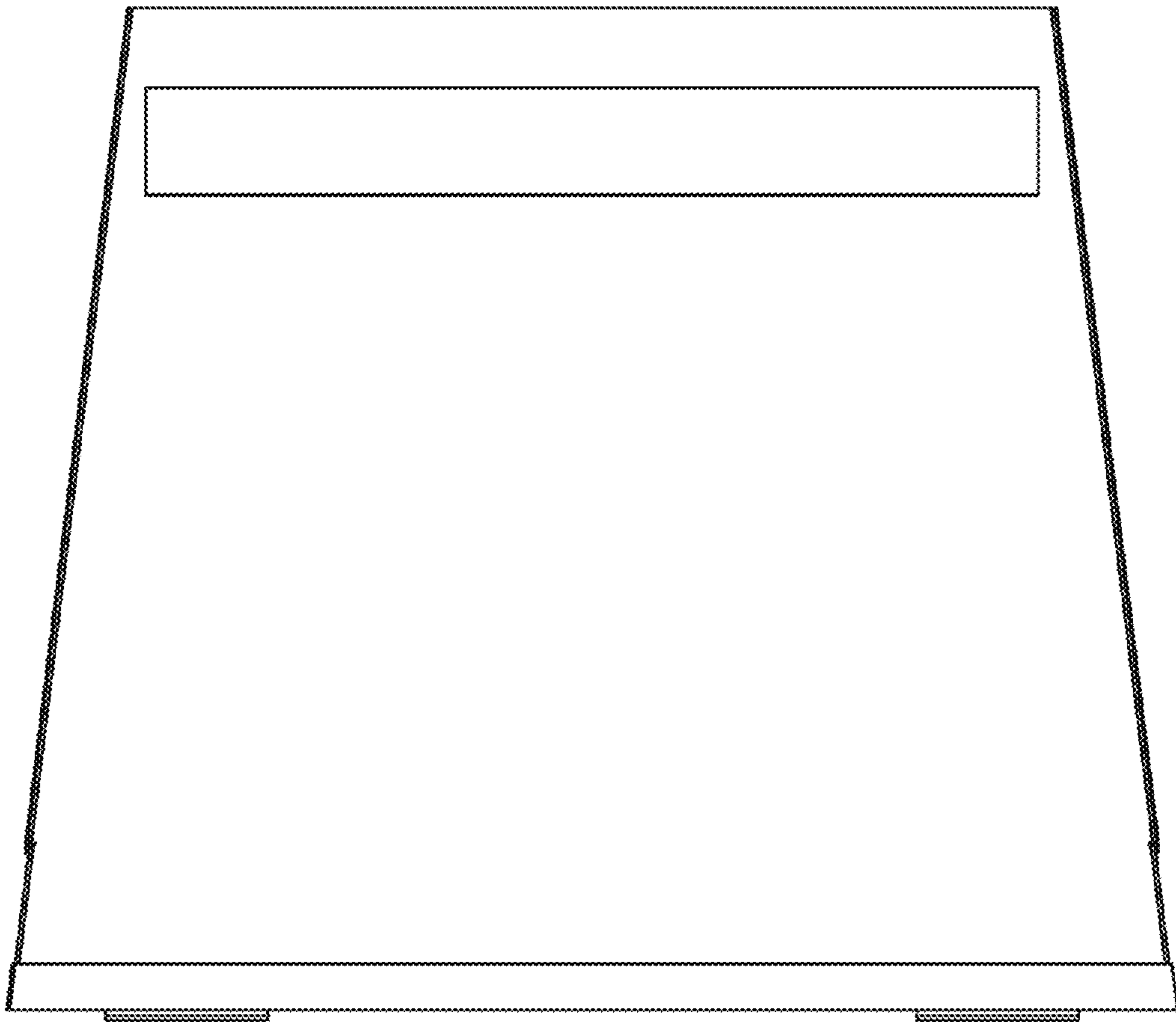


Fig. 3

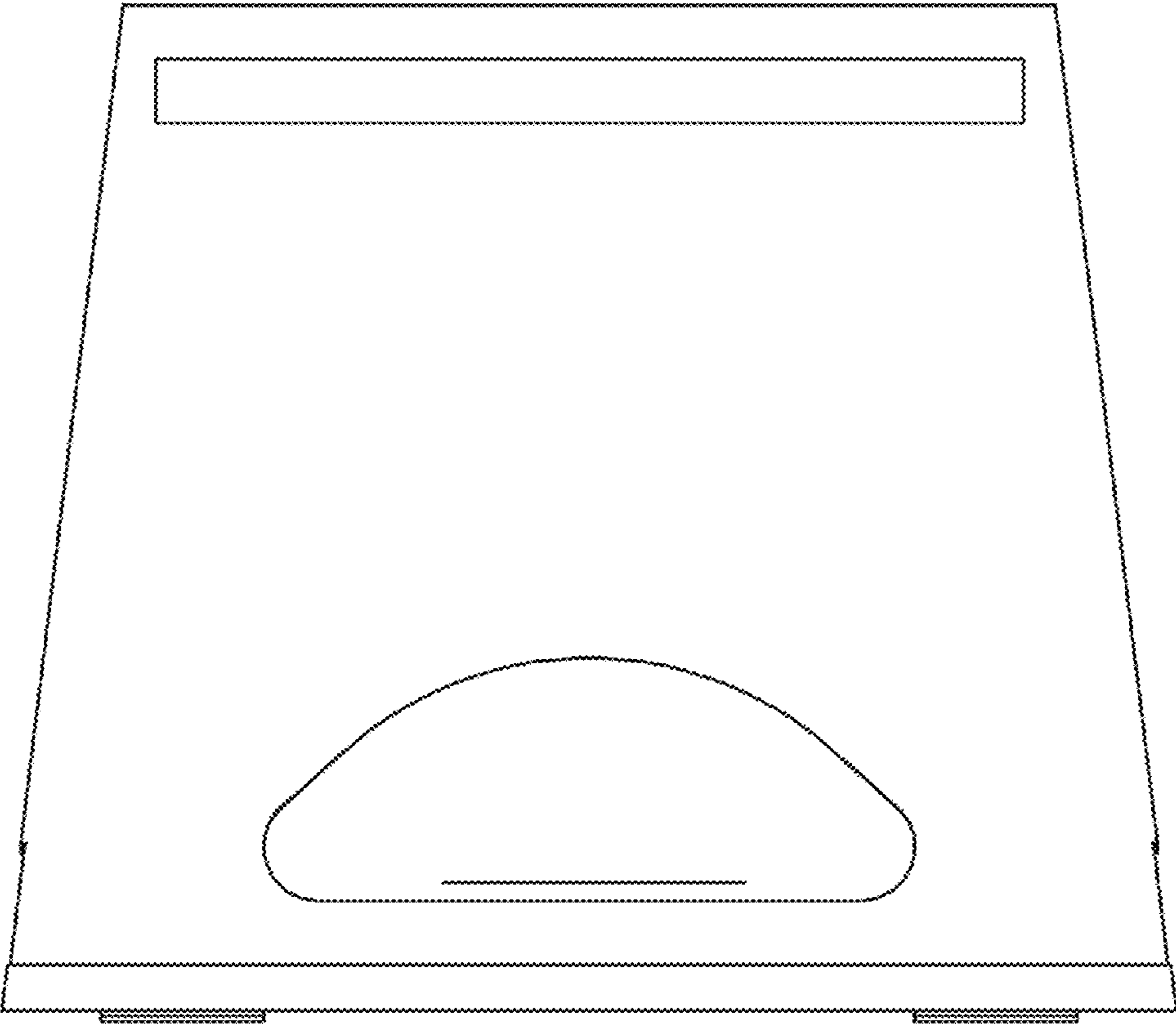


Fig. 4

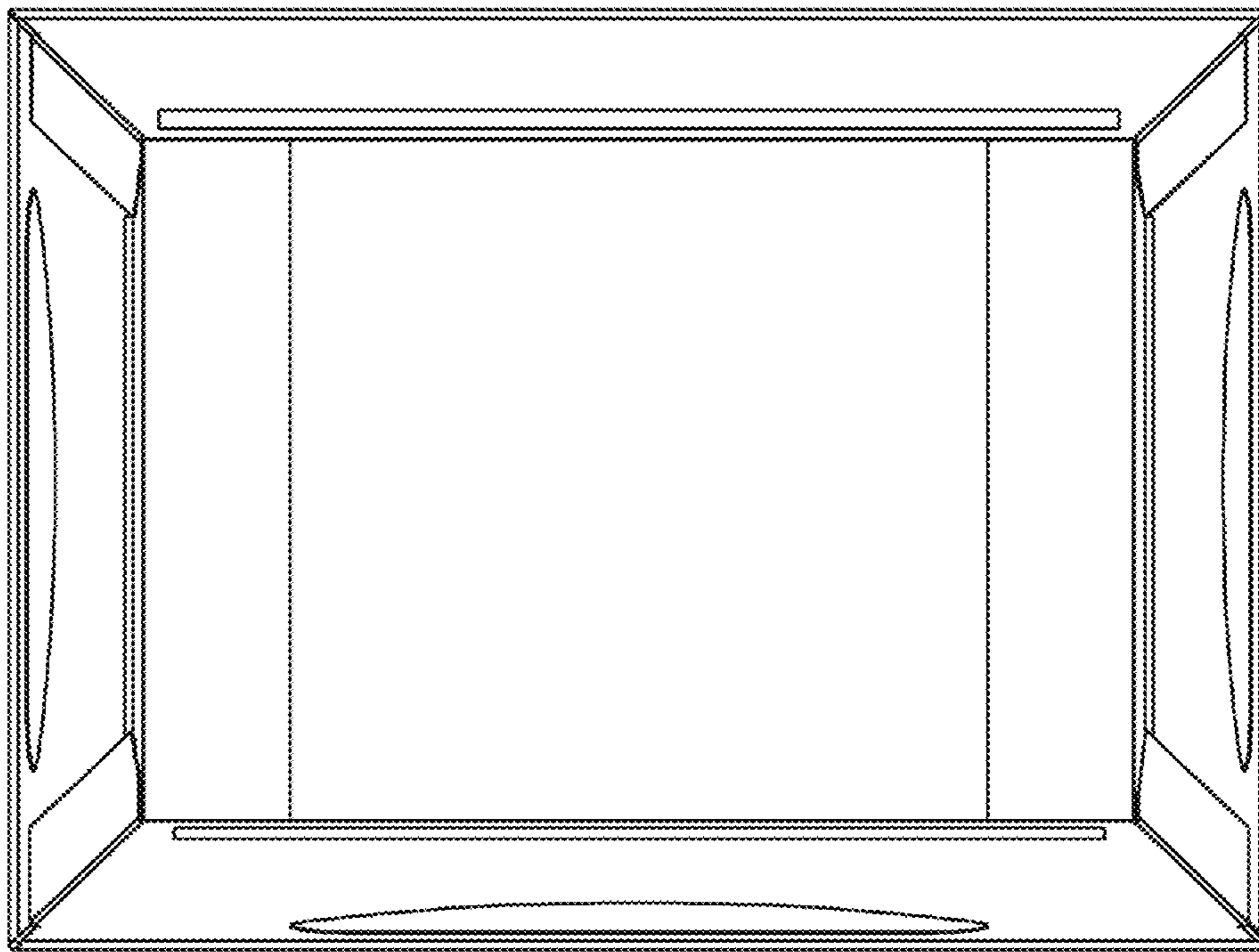


Fig. 5

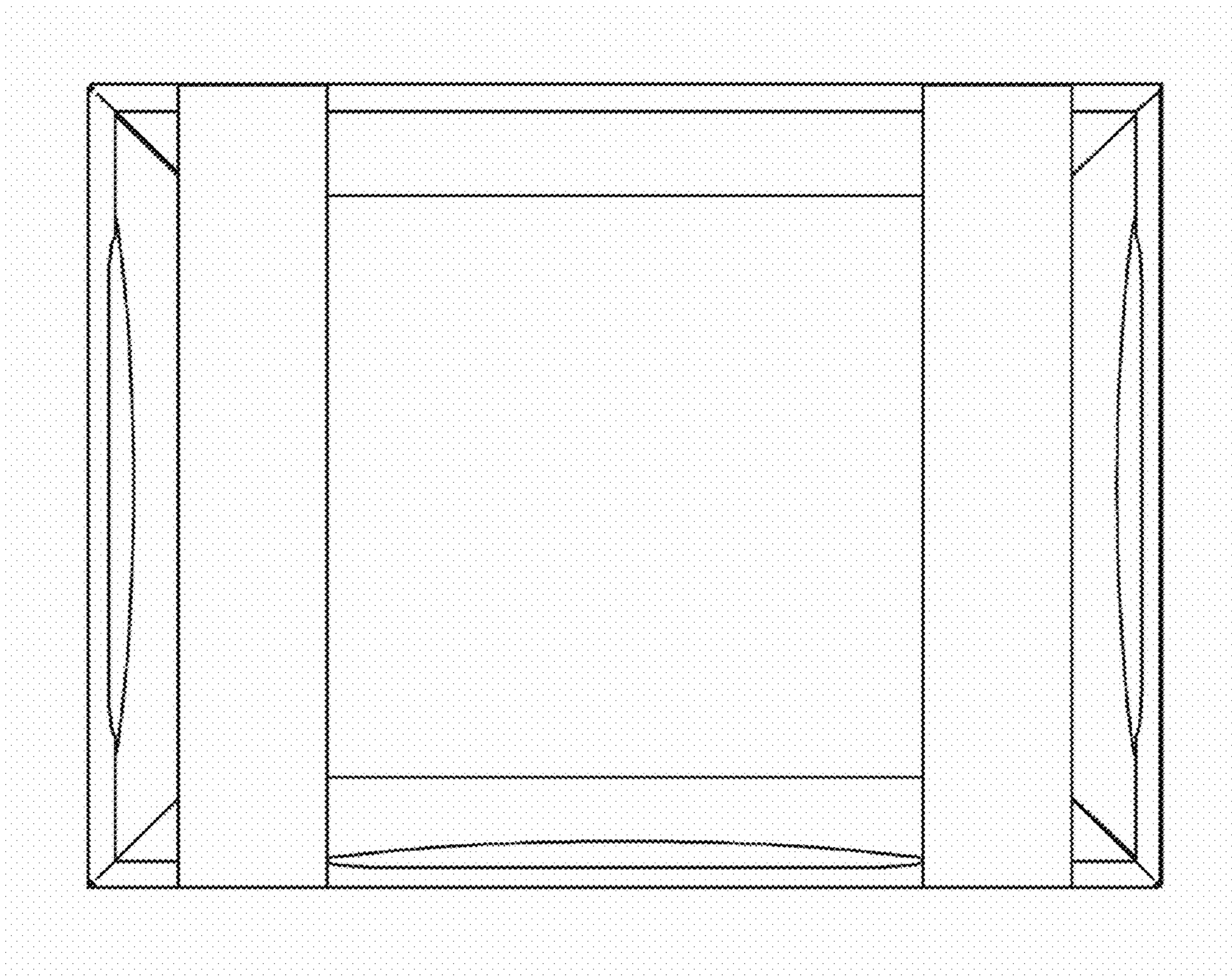


Fig. 6

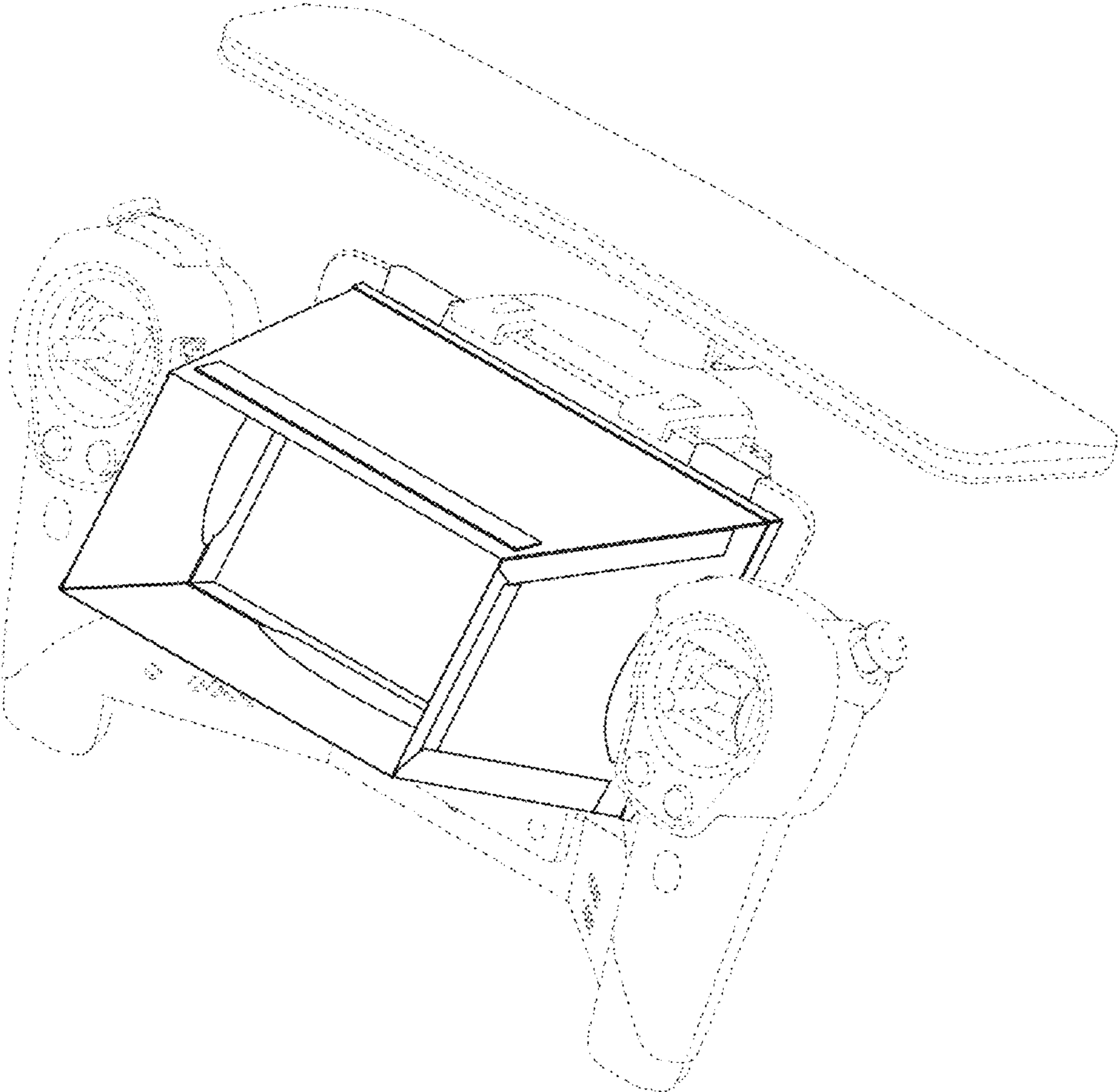


Fig 7

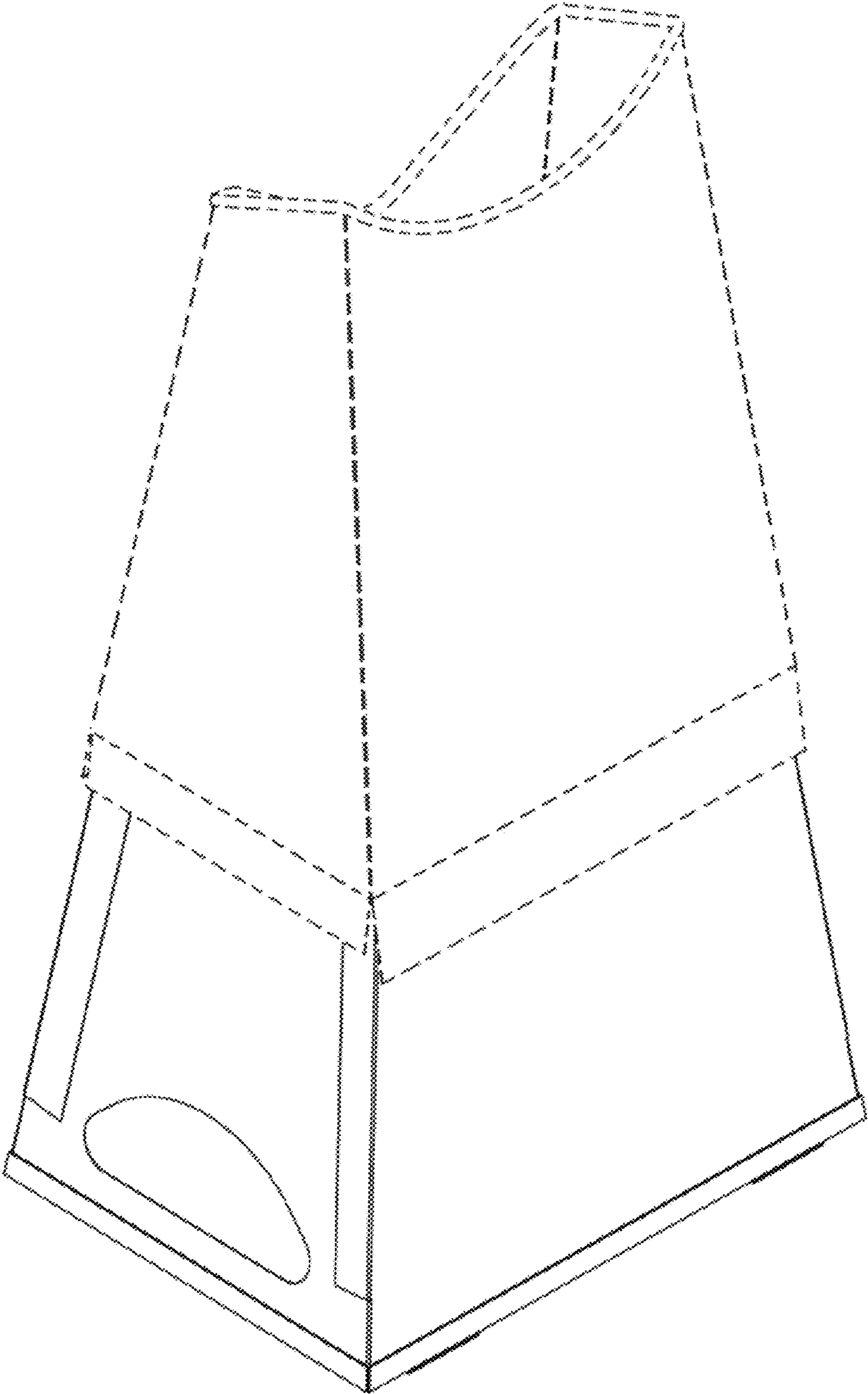


Fig. 8

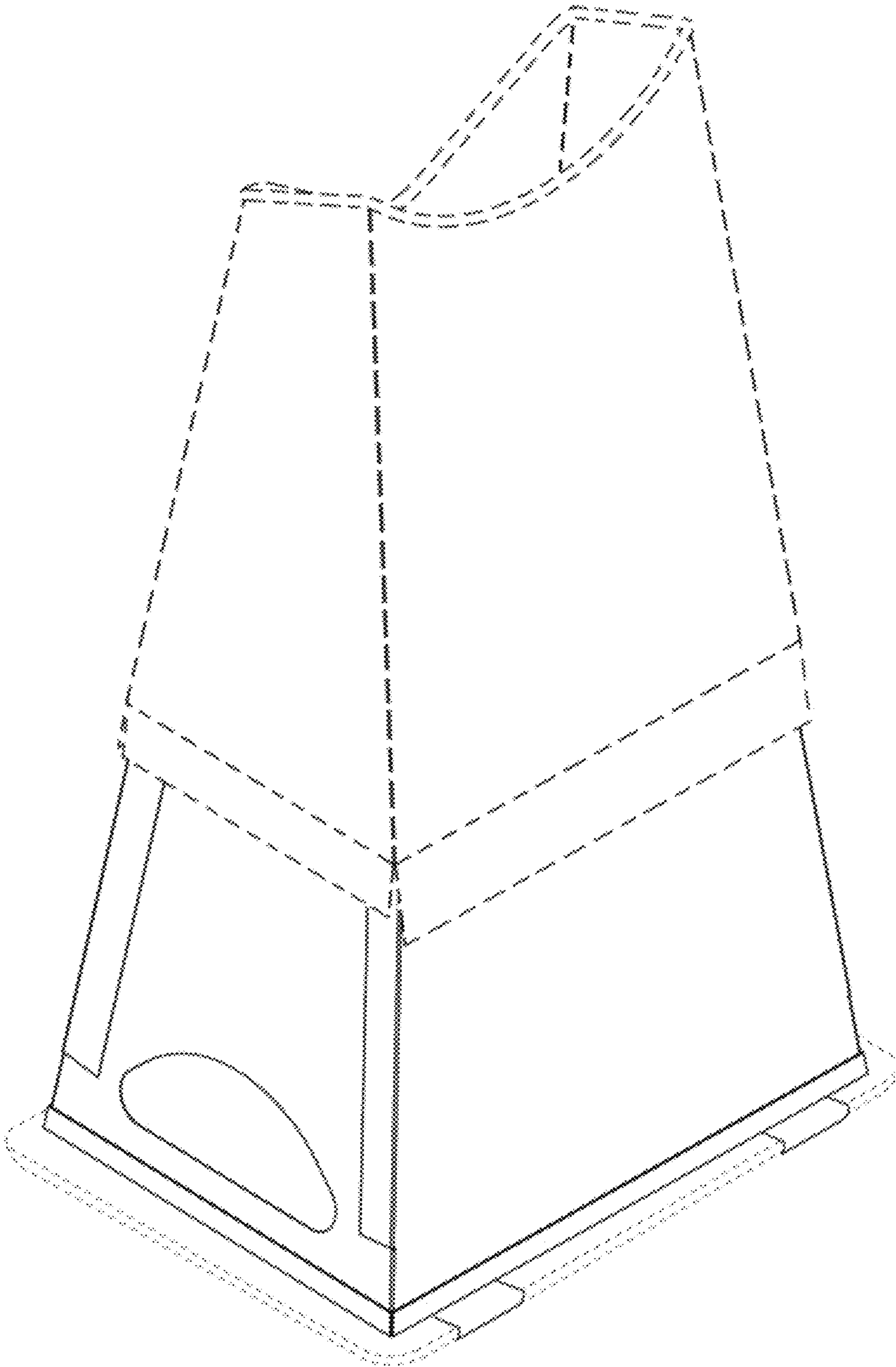


Fig. 9

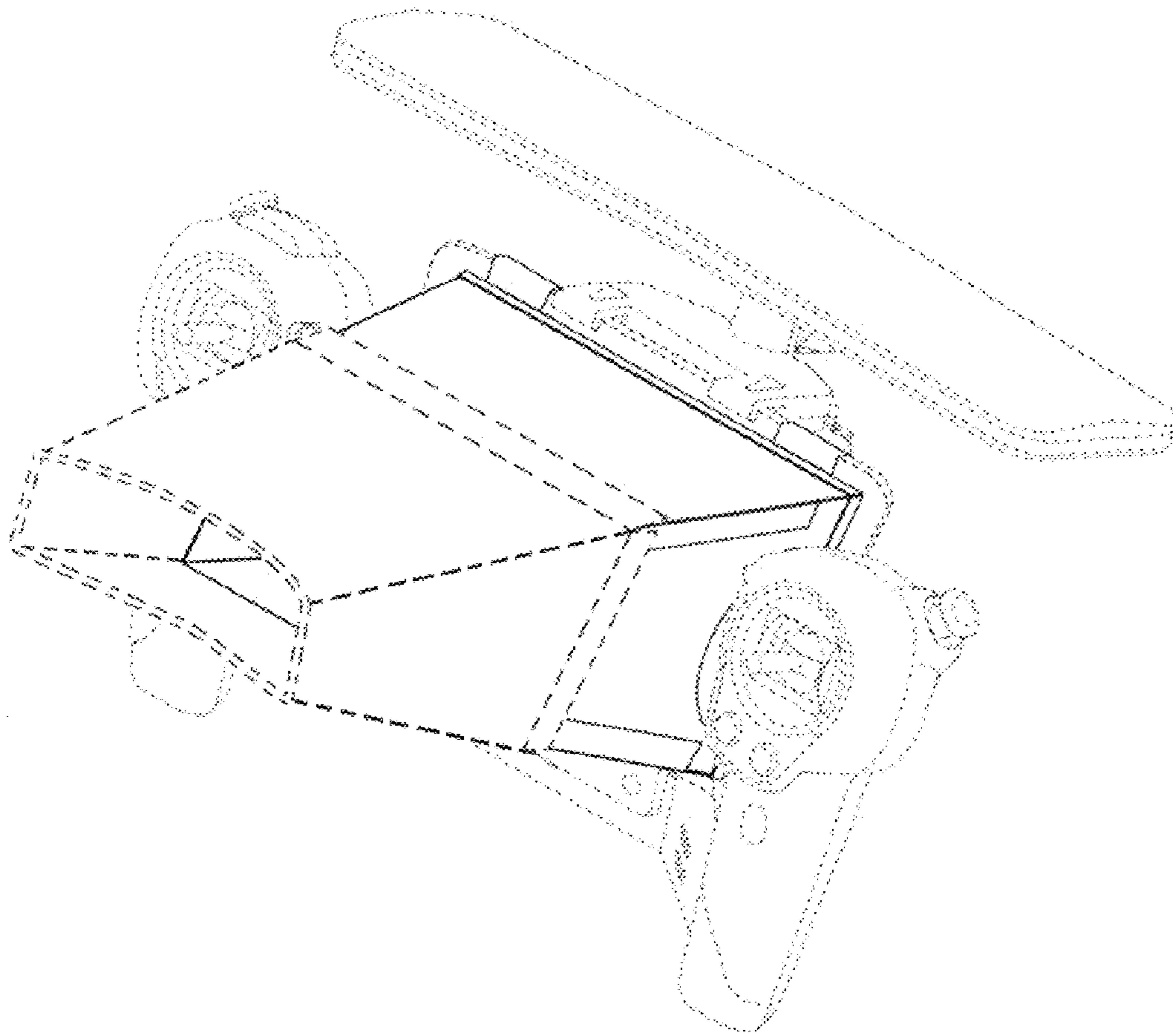


Fig. 10

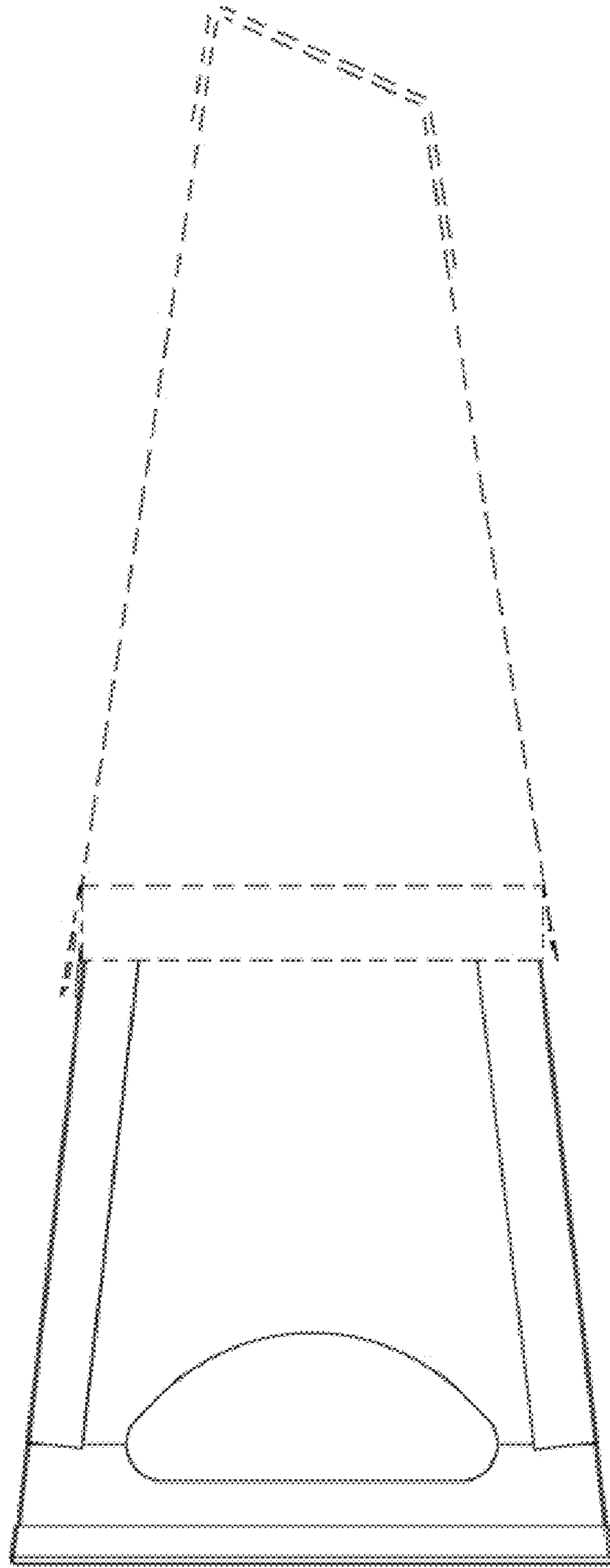


Fig. 11

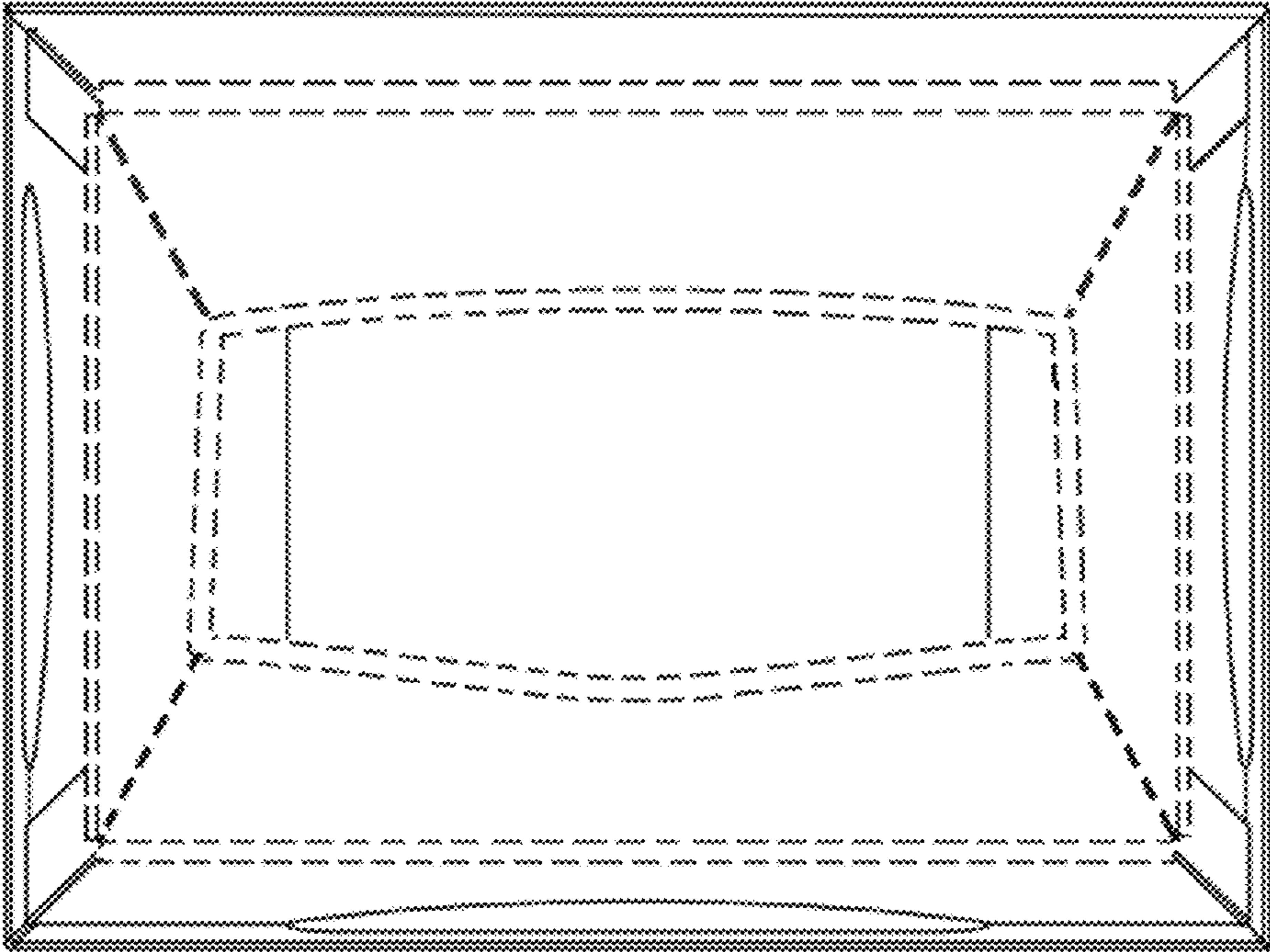


Fig. 12