



US00D750177S

(12) **United States Design Patent**
Norman et al.

(10) **Patent No.:** **US D750,177 S**

(45) **Date of Patent:** **** *Feb. 23, 2016**

(54) **CONTROLLER HOUSING FOR A CONSTRUCTION KIT**

(71) Applicant: **Innovation First, Inc.**, Greenville, TX (US)

(72) Inventors: **David Anthony Norman**, Greenville, TX (US); **Robert H. Mimplitch, III**, Rowlett, TX (US); **Raul Olivera**, Greenville, TX (US); **Douglas Michael Galletti**, Allen, TX (US); **Gregory James Lavender**, Rockwell, TX (US); **Jeffrey Russel Waegelin**, Rockwell, TX (US); **James Anthony Trzaskos**, Greenville, TX (US); **Kelvin Gunnar Frank**, Greenville, TX (US); **Jason Alan Weihman**, Greenville, TX (US); **Thomas Charles Glick**, Greenville, TX (US); **Arthur Philip Dutra, IV**, Greenville, TX (US); **John Edward Vielkind-Neun**, Greenville, TX (US); **Paul David Copioli**, Rockwell, TX (US)

(73) Assignee: **Innovation First, Inc.**, Greenville, TX (US)

(*) Notice: This patent is subject to a terminal disclaimer.

(**) Term: **14 Years**

(21) Appl. No.: **29/488,409**

(22) Filed: **Apr. 18, 2014**

(51) **LOC (10) Cl.** **21-01**

(52) **U.S. Cl.**
USPC **D21/333; D14/401**

(58) **Field of Classification Search**

USPC D14/399-401, 412-416, 217, 496; D21/324, 333, 328; 273/148 B; 463/1, 463/29-39, 46, 47; 345/156-161, 905, 30
CPC A63F 3/00; A63F 7/00; A63F 9/24
See application file for complete search history.

(56) **References Cited**

U.S. PATENT DOCUMENTS

5,207,426	A *	5/1993	Inoue et al.	463/36
5,643,087	A *	7/1997	Marcus et al.	463/38
5,785,317	A *	7/1998	Sasaki	273/148 B
D568,883	S *	5/2008	Ashida et al.	D14/400
7,499,284	B2 *	3/2009	Kawanobe et al.	361/752
D697,140	S *	1/2014	Baum	D21/333
D700,182	S *	2/2014	Kidakarn	D14/401
D702,182	S *	4/2014	Druker et al.	D13/110
D709,882	S *	7/2014	Morris et al.	D14/401
D715,362	S *	10/2014	He	D21/333

* cited by examiner

Primary Examiner — Prabhakar Deshmukh

(74) *Attorney, Agent, or Firm* — Adam K. Sacharoff; Much Shelist

(57) **CLAIM**

The ornamental design for a controller housing for a construction kit, as shown and described.

DESCRIPTION

FIG. 1 is a top front perspective view of a controller housing for a construction kit showing our new design; FIG. 2 is a top rear perspective view of FIG. 1; FIG. 3 is a bottom rear perspective view of FIG. 1; FIG. 4 is a right side view of FIG. 1; FIG. 5 is a left side view of FIG. 1; FIG. 6 is front side view of FIG. 1; FIG. 7 is a rear side view of FIG. 1; FIG. 8 is a top side view of FIG. 1; and, FIG. 9 is a bottom side view of FIG. 1.

1 Claim, 9 Drawing Sheets

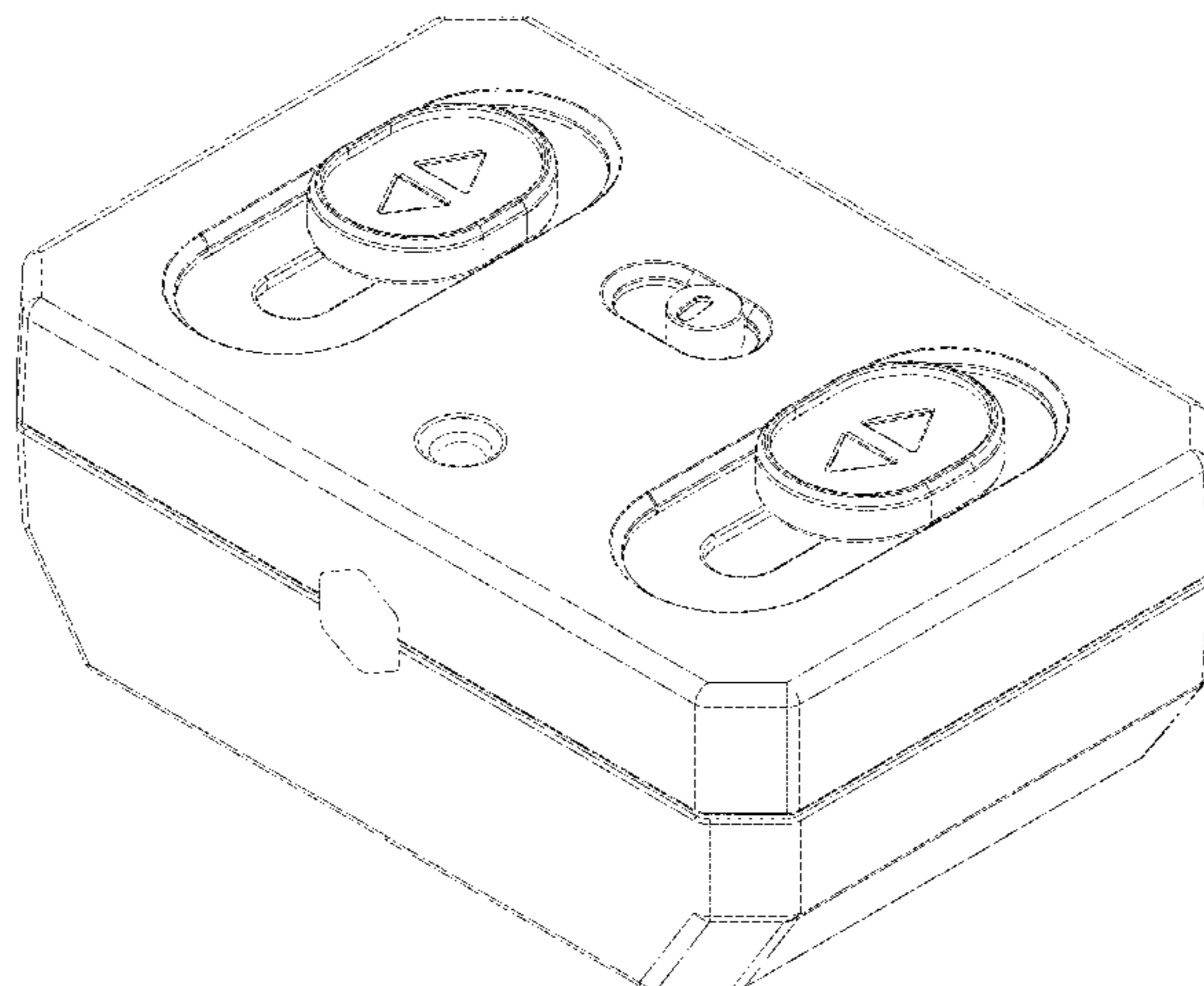


FIGURE 1

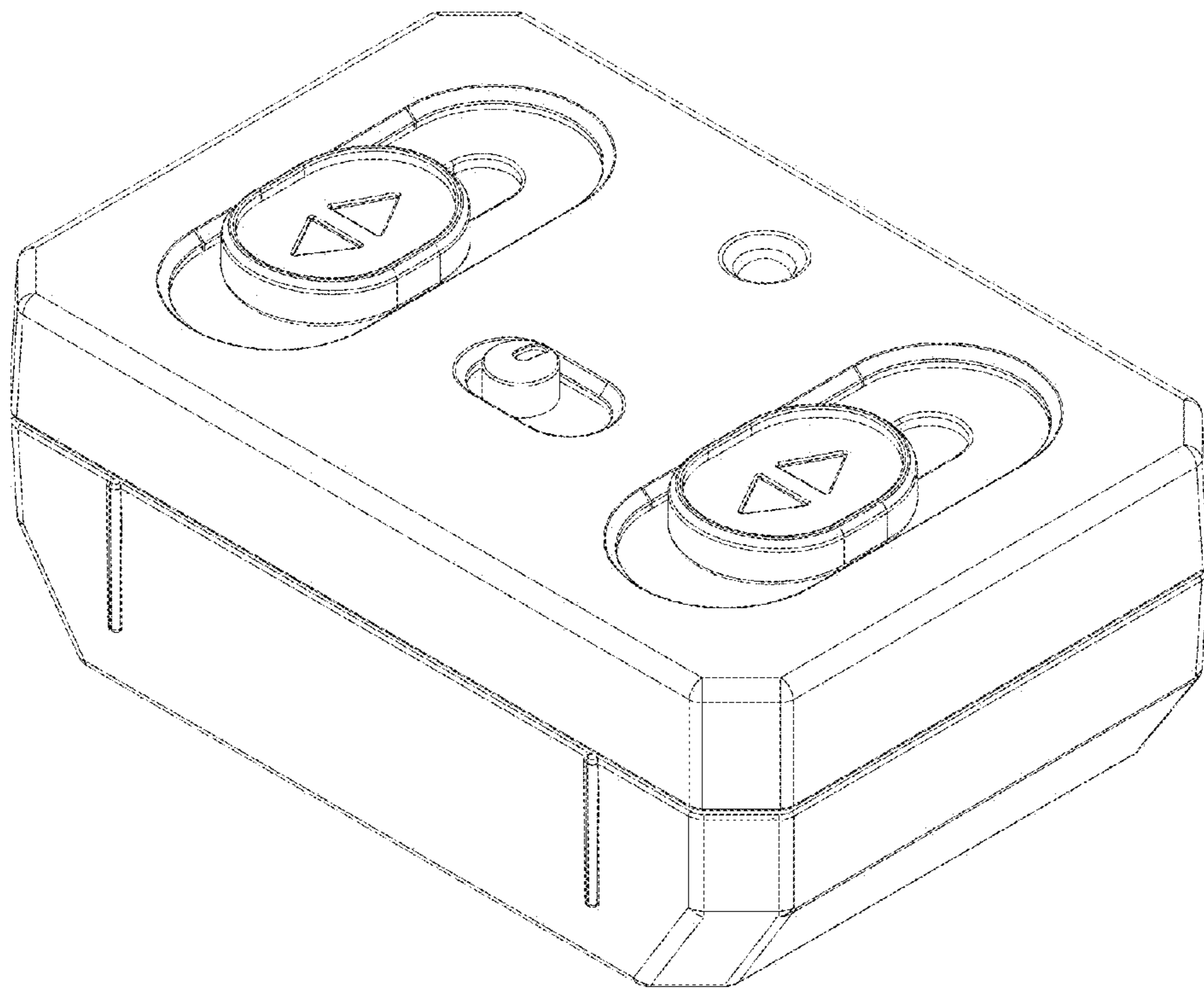


FIGURE 2

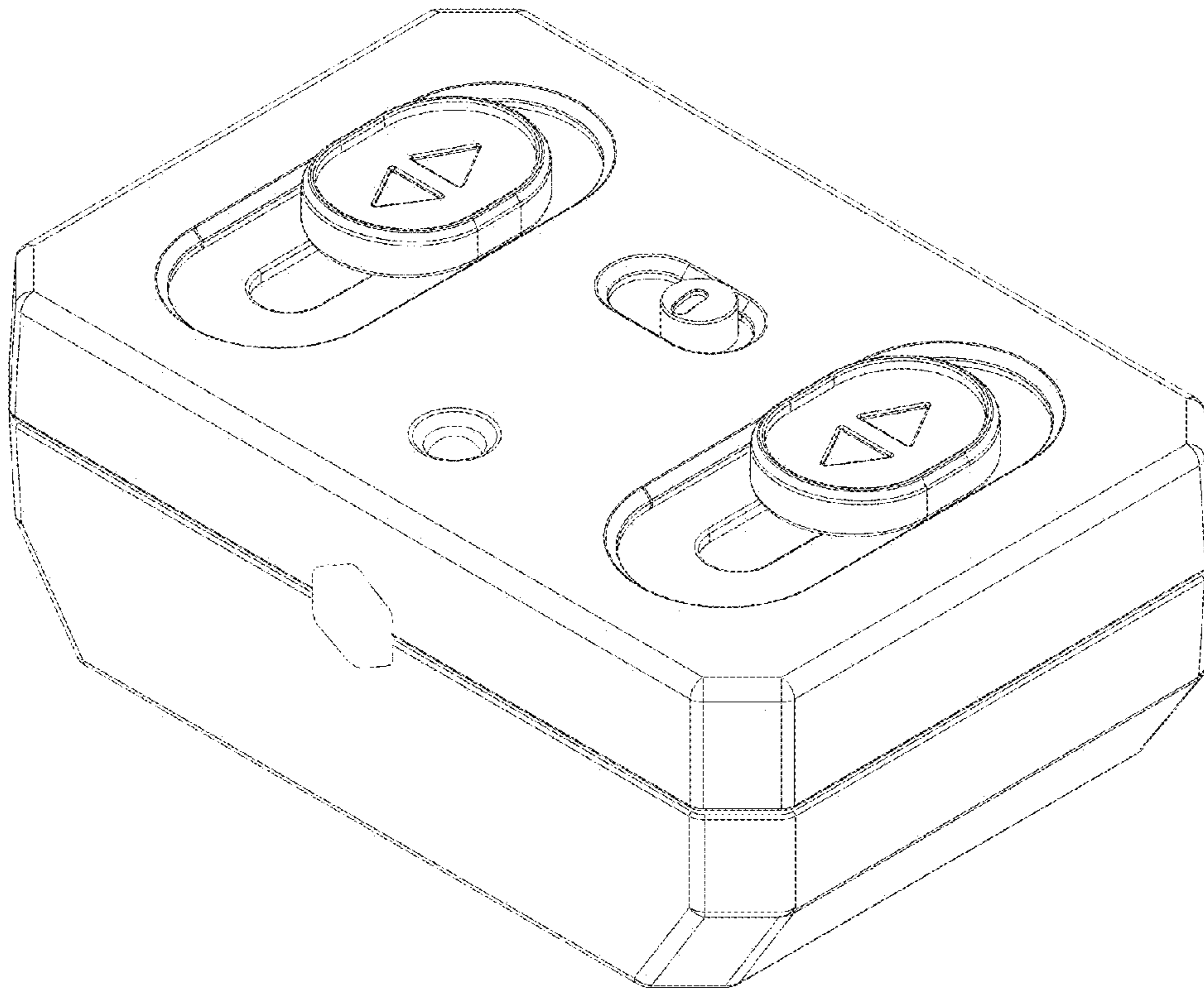


FIGURE 3

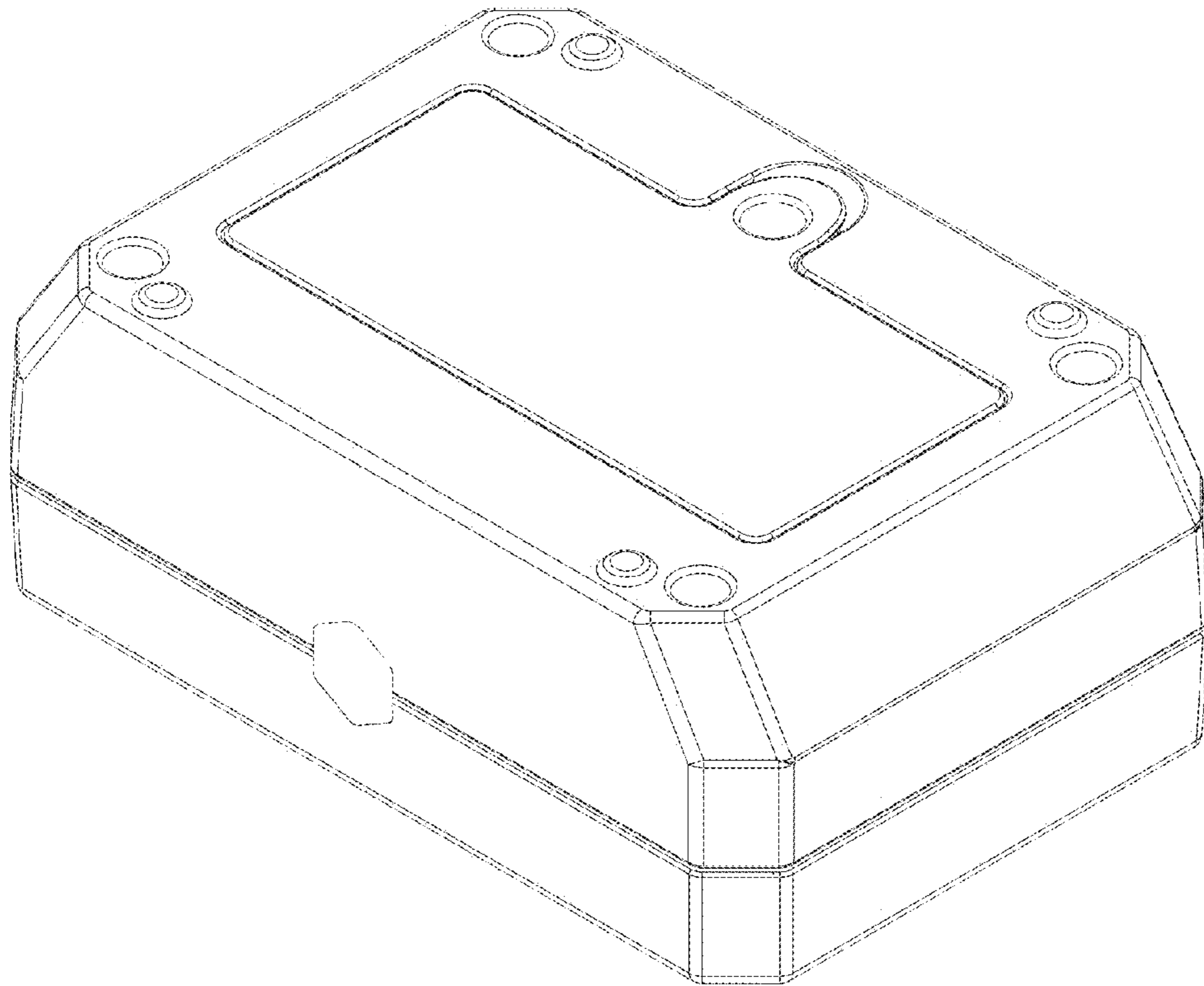


FIGURE 4

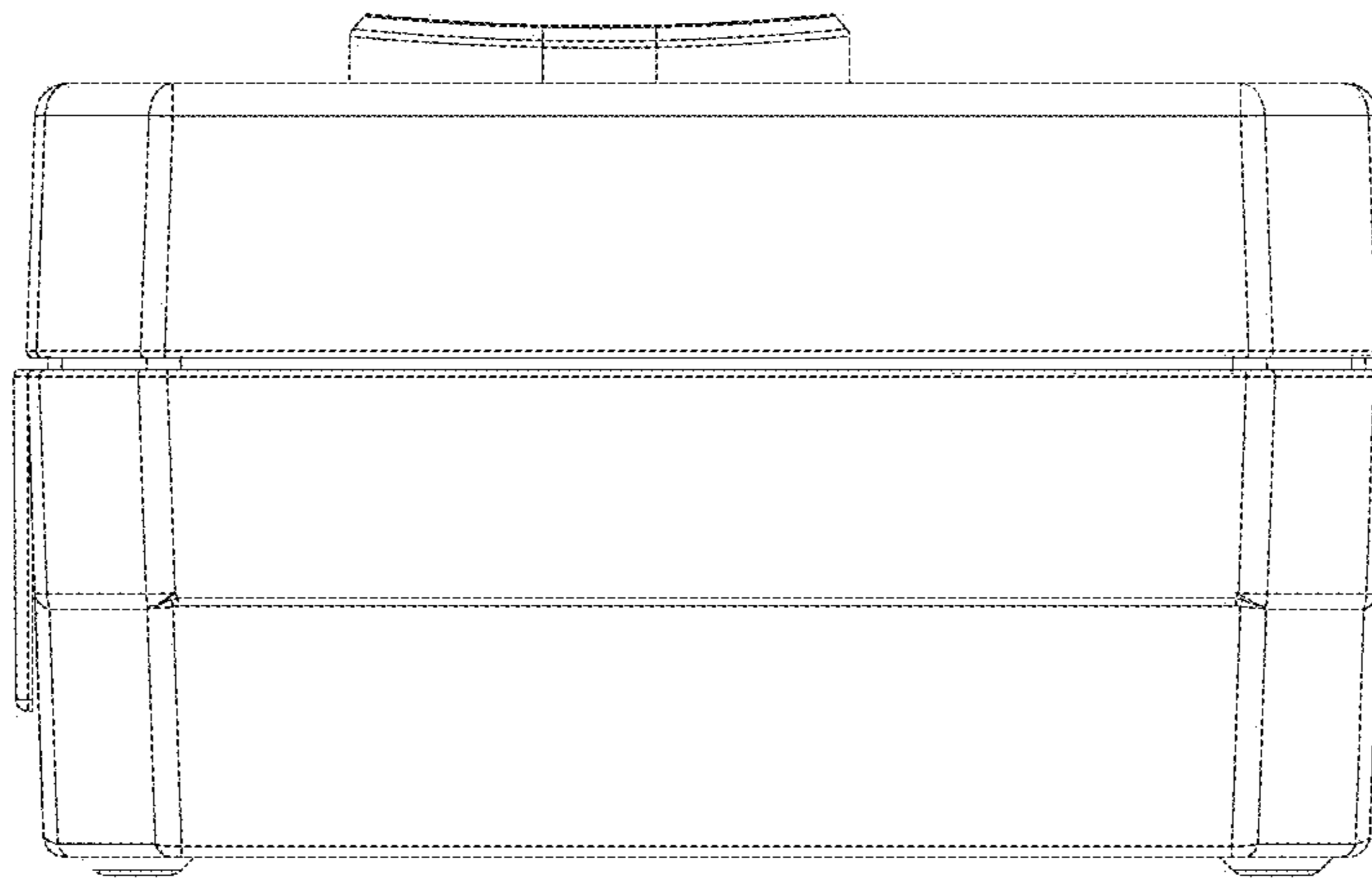


FIGURE 5

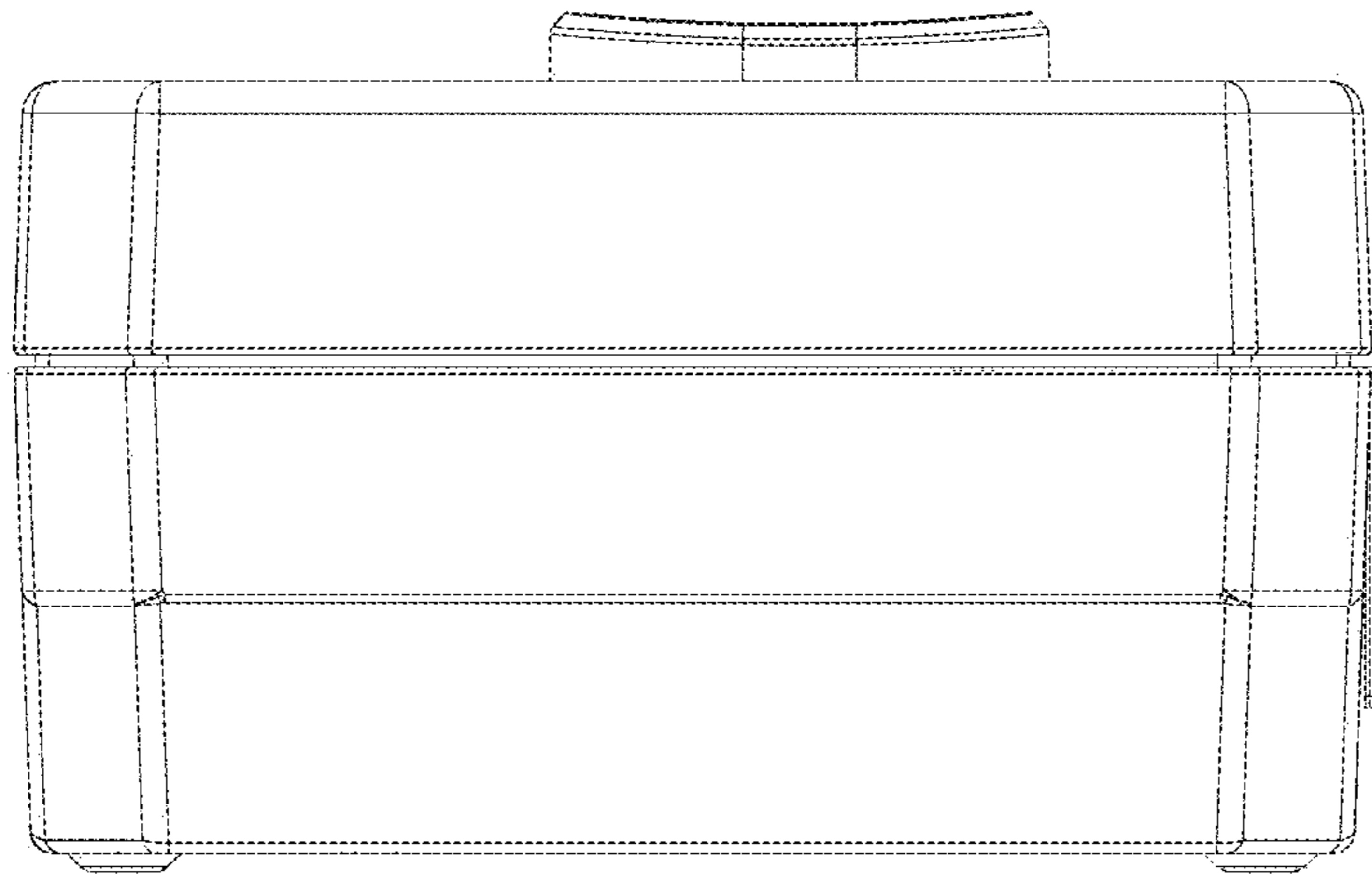


FIGURE 6

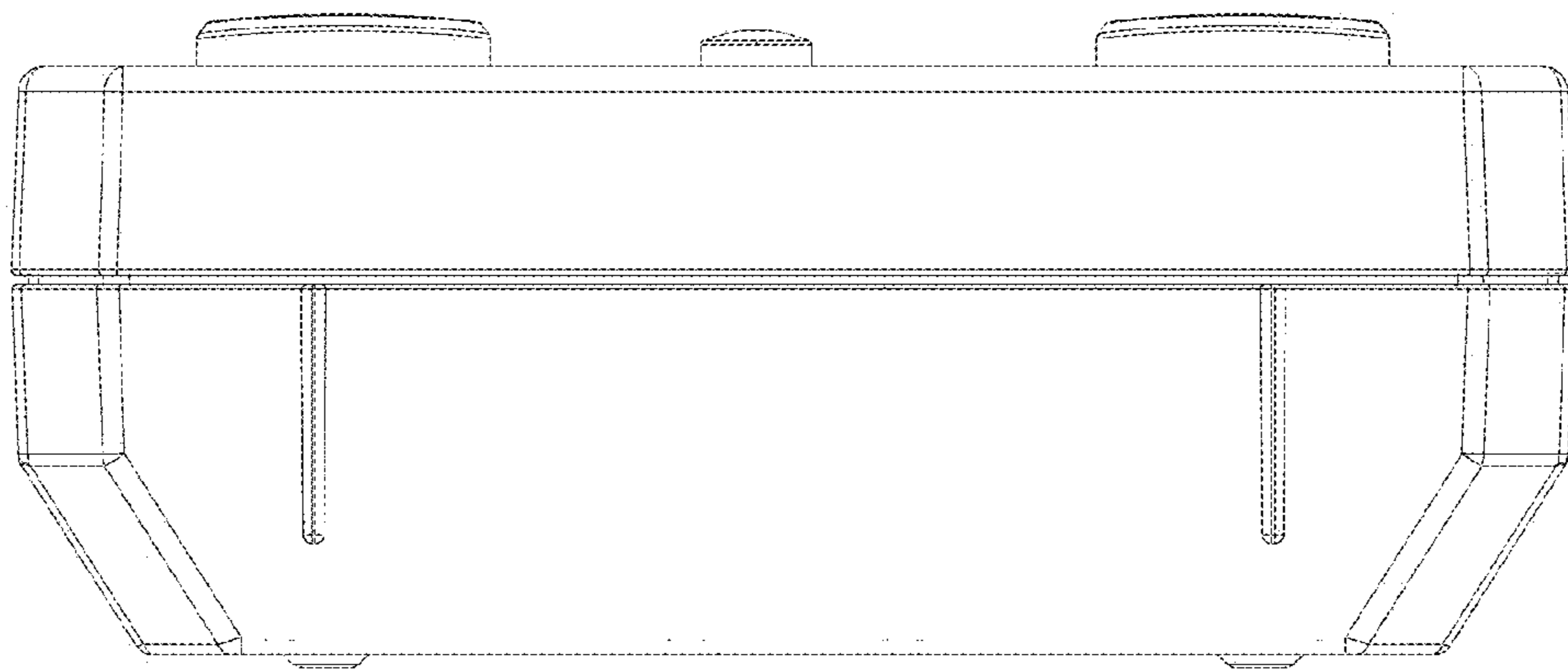


FIGURE 7

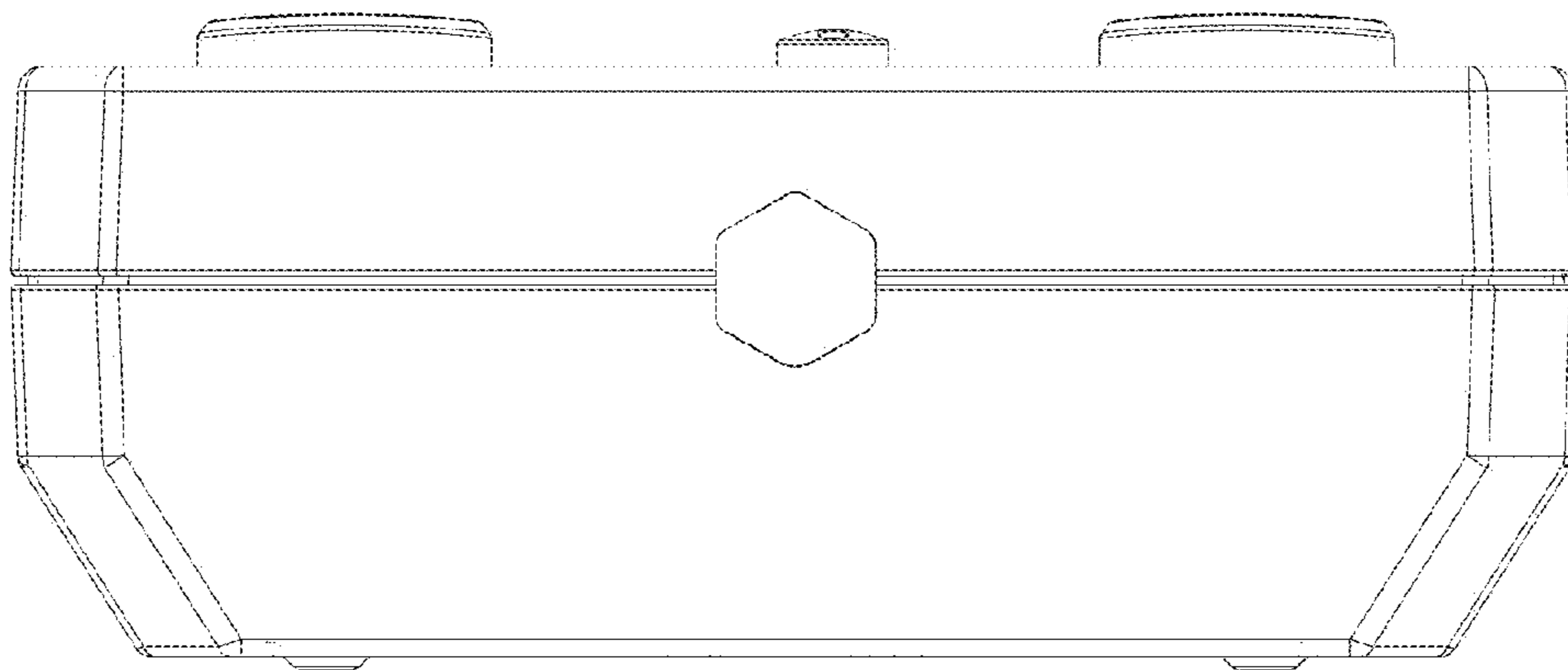


FIGURE 8

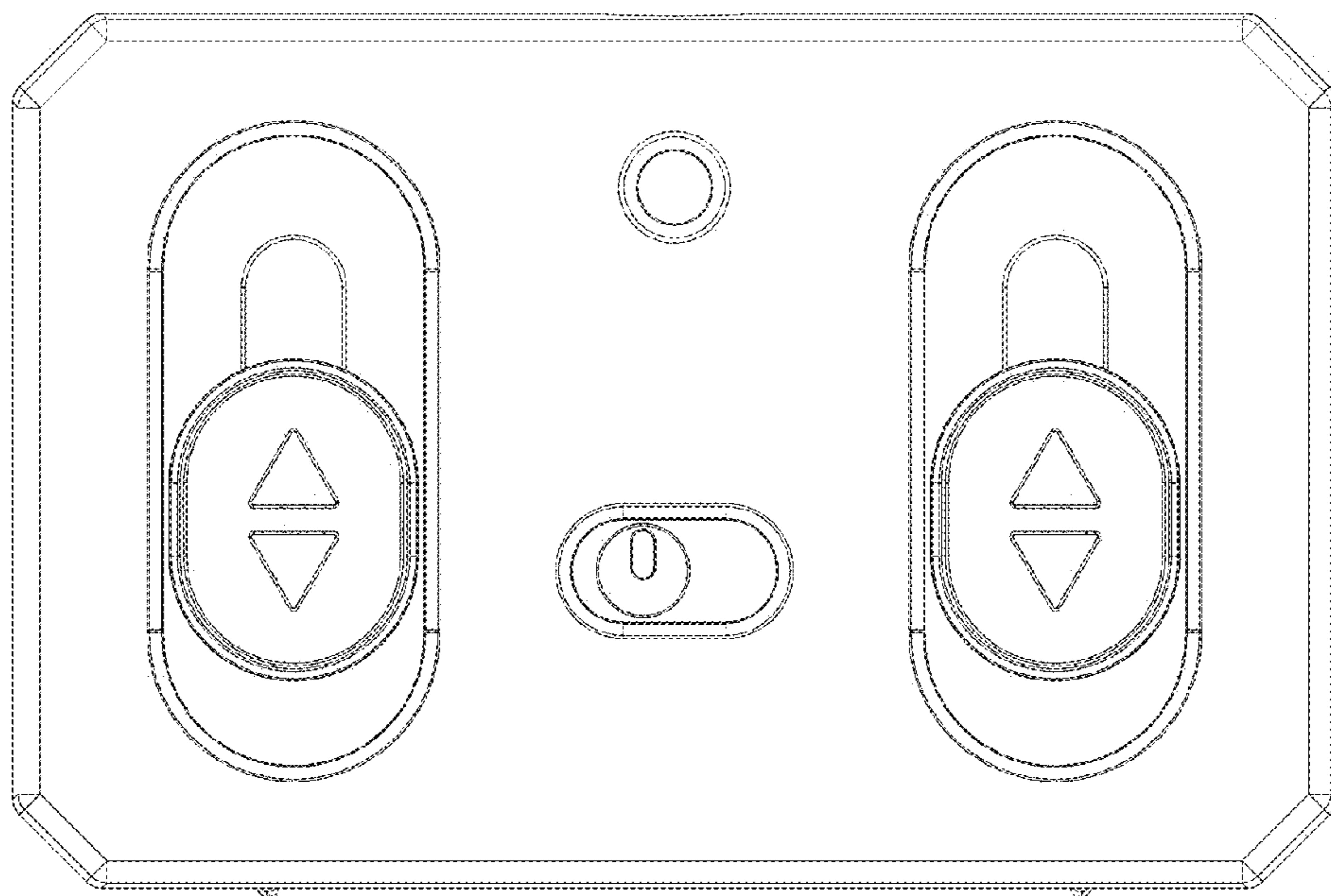


FIGURE 9

