



US00D750173S

(12) **United States Design Patent**
Chen

(10) **Patent No.:** **US D750,173 S**

(45) **Date of Patent:** **** Feb. 23, 2016**

(54) **LED DISPLAY**

(71) Applicant: **Lei Chen**, Guangdong (CN)

(72) Inventor: **Lei Chen**, Guangdong (CN)

(**) Term: **14 Years**

(21) Appl. No.: **29/502,762**

(22) Filed: **Sep. 19, 2014**

(51) **LOC (10) Cl.** **20-01**

(52) **U.S. Cl.**
USPC **D20/10**

(58) **Field of Classification Search**

USPC D20/10, 17-19, 40-41; 40/68,
40/446-448, 453, 459, 472-473, 489-491,
40/542, 559

CPC G09F 7/00; G09F 7/02; G09F 9/00;
G09F 9/302; G09F 9/3023; G09F 9/33;
G09F 11/14; G09F 11/18; G09F 11/025;
G09F 13/00

See application file for complete search history.

(56) **References Cited**

U.S. PATENT DOCUMENTS

2,546,236 A * 3/1951 Pflueger G09F 11/025
40/472

3,579,880 A * 5/1971 Murphy G09F 7/02
40/473

5,181,334 A * 1/1993 Mima G09F 11/14
40/446

D618,732 S * 6/2010 Harel D20/40

* cited by examiner

Primary Examiner — Marcus Jackson

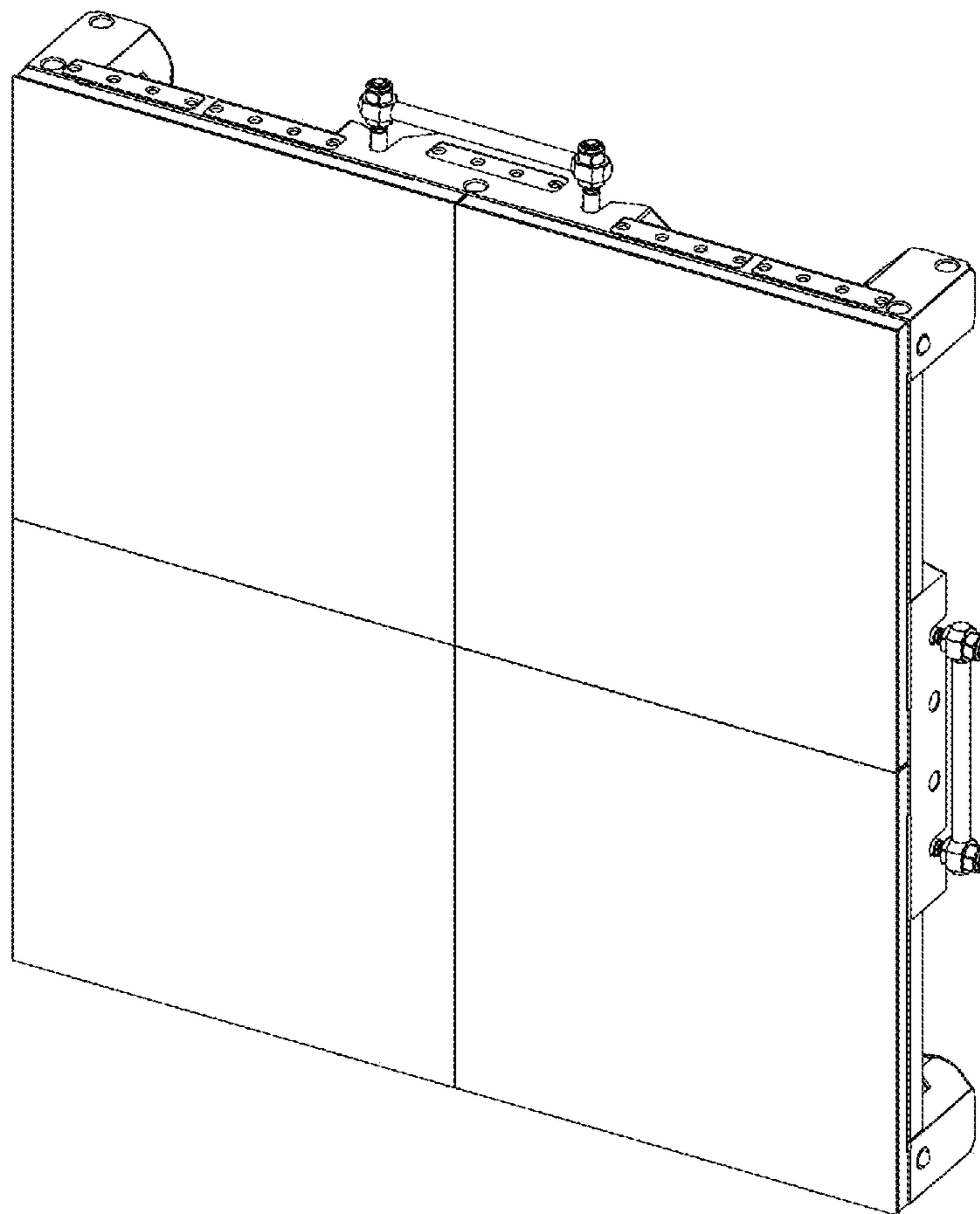
(57) **CLAIM**

I claim the ornamental design for a LED display, as shown and described.

DESCRIPTION

FIG. 1 is a front view of a LED display;
FIG. 2 is a rare view thereof;
FIG. 3 is a left side view thereof;
FIG. 4 is a right side view thereof;
FIG. 5 is a top view thereof;
FIG. 6 is a bottom view thereof;
FIG. 7 is first perspective view thereof; and,
FIG. 8 is a second perspective view.

1 Claim, 8 Drawing Sheets



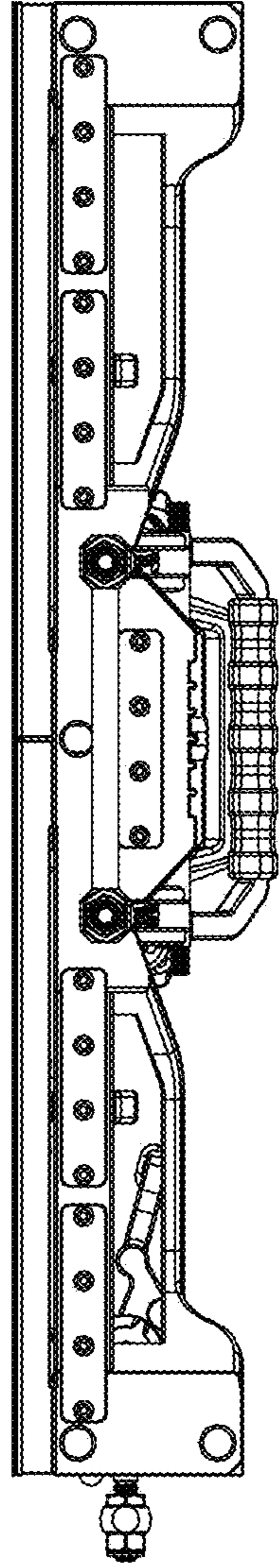


Fig. 1

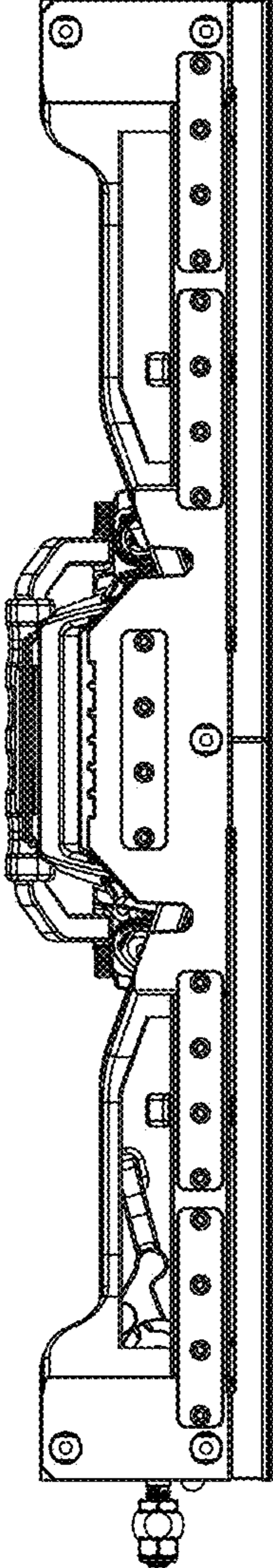


Fig. 2

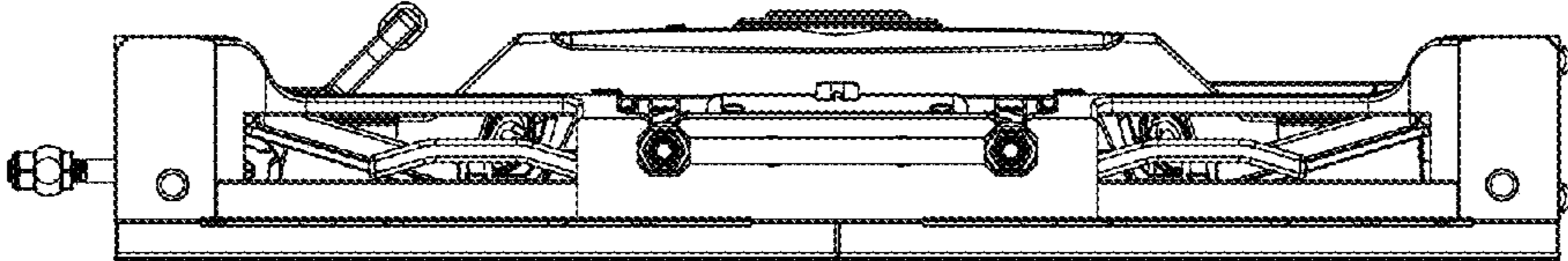


Fig. 3

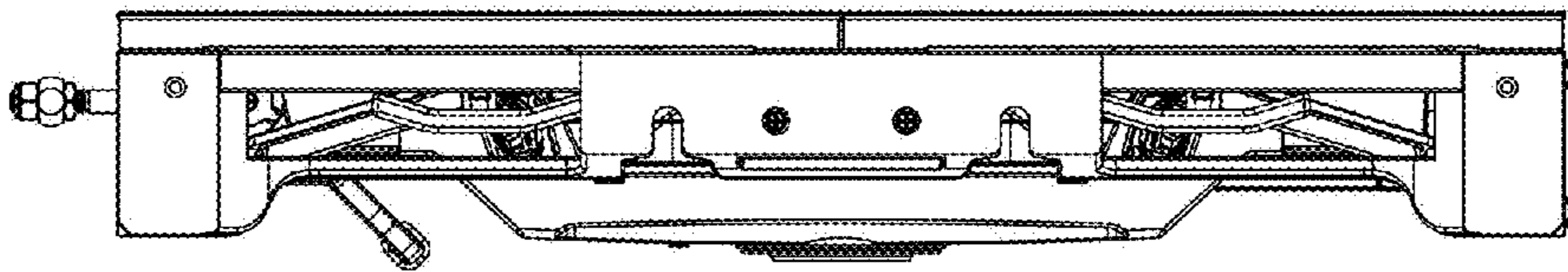


Fig. 4

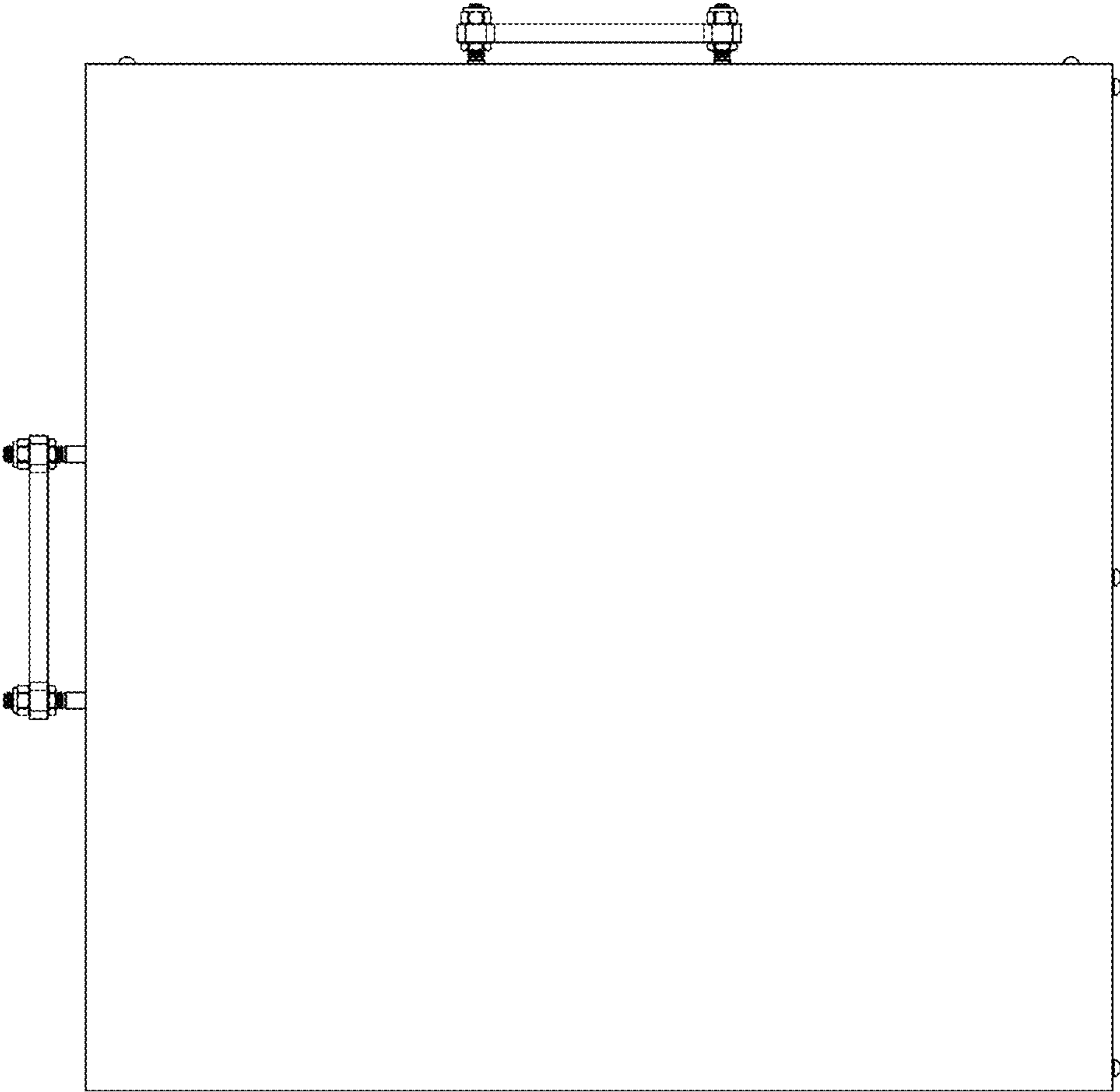


Fig. 5

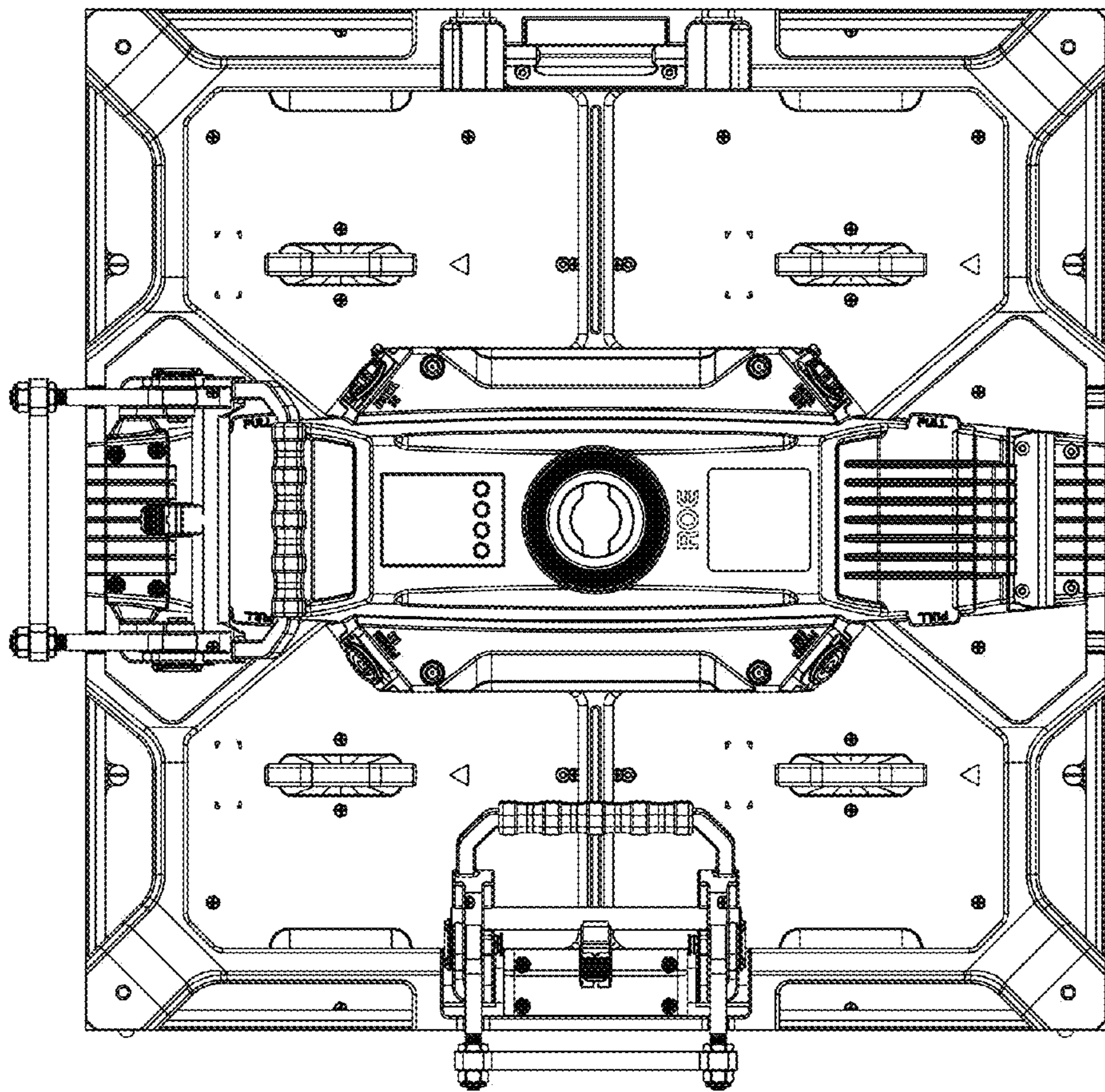


Fig. 6

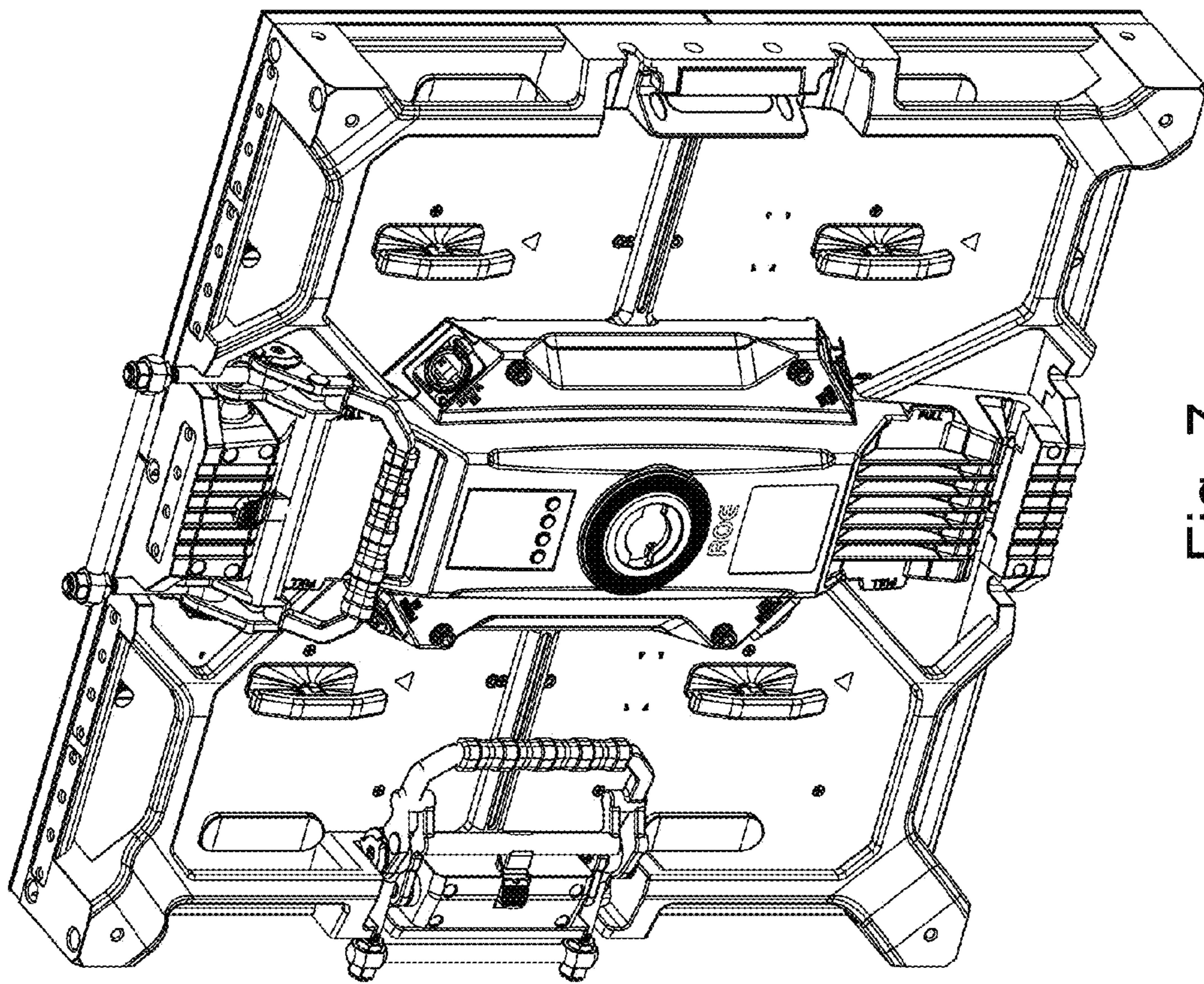


Fig. 7

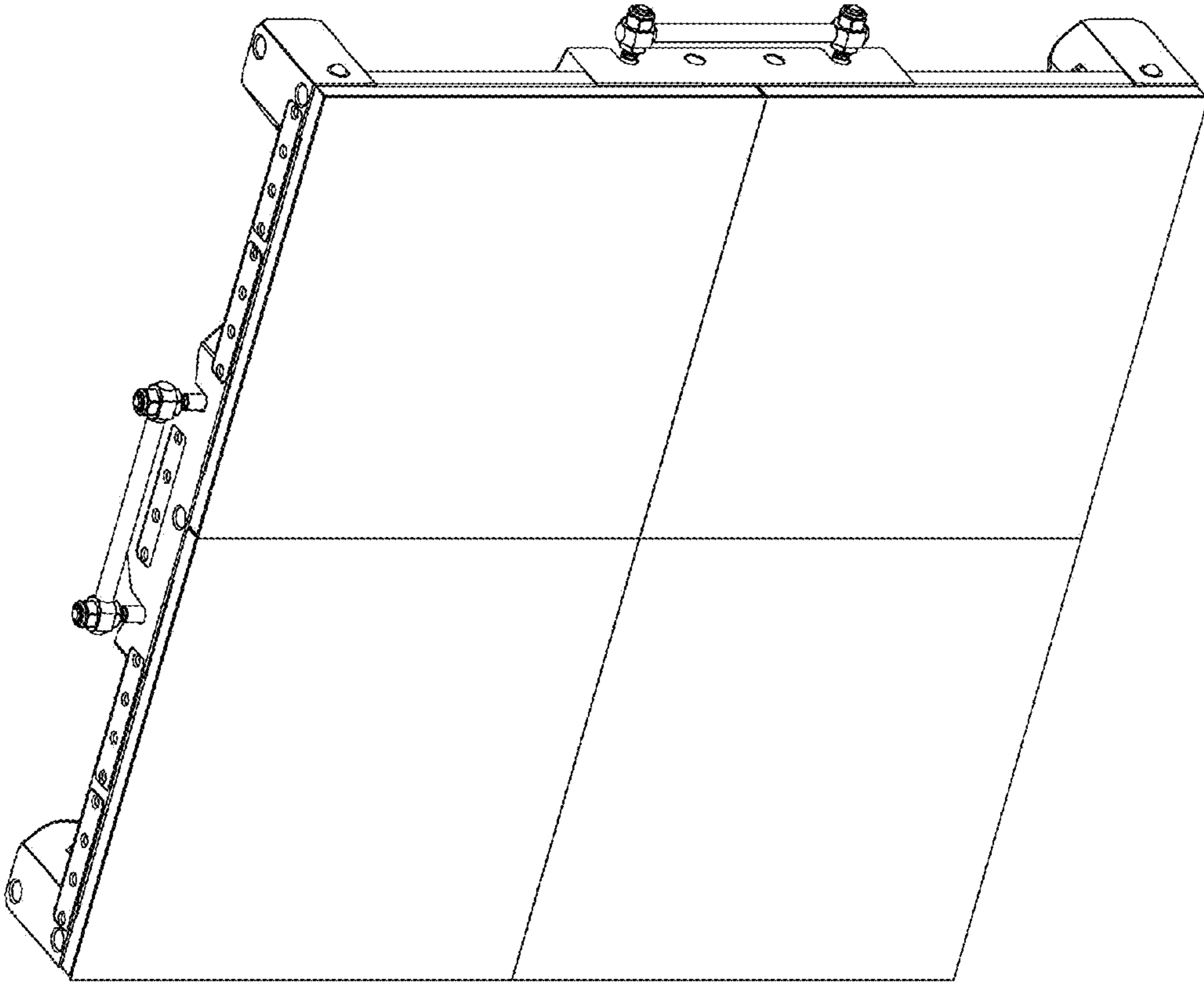


Fig. 8