



US00D750172S

(12) **United States Design Patent**
Moreno Medina

(10) **Patent No.:** **US D750,172 S**
(45) **Date of Patent:** **** Feb. 23, 2016**

(54) **MULTIFUNCTIONAL SELF-SERVICE
TERMINAL ITEM DISPENSER**

(71) Applicant: **MORMEDI, S.A.**, Madrid (ES)
(72) Inventor: **Jaime Tomas Moreno Medina**, Madrid
(ES)
(73) Assignee: **MORMEDI, S.A.**, Madrid (ES)
(**) Term: **14 Years**

(21) Appl. No.: **29/467,713**
(22) Filed: **Sep. 23, 2013**

(30) **Foreign Application Priority Data**

Mar. 21, 2013 (EM) 002206797

(51) **LOC (10) Cl.** **20-01**

(52) **U.S. Cl.**
USPC **D20/1**

(58) **Field of Classification Search**

USPC D20/1-9; D99/28; D6/512, 515, 517;
D7/305-312; D15/89; D25/1, 16, 32
CPC G07F 9/00; G07F 9/02; G07F 9/026;
G07F 9/06; G07F 11/00; G07F 11/007;
G07F 11/02; G07F 11/06; G07F 11/10;
G07F 11/24; G07F 11/21; G07F 11/38;
G07F 11/62; G07F 11/165; G07F 13/00;
G07F 13/10; G07F 17/42

See application file for complete search history.

(56) **References Cited**

U.S. PATENT DOCUMENTS

D219,479 S *	12/1970	Perkins	D20/6
D266,156 S *	9/1982	Ebner et al.	D12/6
D316,873 S *	5/1991	Merl	D20/6
D379,618 S *	6/1997	Hellhake et al.	D12/425
D650,443 S *	12/2011	Hallenbeck et al.	D20/1
D689,552 S *	9/2013	Brown	D20/1
D691,206 S *	10/2013	d'Amore et al.	D20/1
D726,332 S *	4/2015	Barbosa	D25/16
D728,282 S *	5/2015	Tongue et al.	D6/675

* cited by examiner

Primary Examiner — Mary Ann Calabrese

(74) *Attorney, Agent, or Firm* — Nixon & Vanderhye P.C.

(57) **CLAIM**

The ornamental design is for a multifunctional self-service terminal item dispenser, as shown.

DESCRIPTION

FIG. 1 is a front-right perspective view of a multifunctional self-service terminal item dispenser according to our new ornamental design;

FIG. 2 is a front view thereof;

FIG. 3 is a back view thereof;

FIG. 4 is a top view thereof;

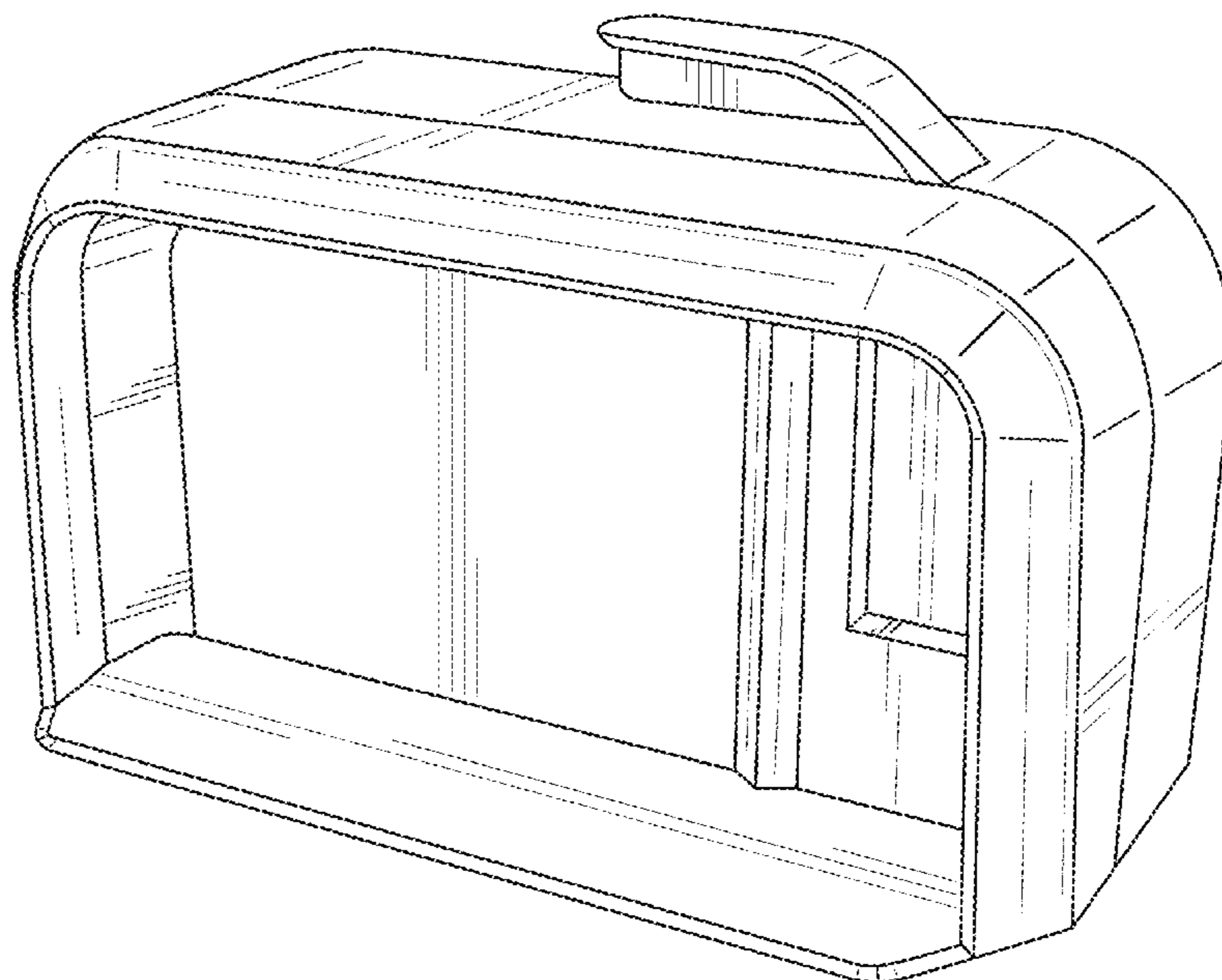
FIG. 5 is a bottom view thereof;

FIG. 6 is a left side view thereof; and,

FIG. 7 is a right side view thereof.

In the drawings, the broken lines illustrate environment and form no part of the claimed design.

1 Claim, 4 Drawing Sheets



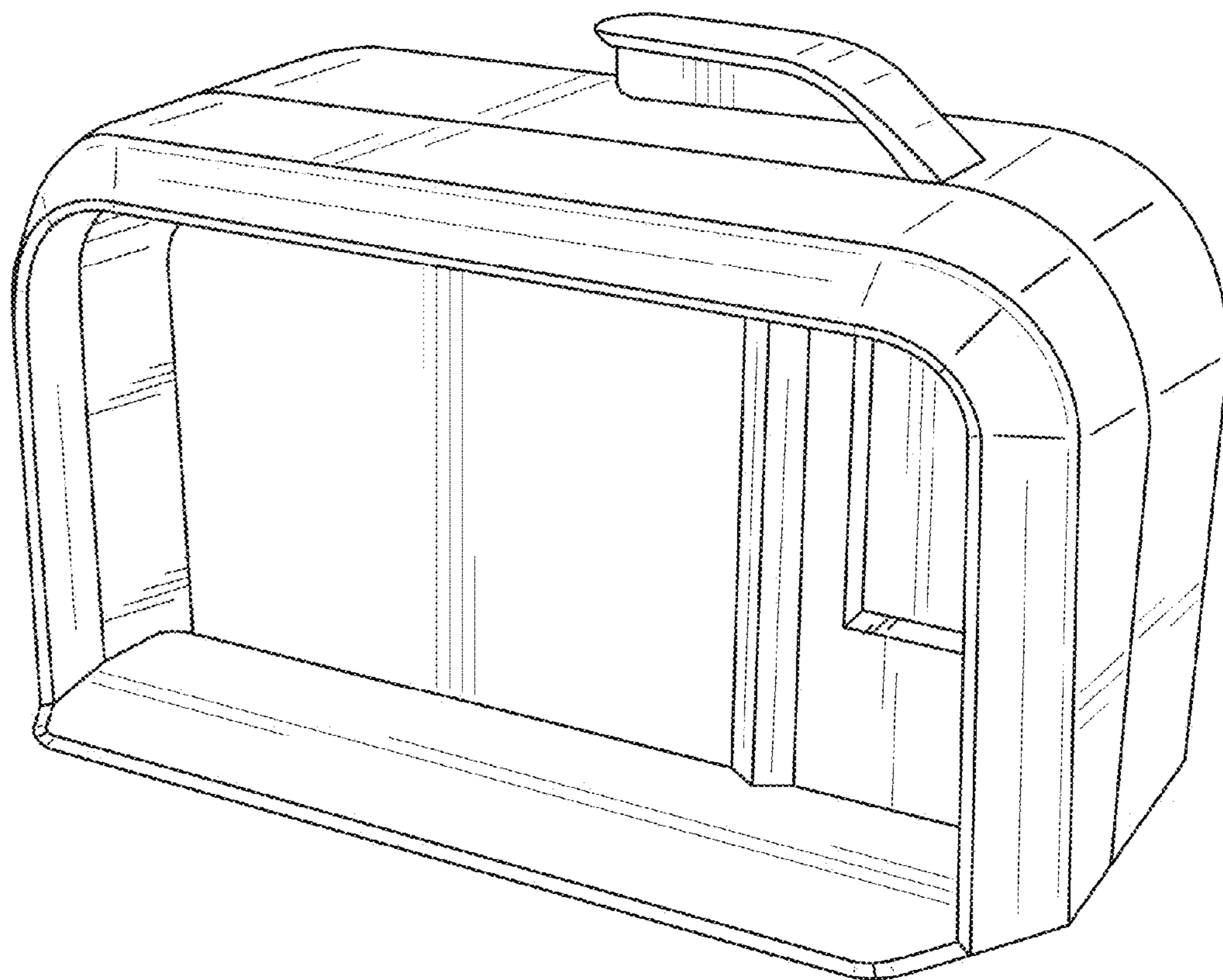


FIG. 1

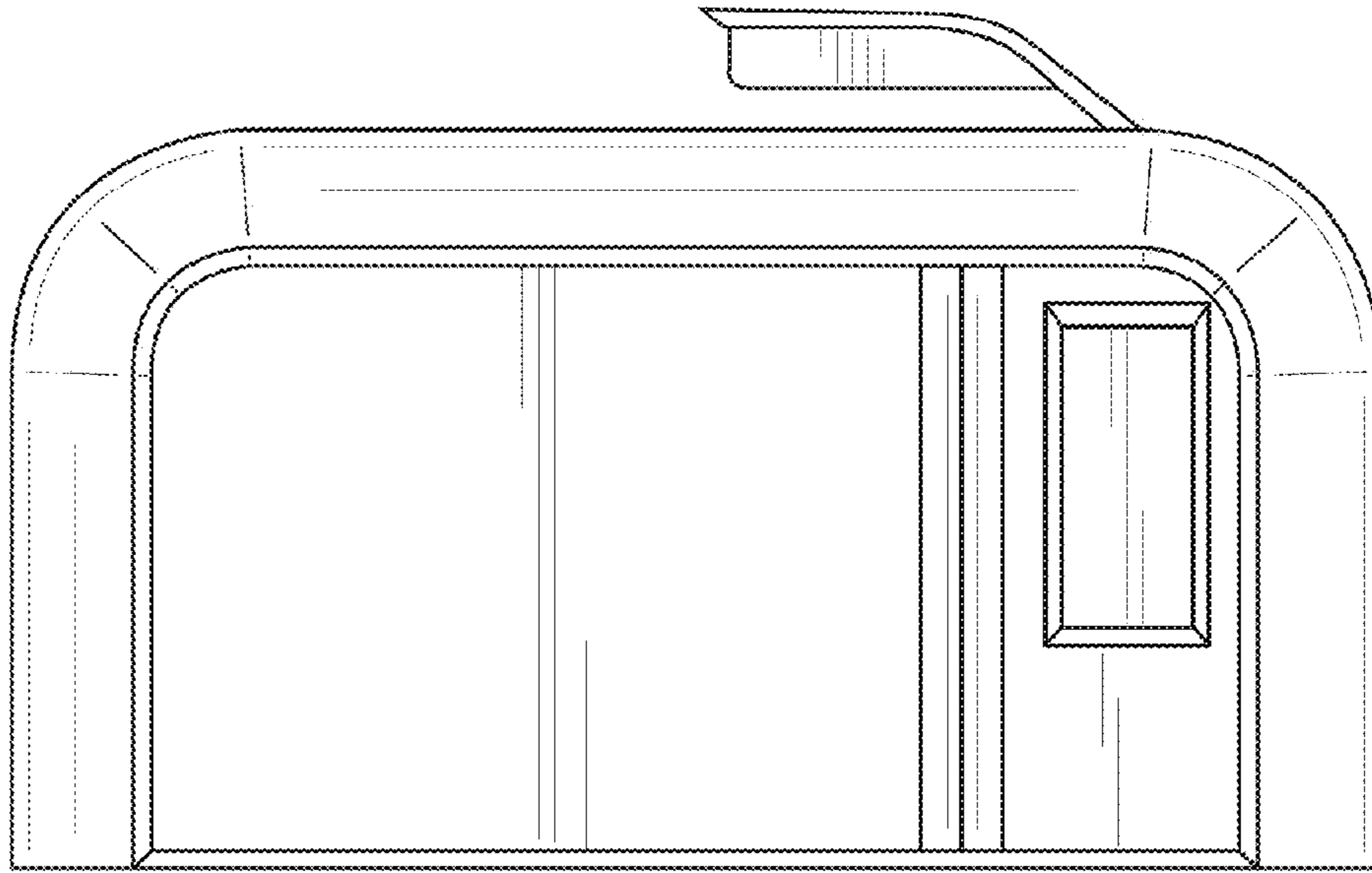


FIG. 2

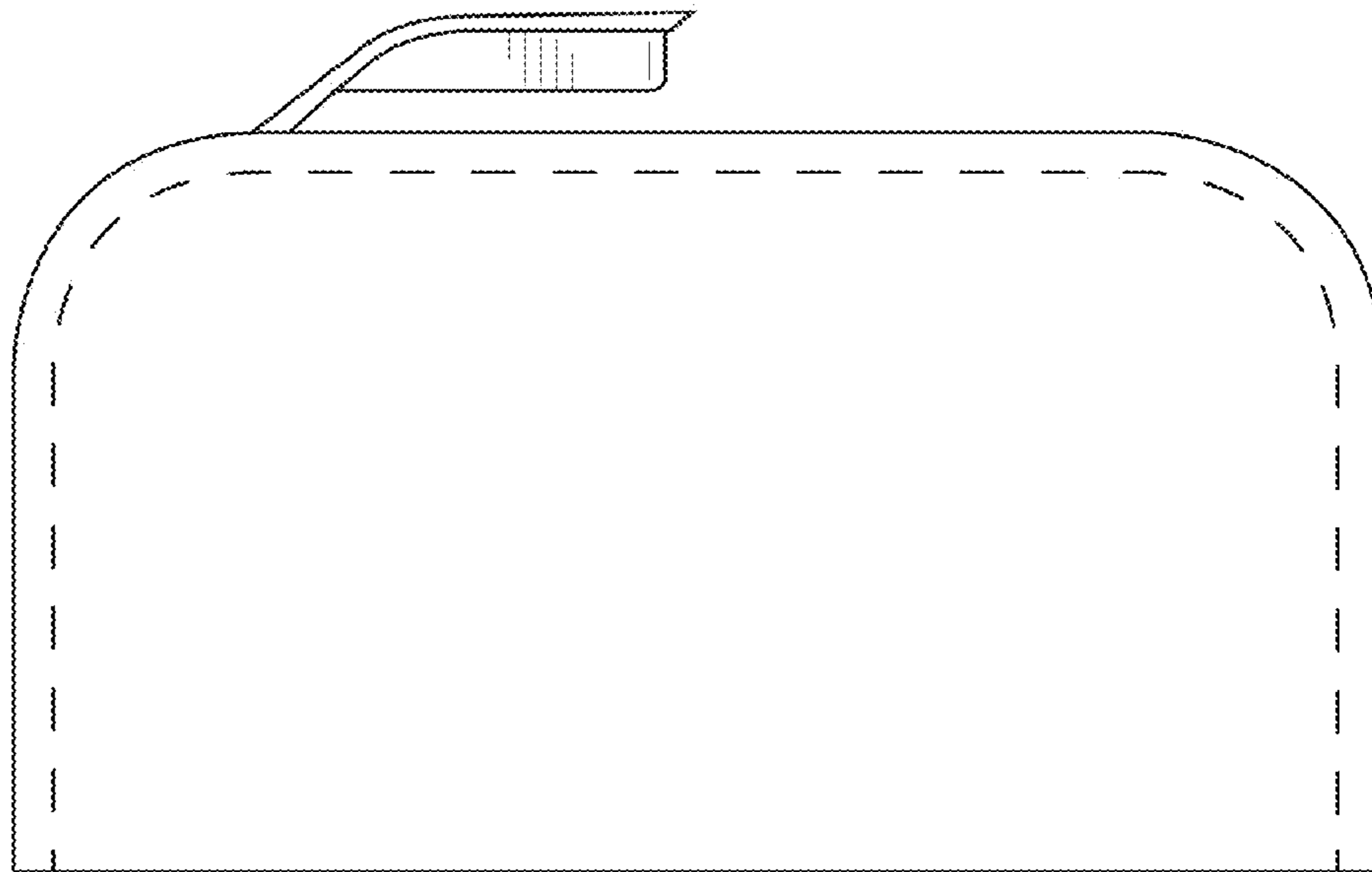


FIG. 3

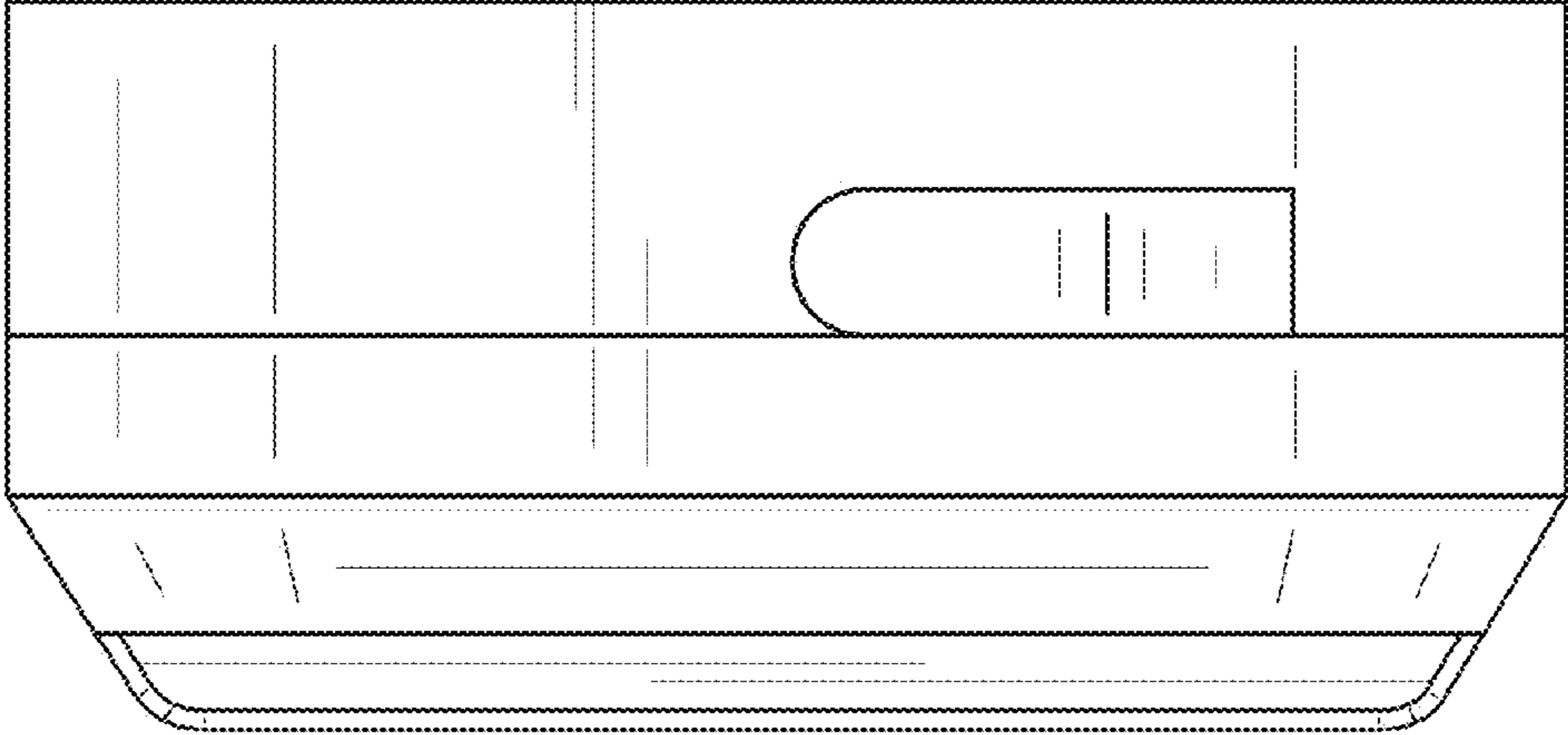


FIG. 4

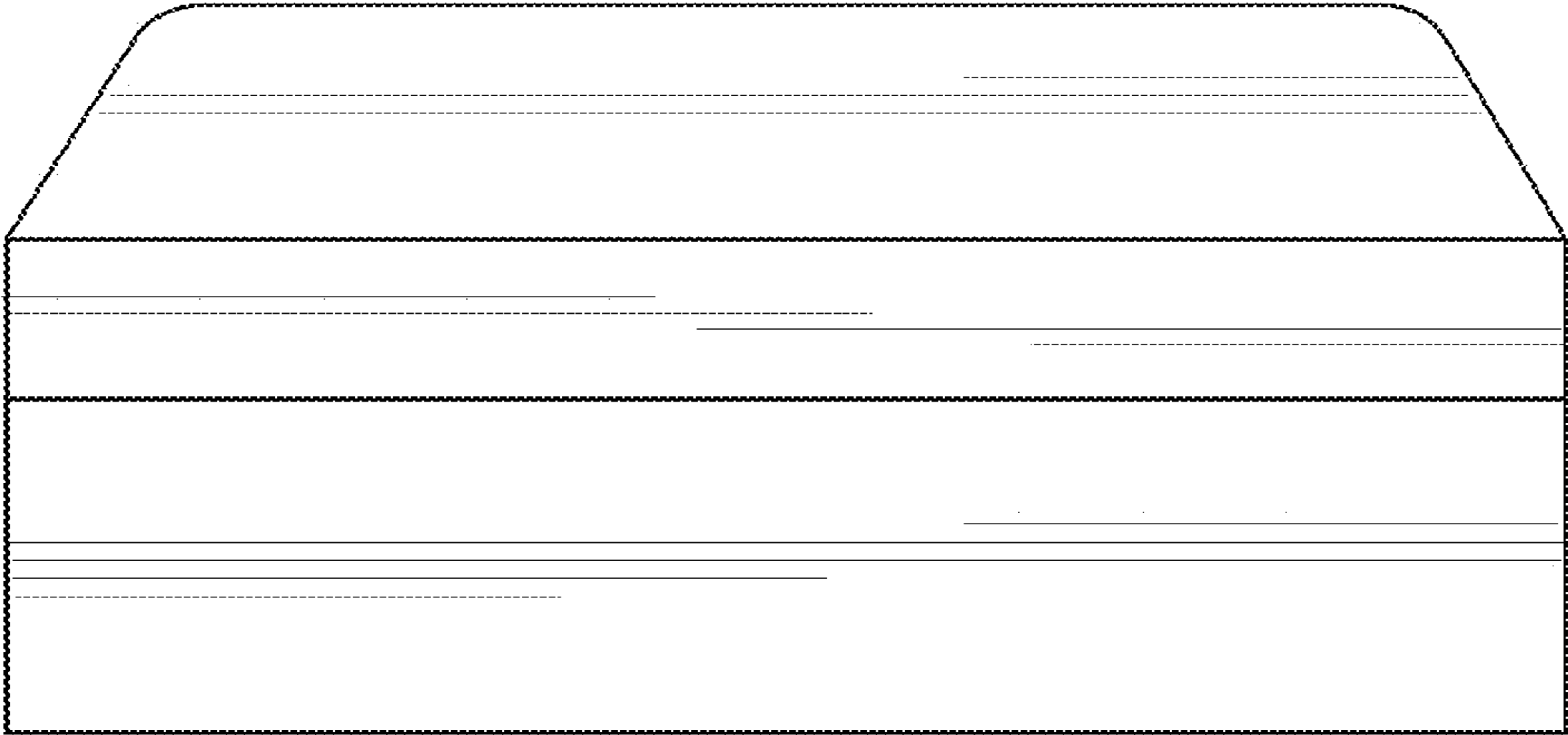


FIG. 5

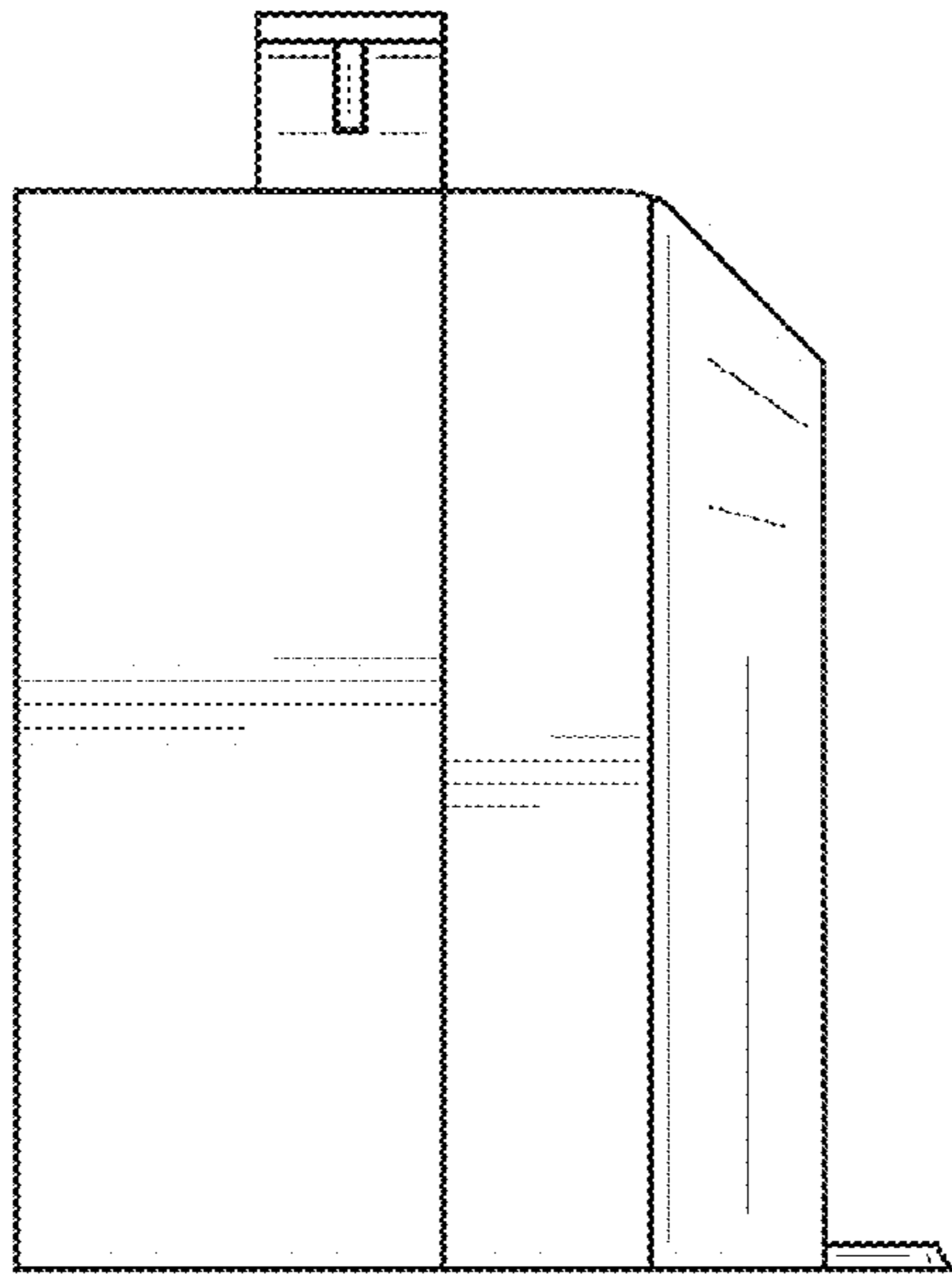


FIG. 6

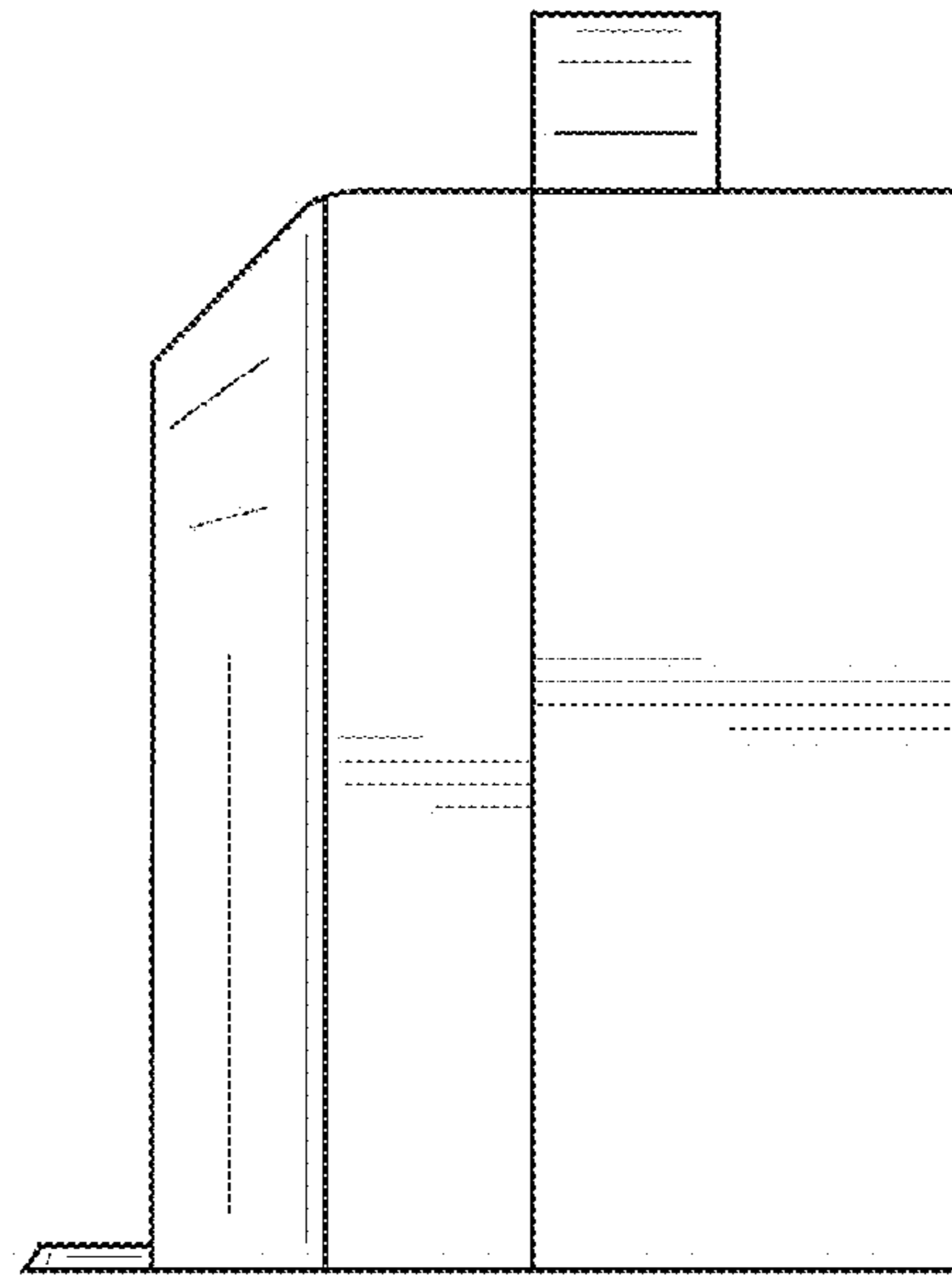


FIG. 7