



US00D750170S

(12) **United States Design Patent**
Lehmann et al.

(10) **Patent No.:** **US D750,170 S**

(45) **Date of Patent:** **** Feb. 23, 2016**

(54) **STAMP HOUSING**

(71) Applicant: **Adminimum AG**, St. Niklausen (CH)

(72) Inventors: **Annette Lehmann**, St. Niklausen (CH);
Mario Tronza, Bienne (CH)

(73) Assignee: **Adminimum AG**, St. Niklausen (CH)

(**) Term: **14 Years**

(21) Appl. No.: **29/472,990**

(22) Filed: **Nov. 18, 2013**

(30) **Foreign Application Priority Data**

May 17, 2013 (CH) 139918

(51) **LOC (10) Cl.** **19-02**

(52) **U.S. Cl.**
USPC **D19/67**

(58) **Field of Classification Search**
USPC D19/70, 69, 36, 68; 242/588.6, 588.2;
225/77, 6, 56, 39, 26, 25, 19, 11, 34;
206/411; 156/577, 527, 523
CPC B65H 35/0026; B65H 35/0073; B65H
35/0033; B65H 35/007; B26F 3/02
See application file for complete search history.

(56) **References Cited**

U.S. PATENT DOCUMENTS

D144,391 S * 4/1946 Krueger D19/69
D274,825 S * 7/1984 Lissoni D19/69
D293,338 S * 12/1987 Evenson D19/67
D333,156 S * 2/1993 Peersmann D19/69
D417,237 S * 11/1999 Packard et al. D19/69

D436,131 S * 1/2001 Lau D19/69
D456,449 S * 4/2002 Dunshee et al. D19/69
D495,349 S * 8/2004 Zilka et al. D15/199
D541,348 S * 4/2007 Mandel D19/69
D571,405 S * 6/2008 Boulais D19/69
D586,676 S * 2/2009 Wagner et al. D10/72
D593,610 S * 6/2009 Cirulli et al. D19/67
D602,529 S * 10/2009 Kokaisel et al. D19/67
D603,902 S * 11/2009 Greaves D19/67
D619,171 S * 7/2010 Hagens et al. D19/67
D647,373 S * 10/2011 Pourian et al. D7/629
D647,565 S * 10/2011 Pourian et al. D19/69
D648,186 S * 11/2011 Pourian et al. D7/629
2010/0313770 A1 * 12/2010 Lehmann 101/35
2014/0090570 A1 * 4/2014 Amgwerd et al. 101/333

* cited by examiner

Primary Examiner — Austin Murphy

(74) *Attorney, Agent, or Firm* — McCormick, Paulding & Huber LLP

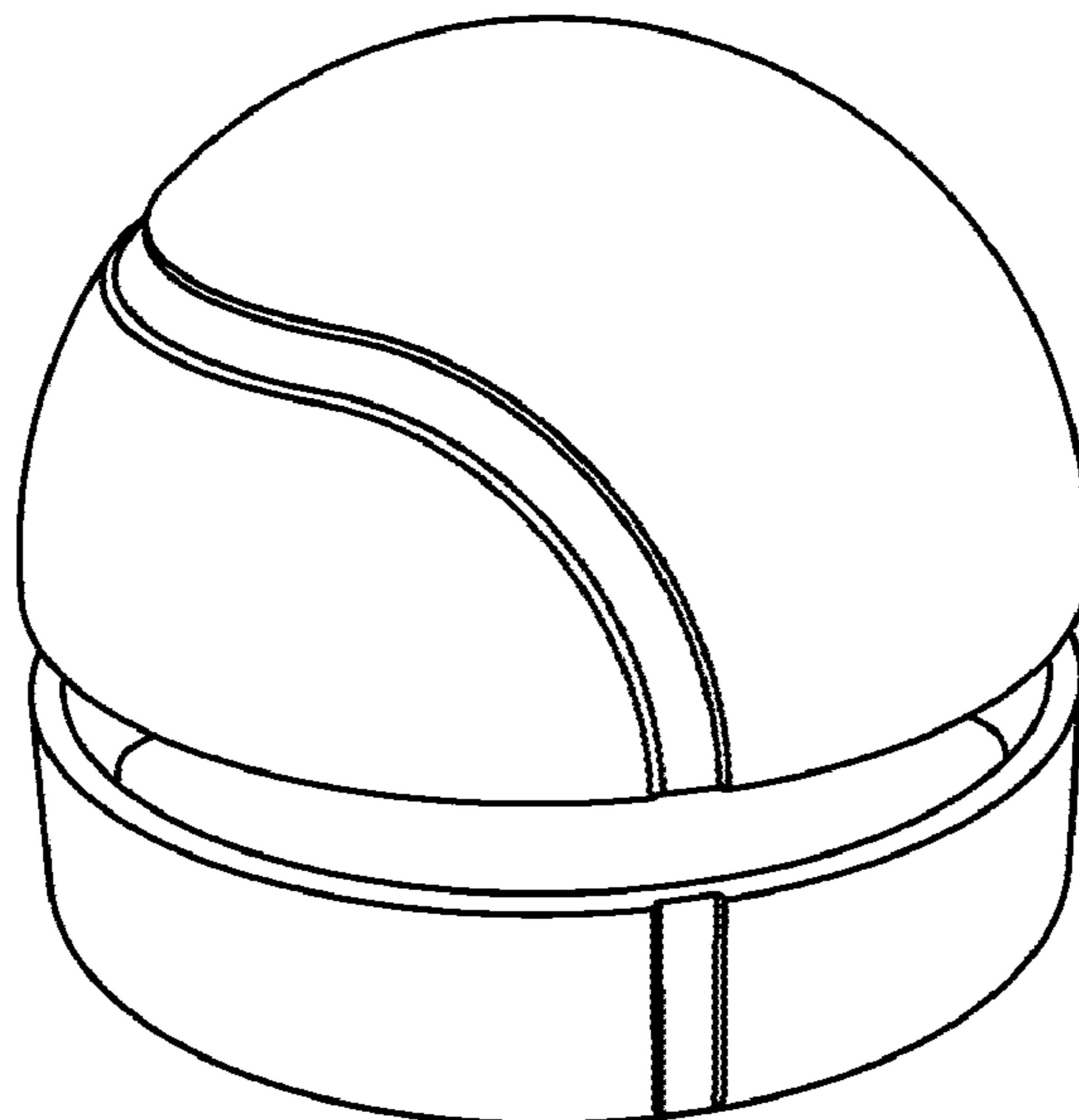
(57) **CLAIM**

The ornamental design for a stamp housing, substantially as shown.

DESCRIPTION

FIG. 1 is a top view of a stamp housing showing my new design;
FIG. 2 is a top, rear, and left side perspective view thereof;
FIG. 3 is a front view thereof;
FIG. 4 is a left side view with the right side view being a mirror image thereof;
FIG. 5 is a top, rear, and left perspective view thereof, shown in an open position;
FIG. 6 is a front view thereof, shown in an open position; and,
FIG. 7 is a left side view thereof shown in an open position.

1 Claim, 2 Drawing Sheets



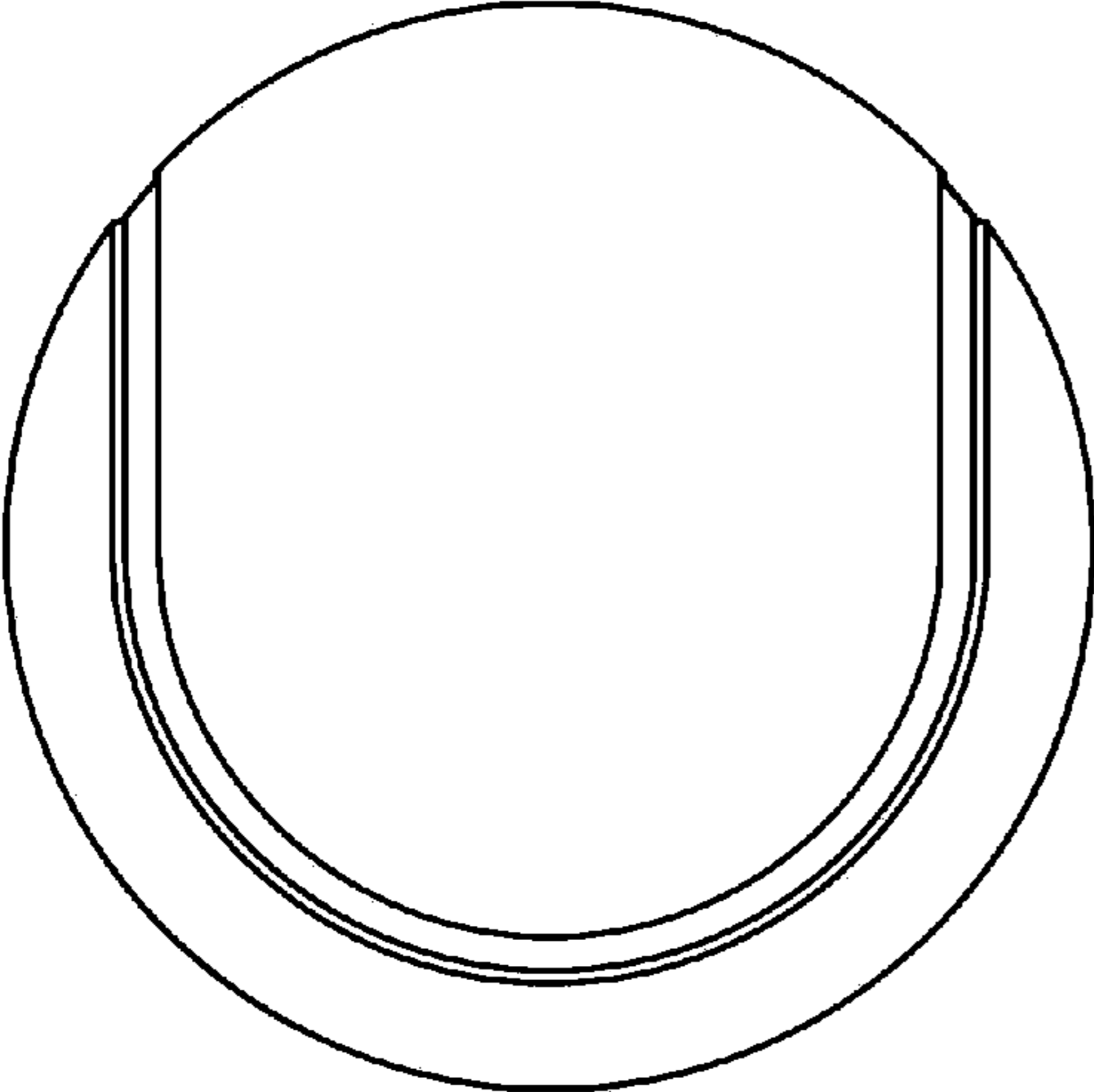


FIG. 1

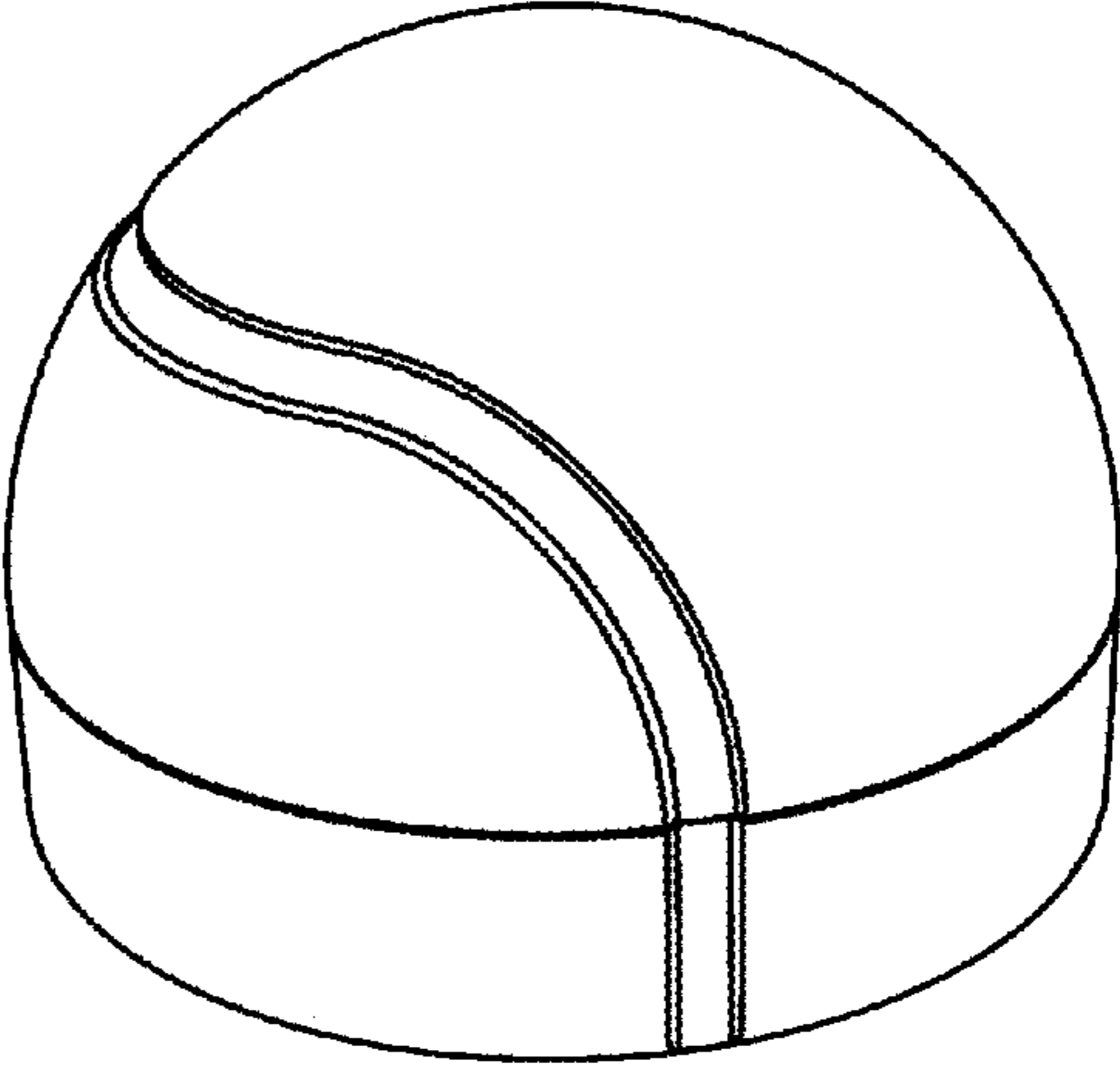


FIG. 2

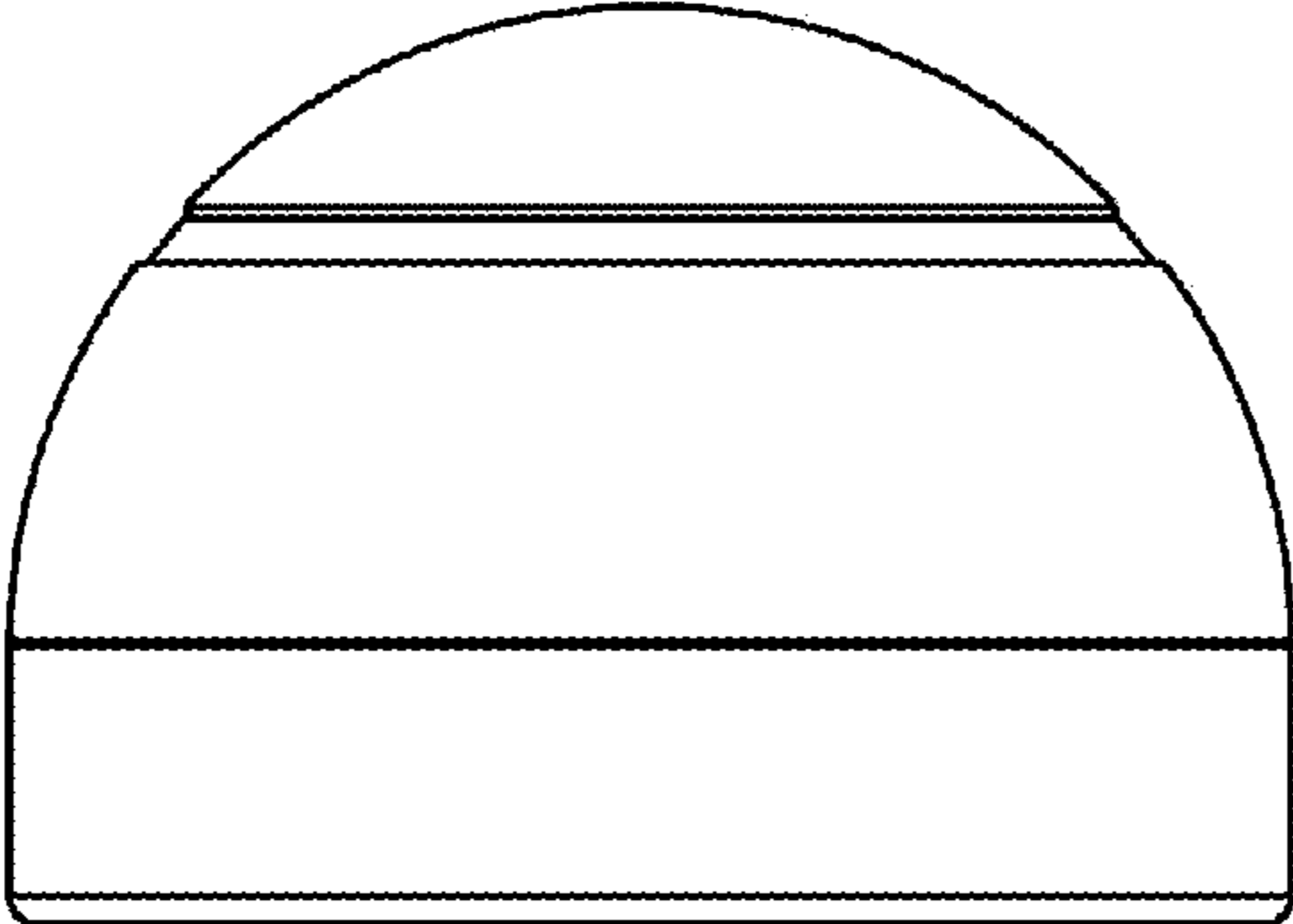


FIG. 3

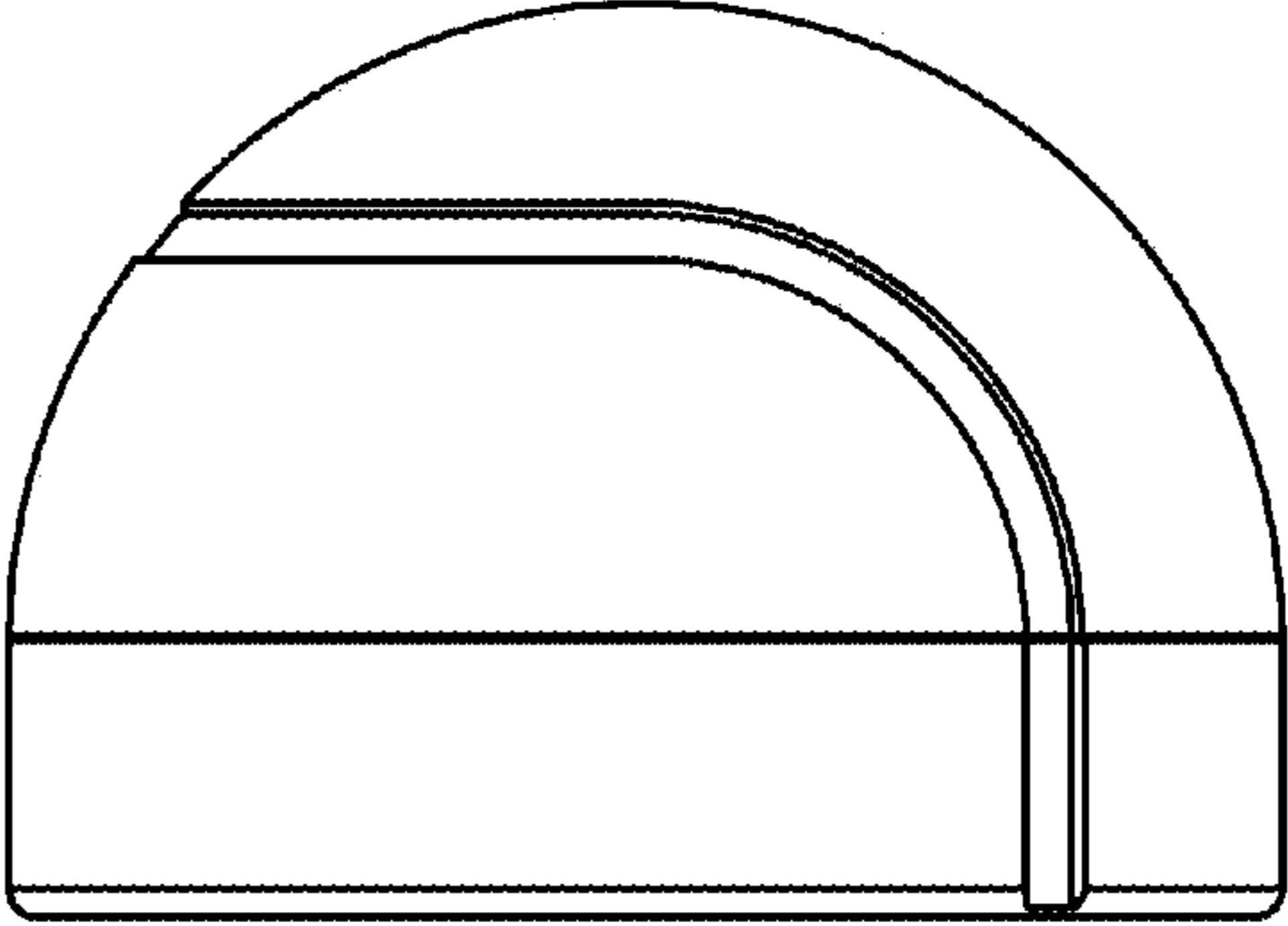


FIG. 4

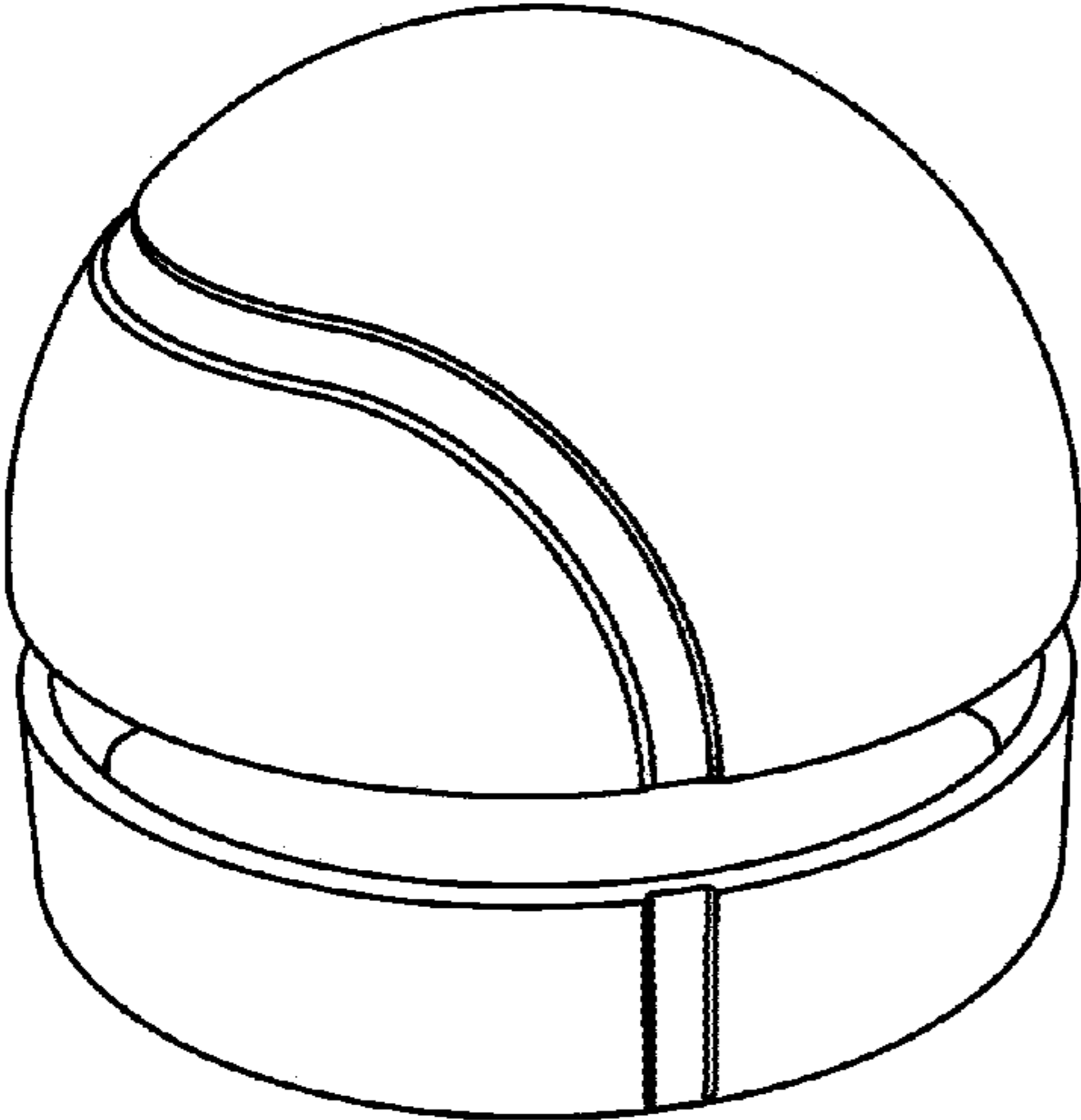


FIG. 5

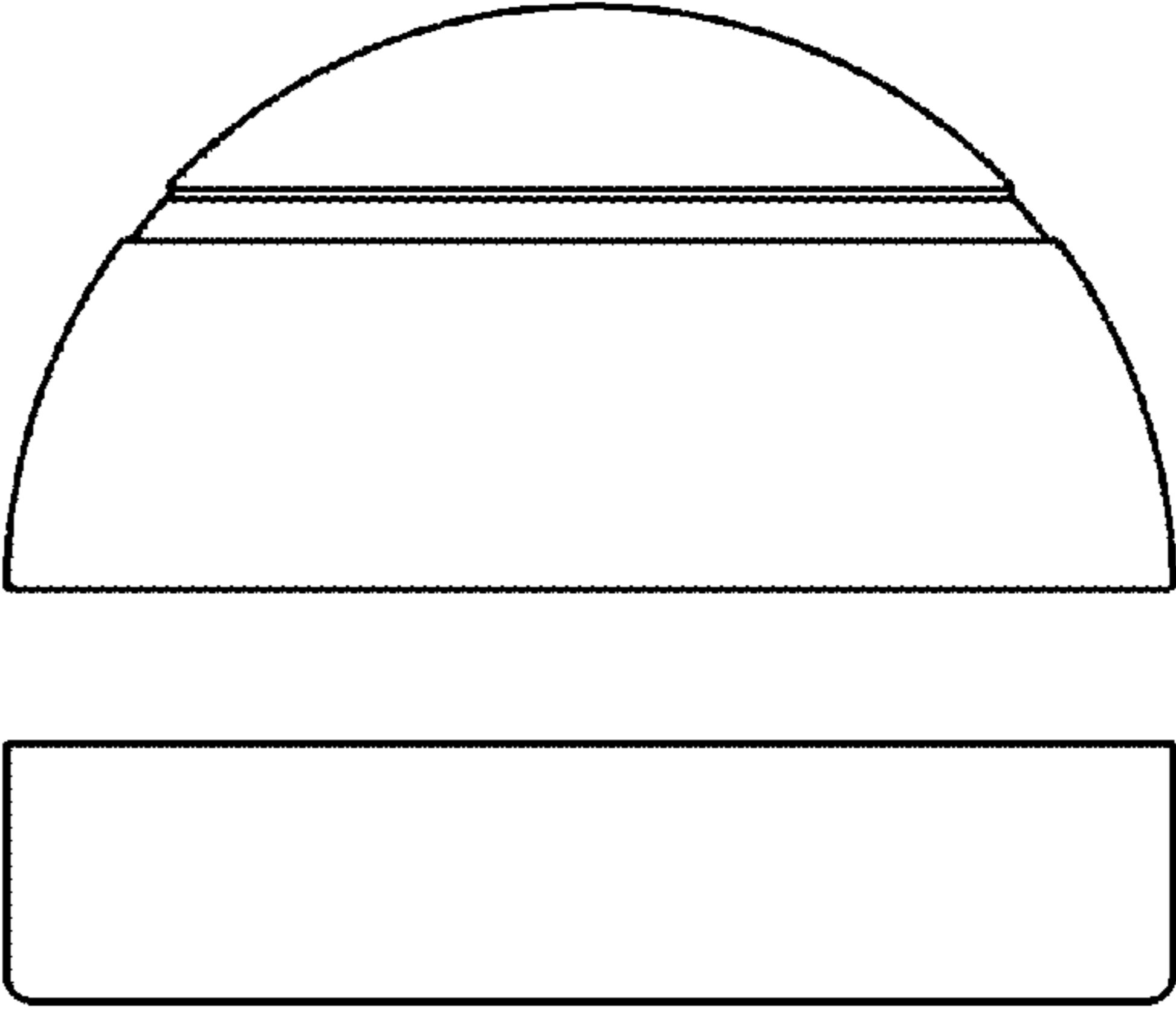


FIG. 6

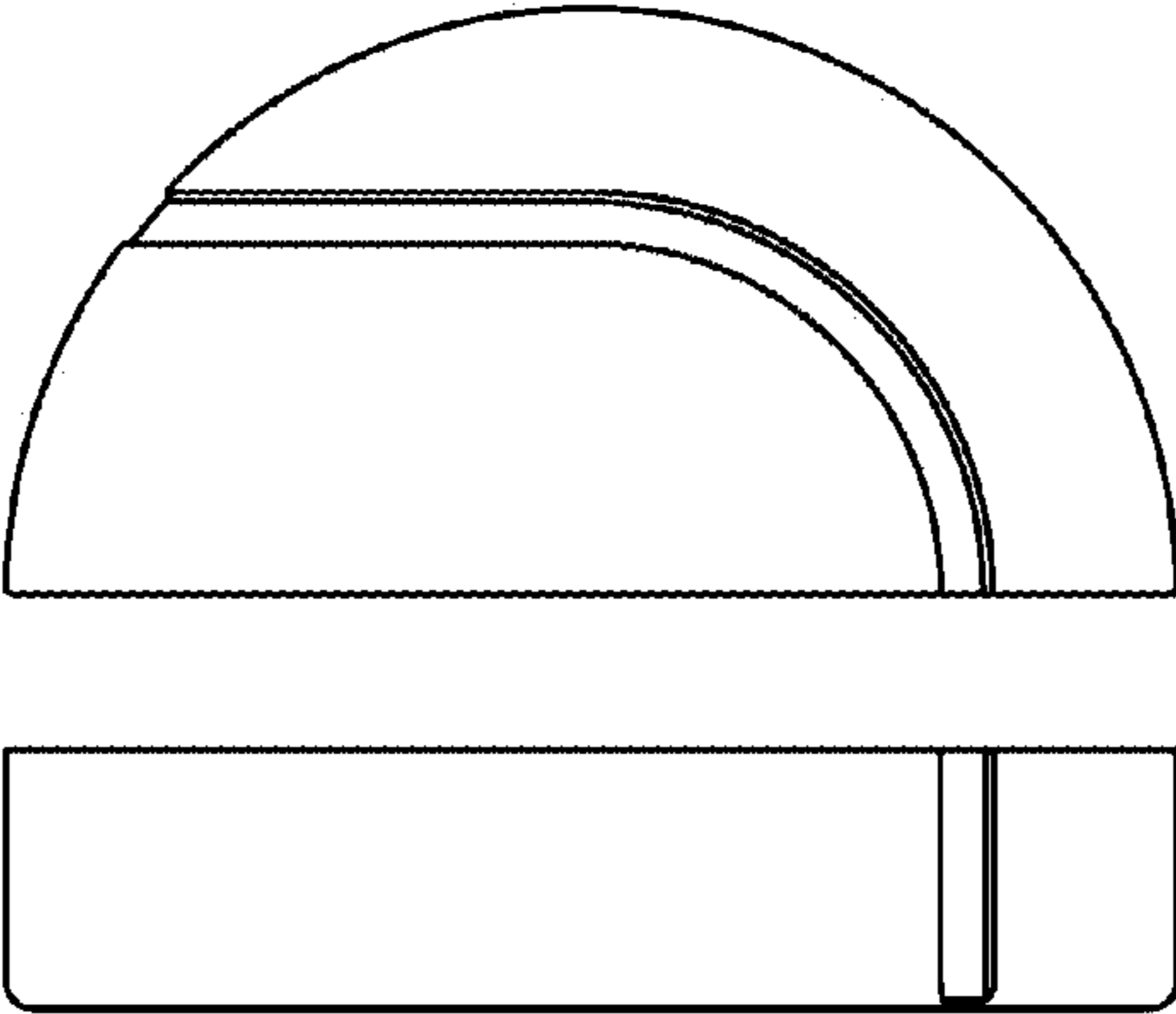


FIG. 7