



US00D750169S

(12) **United States Design Patent**
Russell et al.

(10) **Patent No.:** **US D750,169 S**
(45) **Date of Patent:** **** Feb. 23, 2016**

- (54) **MULTI POCKET FOLDER**
- (71) Applicant: **Smead Manufacturing Company**,
Hastings, MN (US)
- (72) Inventors: **James Russell**, Hastings, MN (US);
Daniel Seleski, Hastings, MN (US)
- (73) Assignee: **Smead Manufacturing Company**,
Hastings, MN (US)

- D308,887 S 6/1990 Wyant
- D312,275 S * 11/1990 Wyant D19/26
- D312,277 S 11/1990 Moor
- D312,656 S 12/1990 Huber
- D329,943 S 10/1992 Laszio
- D334,588 S 4/1993 Okola
- D337,784 S * 7/1993 Wyant D19/26
- 5,598,969 A 2/1997 Ong
- D432,166 S 10/2000 Matheson

(Continued)

- (**) Term: **15 Years**
- (21) Appl. No.: **29/532,331**
- (22) Filed: **Jul. 6, 2015**

FOREIGN PATENT DOCUMENTS

EP 0328751 8/1989

OTHER PUBLICATIONS

SuperTab Two-Pocket Folders, Image review date Apr. 29, 2013, Site visited on Sep. 17, 2015 (online), <<http://www.smead.com/Director.aspx?NodeId=1914>>.*

Related U.S. Application Data

- (62) Division of application No. 29/469,891, filed on Oct. 15, 2013, now Pat. No. Des. 733,798.
- (51) **LOC (10) Cl.** **19-04**
- (52) **U.S. Cl.**
USPC **D19/26**
- (58) **Field of Classification Search**
USPC D19/1, 2, 3, 26, 32, 33, 65, 75, 86, 90,
D19/99, 100
CPC B42C 7/002; B42F 7/00; B42F 7/02;
B42F 7/04; B42F 7/06; B42F 11/00; B42F
23/00; B42P 2201/04; B42P 2201/06; B42P
2201/08; B65D 27/08; B65D 27/02; B31B
49/04; B31B 1/20; A45C 2001/065; Y10S
402/50
See application file for complete search history.

Primary Examiner — Ian Simmons
Assistant Examiner — Ieisha Price
(74) *Attorney, Agent, or Firm* — Altera Law Group, LLC

(57) **CLAIM**

The ornamental design for a multi pocket folder, as shown and described.

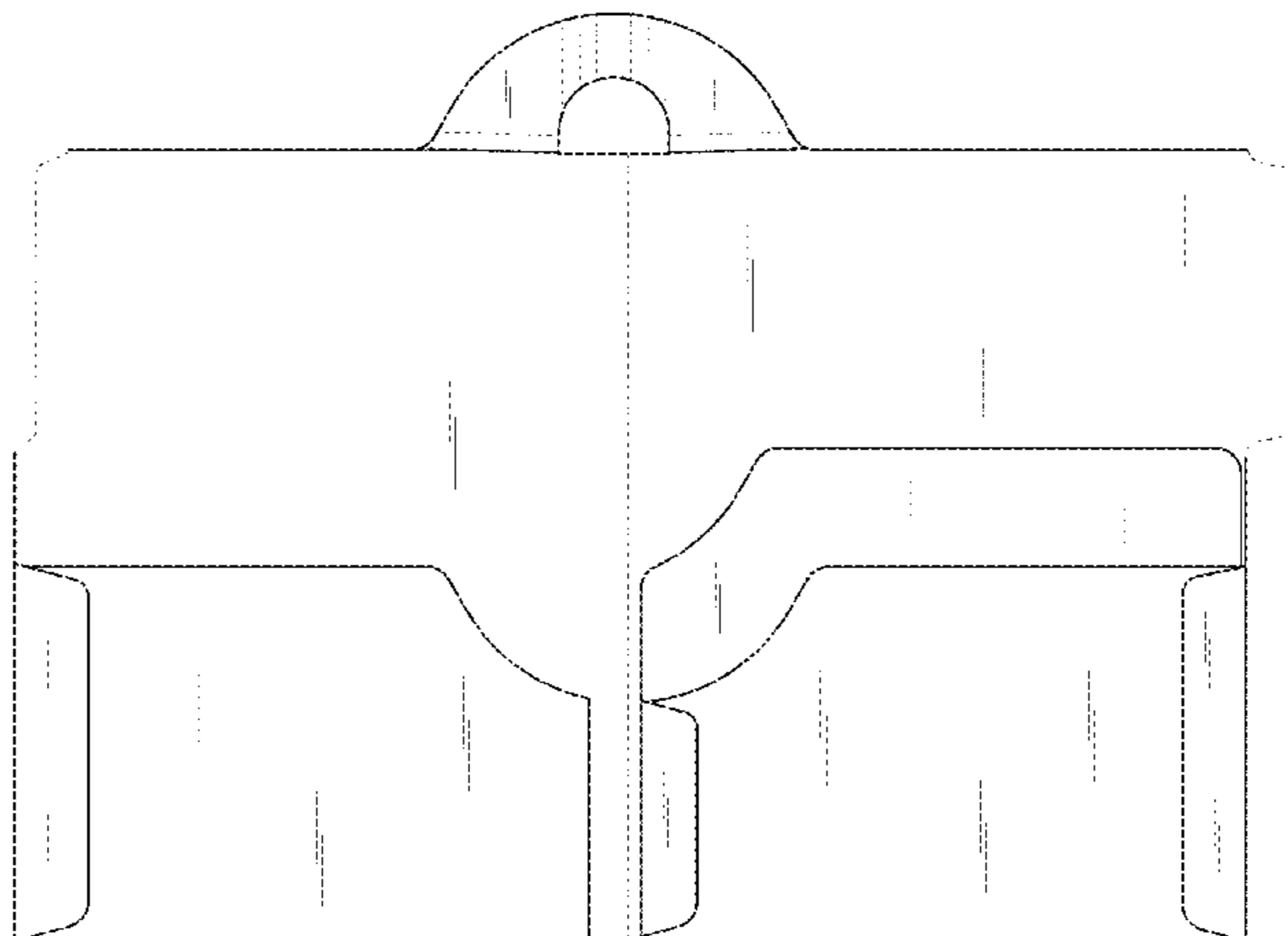
DESCRIPTION

FIG. 1 is a front view of the multi pocket folder.
FIG. 2 is a back view thereof.
FIG. 3 is a side view of the folder facing towards bottom thereof; and,
FIG. 4 is the other side view of the folder facing upwards thereof.
The broken lines showing of the tabs illustrate portions of the multi pocket folder and form no part of the claimed design. The broken lines located on the loop portion and the spine portion represent fold lines and form no part of the claimed design.

(56) **References Cited**
U.S. PATENT DOCUMENTS

- 726,843 A 5/1903 Becker
- 2,568,941 A * 9/1951 Benson A45C 11/00
229/72
- D267,152 S 12/1982 Nerlinger

1 Claim, 3 Drawing Sheets



(56)

References Cited

U.S. PATENT DOCUMENTS

D440,253	S	4/2001	Wolff				
6,382,864	B1	5/2002	Moor				
6,409,409	B2	6/2002	Bauman				
7,306,134	B1	12/2007	Ong				
8,152,050	B2	4/2012	Busam				
D729,872	S *	5/2015	Leonard	D19/26		
D733,798	S *	7/2015	Russell	D19/26		
2004/0066031	A1	4/2004	Wong				
2005/0242566	A1	11/2005	Cordes				
2008/0179875	A1	7/2008	Witter				
2008/0257940	A1	10/2008	Busam et al.				
2011/0210022	A1 *	9/2011	Degel	A45C 1/06		
						206/232	
2013/0146648	A1	6/2013	Snelling				
2013/0306715	A1	11/2013	James				
2013/0320074	A1	12/2013	Leonard				
2014/0291977	A1 *	10/2014	Harris	B42F 7/04		
						281/45	
2015/0060531	A1 *	3/2015	Leonard	B42F 7/06		
						229/67.1	
2015/0102092	A1 *	4/2015	Russell	B42F 7/06		
						229/67.1	

* cited by examiner

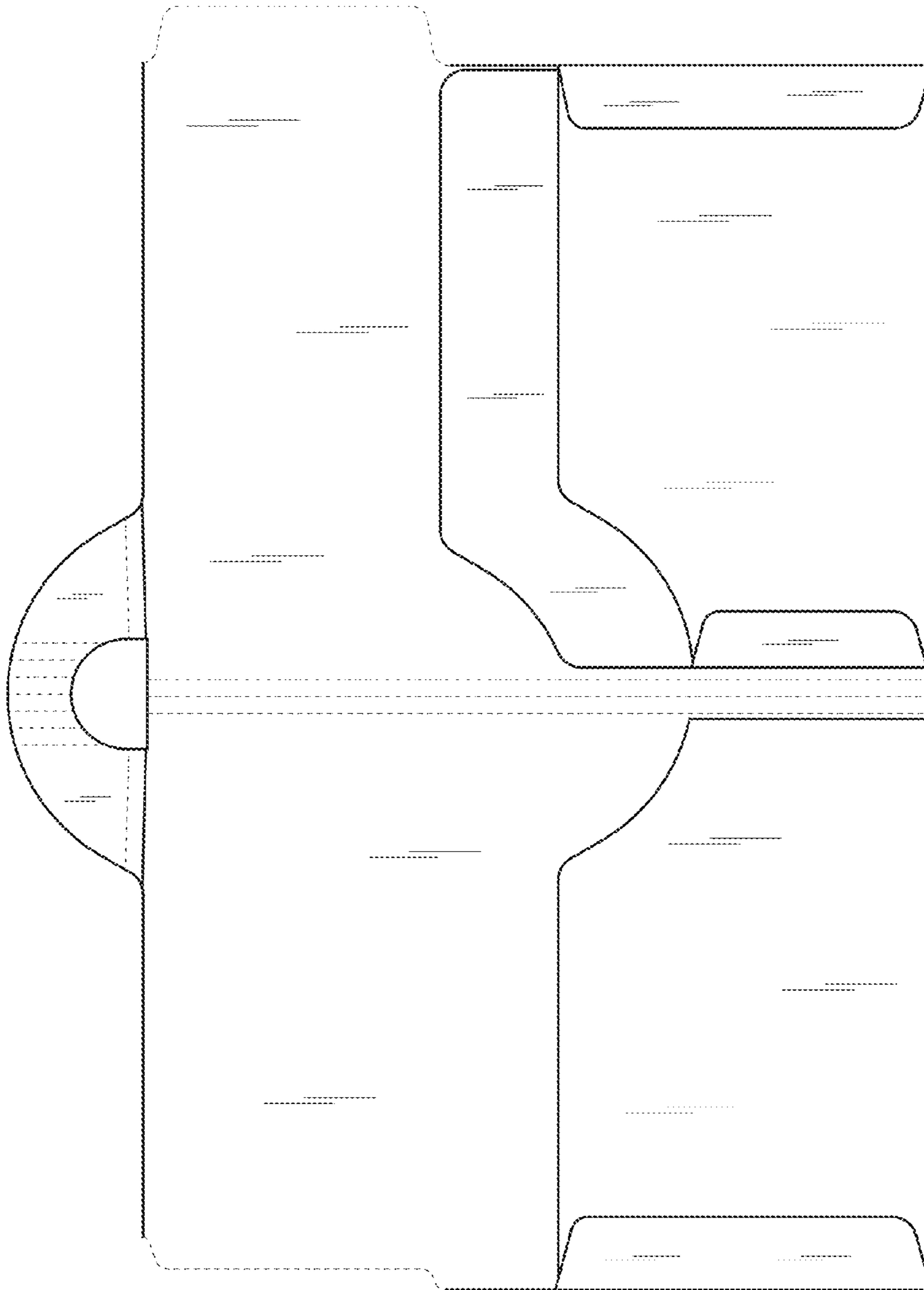


Fig. 1

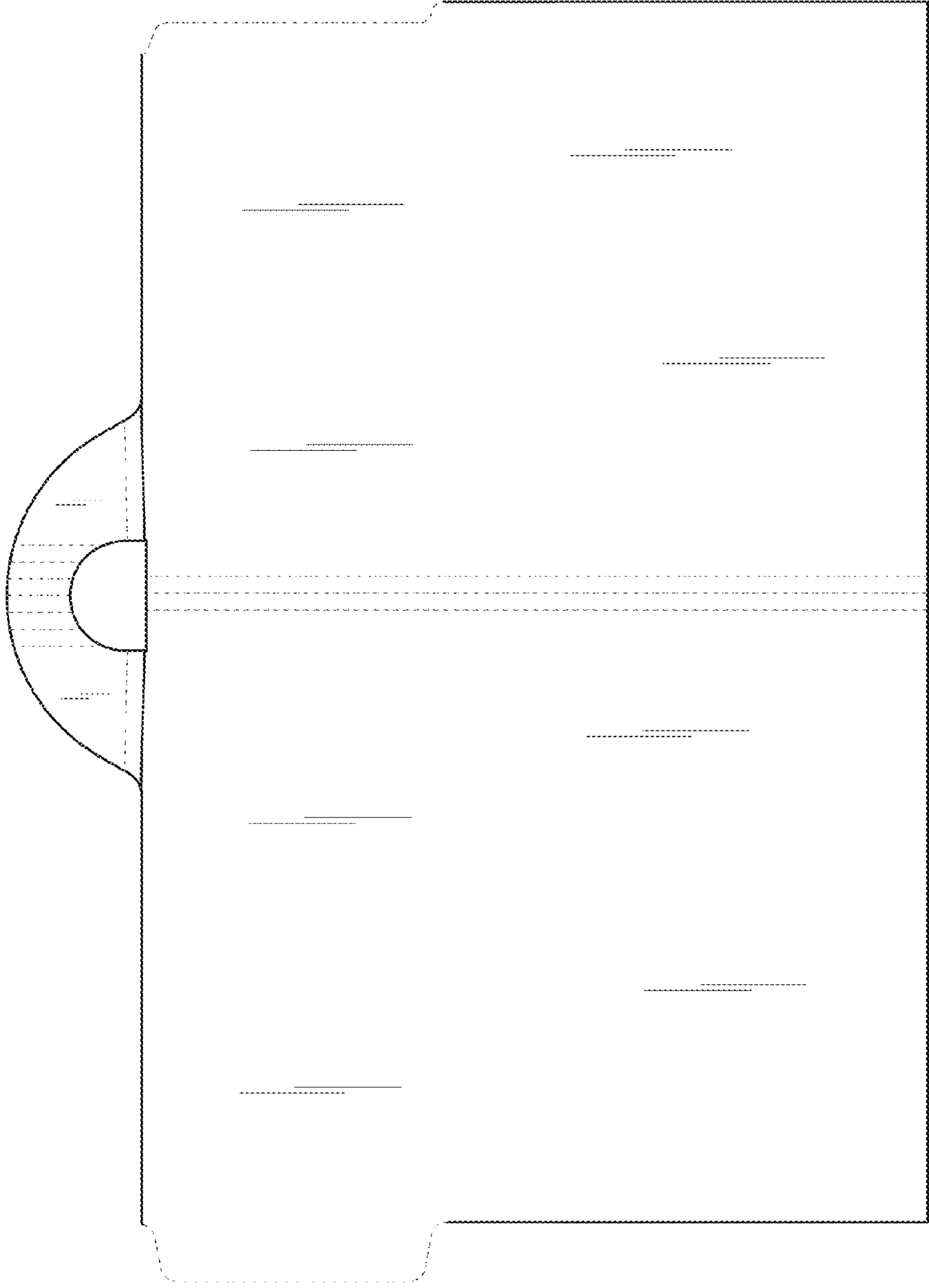


Fig. 2



Fig. 3



Fig. 4