



US00D750164S

(12) **United States Design Patent**
So et al.

(10) **Patent No.:** **US D750,164 S**
(45) **Date of Patent:** **** Feb. 23, 2016**

(54) **PRINTER**

(56) **References Cited**

(71) Applicant: **Samsung Electronics Co., Ltd.**,
Suwon-si (KR)

U.S. PATENT DOCUMENTS

(72) Inventors: **Kwang-Hyuck So**, Seoul (KR);
Jong-Kyu Kim, Yongin-si (KR)

D549,772 S *	8/2007	Mase	D18/55
D562,886 S *	2/2008	Egami	D18/55
D607,928 S *	1/2010	Kim	D18/55
D693,873 S *	11/2013	Fukasawa	D18/55
D697,964 S *	1/2014	Fukasawa	D18/55
D697,965 S *	1/2014	Fukasawa	D18/55
D724,141 S *	3/2015	Kim	D18/55
D725,184 S *	3/2015	Kim	D18/55
D725,185 S *	3/2015	Kim	D18/55

(73) Assignee: **SAMSUNG ELECTRONICS CO., LTD.** (KR)

(**) Term: **14 Years**

* cited by examiner

(21) Appl. No.: **29/504,001**

Primary Examiner — Cathy Anne MacCormac

(22) Filed: **Oct. 1, 2014**

(74) *Attorney, Agent, or Firm* — Cantor Colburn LLP

(30) **Foreign Application Priority Data**

(57) **CLAIM**

We claim the ornamental design for a printer, as shown and described.

Apr. 17, 2014 (KR) 30-2014-0019483

DESCRIPTION

(51) **LOC (10) Cl.** **14-02**

FIG. 1 is a front perspective view of a printer showing our new design;

(52) **U.S. Cl.**

USPC **D18/50**

FIG. 2 is a front view thereof;

(58) **Field of Classification Search**

USPC D18/36-9, 5, 54, 54.1, 55;
D14/420-425, 462-470; 400/613,
400/613.1-613.4, 690.1-690.4, 691-694

FIG. 3 is a rear view thereof;

FIG. 4 is a left-side view thereof;

FIG. 5 is a right-side view thereof;

FIG. 6 is a top view thereof; and,

FIG. 7 is a bottom view thereof.

CPC B41J 3/4074; B41J 11/58; B41J 13/00;
B41J 13/106; B41J 15/12; B41J 17/00;
B41J 29/02; B41J 29/08

The broken lines depict environmental subject matter, are for illustration only and form no part of the claimed design.

See application file for complete search history.

1 Claim, 7 Drawing Sheets

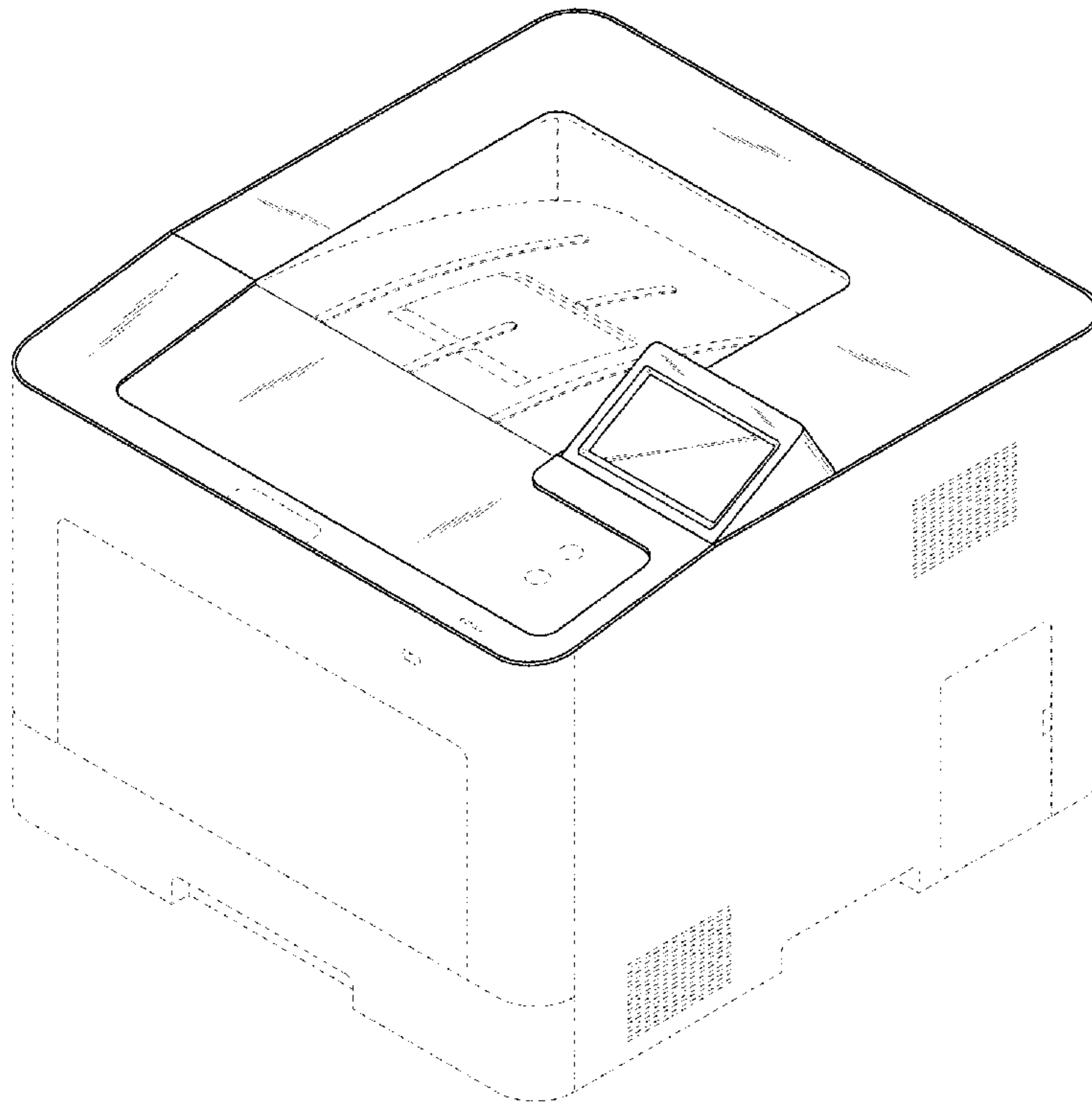


FIG.1

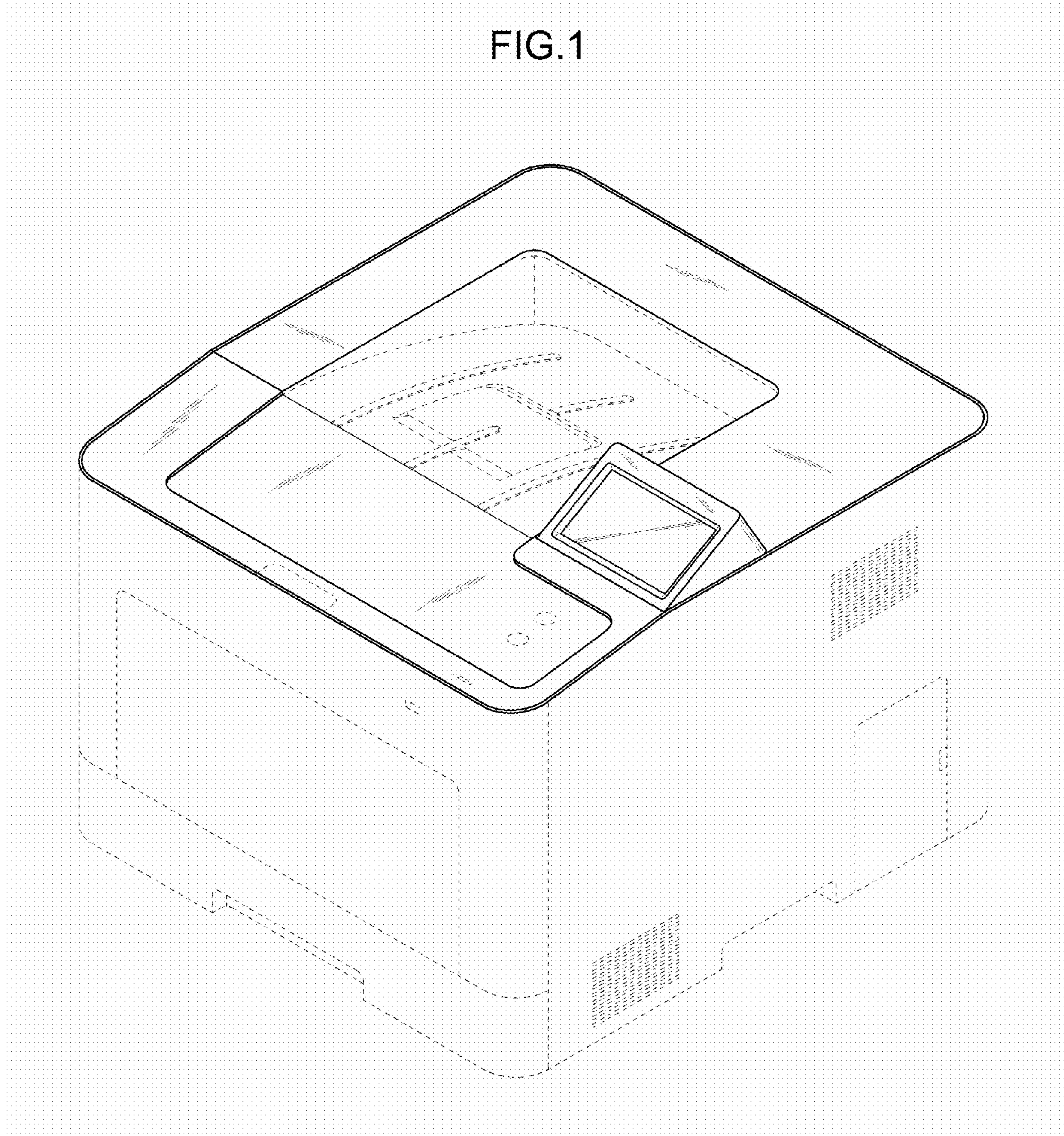


FIG.2

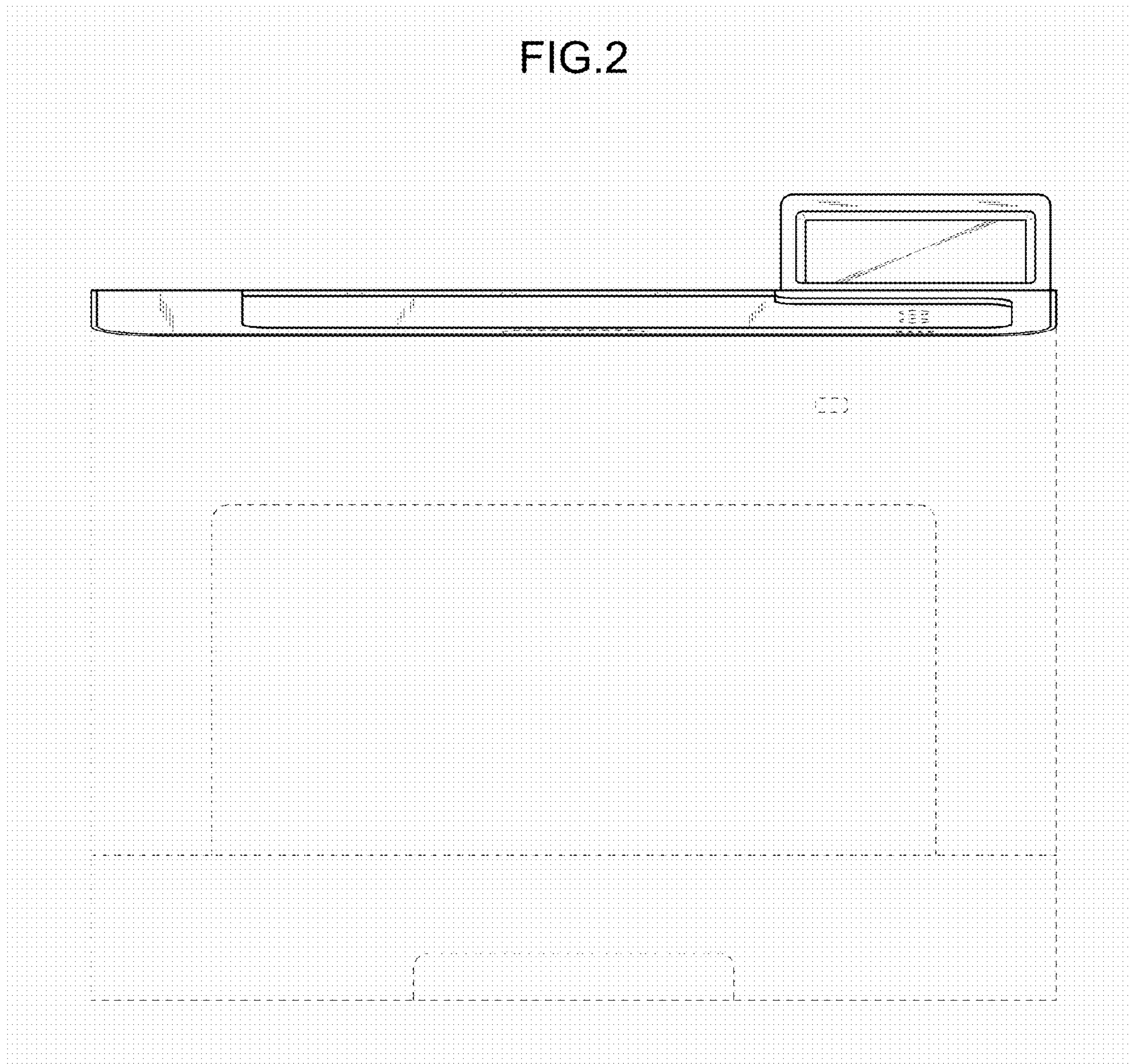


FIG.3

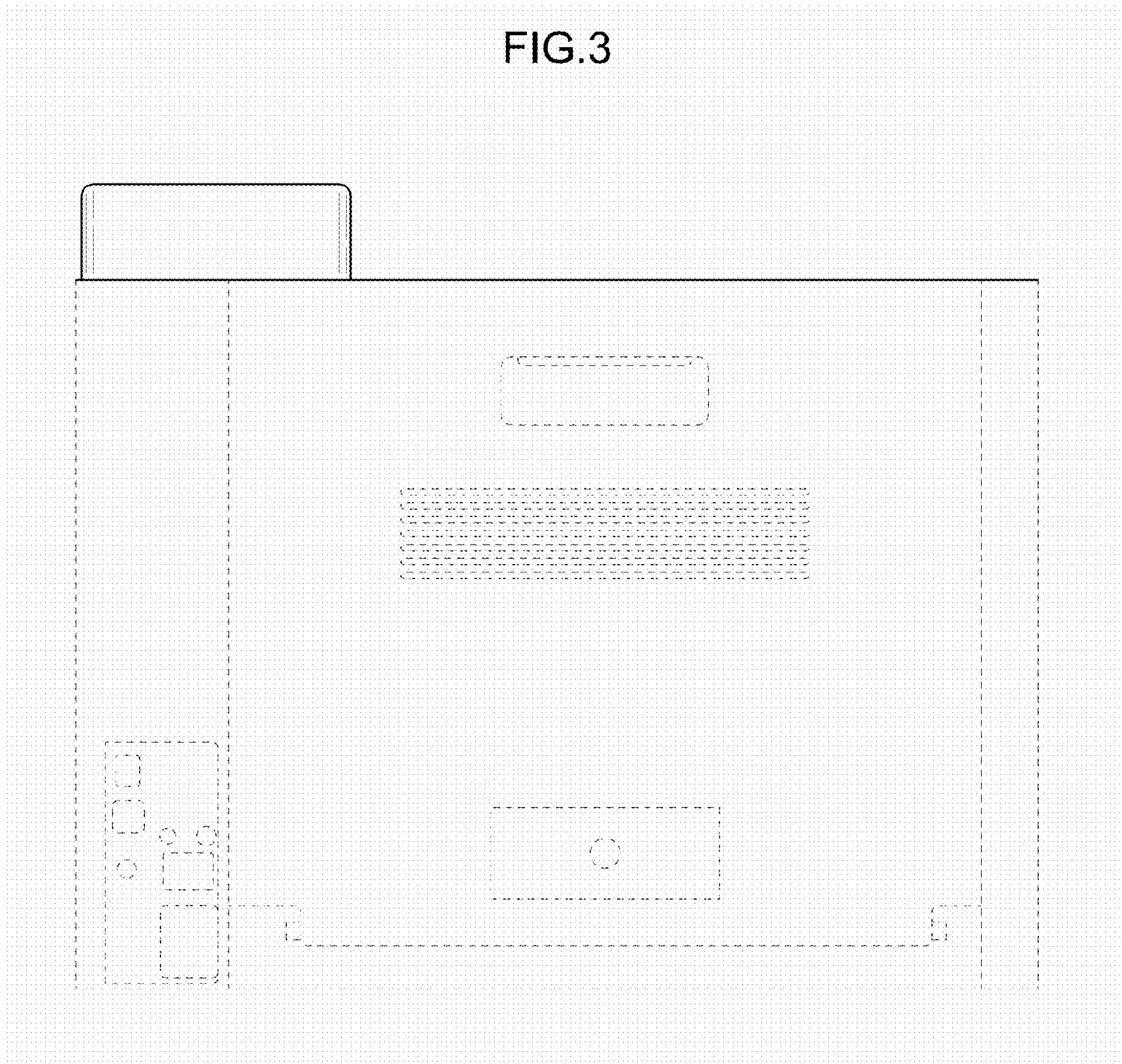


FIG.4

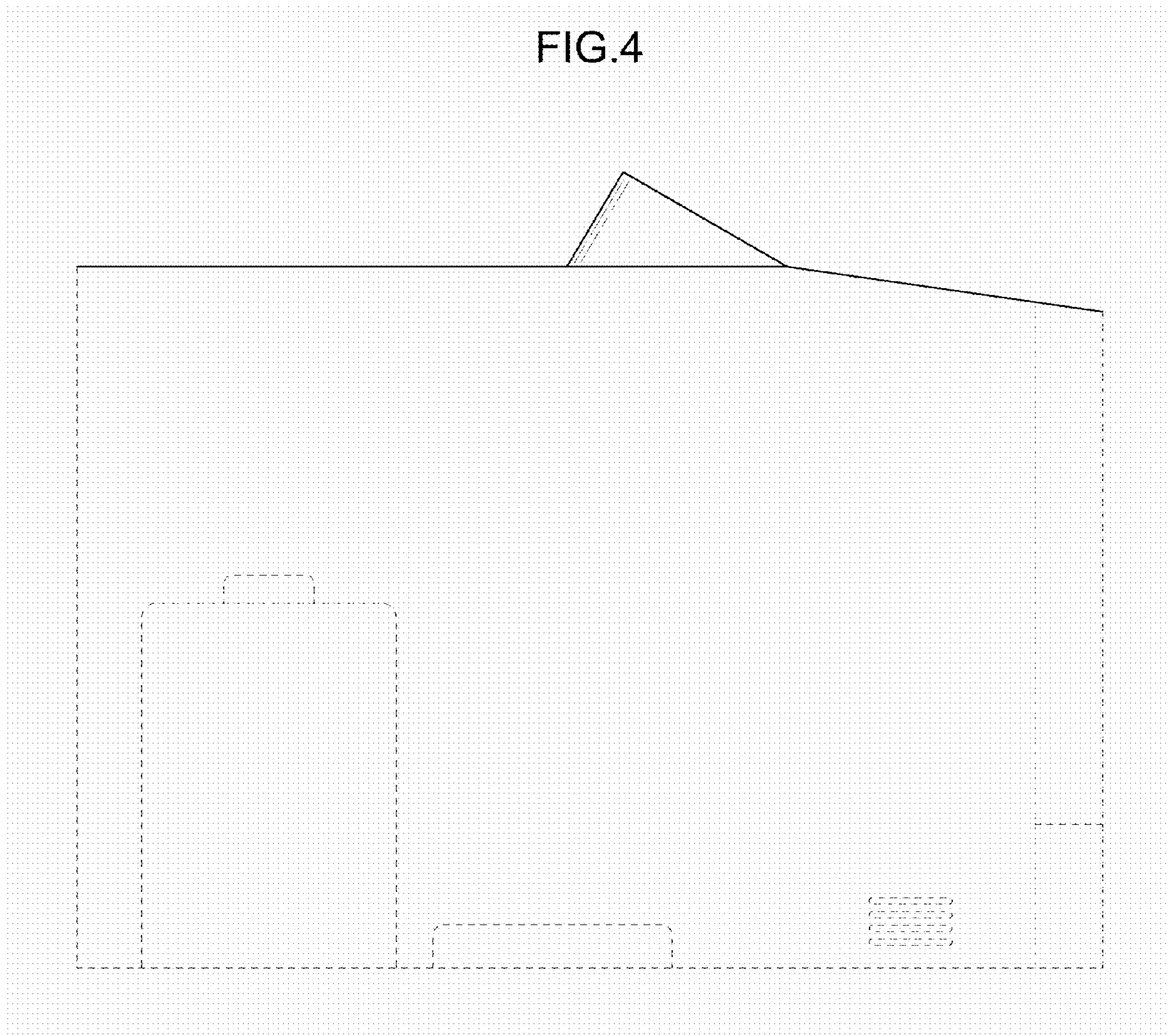


FIG.5

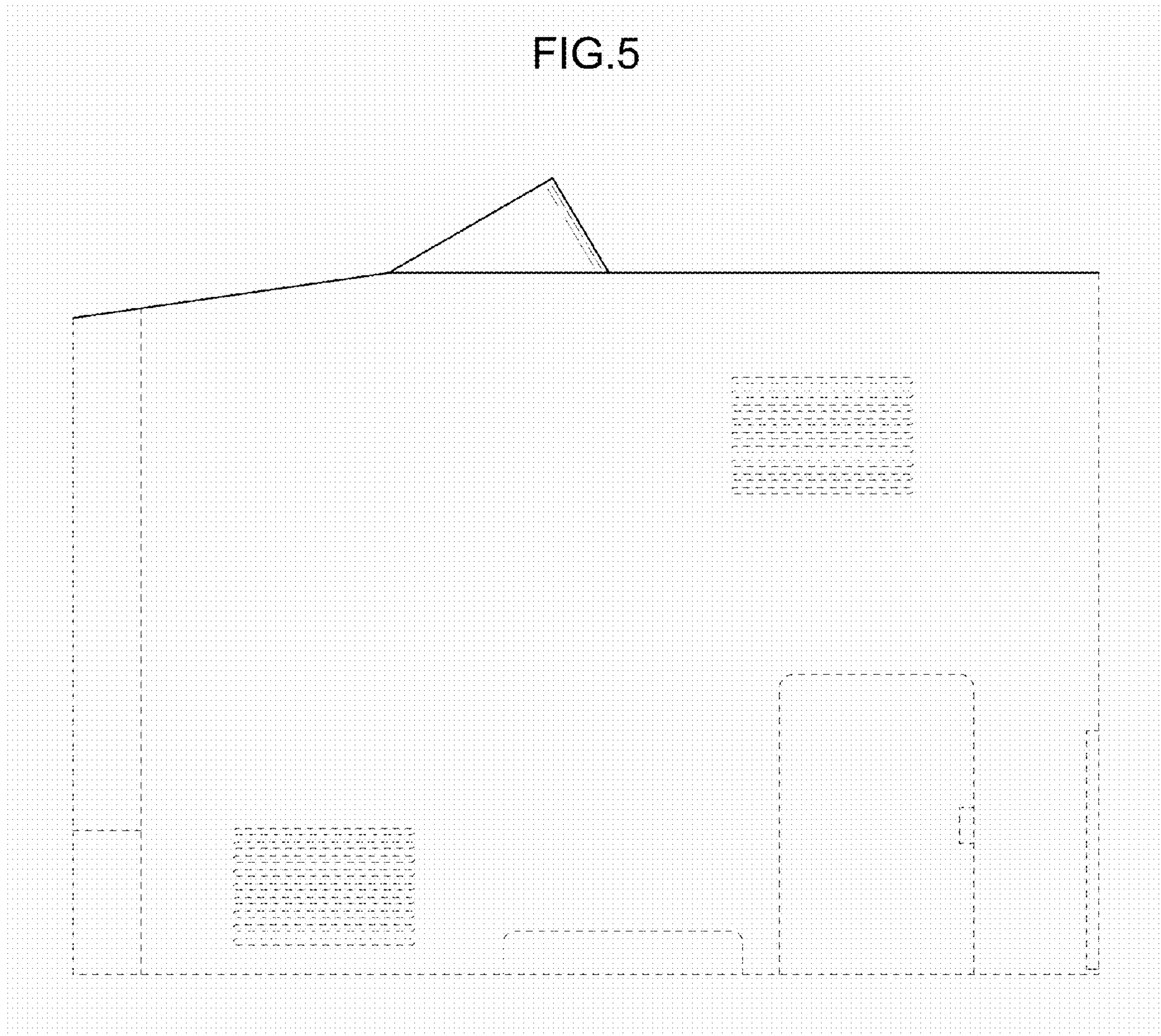


FIG.6

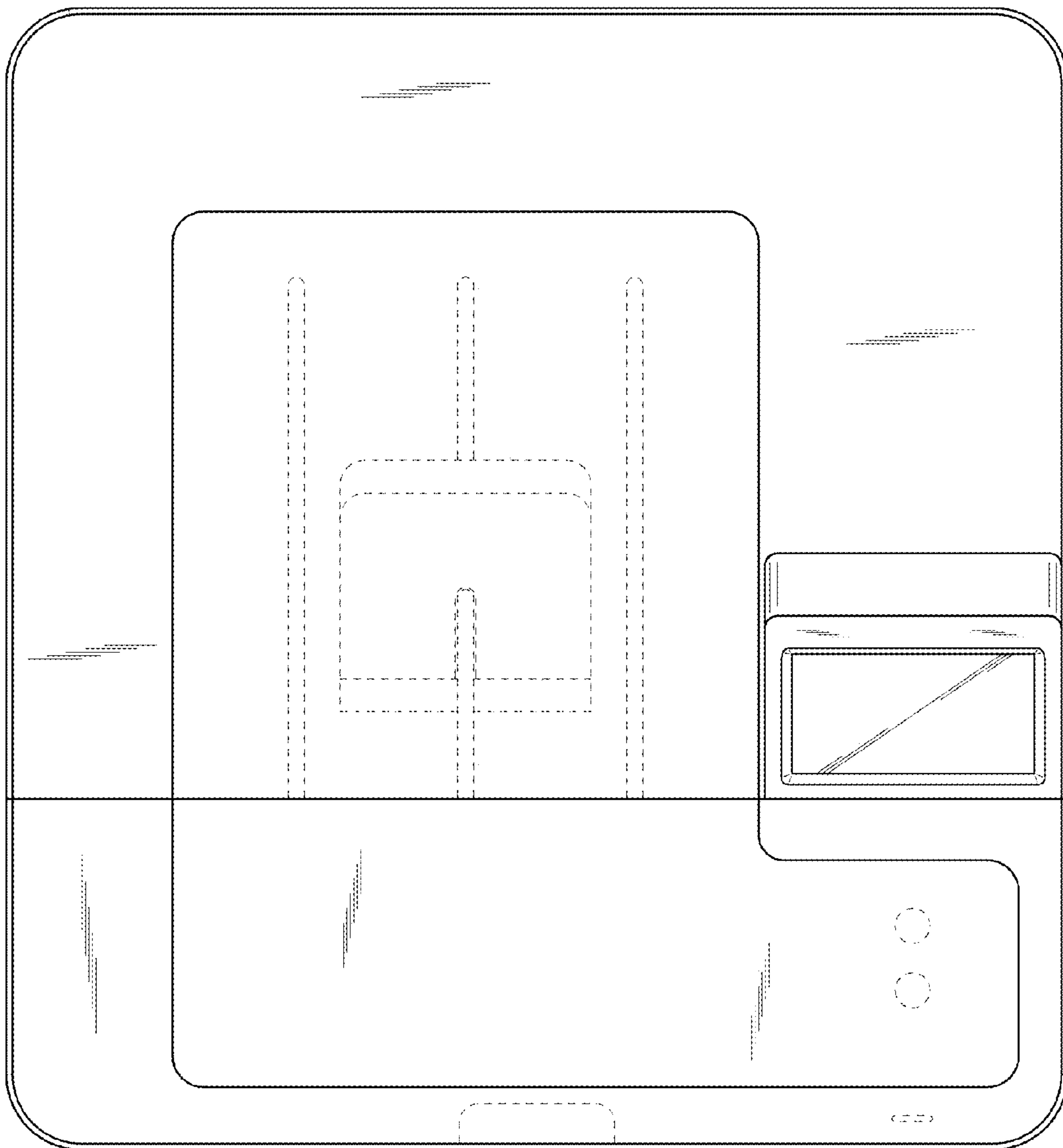


FIG.7

