



US00D750163S

(12) **United States Design Patent**
Arima et al.

(10) **Patent No.:** **US D750,163 S**

(45) **Date of Patent:** **** Feb. 23, 2016**

(54) **INK JET PRINTER**

(56) **References Cited**

(71) Applicant: **Hitachi Industrial Equipment Systems Co., Ltd.**, Tokyo (JP)

U.S. PATENT DOCUMENTS

(72) Inventors: **Takahiro Arima**, Tokyo (JP); **Takehiko Matsushita**, Tokyo (JP); **Akira Miyao**, Tokyo (JP); **Nobuhiro Harada**, Tokyo (JP); **Toshiyuki Toyonaga**, Tokyo (JP)

D181,794	S	*	12/1957	Hohmann	D18/54
D199,825	S	*	12/1964	Stevens et al.	D18/54
D232,055	S	*	7/1974	Frick	D18/54
D233,061	S	*	10/1974	Black et al.	D20/2
D239,719	S	*	4/1976	Tooke	D18/54
D290,258	S	*	6/1987	Weisz et al.	D18/54
D315,361	S	*	3/1991	Kojima et al.	D18/55
D344,080	S	*	2/1994	Omino	D14/468
6,367,996	B1	*	4/2002	Edwards	400/693
7,195,412	B2	*	3/2007	Silverbrook et al.	400/693
D617,830	S	*	6/2010	Lecheheb et al.	D18/59
D642,179	S	*	7/2011	Kuroda et al.	D14/422
D642,180	S	*	7/2011	Hampf et al.	D14/422
D660,349	S	*	5/2012	Hiraguchi et al.	D18/50
D669,526	S	*	10/2012	Sakurai	D18/50
D671,542	S	*	11/2012	Siekmann et al.	D14/422
D674,838	S	*	1/2013	Kano et al.	D18/50
D699,783	S	*	2/2014	Abe et al.	D18/50
D703,736	S	*	4/2014	Best et al.	D18/50

(73) Assignee: **HITACHI INDUSTRIAL EQUIPMENT SYSTEMS CO., LTD.**, Tokyo (JP)

(**) Term: **14 Years**

(21) Appl. No.: **29/495,273**

(22) Filed: **Jun. 30, 2014**

(30) **Foreign Application Priority Data**

Jan. 7, 2014 (JP) 2014-000051

(51) **LOC (10) Cl.** **14-02**

(52) **U.S. Cl.**
USPC **D18/50**

(58) **Field of Classification Search**
USPC D18/14, 19, 50, 53, 54, 54.1, 55, 4.1, D18/4.3-4.5; D14/420-425, 462-470; 400/613, 613.1-613.4, 690.1-690.4, 400/691-694
CPC B41J 1/46; B41J 3/36; B41J 9/26; B41J 15/00; B41J 29/02; B41J 29/13; B41J 35/36; B41J 11/00; B41J 11/20; B41J 29/00; B65H 35/06; G03G 15/00; G03G 21/00; G03G 21/16; G06F 3/12; G06K 15/14

See application file for complete search history.

* cited by examiner

Primary Examiner — Cathy Anne MacCormac

(74) *Attorney, Agent, or Firm* — Baker Botts L.L.P.

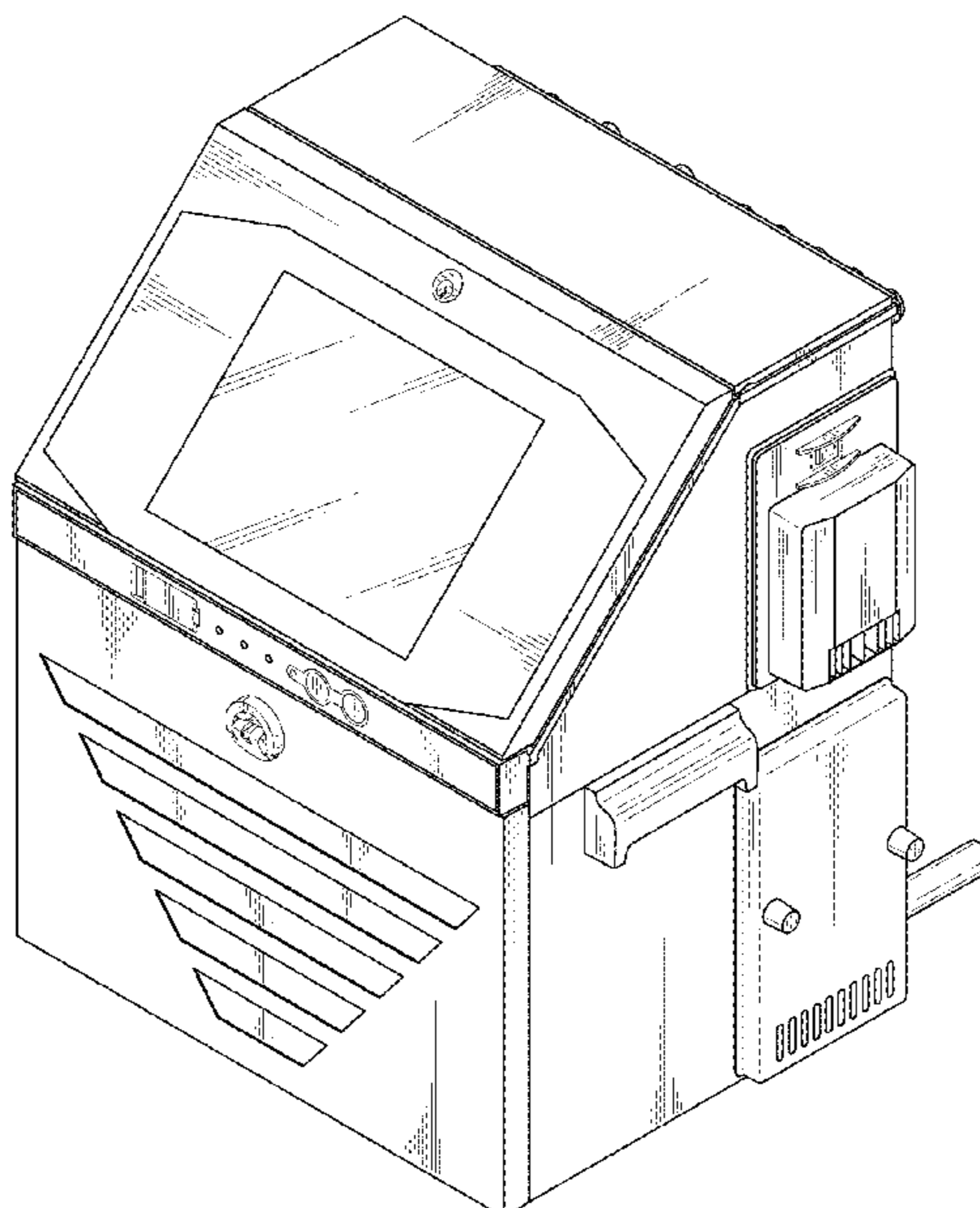
(57) **CLAIM**

The ornamental design for an ink jet printer, as shown.

DESCRIPTION

FIG. 1 is a front, top, and right side perspective view of an ink jet printer showing our new design;
FIG. 2 is a front elevational view thereof;
FIG. 3 is a rear elevational view thereof;
FIG. 4 is a left side elevational view thereof;
FIG. 5 is a right side elevational view thereof;
FIG. 6 is a top plan view thereof; and,
FIG. 7 is a bottom plan view thereof.

1 Claim, 7 Drawing Sheets



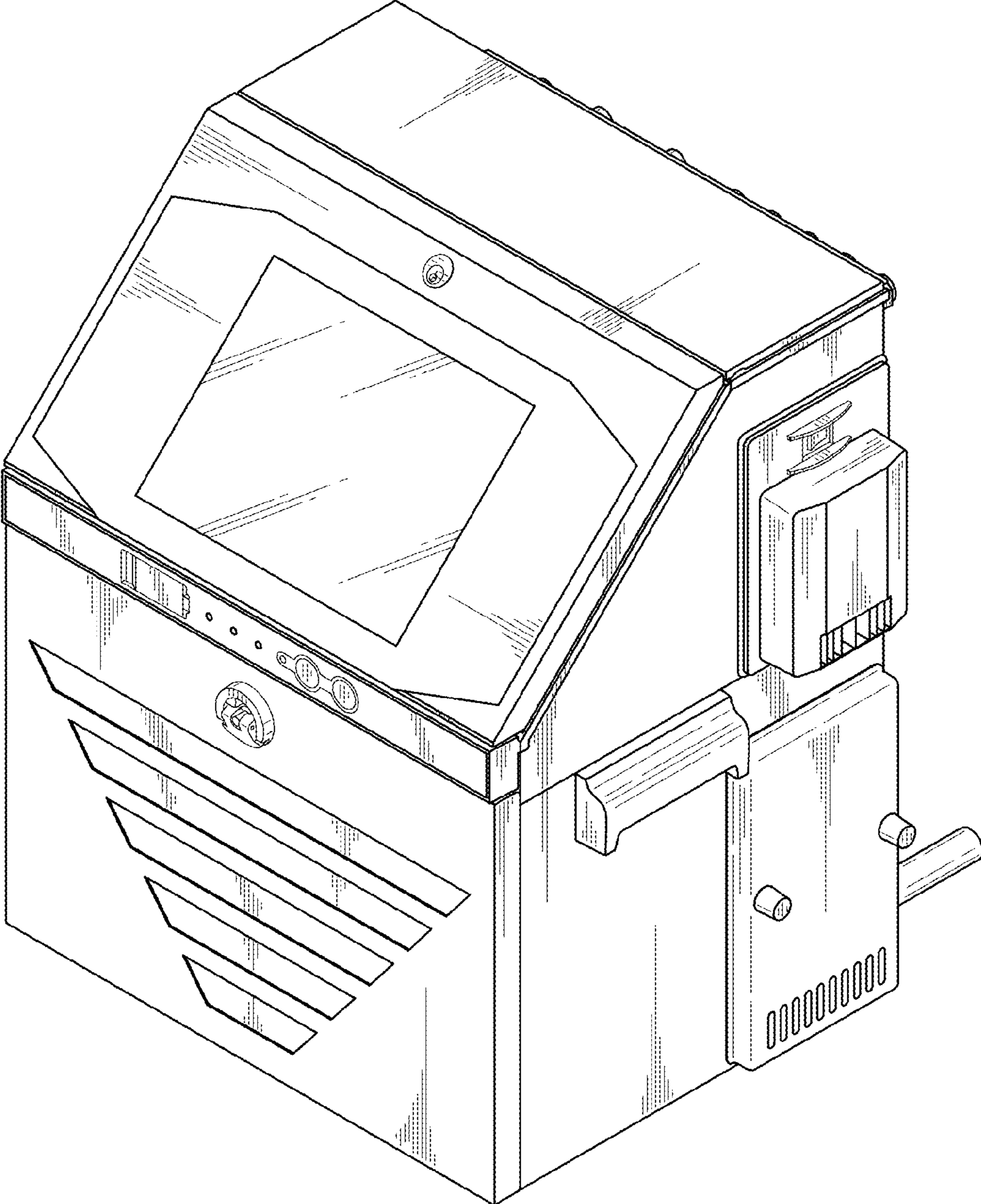


FIG. 1

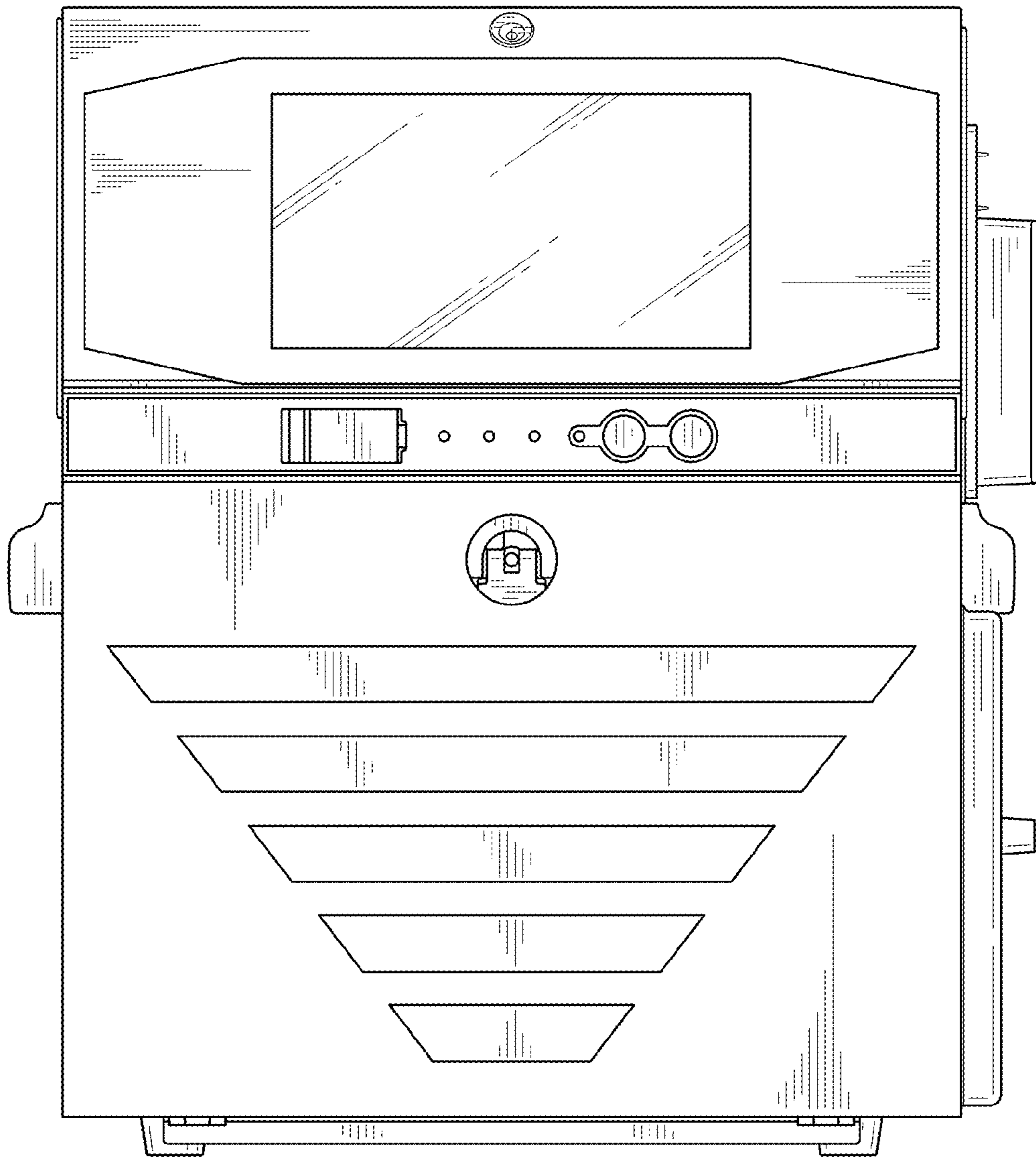


FIG. 2

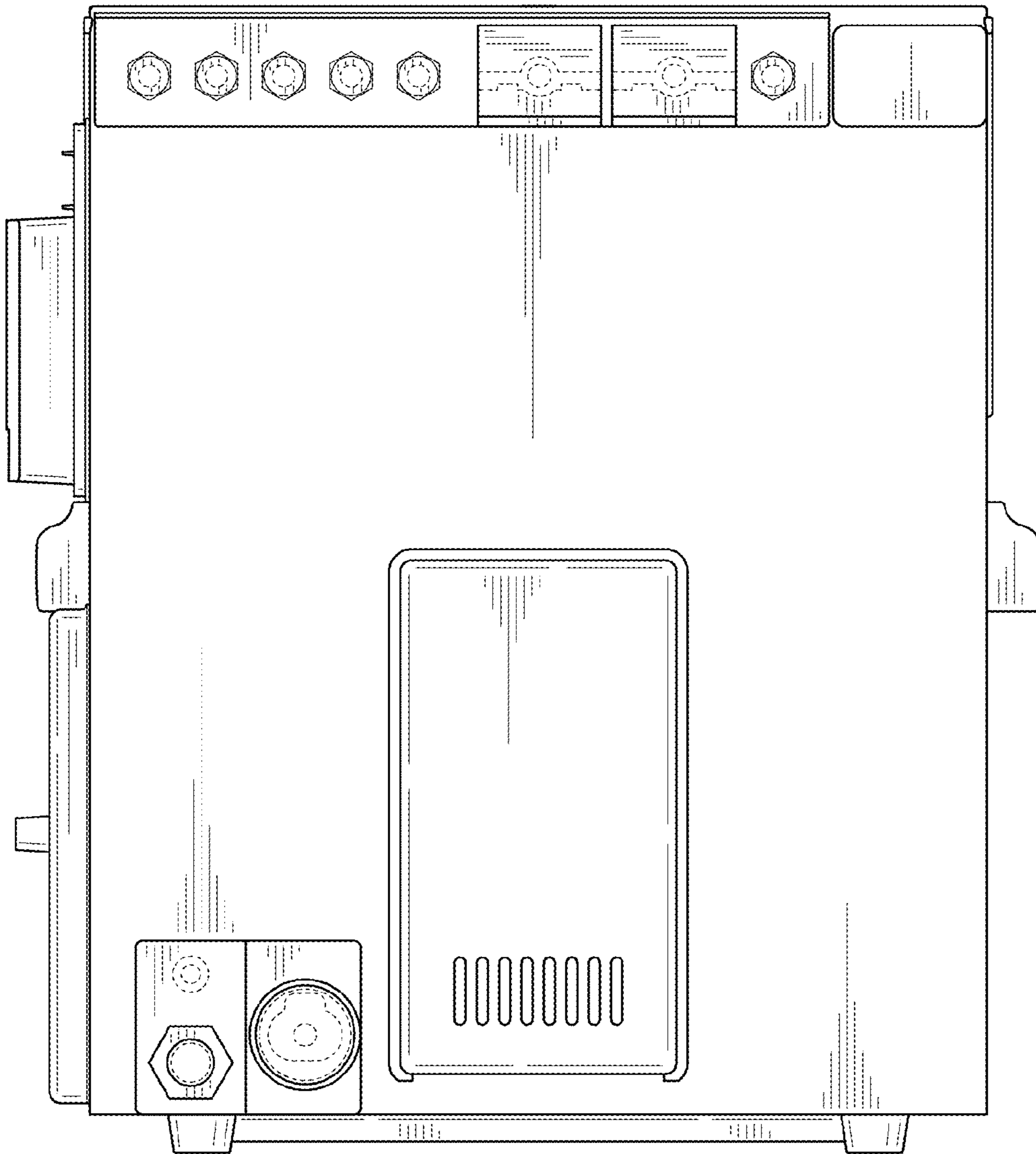


FIG. 3

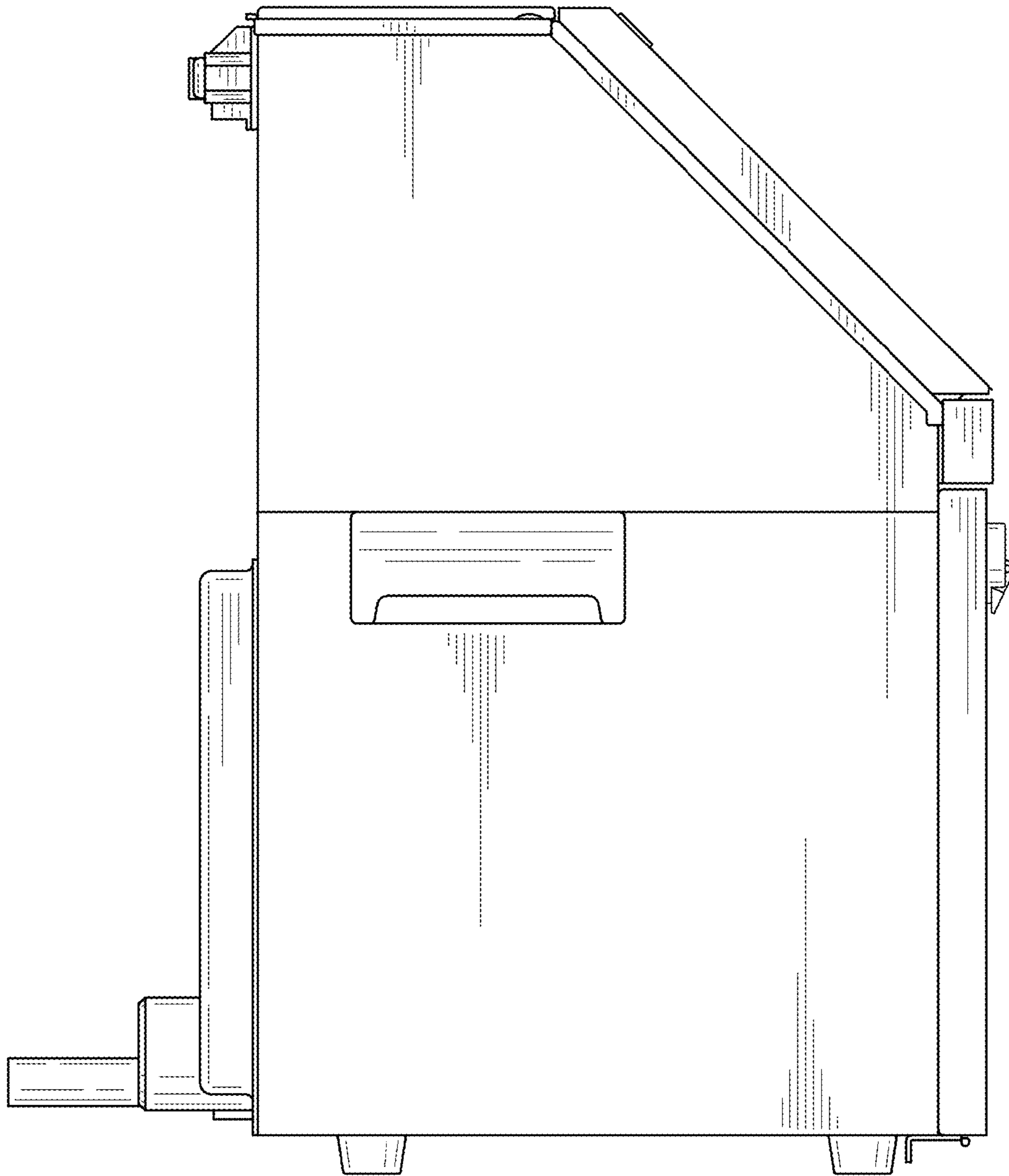


FIG. 4

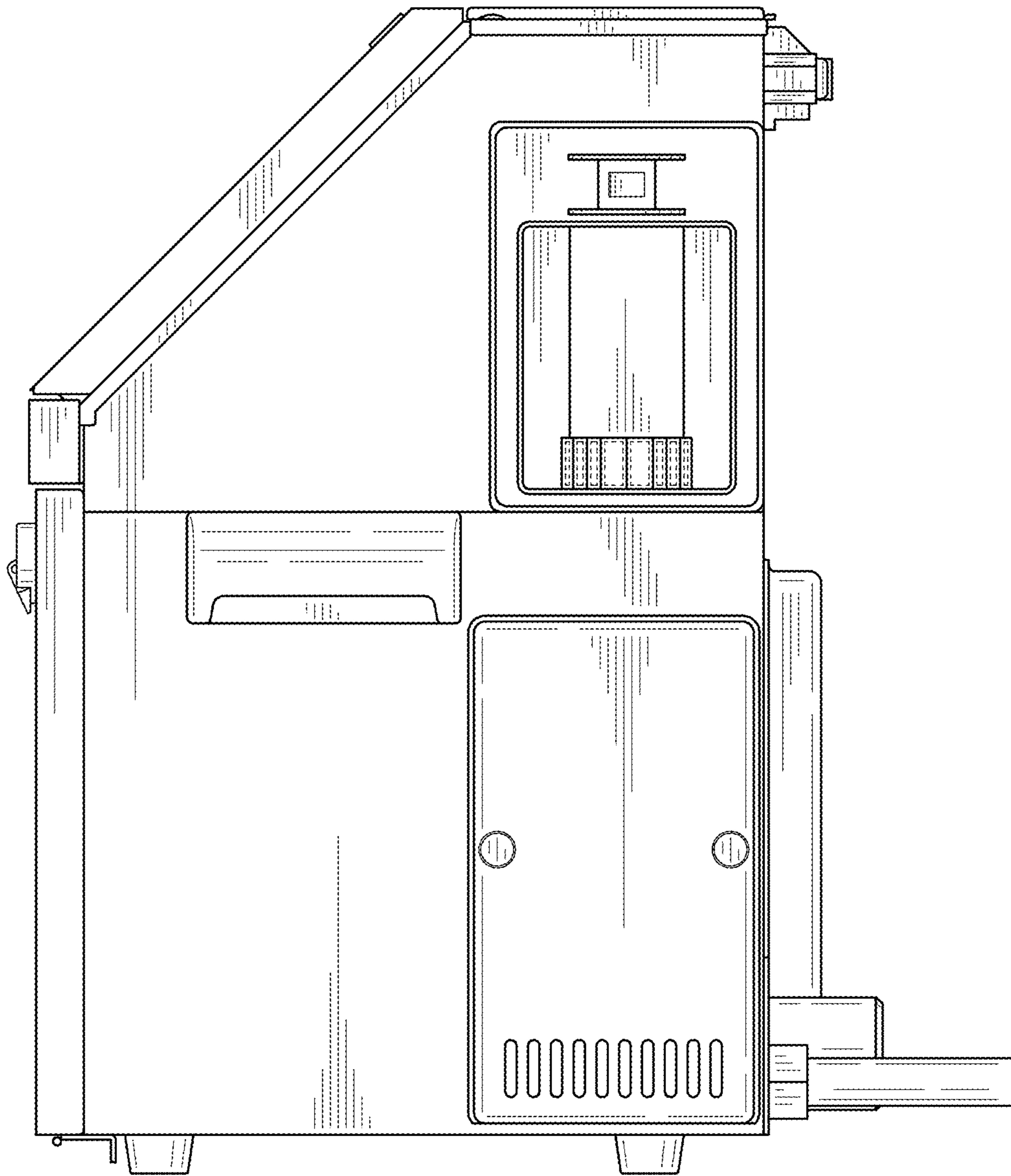


FIG. 5

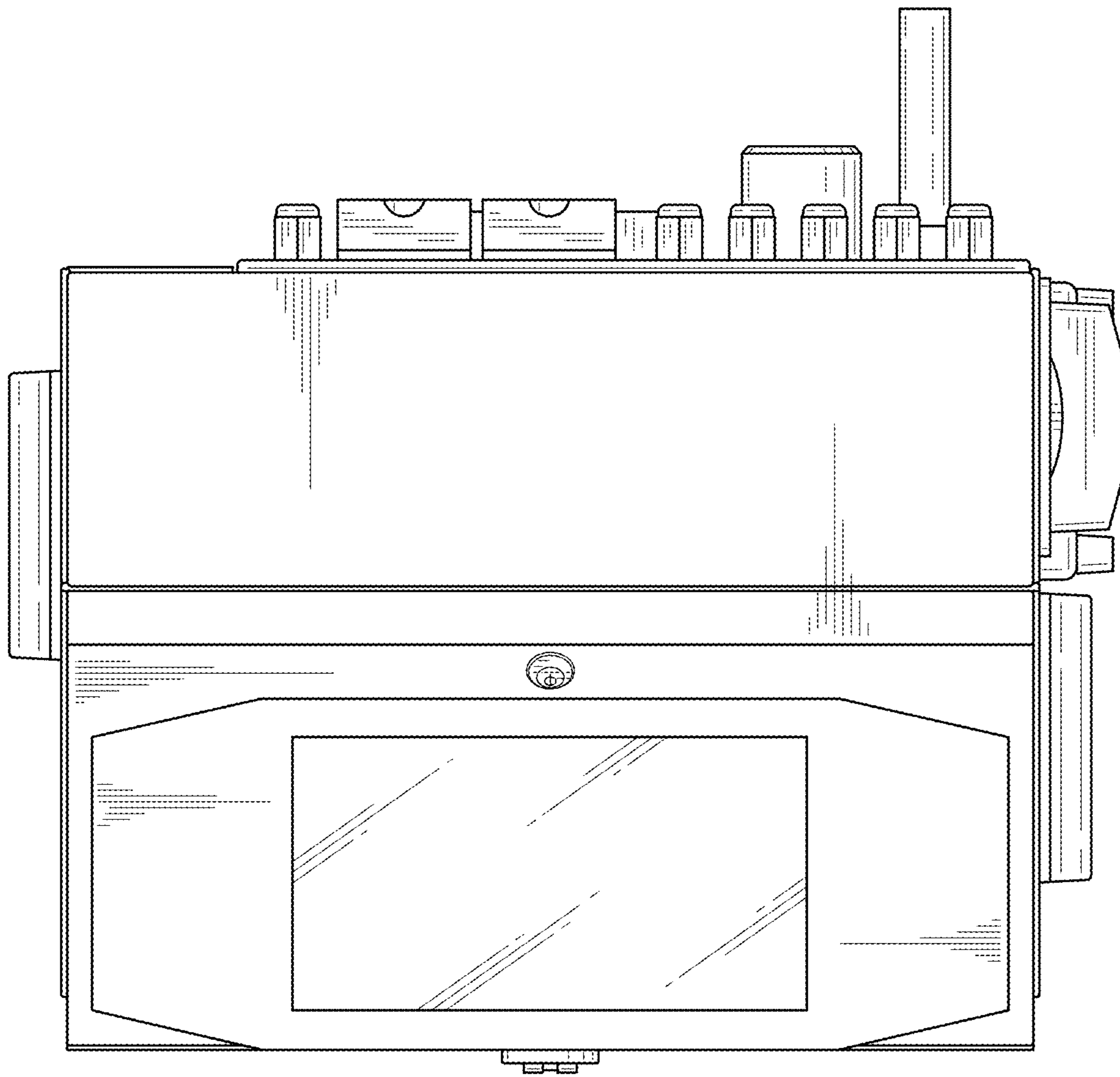


FIG. 6

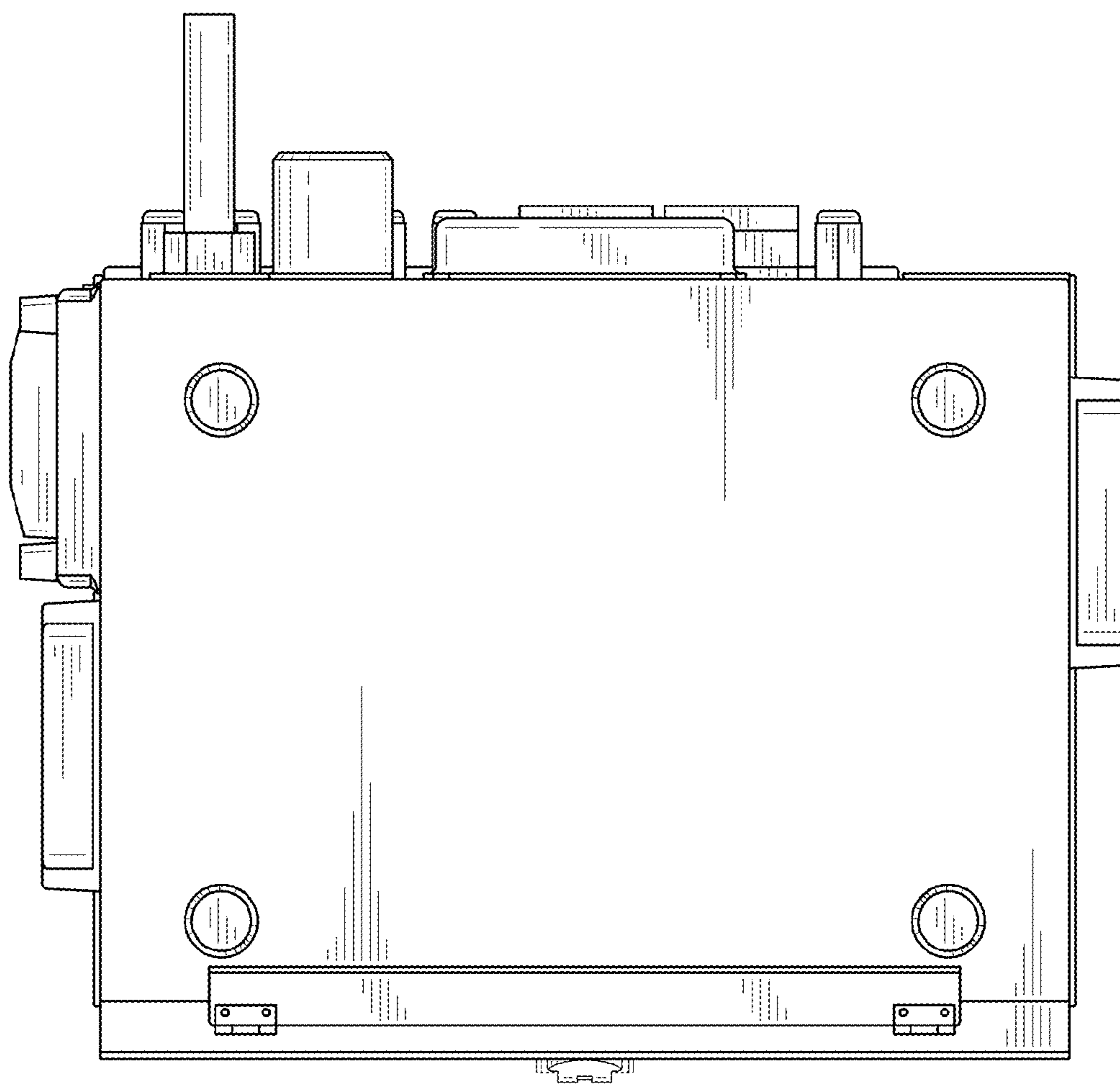


FIG. 7