



US00D750160S

(12) **United States Design Patent**  
**Baldwin**

(10) **Patent No.:** **US D750,160 S**

(45) **Date of Patent:** **\*\* \*Feb. 23, 2016**

(54) **SLIDE CUTTER WITH CORNER EDGE**

(71) Applicant: **Polyvinyl Films, Inc.**, Sutton, MA (US)

(72) Inventor: **John E. Baldwin**, Rumford, RI (US)

(73) Assignee: **POLYVINYL FILMS, INC.**, Sutton, MA (US)

(\* ) Notice: This patent is subject to a terminal disclaimer.

(\*\*) Term: **14 Years**

(21) Appl. No.: **29/495,030**

(22) Filed: **Jun. 26, 2014**

(51) **LOC (10) Cl.** ..... **18-04**

(52) **U.S. Cl.**  
USPC ..... **D18/34.9**

(58) **Field of Classification Search**

USPC ..... D18/34.1, 34.3, 34.7, 34.8, 34.9;  
D15/127; 83/605, 407, 408, 455, 600,  
83/601, 698.11; 30/155, 159-163, 318  
CPC ..... B26D 2007/005; B26D 2007/0087;  
B26D 2001/0053; B26D 1/025; B26D 1/035;  
B26D 1/045; B26D 1/065; B26D 1/08;  
B26D 1/085; B26D 1/10; B26D 1/105;  
B26D 1/125; B26D 1/147; B26D 1/1475;  
B26D 1/15; B26D 1/151; B26D 1/153;  
B26D 1/1535; B26D 1/185; B26D 1/305;  
B26D 1/34; B26D 1/345; B26D 1/36; B26D  
1/365; B26D 1/38; B26D 1/385; B26D 1/56;  
B26D 1/565; B26D 1/58; B26D 1/585;  
B26D 5/083; B26D 7/015; B26D 7/025;  
B26D 7/22; B23D 35/008; Y10T 83/7763;  
Y10T 83/8822; Y10T 83/885; Y10T 83/8851;  
Y10T 83/7507; Y10T 83/955; Y10T 83/8874;  
Y10T 83/8814

See application file for complete search history.

(56) **References Cited**

U.S. PATENT DOCUMENTS

794,013 A 7/1905 Hill  
3,277,760 A 10/1966 Keene et al.

(Continued)

FOREIGN PATENT DOCUMENTS

JP 58217576 A 12/1983

OTHER PUBLICATIONS

YouTube. <URL: <https://www.youtube.com/watch?v=WL2L1sfuABU>>. Jan. 8, 2015. TiteCut slide cutter.\*

*Primary Examiner* — Bridget L Eland

*Assistant Examiner* — Lauren McVey

(74) *Attorney, Agent, or Firm* — Adler Pollock & Sheehan P.C.; George N. Chaclas, Esq.; Daniel J. Holmander, Esq.

(57) **CLAIM**

The ornamental design for a slide cutter with corner edge, as shown and described.

**DESCRIPTION**

FIG. 1 is a top perspective view of the slide cutter with corner edge according to the present disclosure.

FIG. 2 is a front view of the slide cutter with corner edge according to the present disclosure.

FIG. 3 is a back view of the slide cutter with corner edge according to the present disclosure.

FIG. 4 is a right side end view of the slide cutter with corner edge according to the present disclosure.

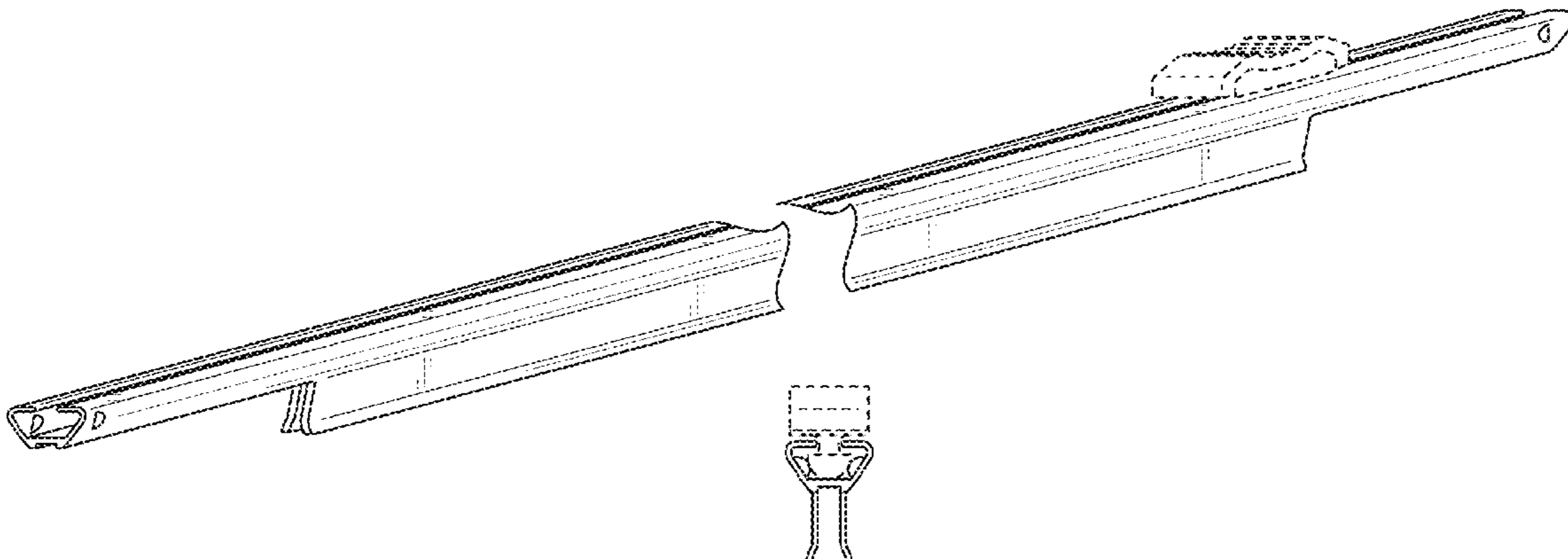
FIG. 5 is a left side end view of the slide cutter with corner edge according to the present disclosure.

FIG. 6 is a top view of the slide cutter with corner edge according to the present disclosure; and,

FIG. 7 is a bottom view of the slide cutter with corner edge according to the present disclosure.

The broken away symbols in the drawings indicate the appearance of any portion of the article between the break lines forms no part of the claimed design.

**1 Claim, 4 Drawing Sheets**



(56)

References Cited

U.S. PATENT DOCUMENTS

3,549,066	A	12/1970	Wankow	6,223,639	B1 *	5/2001	Chen	.....	B26D 1/045 225/93
3,821,815	A	6/1974	Larrable	D467,609	S *	12/2002	Mori	.....	D18/34.9
3,821,915	A	7/1974	Larrable	D469,461	S	1/2003	Gstalter		
4,196,647	A	4/1980	Fish	6,786,123	B1 *	9/2004	Chen	.....	B26D 1/185 83/485
4,197,774	A	4/1980	Singh et al.	7,000,520	B2	2/2006	Nichols et al.		
4,210,043	A	7/1980	Urion et al.	D529,945	S *	10/2006	Gunter	.....	D18/34.9
4,856,975	A	8/1989	Gearhart	D559,307	S	1/2008	Lam et al.		
4,960,022	A	10/1990	Chuang	7,918,151	B2	4/2011	Vegliante et al.		
D317,939	S *	7/1991	Judd	7,921,756	B2	4/2011	Vegliante et al.		
5,052,256	A *	10/1991	Morrissey	2003/0140761	A1	7/2003	Schulz		
			.....	2004/0187318	A1	9/2004	Mathieu et al.		
			.....	2004/0206222	A1	10/2004	Chuang		
			.....	2006/0266191	A1 *	11/2006	Shih	.....	B26D 1/205 83/614
5,243,890	A	9/1993	Ober	2007/0044617	A1	3/2007	Pavlik		
5,273,809	A	12/1993	Simmons	2008/0005882	A1 *	1/2008	Kaiser	.....	B26D 1/065 83/455
5,292,046	A	3/1994	Kaiser et al.	2011/0192265	A1 *	8/2011	Yoder	.....	B26B 29/06 83/522.19
5,398,576	A	3/1995	Chiu	2012/0111169	A1 *	5/2012	Blalock	.....	B26B 3/08 83/614
5,440,961	A	8/1995	Lucas, Jr. et al.						
5,524,515	A	6/1996	Boda						
D379,193	S	5/1997	Cornell						
6,035,755	A *	3/2000	Mori						
			.....						
			.....						
D425,548	S	5/2000	Rellinger						

\* cited by examiner

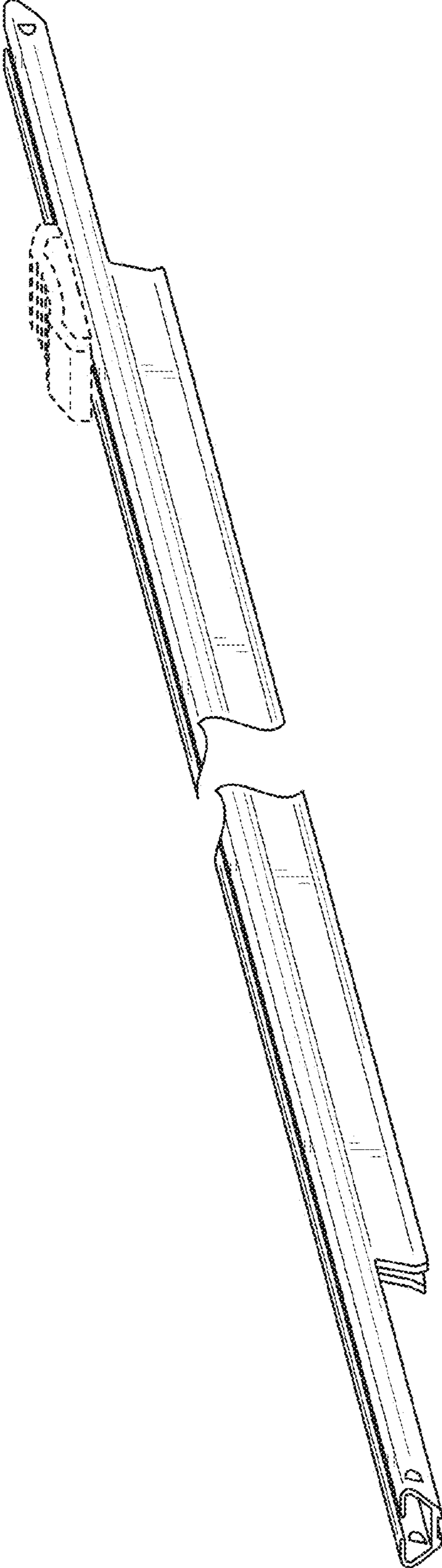


FIG. 1

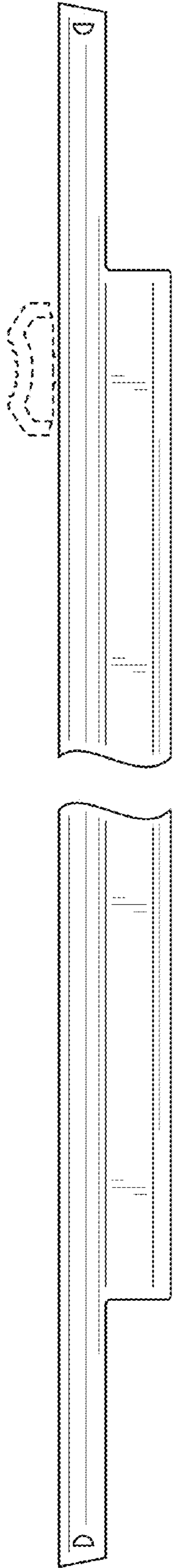


FIG. 2

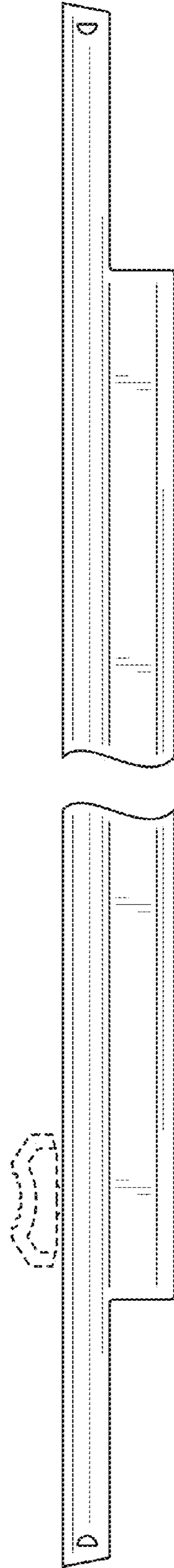


FIG. 3

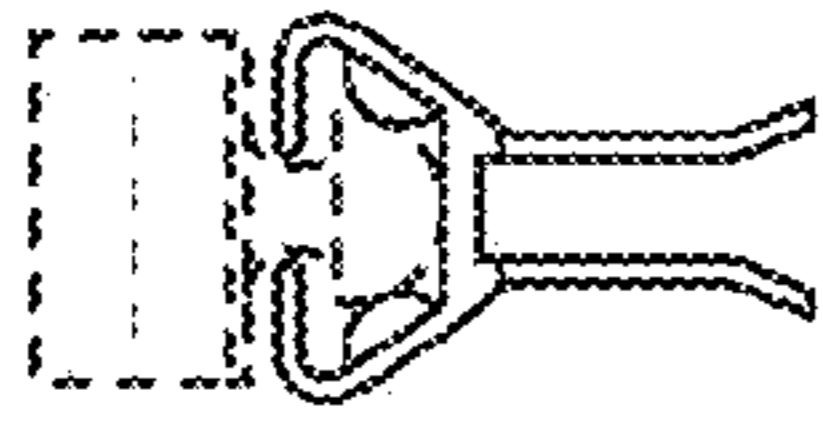


FIG. 4

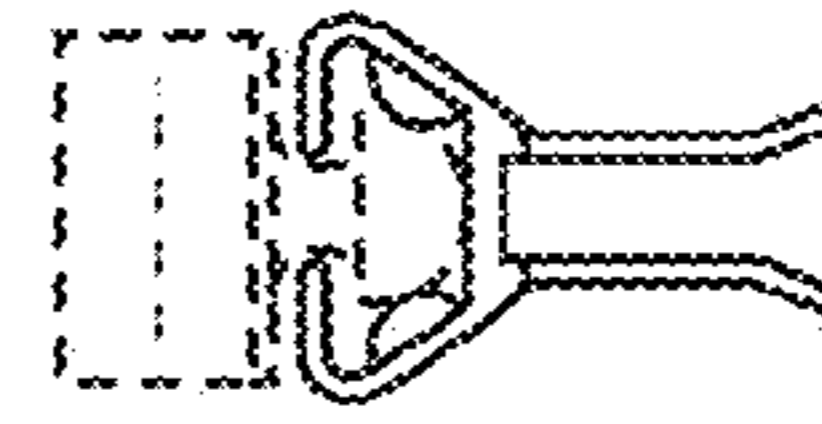


FIG. 5



FIG. 6



FIG. 7