



US00D750154S

(12) **United States Design Patent**
Watson et al.

(10) **Patent No.:** **US D750,154 S**
(45) **Date of Patent:** **** Feb. 23, 2016**

(54) **MOUNTING PLATE FOR A CAMERA**

FOREIGN PATENT DOCUMENTS

(71) Applicant: **RA Brands, L.L.C.**, Madison, NC (US)

CA	2249186	4/2000
EP	0 324 728	7/1989
JP	2012078616	4/2012

(72) Inventors: **Jason Timothy Watson**, Charlotte, NC (US); **Heyward Alexander Moore**, Charlotte, NC (US)

OTHER PUBLICATIONS

(73) Assignee: **RA Brands, L.L.C.**, Madison, NC (US)

“Modular Harness System”, <http://www.rayallen.com/category/modular-harness-systems>, 3 pages, accessed Jul. 1, 2014.

(**) Term: **14 Years**

(Continued)

(21) Appl. No.: **29/498,888**

Primary Examiner — Susan Bennett Hattan

(22) Filed: **Aug. 8, 2014**

Assistant Examiner — Leanne Was

(51) **LOC (10) Cl.** **16-05**

(74) *Attorney, Agent, or Firm* — Womble Carlyle Sandridge & Rice, LLP

(52) **U.S. Cl.**
USPC **D16/242**

(58) **Field of Classification Search**
USPC D16/237, 242, 243; D30/144; 224/185; 248/187.1; 396/419, 420, 421, 422, 396/423, 425, 428

(57) **CLAIM**

The ornamental design for a mounting plate for a camera, as shown in the accompanying drawings and described above.

See application file for complete search history.

DESCRIPTION

(56) **References Cited**

U.S. PATENT DOCUMENTS

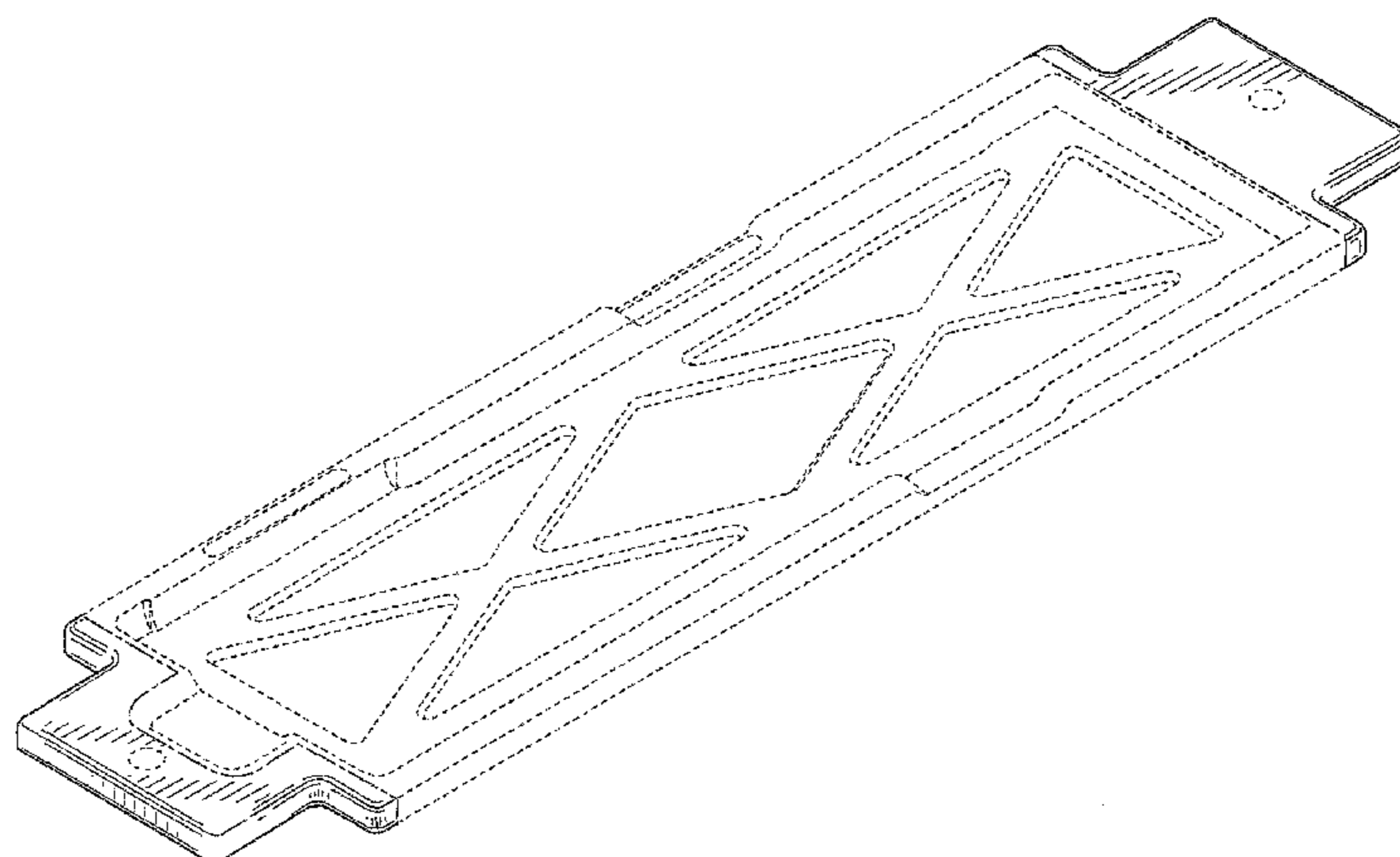
6,033,129	A	3/2000	Foye	
6,196,504	B1	3/2001	Lemke	
6,364,259	B1 *	4/2002	Boudard	248/187.1
D467,451	S *	12/2002	High	D8/349
6,912,976	B2	7/2005	Everett	
D553,961	S *	10/2007	Sato	D8/373
8,171,891	B2 *	5/2012	Rubinstein et al.	119/725
8,302,565	B2	11/2012	Williams	
D676,447	S *	2/2013	Detemple	D14/434
D685,534	S *	7/2013	Selayandia, III	D30/145
8,627,788	B2	1/2014	Sebö	
8,992,495	B1 *	3/2015	Howell	604/385.09
D730,905	S *	6/2015	Li	D14/434
2003/0025792	A1	2/2003	Eberhard	

FIG. 1 is a top perspective view of a mounting plate for a camera, in accordance with the present invention; FIG. 2 is a top plan view of the mounting plate of FIG. 1; FIG. 3 is a bottom plan view of the mounting plate of FIG. 1; FIG. 4 is a left elevation view of the mounting plate of FIG. 1; FIG. 5 is a right elevation view of the mounting plate of FIG. 1; FIG. 6 is a front elevation view of the mounting plate of FIG. 1; and, FIG. 7 is a rear elevation view of the mounting plate of FIG. 1.

The broken lines shown herein depict environmental subject matter and form no part of the claimed design. In FIGS. 1-5, the broken lines in the form of an alternating series of relatively short dashes and relatively long dashes represent bounds of the claimed design.

(Continued)

1 Claim, 5 Drawing Sheets



(56)

References Cited

U.S. PATENT DOCUMENTS

2007/0095304 A1 5/2007 Rosenberg et al.
2010/0199927 A1 8/2010 Cigard et al.
2011/0142436 A1 6/2011 Eynav
2012/0024239 A1 2/2012 Forbes

OTHER PUBLICATIONS

“Special Operations K-9 Harness with Cobra Buckles”, <http://www.elitek9.com/Special-Operations-K-9-Harness-with-Cobra-Buckles/productinfor/MH025/>, 2 pages, accessed Jul. 1, 2014.

* cited by examiner

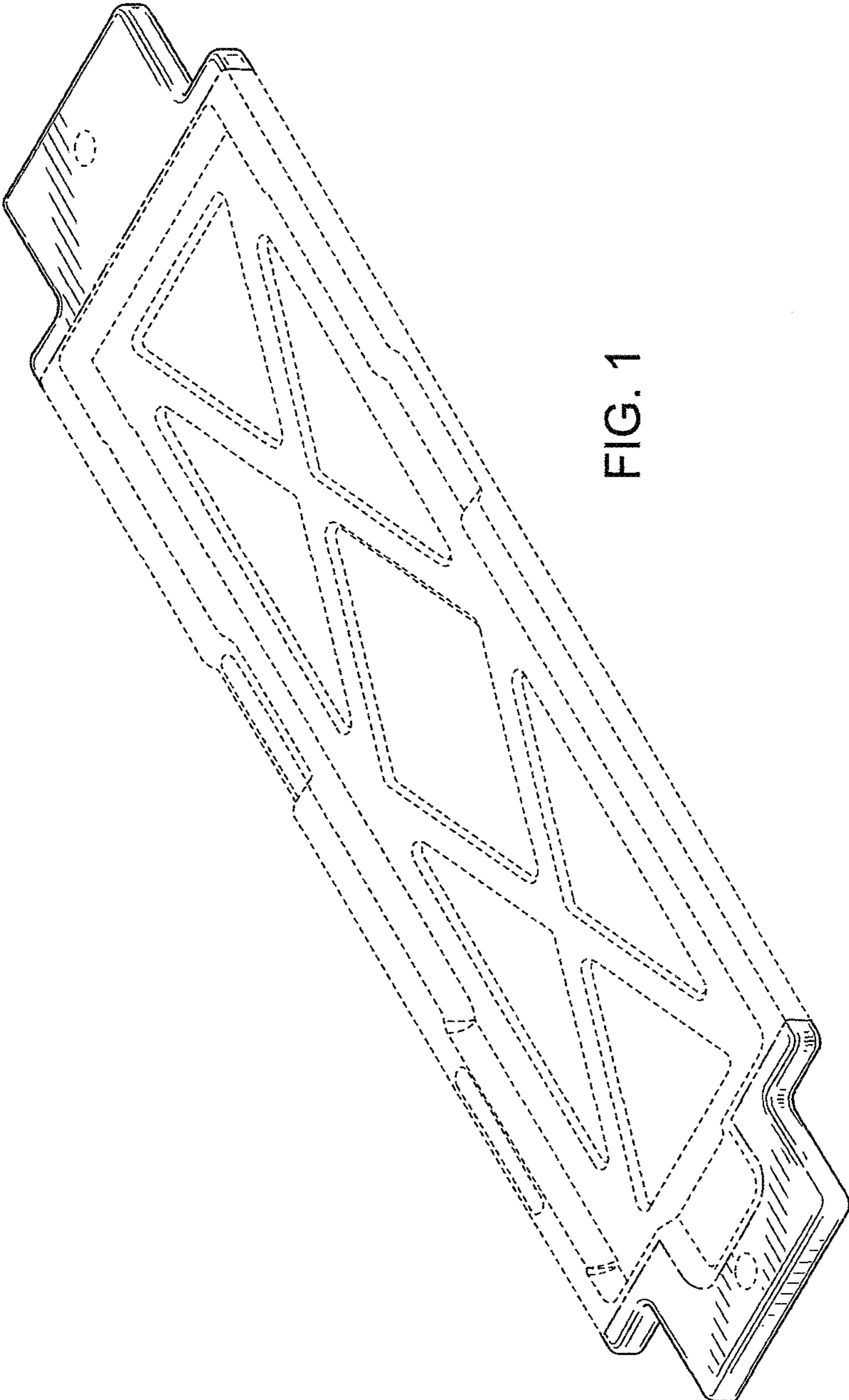


FIG. 1

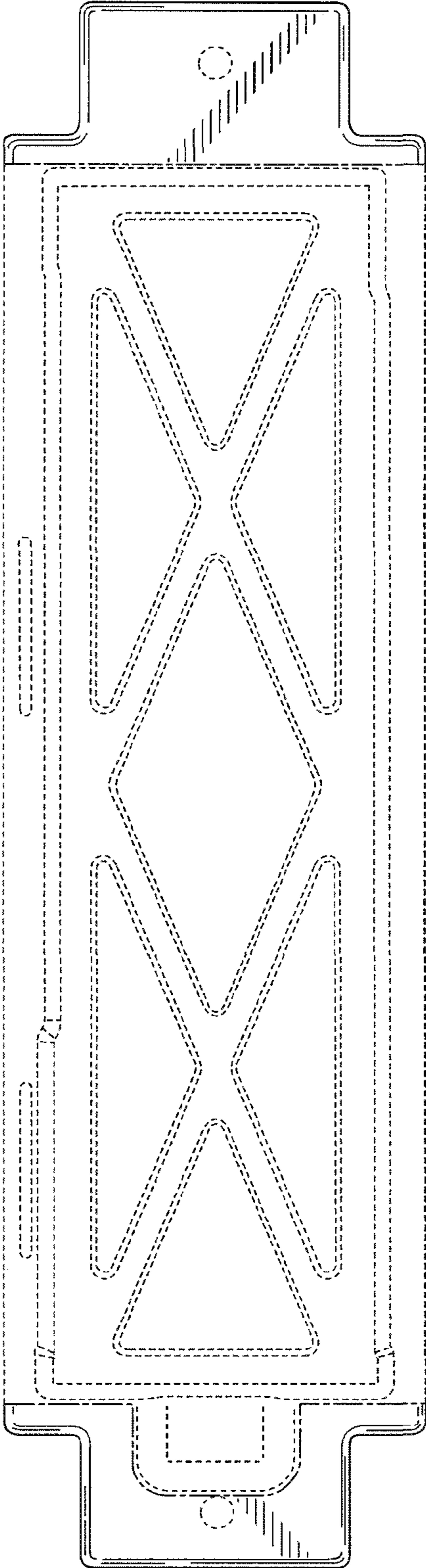


FIG. 2

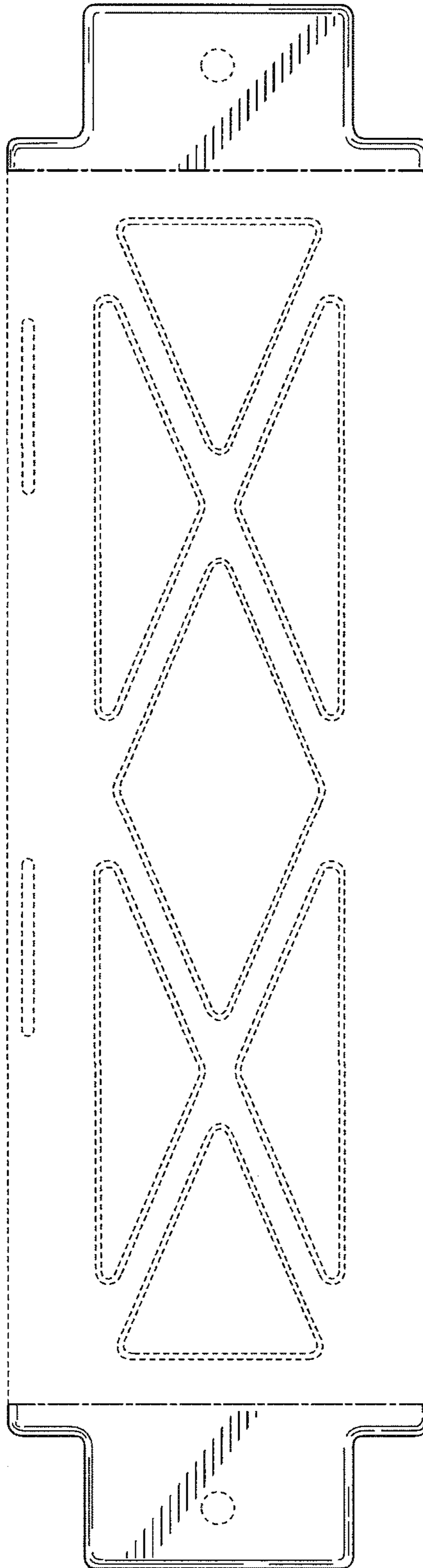


FIG. 3

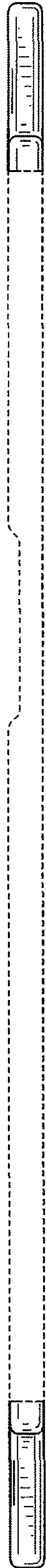


FIG. 4



FIG. 5

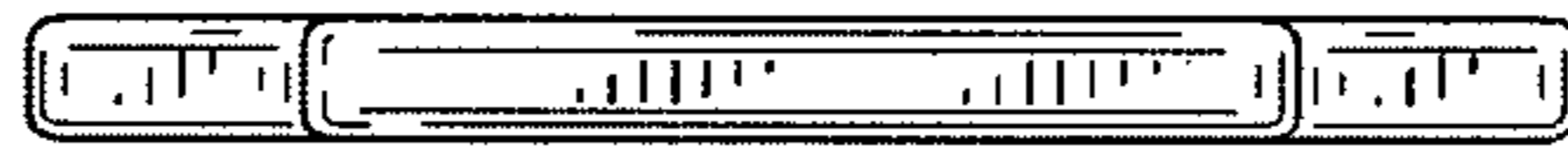


FIG. 6

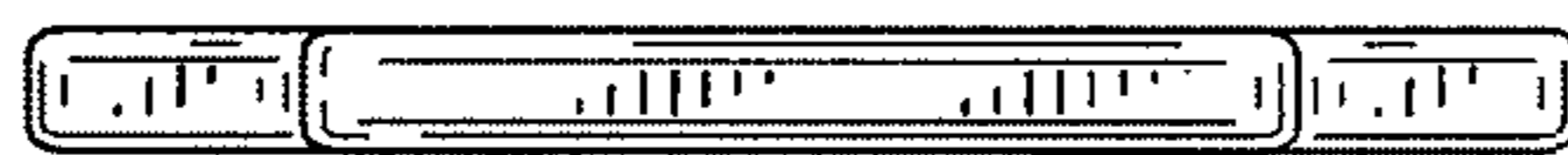


FIG. 7