



US00D750153S

(12) **United States Design Patent**  
**Itou et al.**

(10) **Patent No.:** **US D750,153 S**  
(45) **Date of Patent:** **\*\* Feb. 23, 2016**

(54) **PROJECTOR**

(71) Applicant: **Panasonic Intellectual Property Management Co., Ltd.**, Osaka (JP)

(72) Inventors: **Masakatsu Itou**, Osaka (JP); **Kazuhiko Maeda**, Osaka (JP)

(73) Assignee: **Panasonic Intellectual Property Management Co., Ltd.**, Osaka (JP)

(\*\*) Term: **15 Years**

(21) Appl. No.: **29/527,802**

(22) Filed: **May 21, 2015**

(30) **Foreign Application Priority Data**

Jan. 9, 2015 (JP) ..... 2015-000271

(51) **LOC (10) Cl.** ..... **16-02**

(52) **U.S. Cl.**  
USPC ..... **D16/229**; D16/230

(58) **Field of Classification Search**  
USPC ..... D16/221, 225, 229-231, 234; D21/514;  
D3/200-201  
CPC .... G03B 21/00; G03B 21/001; G03B 21/003;  
G03B 21/12; G03B 21/14; G03B 21/145;  
G03B 21/30  
See application file for complete search history.

(56) **References Cited**

**U.S. PATENT DOCUMENTS**

D367,489 S \* 2/1996 Katayama ..... D16/221  
D382,002 S \* 8/1997 Hix ..... D16/225  
D569,408 S \* 5/2008 Solomon ..... D16/229  
D602,513 S \* 10/2009 Kim ..... D16/229  
7,670,012 B2 \* 3/2010 Solomon ..... G03B 21/30  
348/794  
D627,386 S \* 11/2010 Kawaguchi ..... D16/225  
D680,572 S \* 4/2013 Morohoshi ..... D16/225

D712,450 S \* 9/2014 Hamaue ..... D16/225  
8,911,096 B2 \* 12/2014 Uchiyama ..... G03B 21/14  
353/119  
8,955,990 B2 \* 2/2015 Morohoshi ..... G03B 21/145  
353/119  
9,010,939 B2 \* 4/2015 Fujioka ..... G03B 21/145  
353/119  
2013/0329198 A1 \* 12/2013 Matsuyama ..... G03B 21/14  
353/97

**FOREIGN PATENT DOCUMENTS**

JP D1402292 11/2010  
JP D1445313 7/2012

\* cited by examiner

*Primary Examiner* — Wan Laymon

(74) *Attorney, Agent, or Firm* — Panasonic Patent Center

(57) **CLAIM**

We claim the ornamental design for a projector, as shown and described.

**DESCRIPTION**

FIG. 1 is a front perspective view of a projector of the present invention;  
FIG. 2 is a front view thereof;  
FIG. 3 is a rear view thereof;  
FIG. 4 is a first side view thereof;  
FIG. 5 is a second side view thereof;  
FIG. 6 is a top view thereof;  
FIG. 7 is a bottom view thereof;  
FIG. 8 is a cross sectional view taken along line 8-8 of FIG. 2; and,  
FIG. 9 is a front perspective view thereof shown in an opened position.  
The broken line showing of projector is included for the purpose of illustrating environment and forms no part of the claimed design.

**1 Claim, 9 Drawing Sheets**

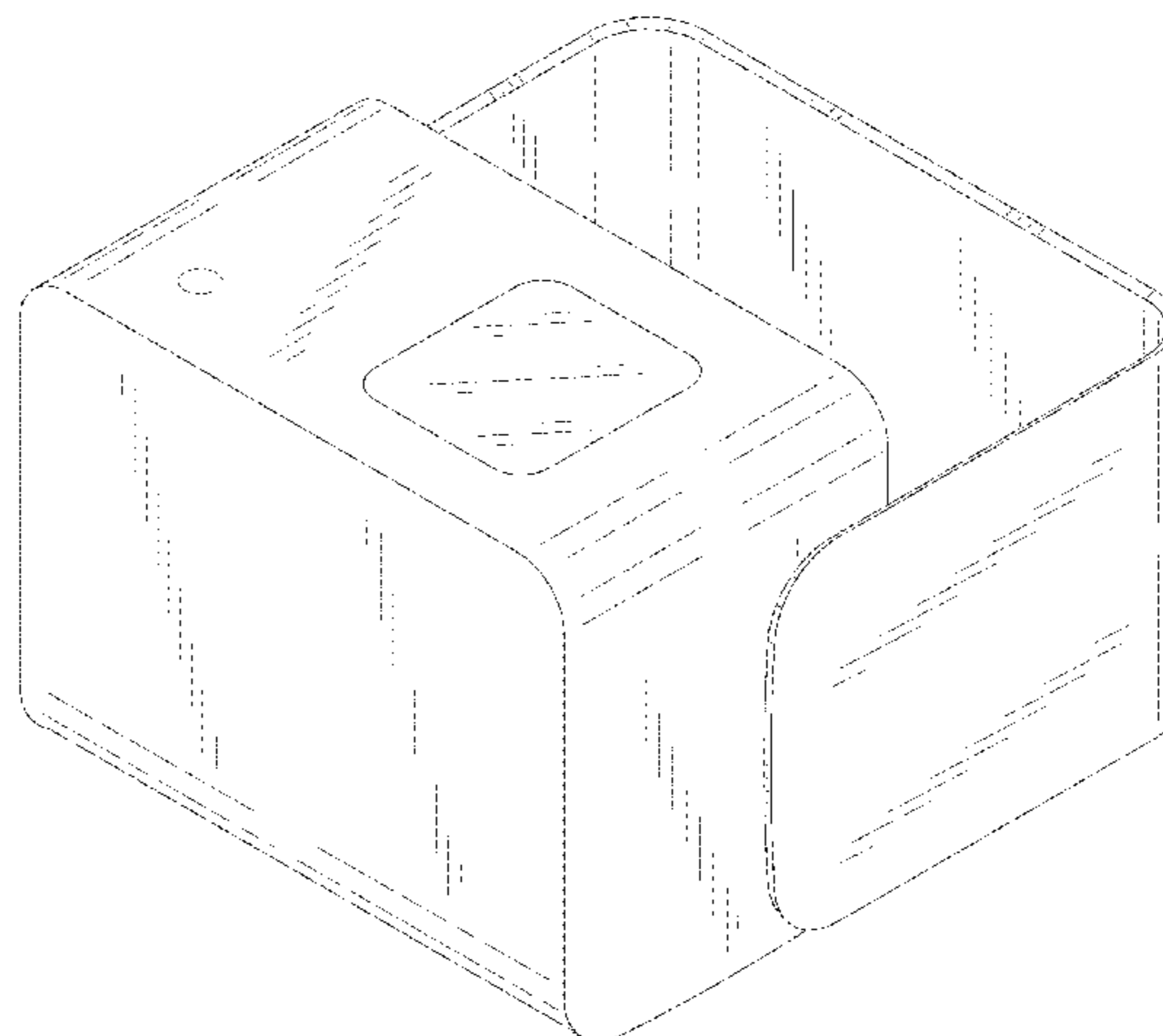
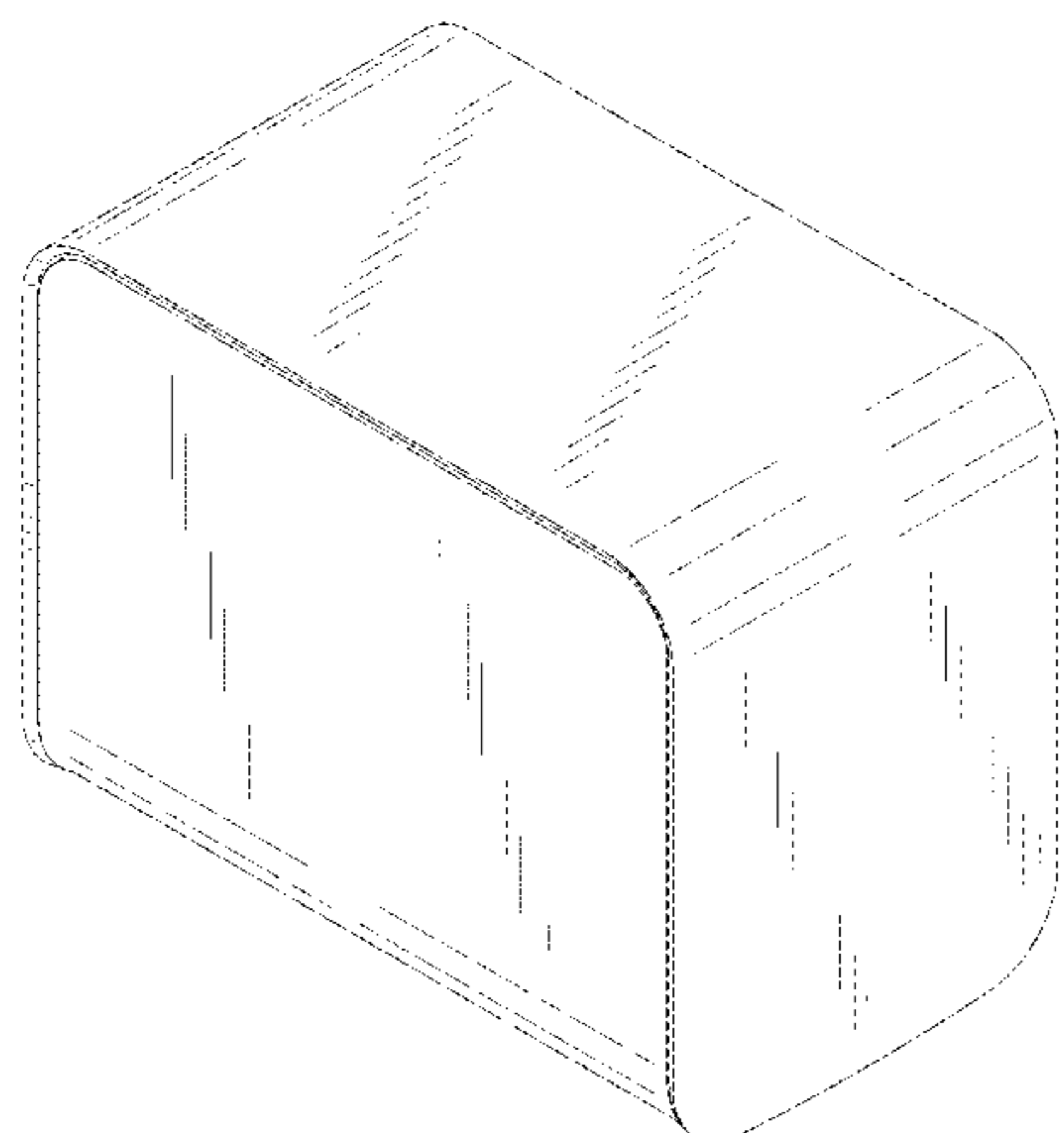


FIG. 1

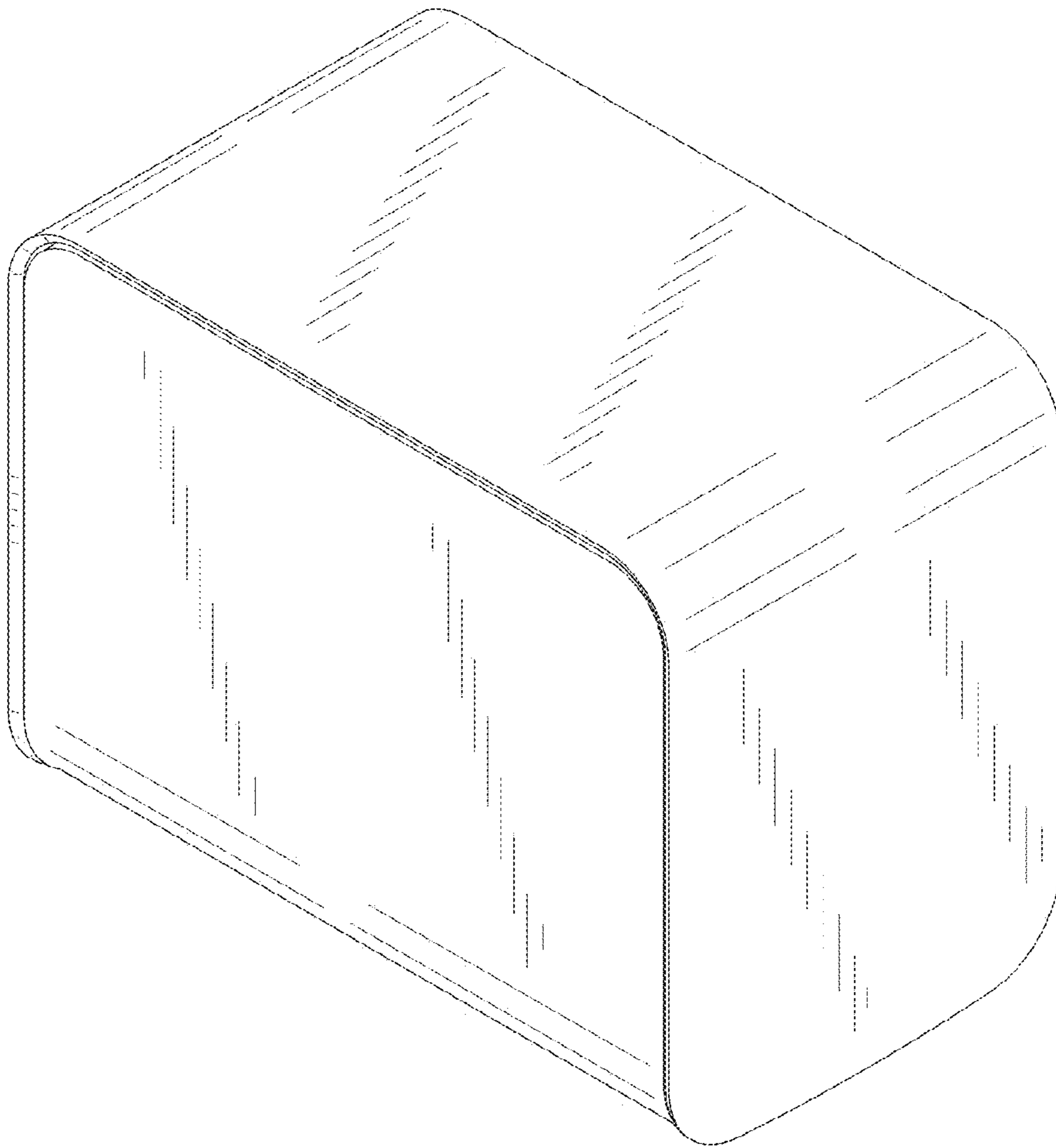


FIG. 2

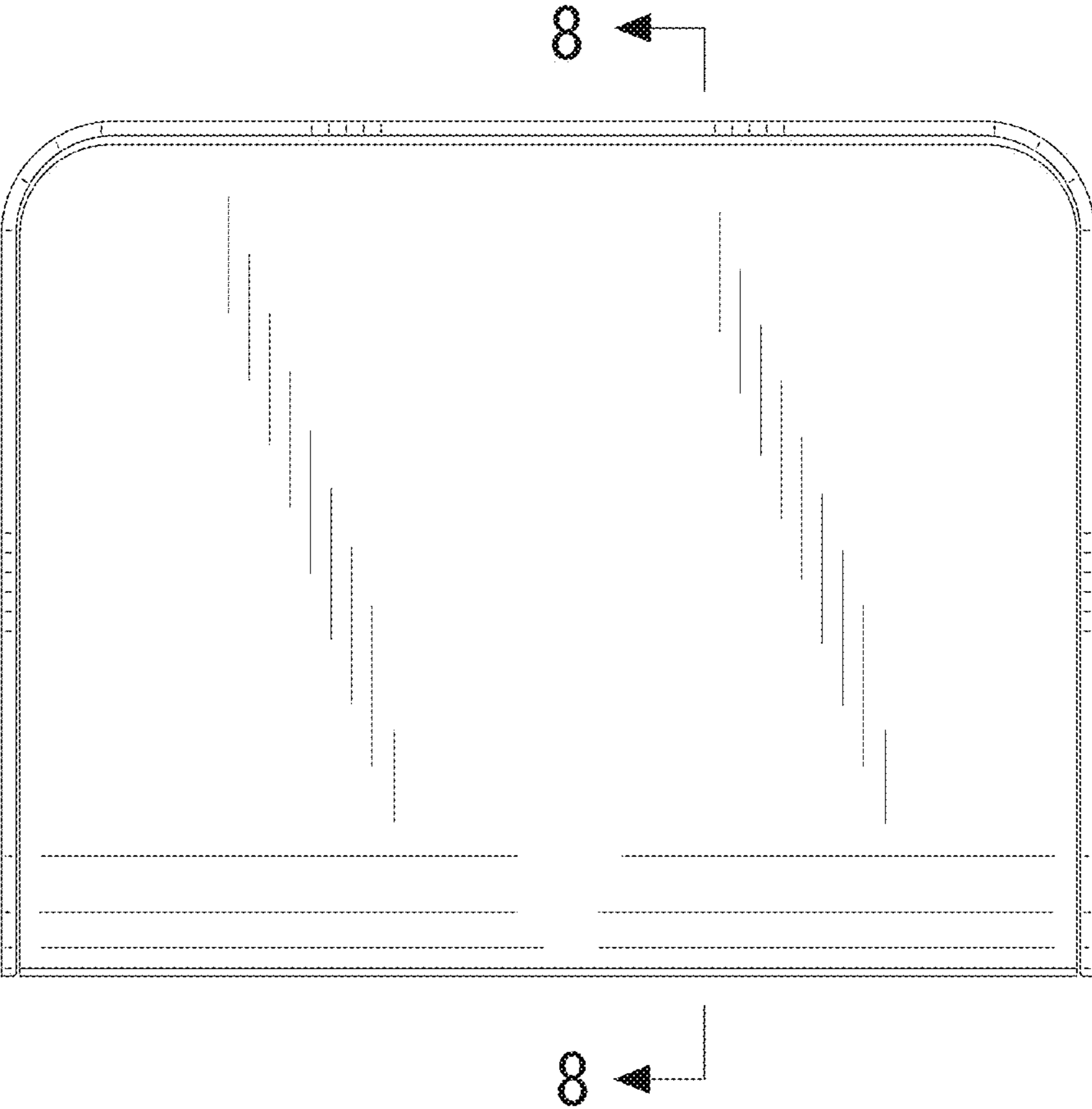


FIG. 3

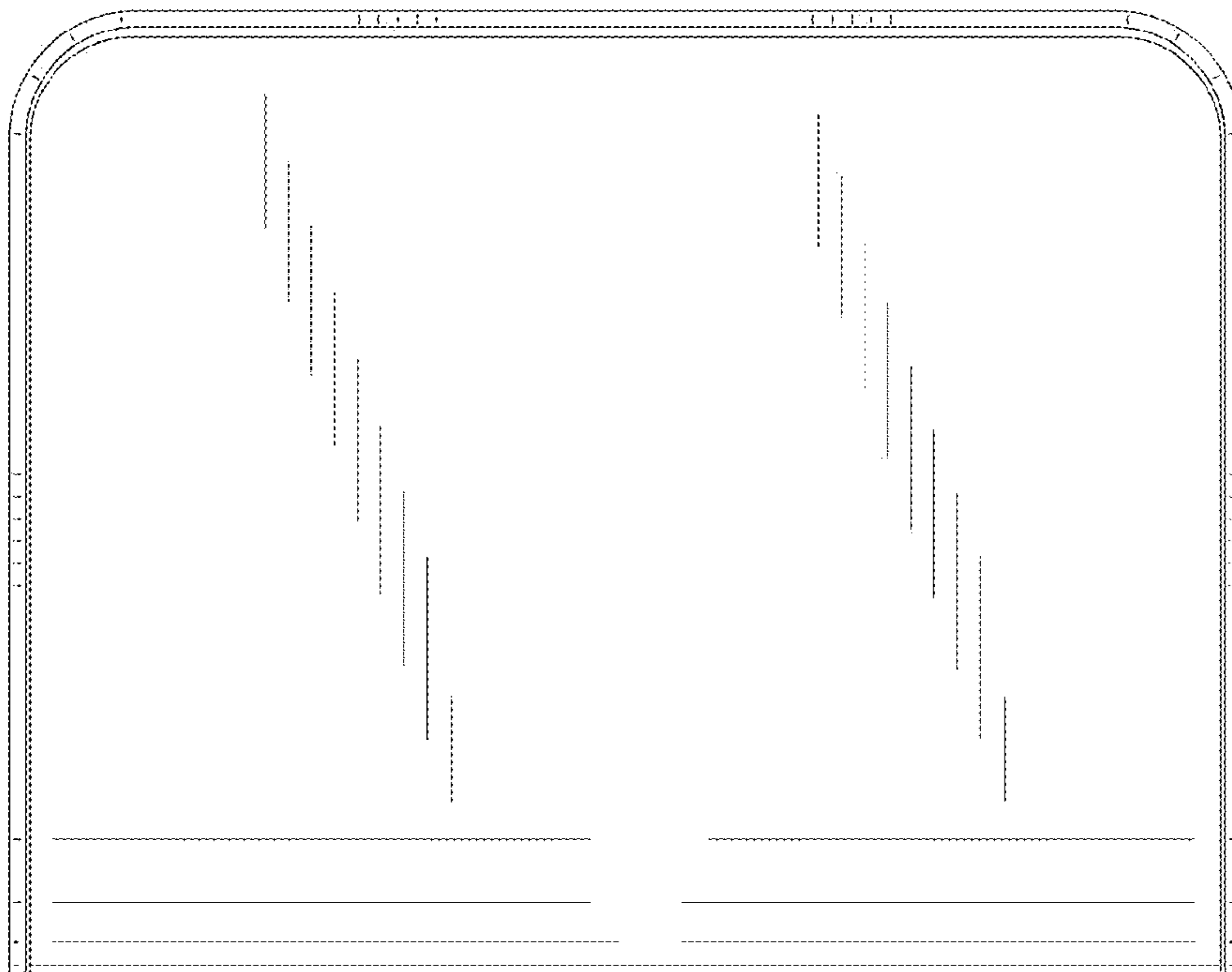


FIG. 4

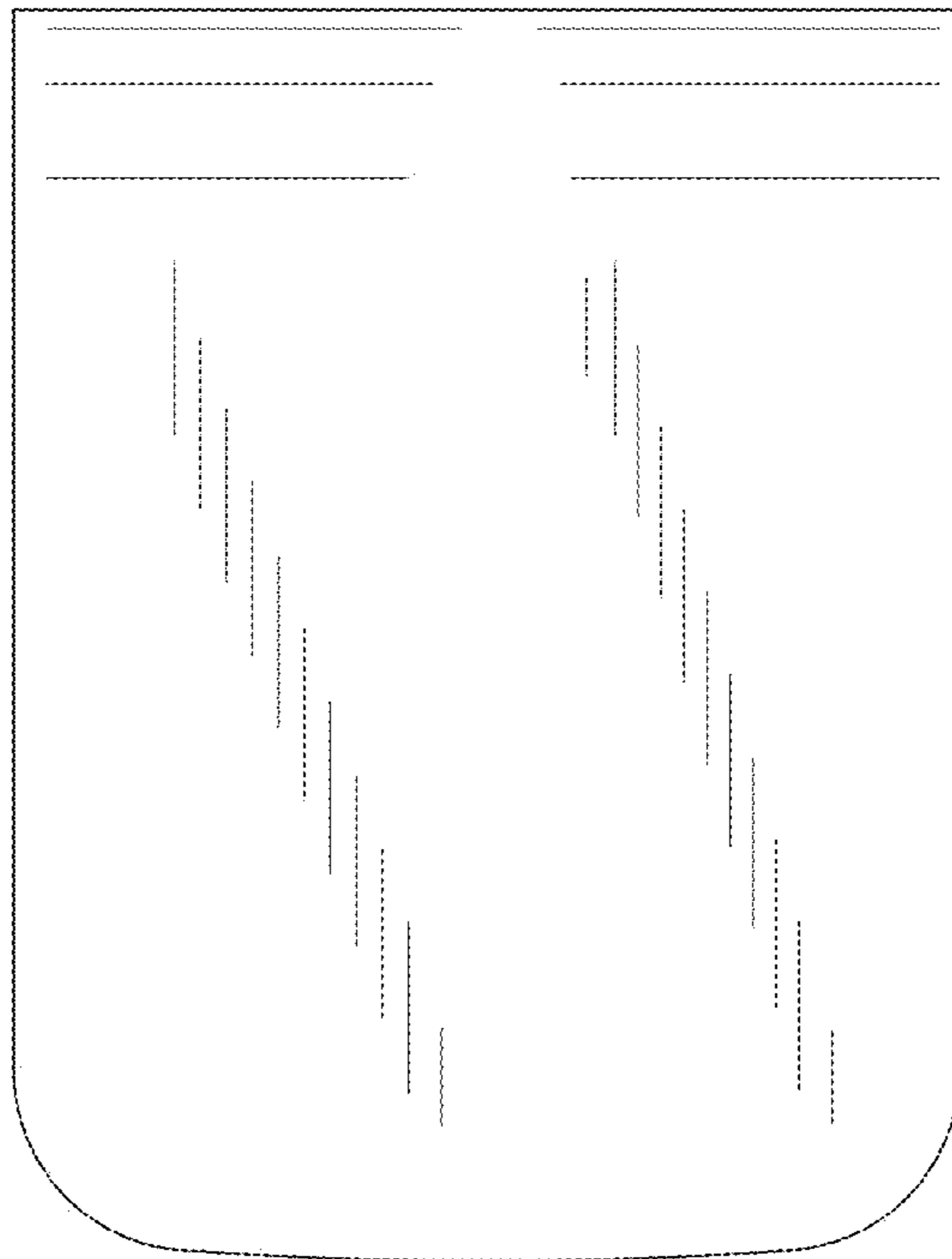


FIG. 5

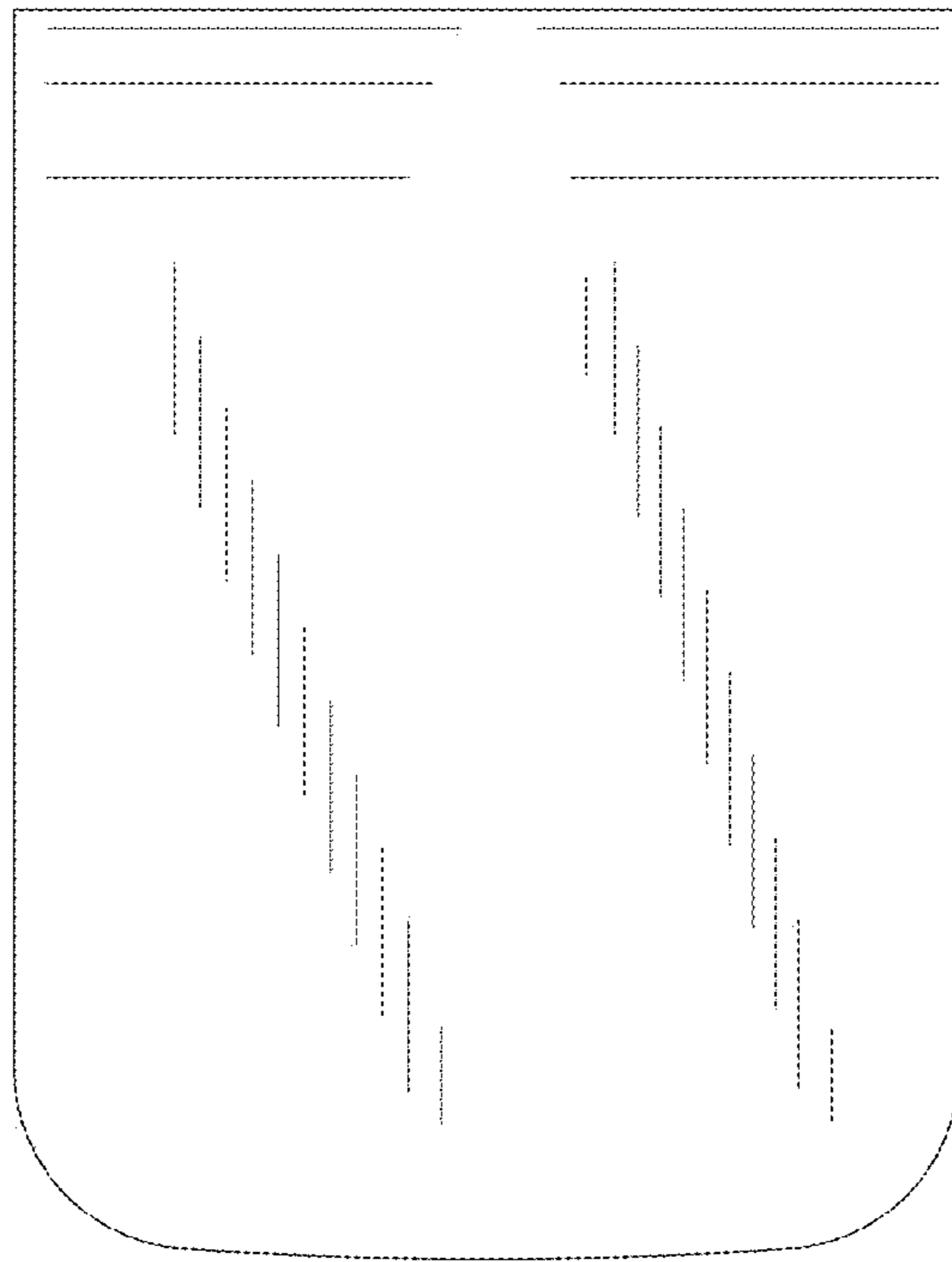


FIG. 6

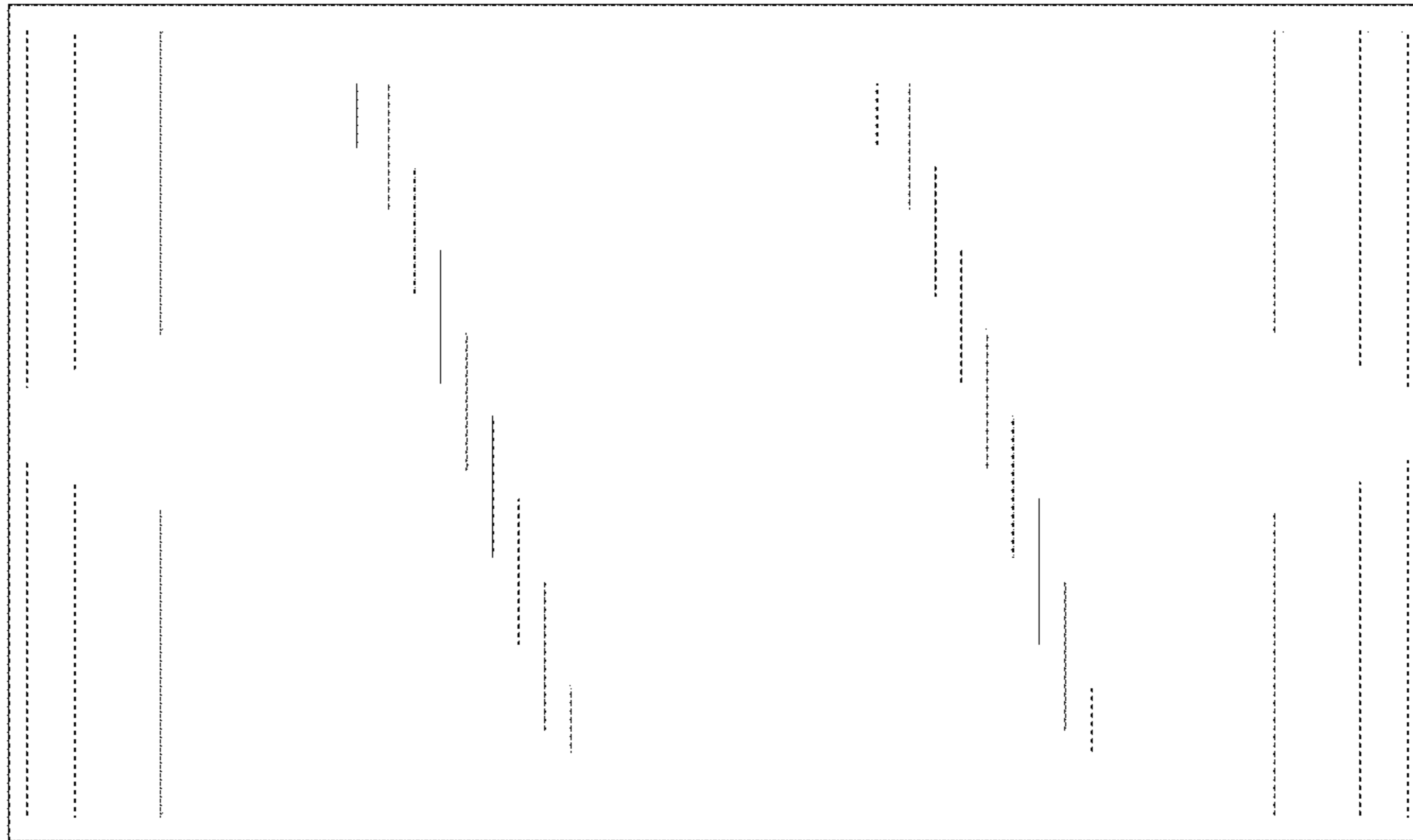


FIG. 7

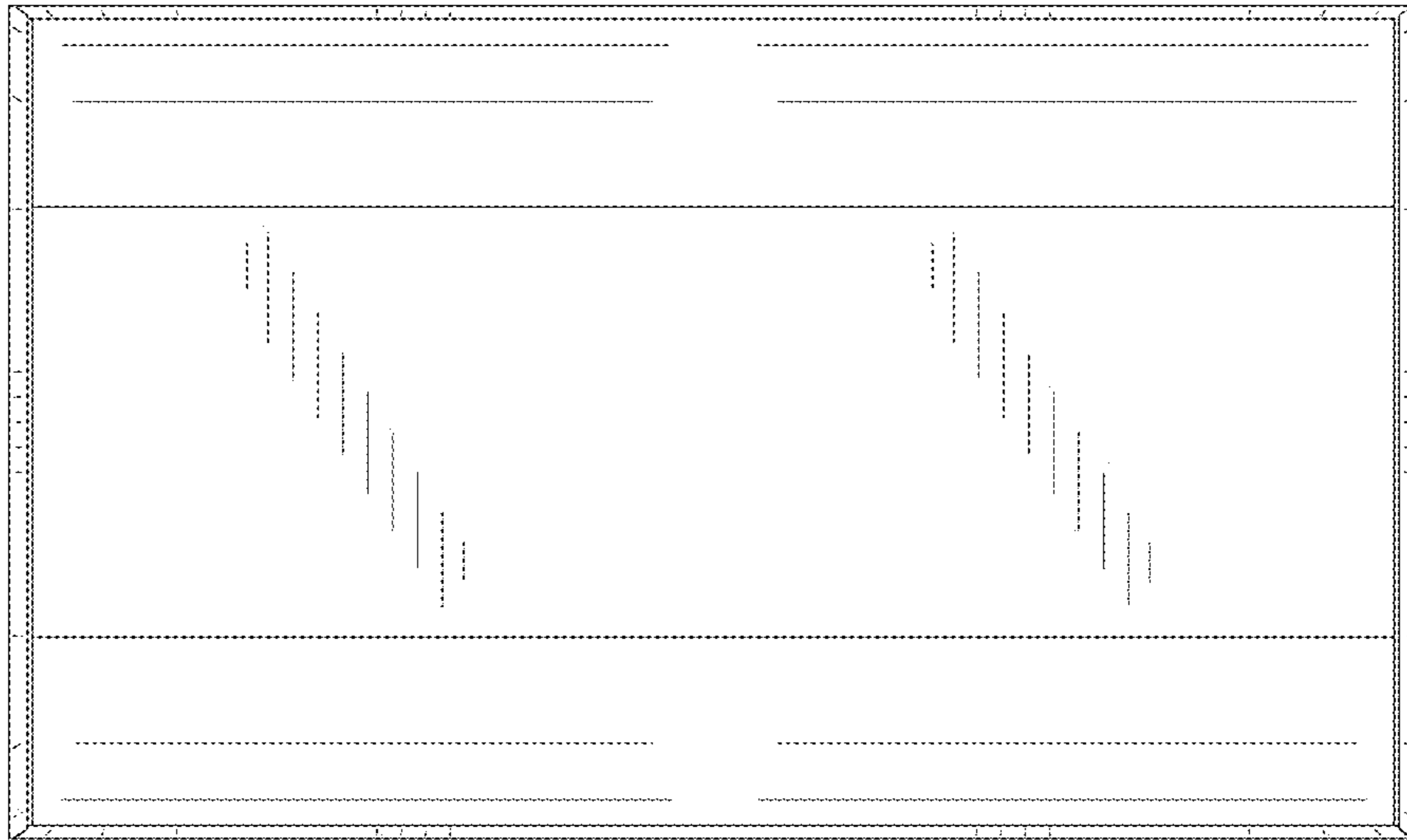




FIG. 8

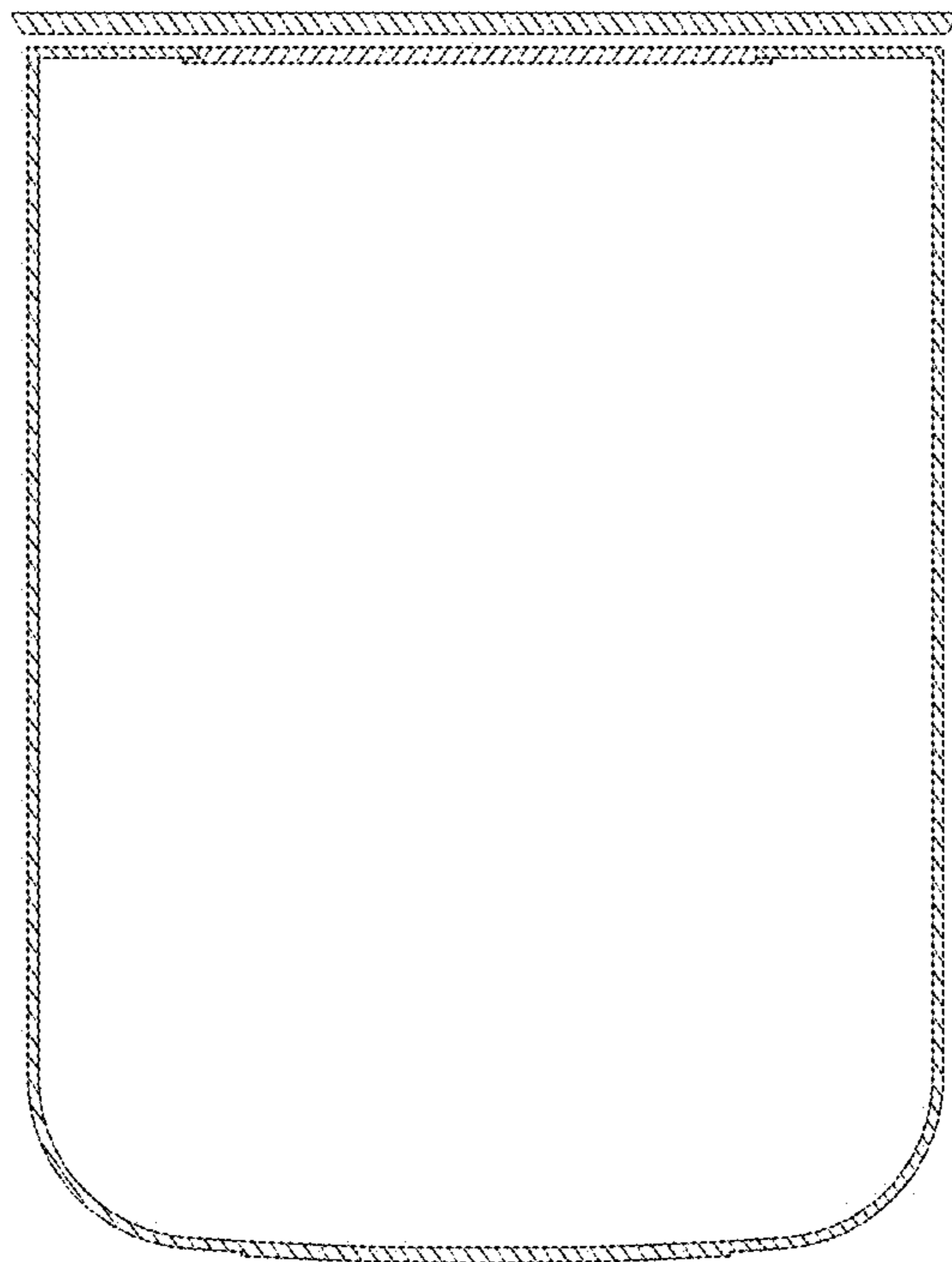


FIG. 9

