



US00D750152S

(12) **United States Design Patent**
Awazu et al.

(10) **Patent No.:** **US D750,152 S**
(45) **Date of Patent:** **** Feb. 23, 2016**

(54) **LENS FOR CAMERA**

- (71) Applicant: **FUJIFILM Corporation**, Minato-ku, Tokyo (JP)
- (72) Inventors: **Kouhei Awazu**, Saitama (JP); **Nobuyuki Kondou**, Saitama (JP)
- (73) Assignee: **FUJIFILM Corporation**, Tokyo (JP)
- (**) Term: **14 Years**
- (21) Appl. No.: **29/523,372**
- (22) Filed: **Apr. 9, 2015**

Related U.S. Application Data

- (63) Continuation of application No. 29/441,201, filed on Jan. 2, 2013, now Pat. No. Des. 729,862.

(30) **Foreign Application Priority Data**

Jul. 3, 2012 (JP) 2012-015693

(51) **LOC (10) Cl.** **16-05**

(52) **U.S. Cl.**
USPC **D16/219**

(58) **Field of Classification Search**
 USPC D16/134, 136, 200, 202–205, 218, 219,
 D16/242; 348/373–376; 359/826–828;
 396/505, 529–532, 535, 539–541
 CPC G03B 17/02; G03B 19/04; G03B 17/56;
 G03B 17/04; G03B 15/03; G03B 17/14;
 H04N 5/2251; H04N 5/2252; H04N 5/2253;
 H04N 5/2254; G02B 7/02; G02B 7/04;
 G02B 7/14

See application file for complete search history.

(56) **References Cited**

U.S. PATENT DOCUMENTS

D235,578 S 6/1975 Miyake et al.
 D248,766 S 8/1978 Arai
 5,262,899 A 11/1993 Iizuka

(Continued)

FOREIGN PATENT DOCUMENTS

JP 09211645 A 8/1997
 JP 2009258399 A 11/2009

(Continued)

OTHER PUBLICATIONS

Notification of Reasons for Refusal, dated Jan. 9, 2013, issued in corresponding JP Application No. 2012-015693, 4 pages in English and Japanese.

(Continued)

Primary Examiner — Adir Aronovich
Assistant Examiner — Ramzi Almatrahi
 (74) *Attorney, Agent, or Firm* — Sughrue Mion, PLLC

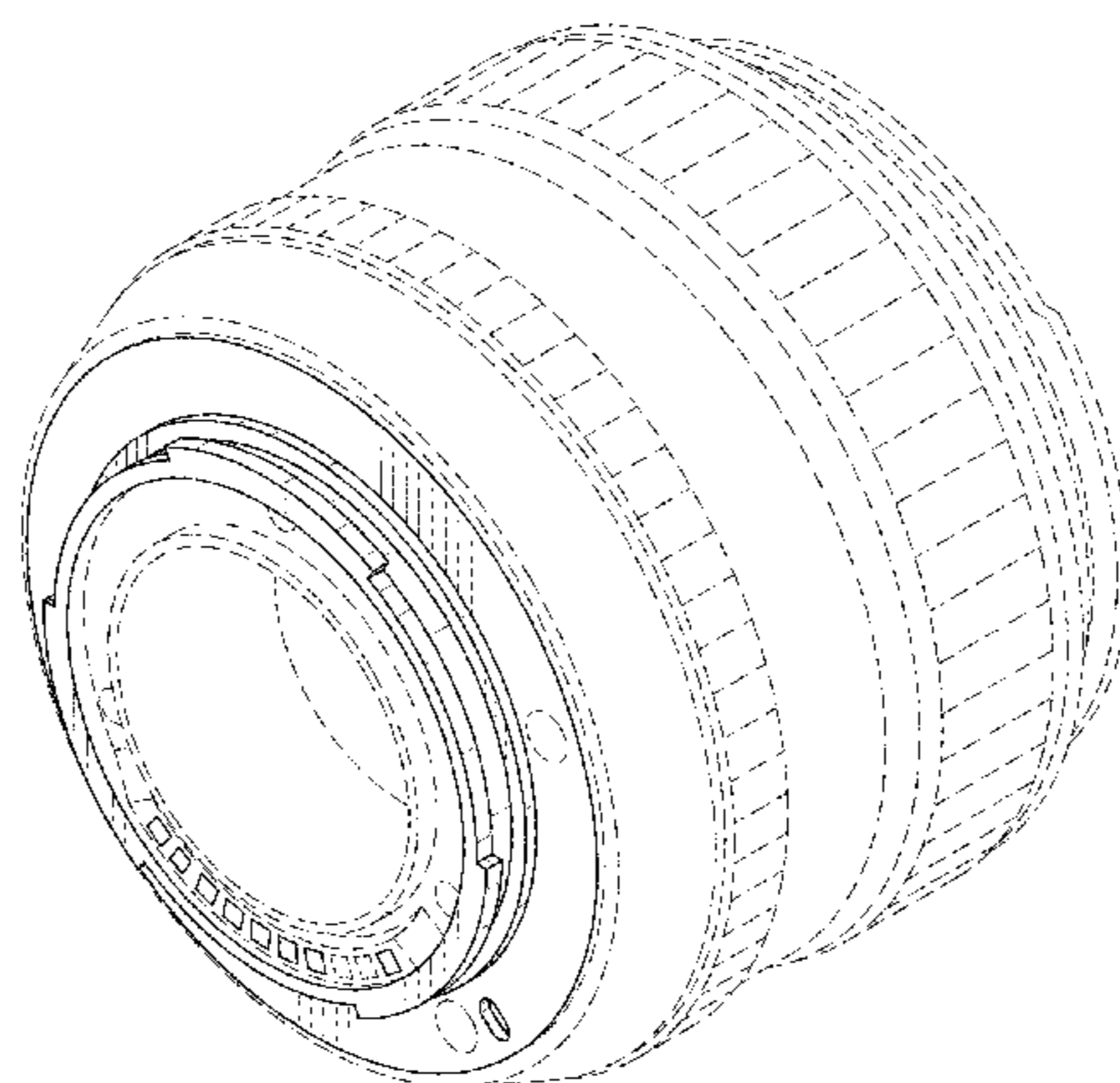
(57) **CLAIM**

The ornamental design for a lens for camera, as shown and described.

DESCRIPTION

FIG. 1 is a top, rear, and left side perspective view of a lens for camera showing our new design;
 FIG. 2 is a front elevational view thereof;
 FIG. 3 is a rear elevational view thereof;
 FIG. 4 is a top plan view thereof;
 FIG. 5 is a bottom plan view thereof;
 FIG. 6 is a left side elevational view thereof;
 FIG. 7 is a right side elevational view thereof; and,
 FIG. 8 is a top, front and left side perspective view thereof, showing the lens for camera in an environment wherein the lens for camera is combined with a camera.
 The broken lines in the drawings are included for the purpose of illustrating environmental subject matter and form no part of the claimed design.

1 Claim, 8 Drawing Sheets



(56)

References Cited

U.S. PATENT DOCUMENTS

D537,096	S	2/2007	Tokiwa et al.	
D537,461	S	2/2007	Tokiwa et al.	
D550,745	S	9/2007	Watanabe	
D559,884	S	1/2008	Tokiwa	
7,853,137	B2	12/2010	Yang	
8,002,483	B2	8/2011	Fujiwara et al.	
D670,751	S	11/2012	Koyama et al.	
D688,292	S	8/2013	Koyama et al.	
D692,475	S	10/2013	Hasuda	
D696,709	S	12/2013	Sato	
D698,842	S *	2/2014	Hasuda	D16/219
D698,843	S *	2/2014	Hasuda	D16/219
D698,844	S *	2/2014	Hasuda	D16/219
D699,773	S *	2/2014	Hasuda	D16/134
D705,335	S *	5/2014	Oikawa	D16/134
D706,853	S *	6/2014	Hasuda	D16/219
D721,117	S *	1/2015	Hasuda	D16/219
D726,240	S *	4/2015	Oikawa	D16/134
D727,994	S *	4/2015	Hasuda	D16/219
D731,577	S *	6/2015	Hasuda	D16/219
D732,101	S *	6/2015	Hasuda	D16/134
D732,102	S *	6/2015	Hasuda	D16/219
2013/0265664	A1 *	10/2013	Iinuma	G02B 7/14 359/828

FOREIGN PATENT DOCUMENTS

JP	2011028243	A	2/2011
JP	1444512	S	6/2012
JP	1456035	S	11/2012
JP	1456462	S	11/2012

OTHER PUBLICATIONS

Japanese catalog published by Canon Inc., dated Feb. 2007, "Canon EF-S Lenses," received by the National Center for Industrial Property Information and Training on Aug. 24, 2007 (Japan Catalog File of 2007 No. 207), 8 pages.

English translation of Bibliographic Data for JP Design Registration No. D1456462, 1 page.

English translation of Bibliographic Data for Japanese Design Registration No. D1456035, 1 page.

English translation of Bibliographic Data for Japanese Design Registration No. D1444512, 1 page.

Decision of Refusal, dated Jul. 24, 2013, issued in corresponding JP Application No. 2012-015693, 4 pages in English and Japanese.

* cited by examiner

FIG. 1

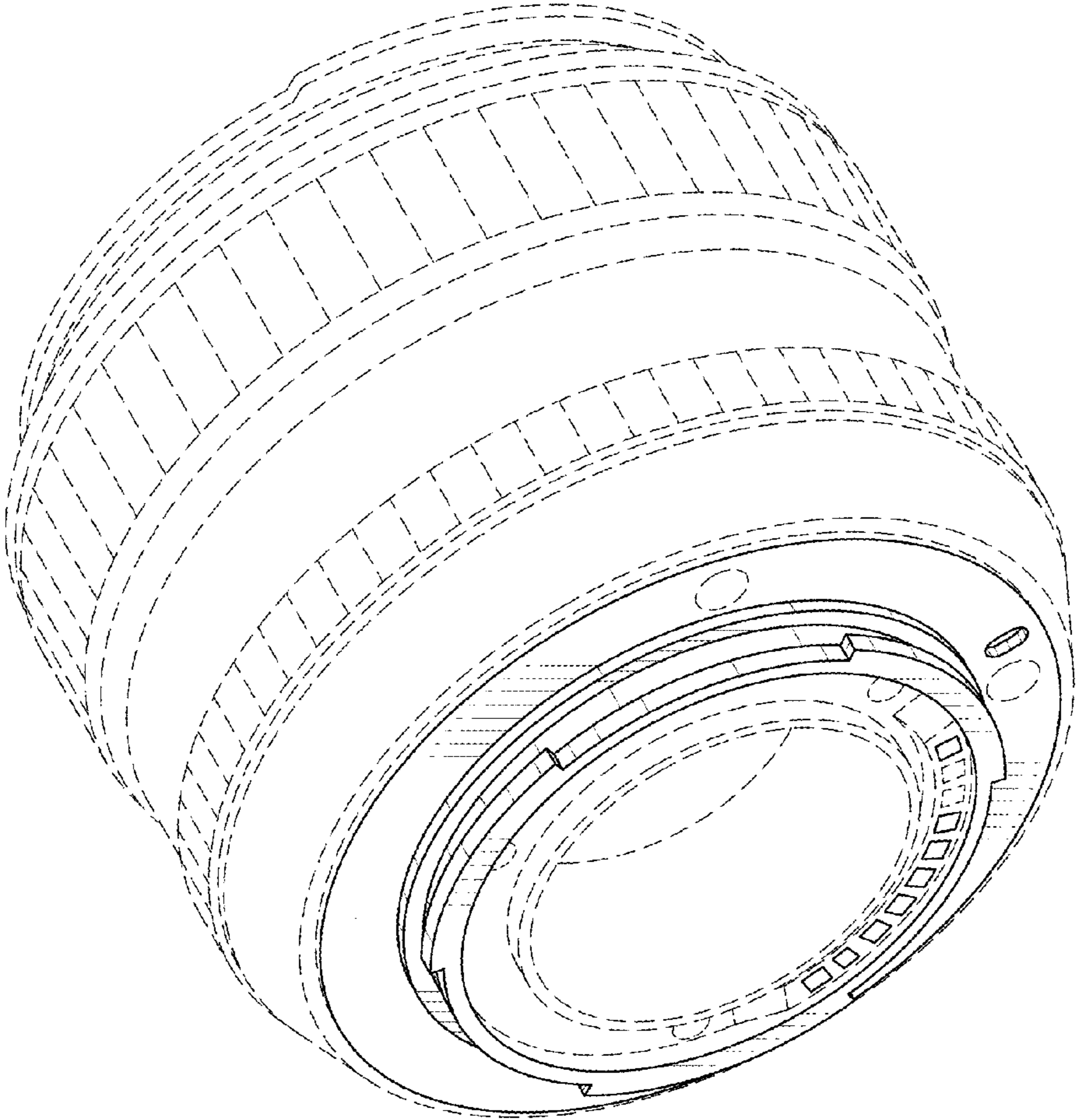


FIG. 2

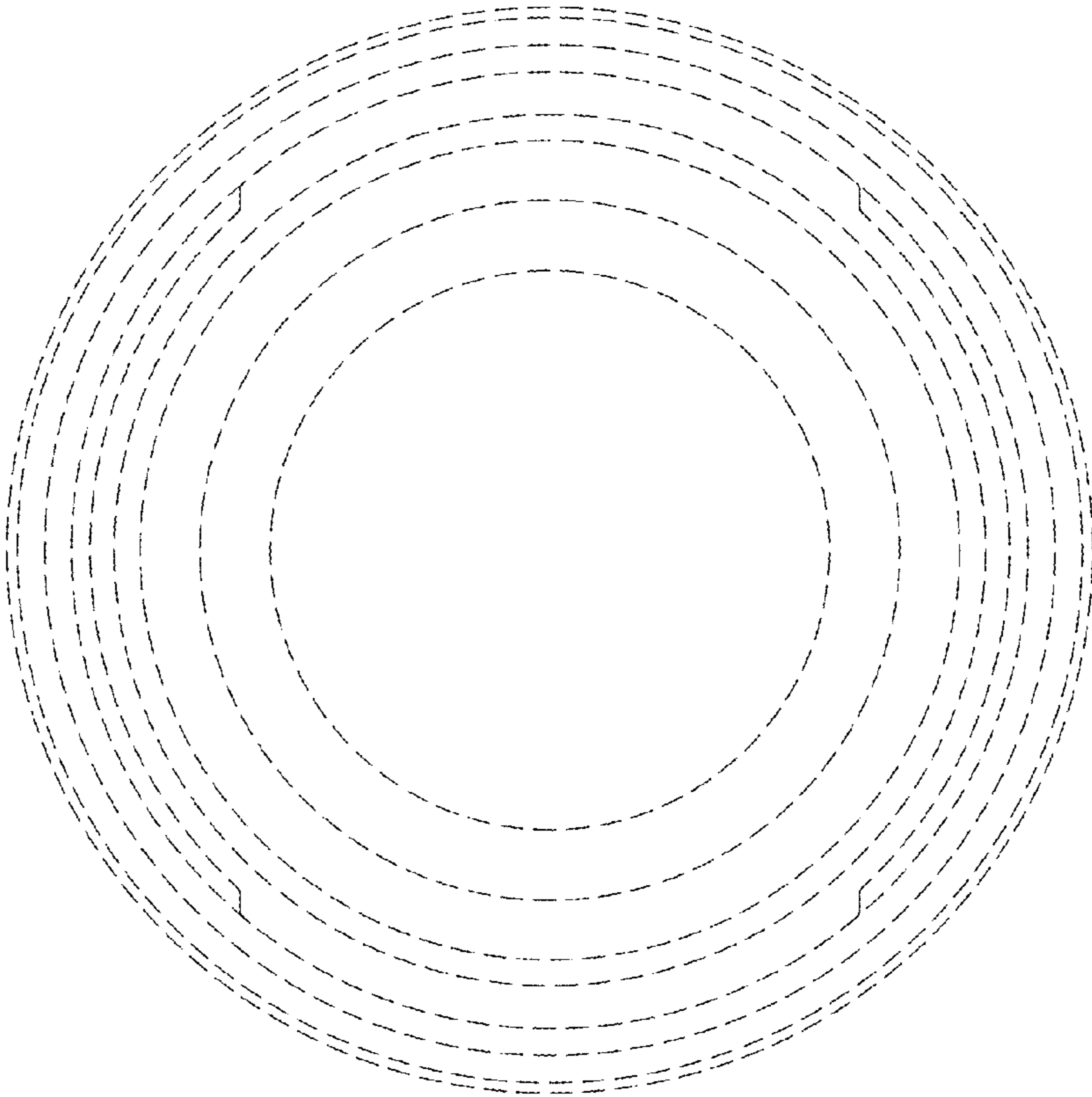


FIG. 3

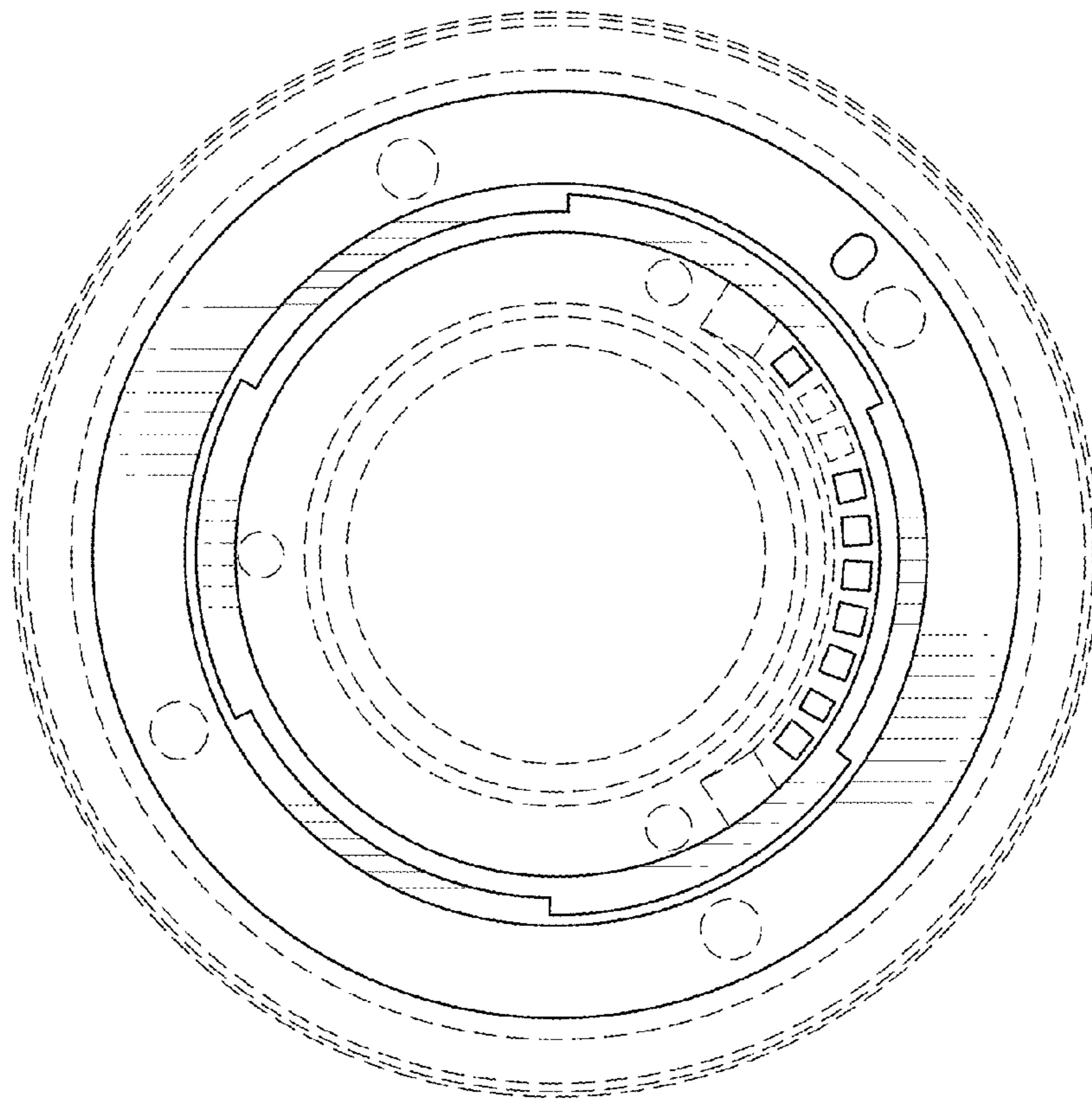


FIG. 4

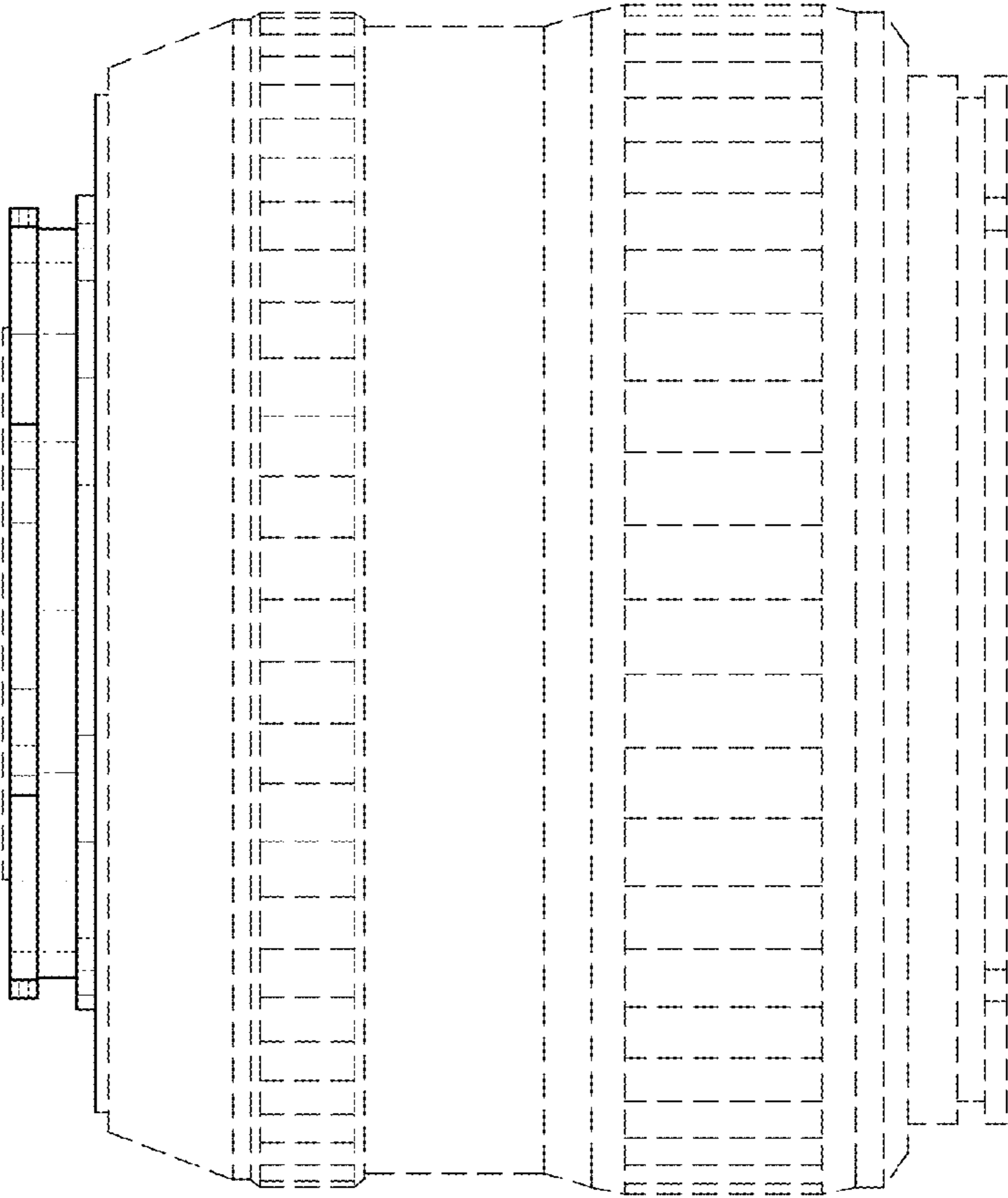


FIG. 5

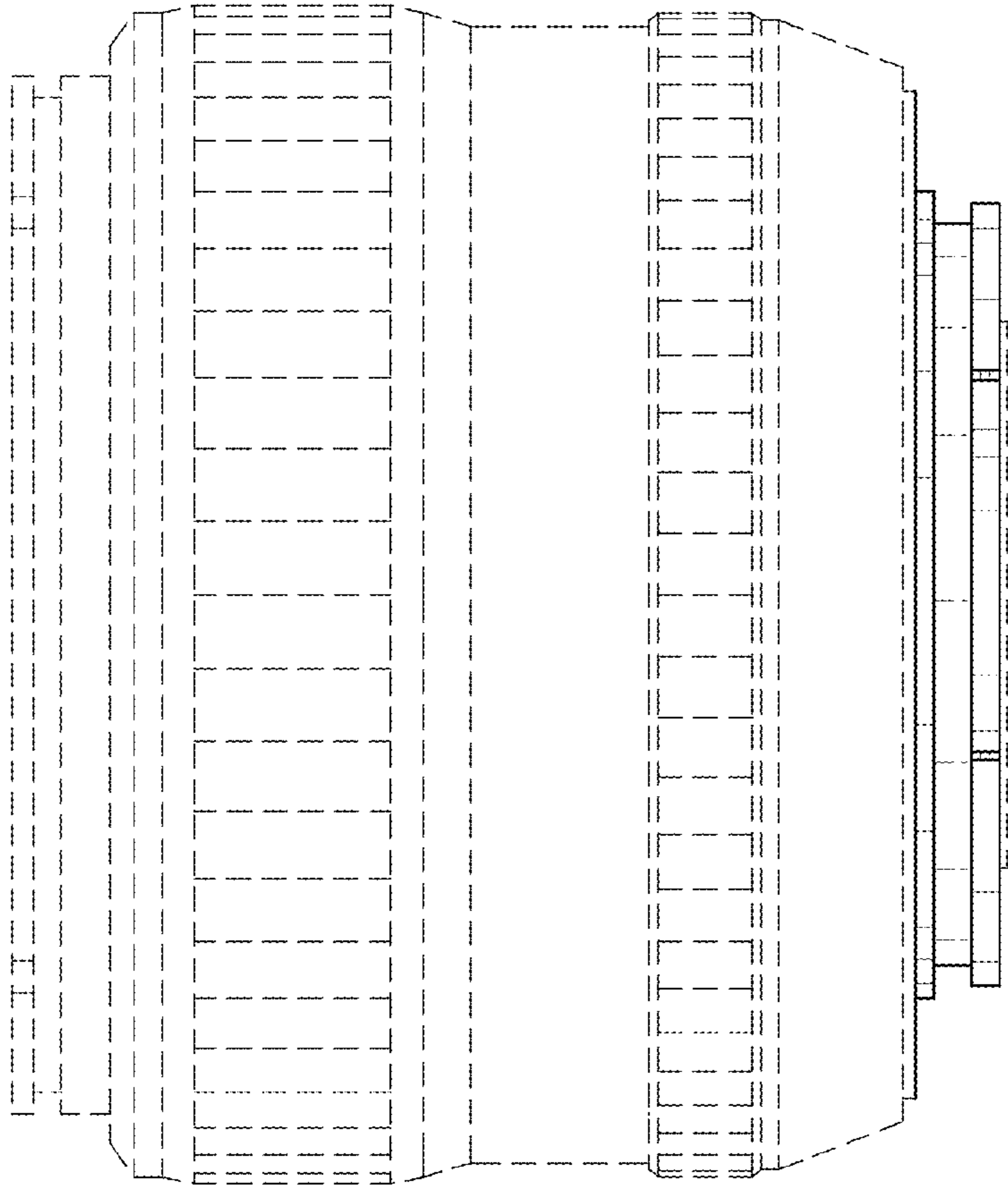


FIG. 6

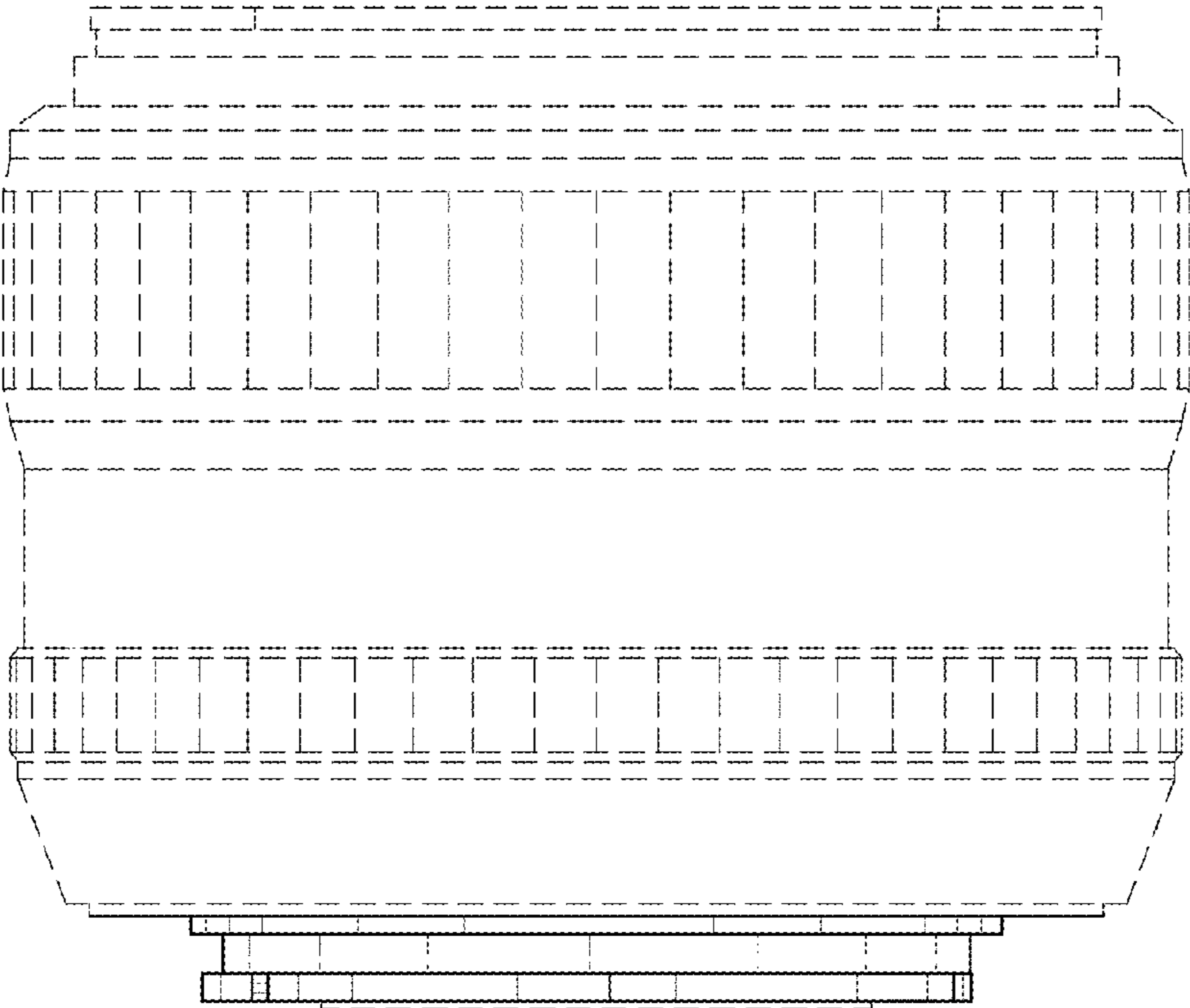


FIG. 7

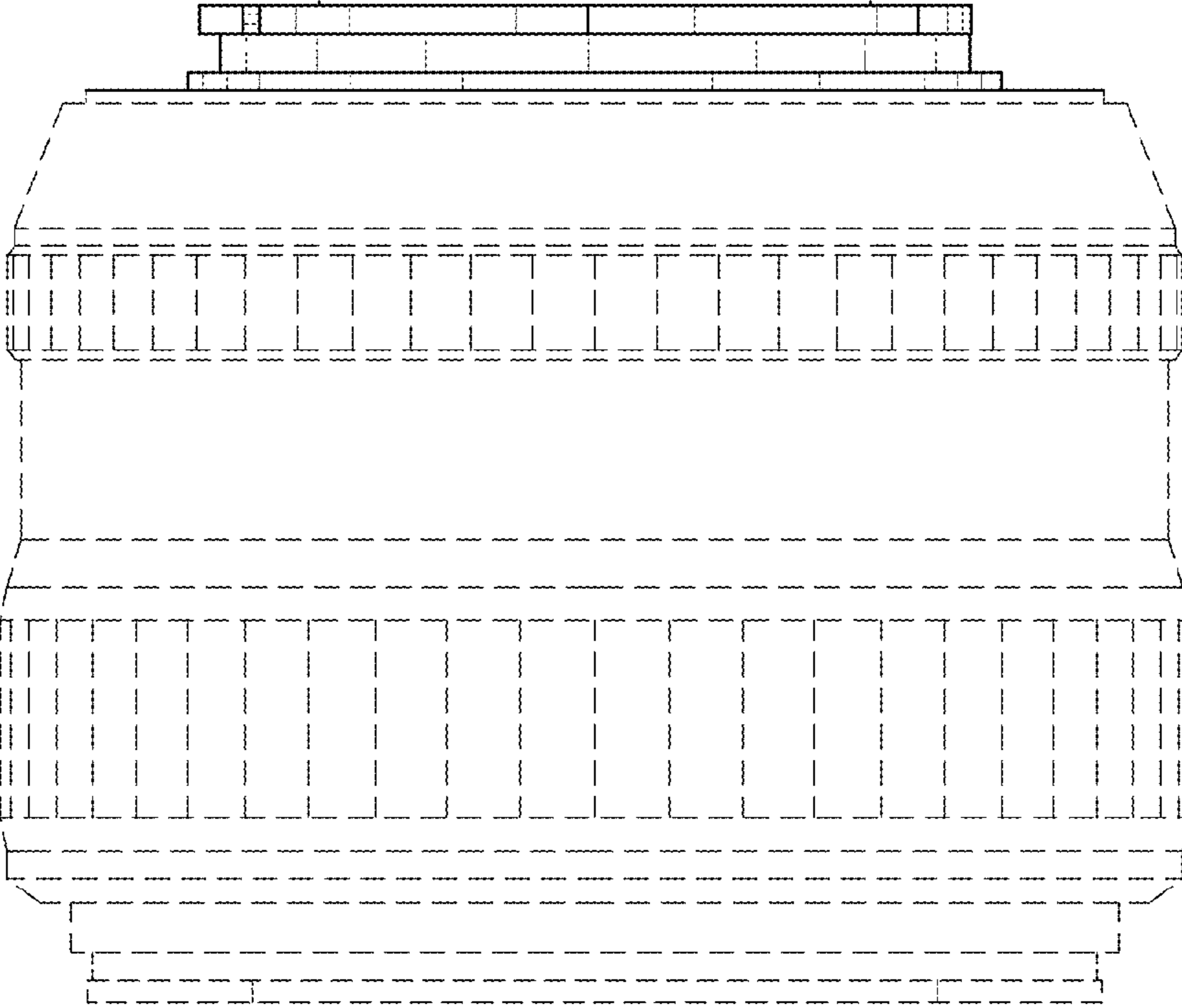


FIG. 8

