



US00D750150S

(12) **United States Design Patent**  
**Cho**

(10) **Patent No.:** **US D750,150 S**

(45) **Date of Patent:** **\*\* Feb. 23, 2016**

(54) **CAMERA**

(71) Applicant: **Samsung Electronics Co., Ltd.**,  
Suwon-si (KR)

(72) Inventor: **Chang-Sin Cho**, Seoul (KR)

(73) Assignee: **Samsung Electronics Co., Ltd.**,  
Suwon-si (KR)

(\*\*) Term: **14 Years**

(21) Appl. No.: **29/495,426**

(22) Filed: **Jul. 1, 2014**

(30) **Foreign Application Priority Data**

Jan. 9, 2014 (KR) ..... 30-2014-0001388

(51) **LOC (10) Cl.** ..... **16-05**

(52) **U.S. Cl.**  
USPC ..... **D16/219**

(58) **Field of Classification Search**  
USPC ..... D16/134, 136, 200, 202-205, 208,  
D16/217-219; 348/360, 373-376;  
359/826-828; 396/25, 505, 529-532,  
396/535, 539-541

CPC ..... G03B 17/02; G03B 19/04; G03B 17/56;  
G03B 17/04; G03B 15/03; G03B 17/14;  
H04N 5/2251; H04N 5/2252; H04N 5/2253;  
H04N 5/2254; G02B 7/02; G02B 7/04;  
G02B 7/14

See application file for complete search history.

(56) **References Cited**

**U.S. PATENT DOCUMENTS**

D411,218 S \* 6/1999 Kumakura ..... D16/217  
D439,922 S \* 4/2001 Kumakura ..... D16/217  
D470,879 S \* 2/2003 Morishita ..... D16/217  
7,182,529 B2 \* 2/2007 Kurosawa ..... G03B 19/12  
348/374  
D555,693 S \* 11/2007 Tokiwa ..... D16/134  
7,567,290 B2 \* 7/2009 Tokiwa ..... G03B 17/14  
348/335

7,620,315 B2 \* 11/2009 Watanabe ..... H04N 5/2254  
396/268  
D609,730 S \* 2/2010 Nakamura ..... D16/202  
D611,976 S \* 3/2010 Kim ..... D16/202  
D669,930 S \* 10/2012 Koyama ..... D16/134  
D682,910 S \* 5/2013 Hasuda ..... D16/219  
D723,084 S \* 2/2015 Awazu ..... D16/219  
D738,417 S \* 9/2015 Lee ..... D16/202

(Continued)

**FOREIGN PATENT DOCUMENTS**

JP 1413576-000 5/2011

**OTHER PUBLICATIONS**

Lumix DMC-GF2 Body-Silver. CameraJungle.co.uk[online]. Prior Art [retrieved on Sep. 28, 2015]. Retrieved from the Internet: <http://www.camerajungle.co.uk/item/201129/panasonic-lumix-dmc-gf2-body-silver-compact-system.html>.\*

(Continued)

*Primary Examiner* — Adir Aronovich  
*Assistant Examiner* — Ramzi Almatrahi  
(74) *Attorney, Agent, or Firm* — NSIP Law

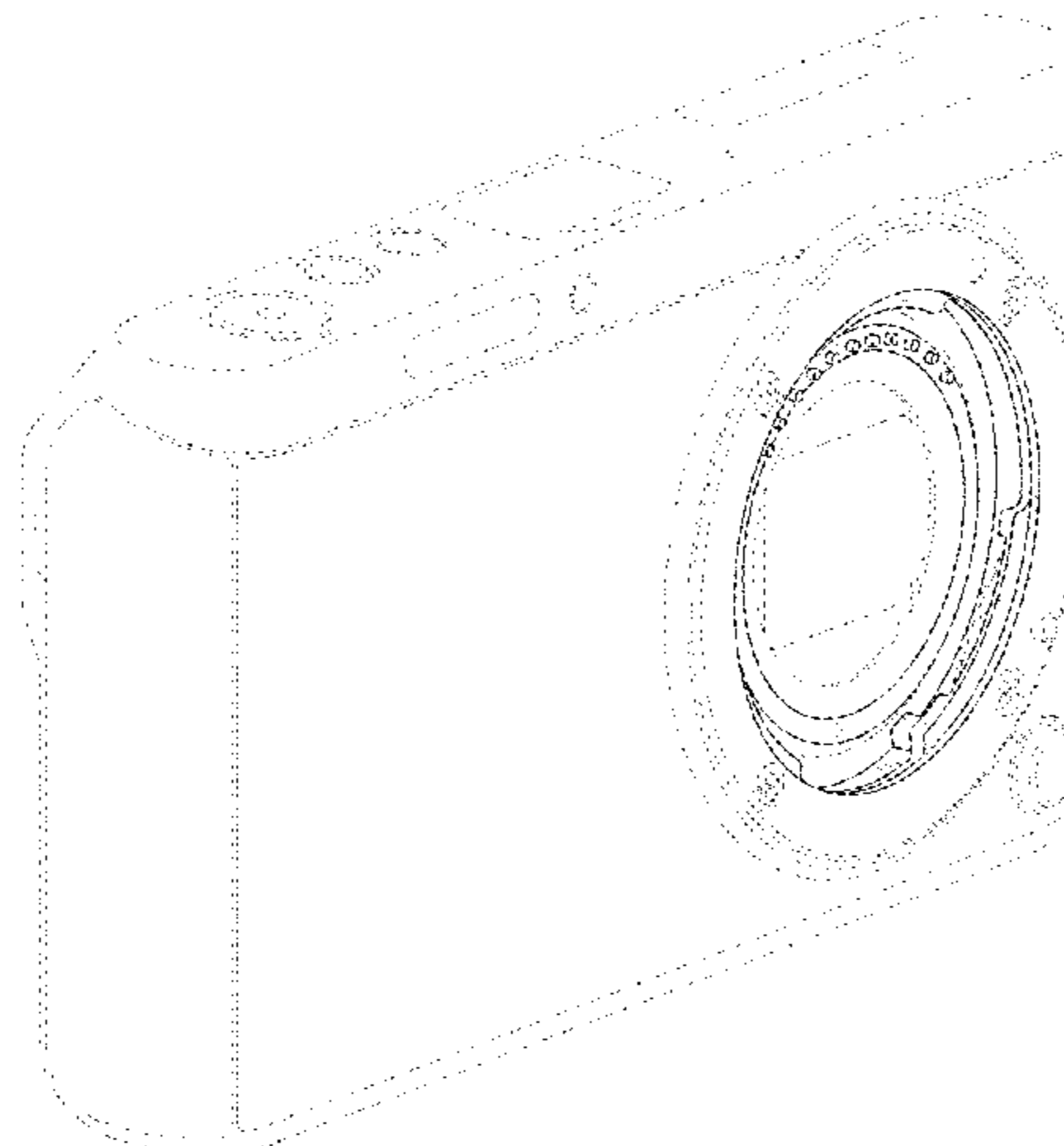
(57) **CLAIM**

I claim the ornamental design for a camera, as shown and described.

**DESCRIPTION**

FIG. 1 is a front perspective view of a camera showing my new design;  
FIG. 2 is a front view thereof;  
FIG. 3 is a rear view thereof;  
FIG. 4 is a left-side view thereof;  
FIG. 5 is a right-side view thereof;  
FIG. 6 is a top view thereof; and,  
FIG. 7 is a bottom view thereof.  
The broken lines in the figures show portions of the camera which are for environmental purpose only and form no part of the claimed design.

**1 Claim, 4 Drawing Sheets**



(56)

**References Cited**

U.S. PATENT DOCUMENTS

2010/0111517 A1\* 5/2010 Yasuda ..... G03B 17/00  
396/532  
2013/0266304 A1\* 10/2013 Nishio ..... G03B 17/565  
396/532  
2014/0111686 A1\* 4/2014 Iikawa ..... G03B 17/14  
348/374

OTHER PUBLICATIONS

Korean Office Action issued Sep. 18, 2014 in corresponding Korean  
Design Patent Application No. 30-2014-0001388 (5 pages, in  
Korean).

\* cited by examiner

FIG. 1

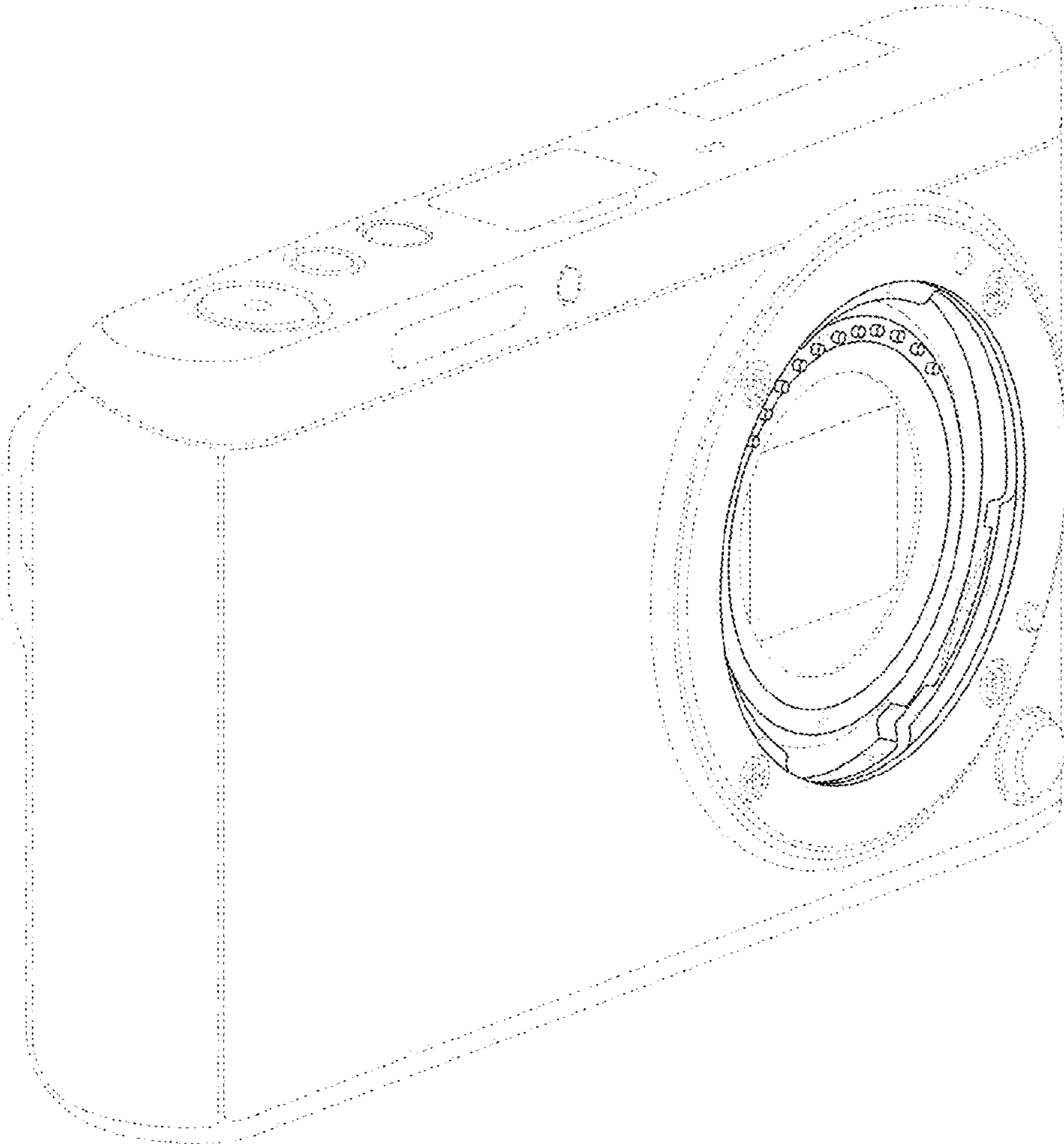


FIG. 2

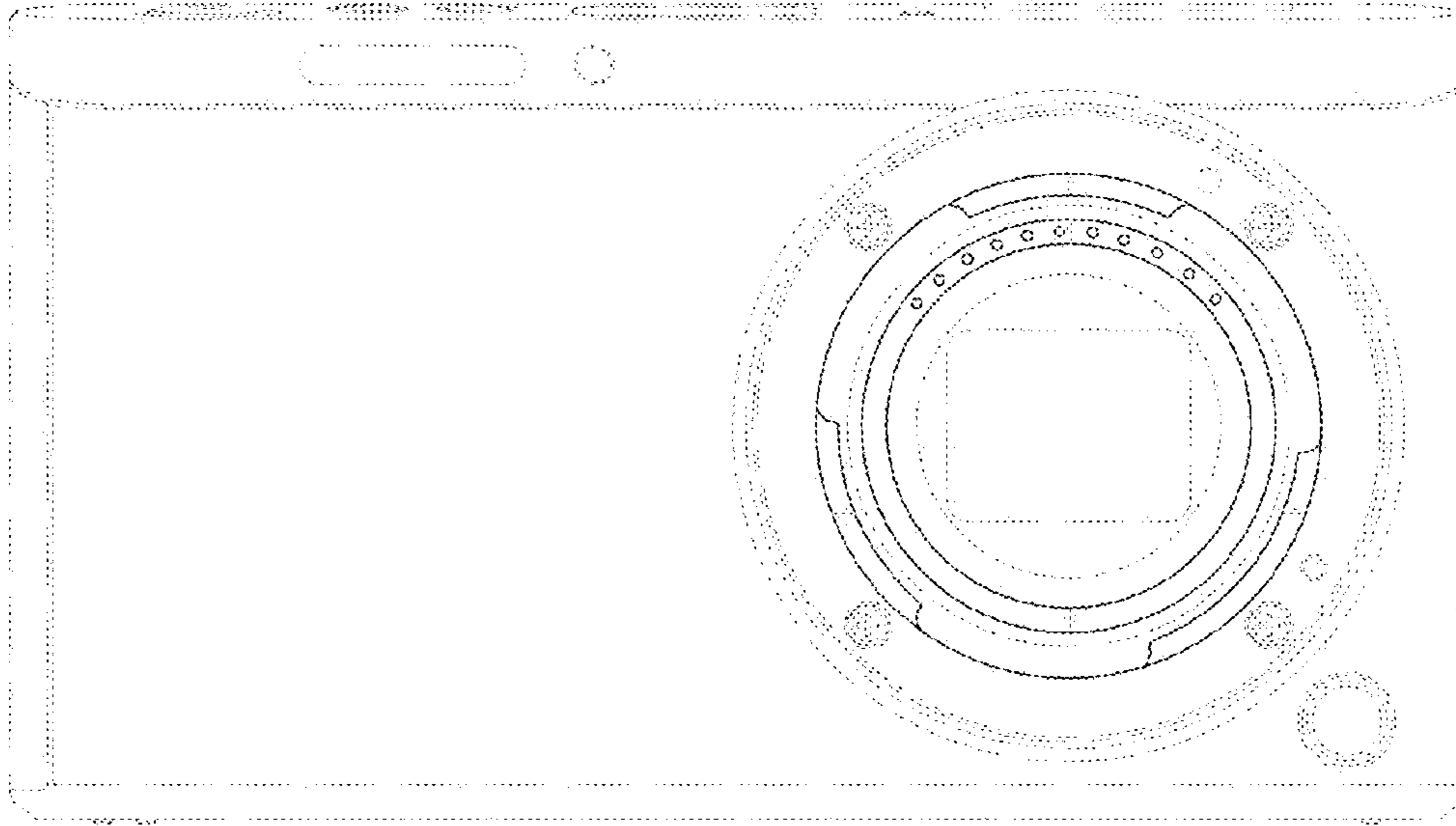


FIG. 3

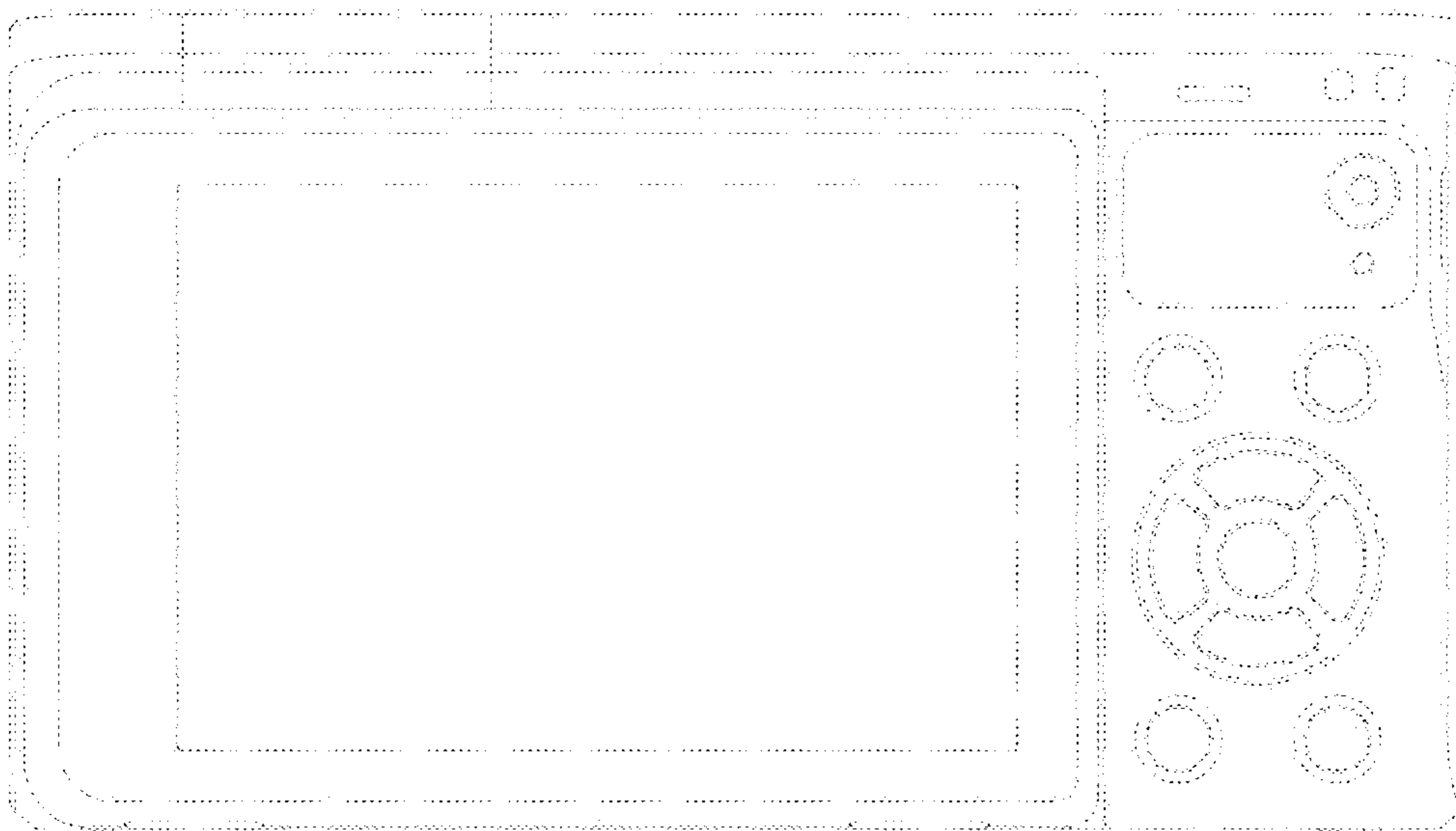


FIG. 4

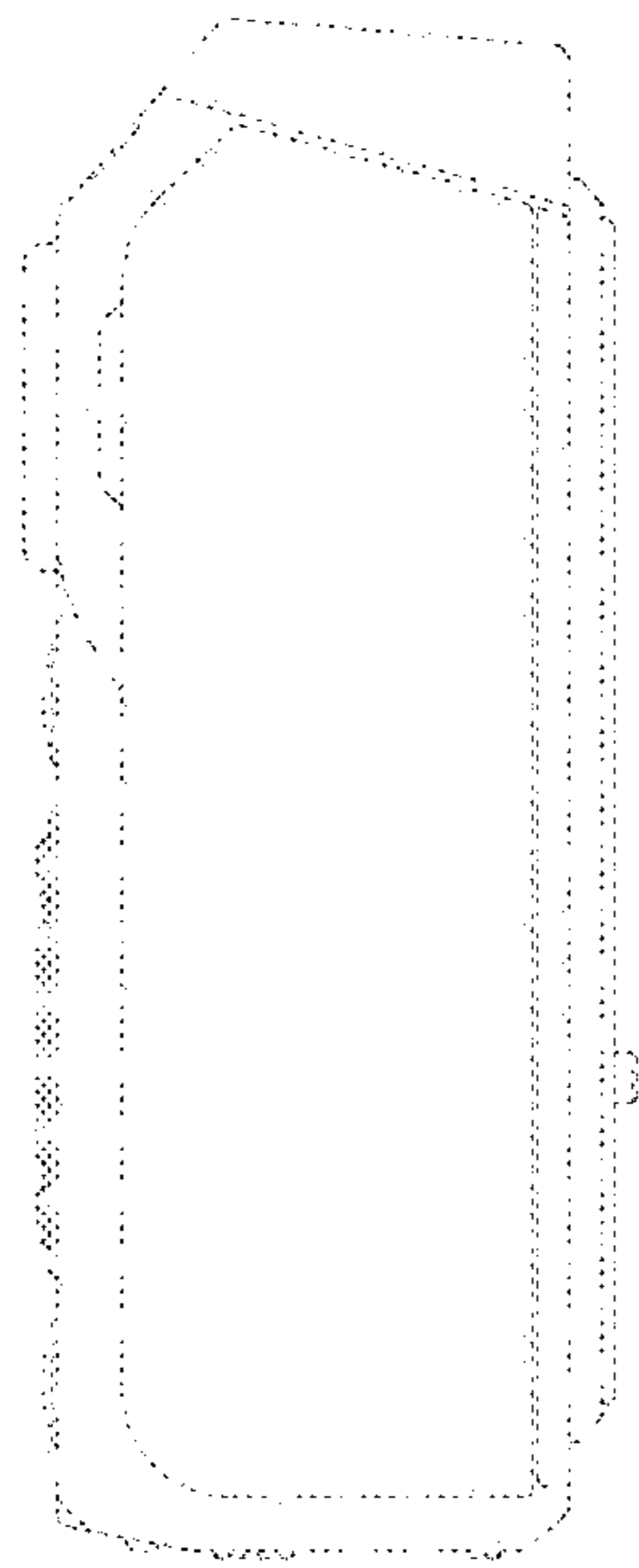


FIG. 5



FIG. 6

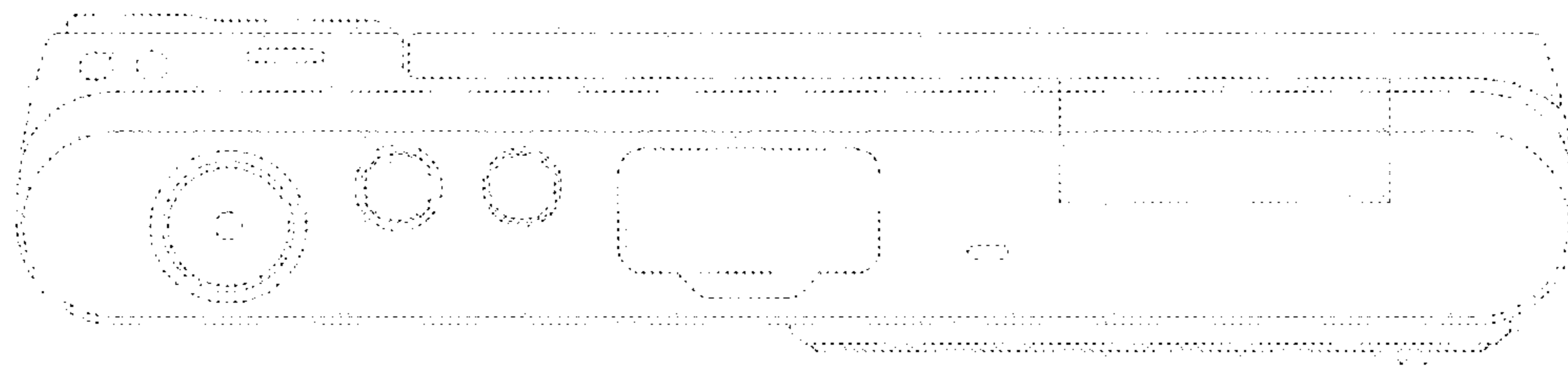


FIG. 7

