



US00D750149S

(12) **United States Design Patent**
Miyashita

(10) **Patent No.:** **US D750,149 S**
(45) **Date of Patent:** **** Feb. 23, 2016**

(54) **VIDEO CAMERA**

(71) Applicant: **Sony Corporation**, Tokyo (JP)

(72) Inventor: **Shin Miyashita**, Kanagawa (JP)

(73) Assignee: **Sony Corporation**, Tokyo (JP)

(**) Term: **14 Years**

(21) Appl. No.: **29/470,895**

(22) Filed: **Oct. 25, 2013**

Related U.S. Application Data

(63) Continuation of application No. 29/421,668, filed on Aug. 31, 2012, now Pat. No. Des. 694,800, which is a continuation of application No. 29/371,171, filed on Nov. 10, 2010, now Pat. No. Des. 667,039.

(30) **Foreign Application Priority Data**

May 11, 2010 (JP) D2010-011375
May 11, 2010 (JP) D2010-011376
May 11, 2010 (JP) D2010-011415
May 11, 2010 (JP) D2010-011416
May 11, 2010 (JP) D2010-011523
May 11, 2010 (JP) D2010-011524
May 11, 2010 (JP) D2010-011525

(51) **LOC (10) Cl.** **16-05**

(52) **U.S. Cl.**
USPC **D16/219**

(58) **Field of Classification Search**
USPC D16/200, 202-208, 210, 218, 219, 242;
D14/204, 206, 225; 348/231.99,
348/373-376; 358/906; 396/536-538
CPC G03B 17/02; G03B 19/04; G03B 17/56;
G03B 17/04; G03B 15/03; G03B 17/14;
H04N 5/2251; H04N 5/2252; H04N 5/2253;
H04N 5/2254
See application file for complete search history.

(56) **References Cited**

U.S. PATENT DOCUMENTS

5,035,392 A 7/1991 Gross et al.
D375,107 S 10/1996 Ishii
D376,166 S 12/1996 Ishii
5,803,571 A 9/1998 McEntyre et al.
D404,051 S 1/1999 Ishii
D417,230 S * 11/1999 Sumita D16/202

(Continued)

FOREIGN PATENT DOCUMENTS

JP 63-057637 A 3/1988
JP D897533 S 4/1994

(Continued)

Primary Examiner — Adir Aronovich

Assistant Examiner — Ramzi Almatrahi

(74) *Attorney, Agent, or Firm* — Michael Best & Friedrich LLP

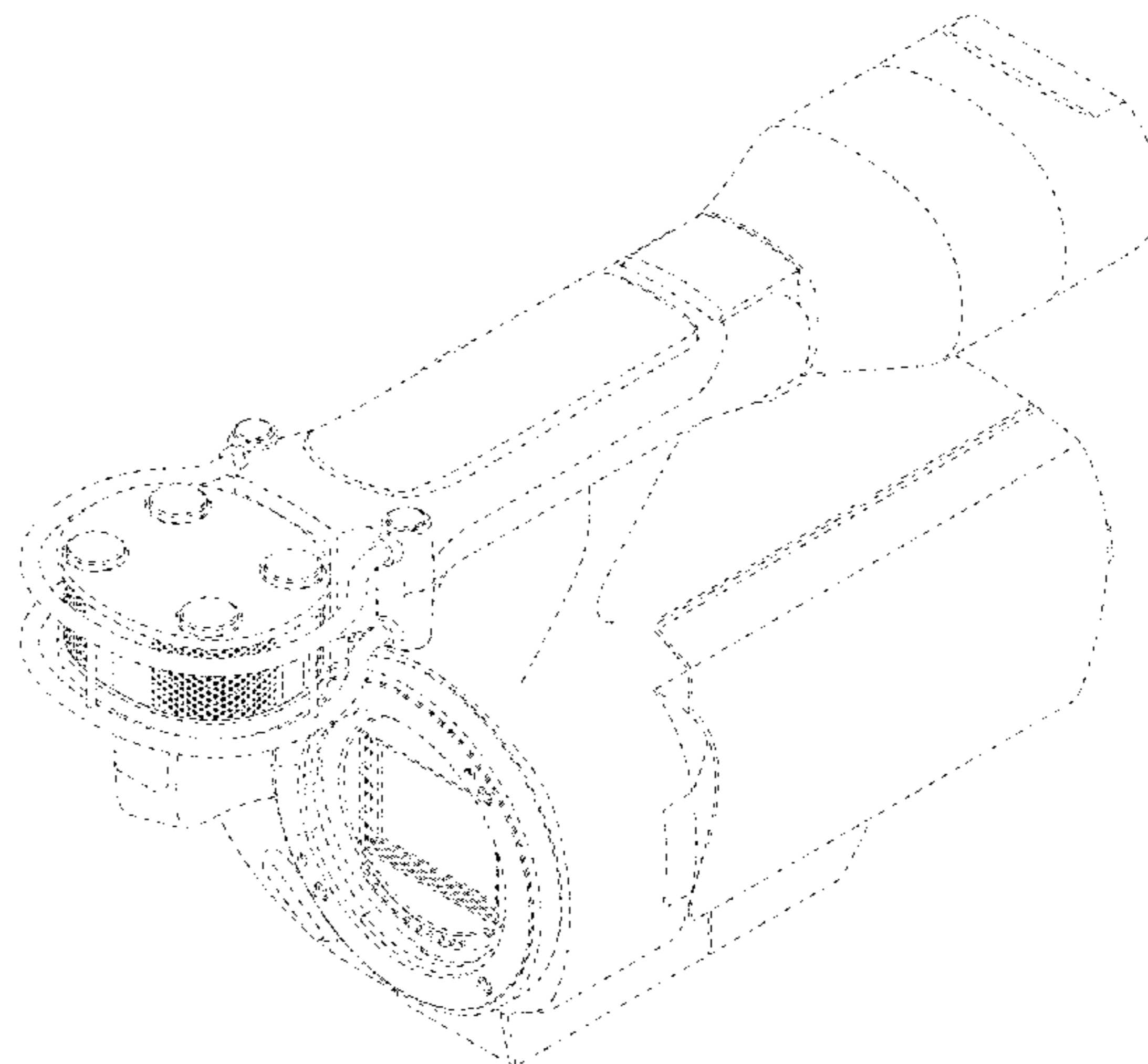
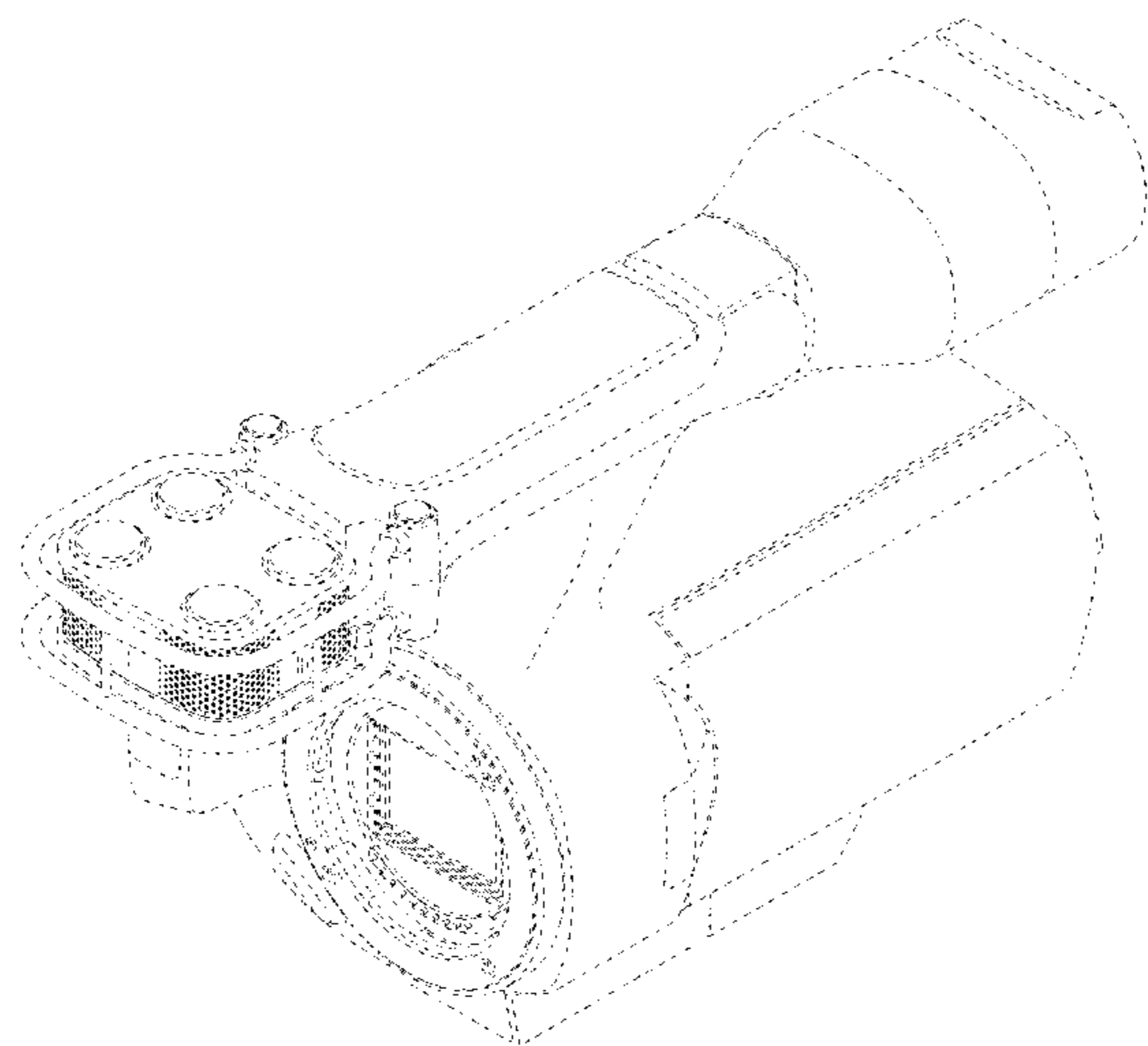
(57) **CLAIM**

The ornamental design for a video camera, as shown and described.

DESCRIPTION

FIG. 1 is a perspective view of a first embodiment of a video camera showing my new design;
FIG. 2 is a front elevational view thereof;
FIG. 3 is a left side elevational view thereof; and
FIG. 4 is a right side elevational view thereof.
FIG. 5 is a perspective view of a second embodiment of a video camera showing my new design;
FIG. 6 is a front elevational view thereof;
FIG. 7 is a left side elevational view thereof; and,
FIG. 8 is a right side elevational view thereof.
The broken lines in the drawing are included for the purpose of illustrating environmental subject matter and form no part of the claimed design.

1 Claim, 8 Drawing Sheets



(56)

References Cited

U.S. PATENT DOCUMENTS

D452,861 S 1/2002 Ogasawara
 D461,360 S 8/2002 Bossler
 D466,499 S 12/2002 Nakano
 D471,201 S 3/2003 Tsukuda
 D481,746 S 11/2003 Lu et al.
 D489,057 S * 4/2004 Obata D14/225
 D493,456 S 7/2004 Ogasawara
 D501,660 S 2/2005 Kumano
 D508,065 S 8/2005 Dow et al.
 D510,737 S 10/2005 Yokota
 D522,559 S 6/2006 Naito et al.
 D528,576 S 9/2006 Chung et al.
 D537,463 S * 2/2007 Sadatsuki D16/202
 D542,332 S 5/2007 Miyahara
 D557,309 S 12/2007 Shimizu
 D557,720 S * 12/2007 Shimizu D16/202
 D559,247 S 1/2008 Kawase
 D559,879 S 1/2008 Sumita
 D559,880 S 1/2008 Sumita
 D565,081 S 3/2008 Ishikawa
 D567,807 S * 4/2008 Bodley D14/225
 D574,027 S 7/2008 Miyazaki
 D576,197 S 9/2008 Takagi
 D585,900 S 2/2009 Kumano
 D586,836 S 2/2009 Liow et al.
 7,522,834 B2 4/2009 Heaven et al.
 D592,231 S 5/2009 Schnell

D594,030 S 6/2009 Rayn
 D596,217 S 7/2009 Kim et al.
 D600,265 S 9/2009 Miyashita
 7,595,837 B2 * 9/2009 Kobayashi H04N 5/2252
 348/373
 D611,520 S 3/2010 Melder
 D621,435 S 8/2010 Green et al.
 D644,679 S 9/2011 Woodman
 D646,313 S 10/2011 Woodman
 D648,363 S 11/2011 Takagi et al.
 D654,943 S 2/2012 Ogasawara et al.
 D655,325 S 3/2012 Nojima et al.
 D657,409 S 4/2012 Miyashita
 D657,811 S 4/2012 Woodman
 D662,913 S * 7/2012 Birger D14/206
 D667,039 S * 9/2012 Miyashita D16/202
 D669,930 S 10/2012 Koyama et al.
 D671,588 S 11/2012 Couch, III
 D717,854 S * 11/2014 Yasutomi D16/219
 D719,140 S * 12/2014 Sanhui D14/225
 D719,203 S * 12/2014 Horiki D16/202
 D722,096 S * 2/2015 Ann D16/218

FOREIGN PATENT DOCUMENTS

JP 09-211645 A 8/1997
 JP D1131140 S 1/2002
 JP D1286721 S 11/2006
 JP D1299636 S 5/2007

* cited by examiner

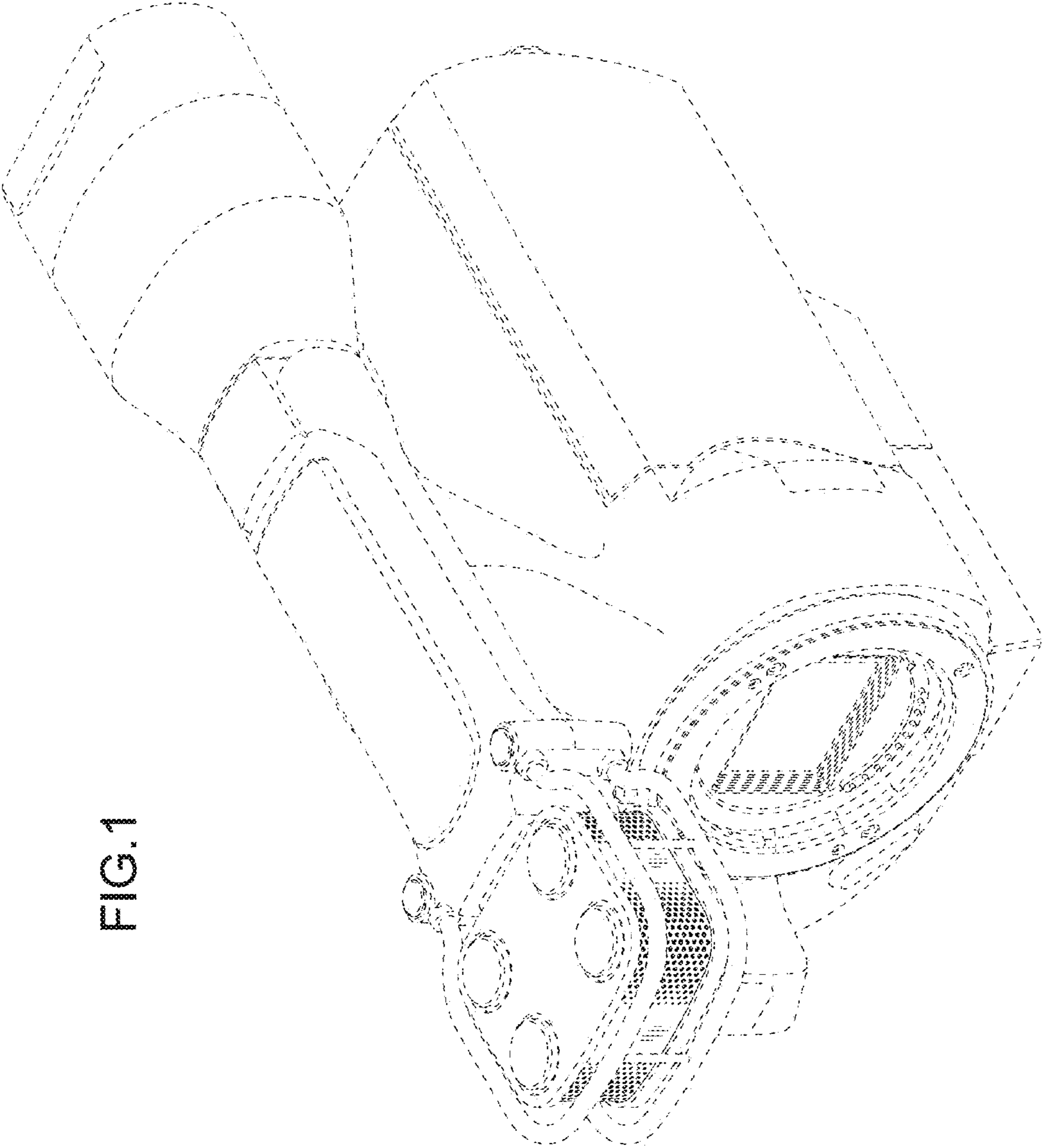
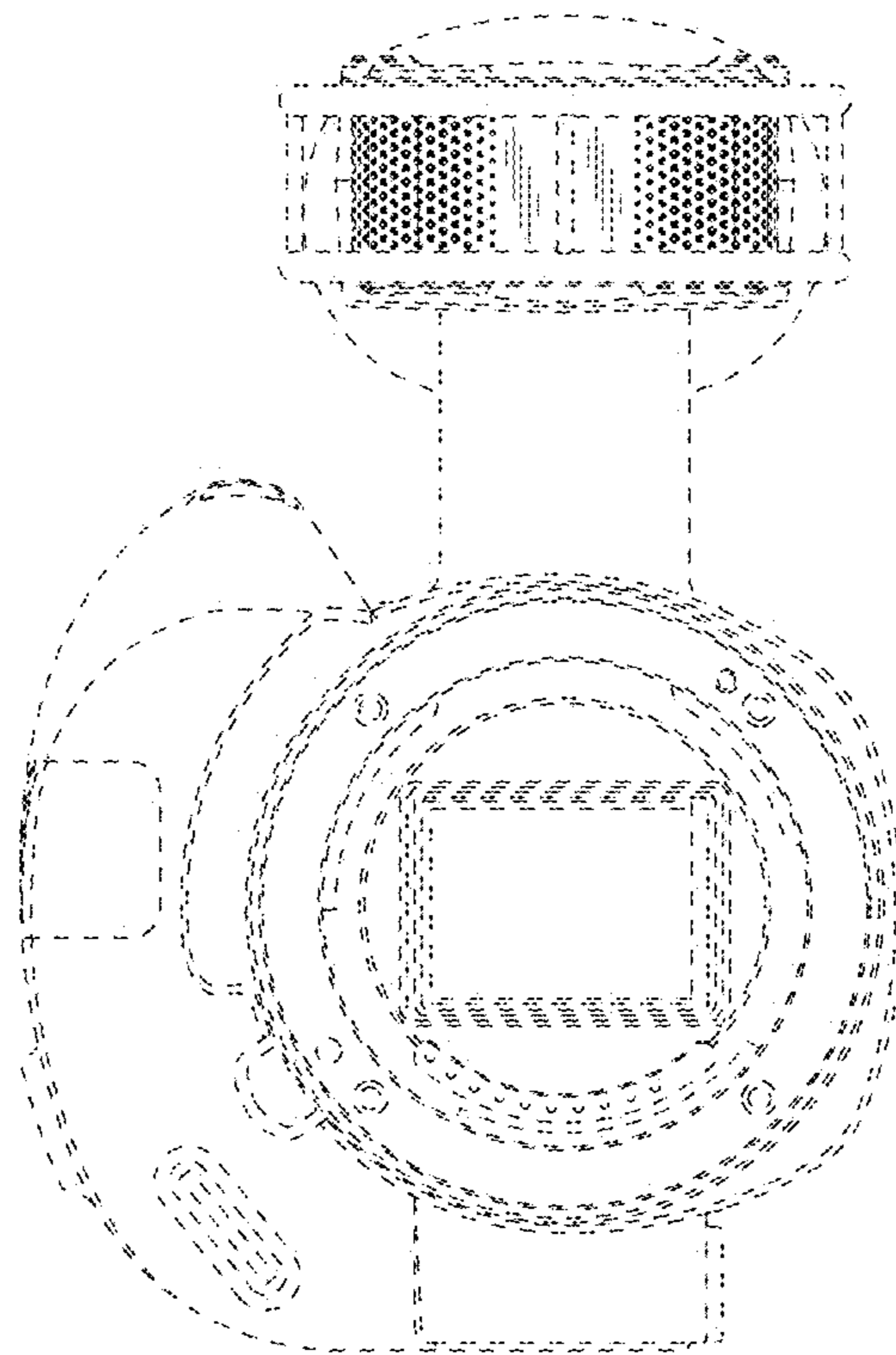


FIG. 1

FIG.2



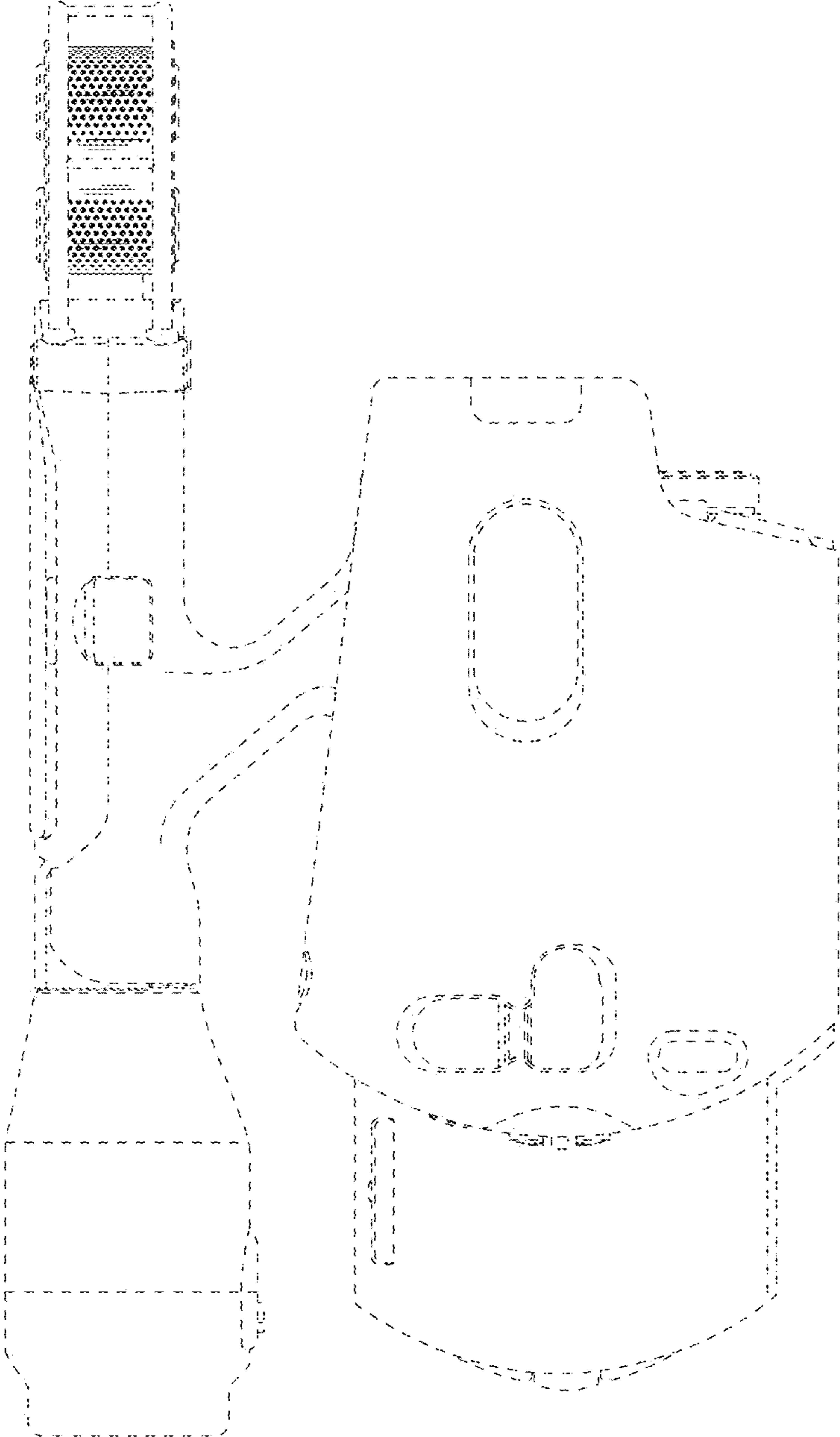


FIG.3

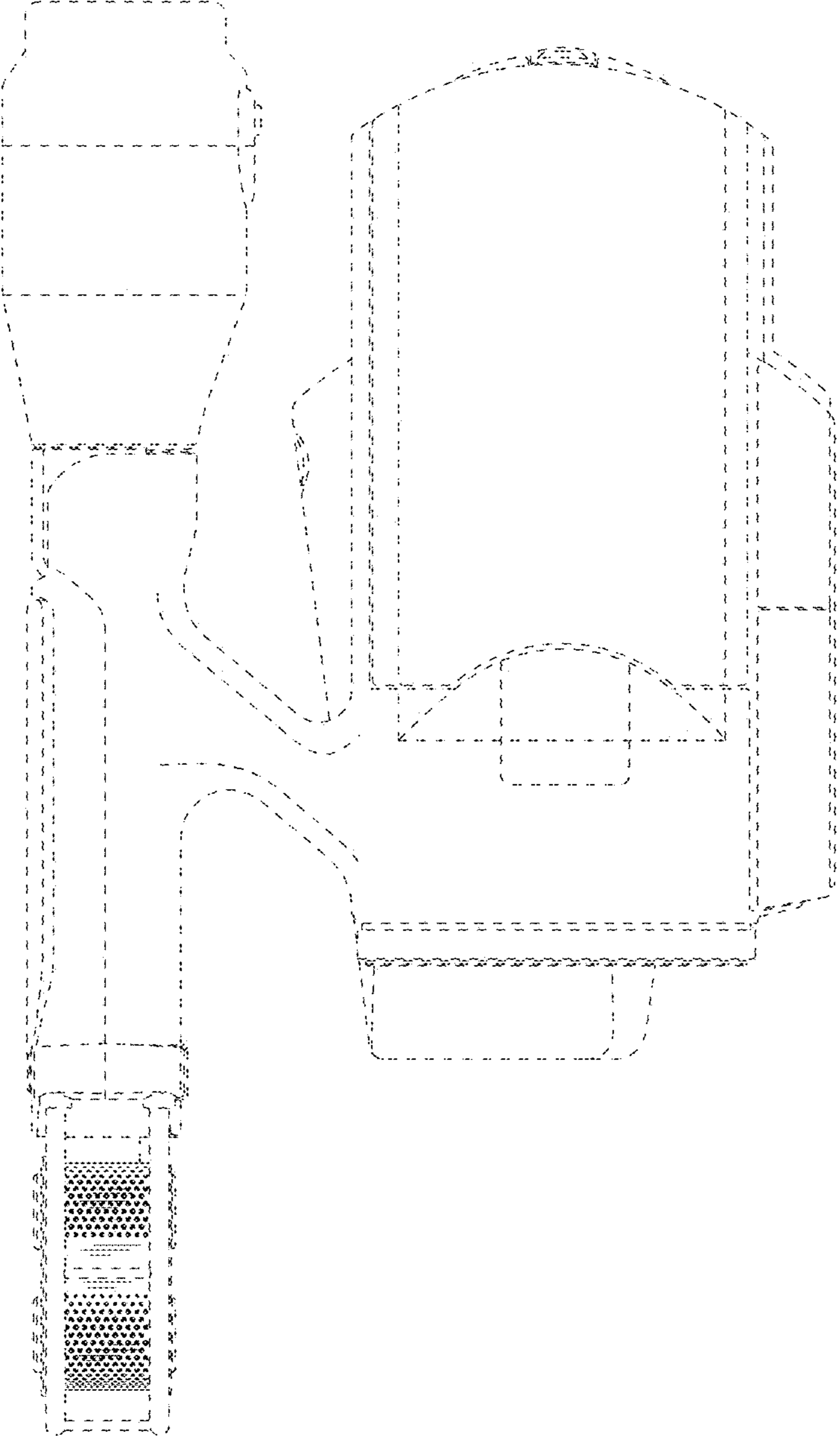


FIG.4

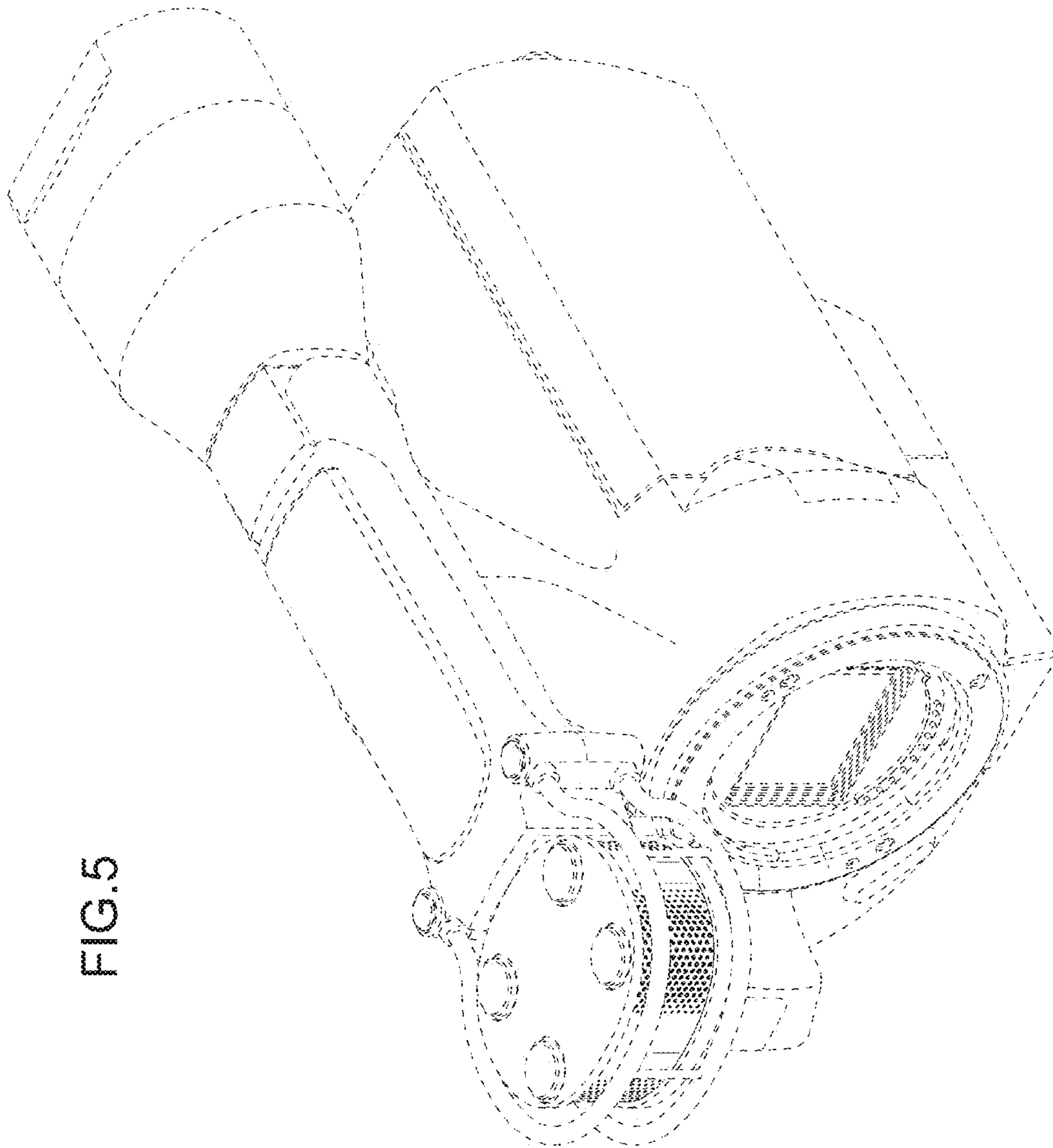
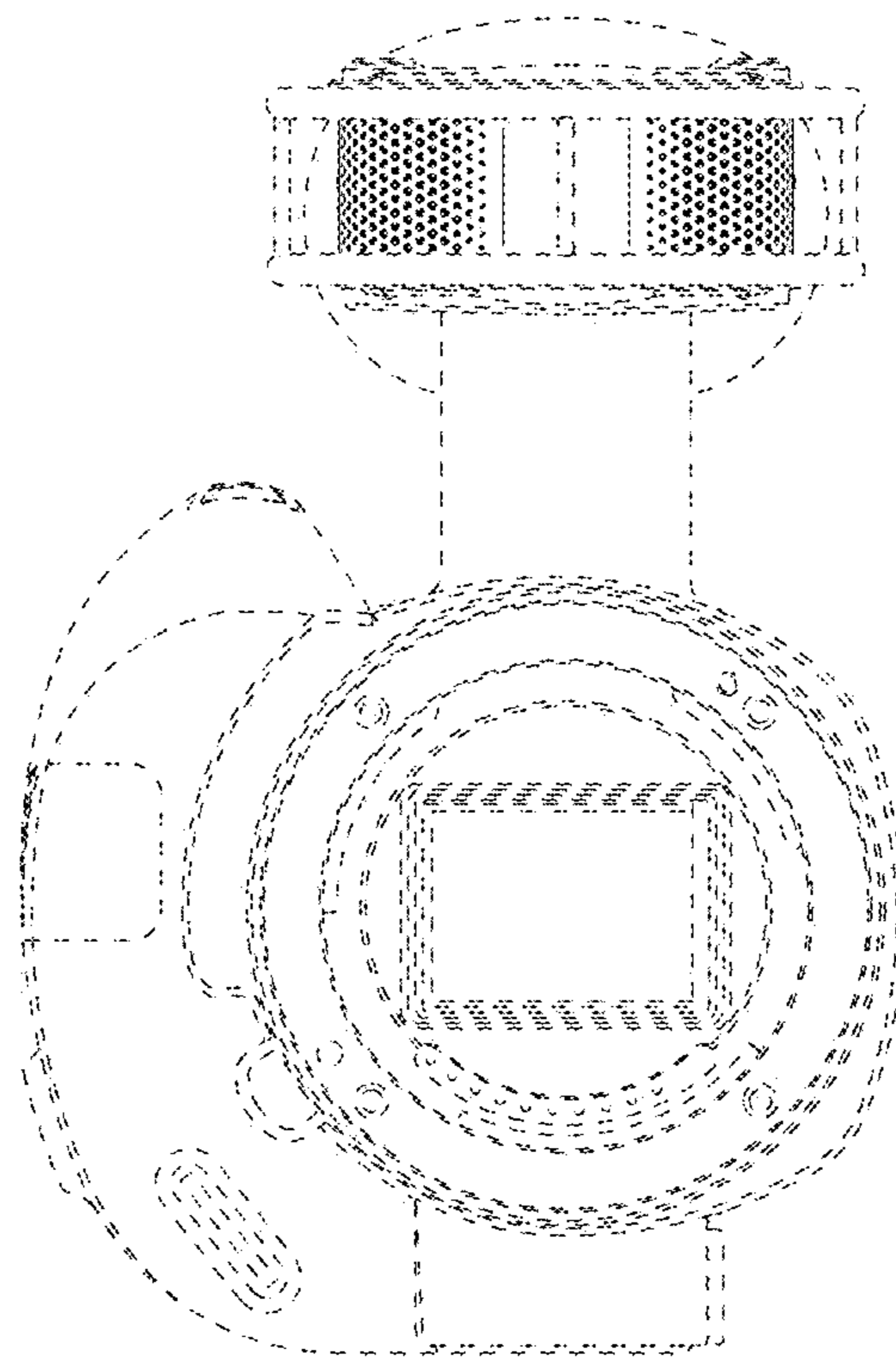


FIG. 5

FIG.6



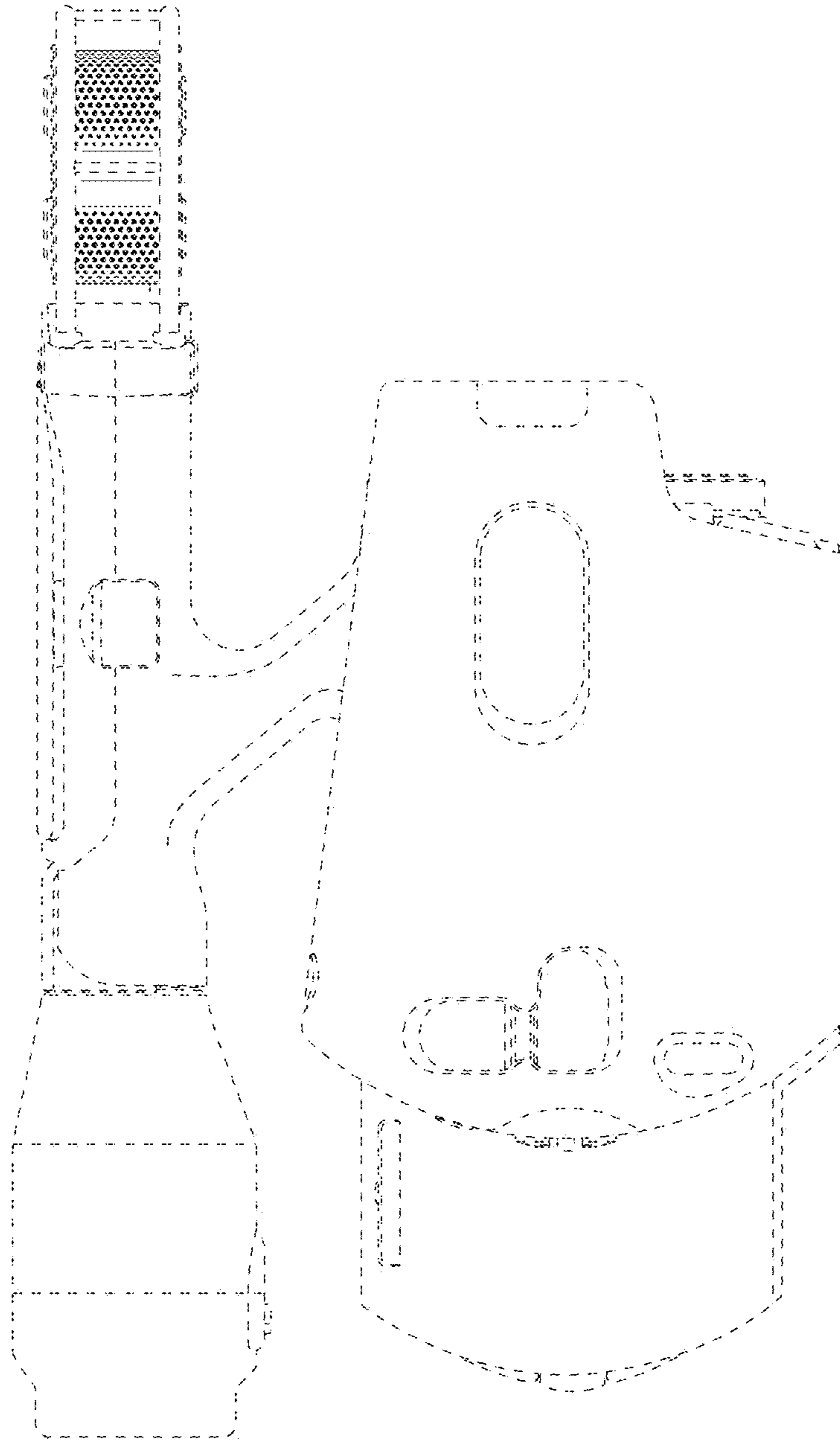


FIG. 7

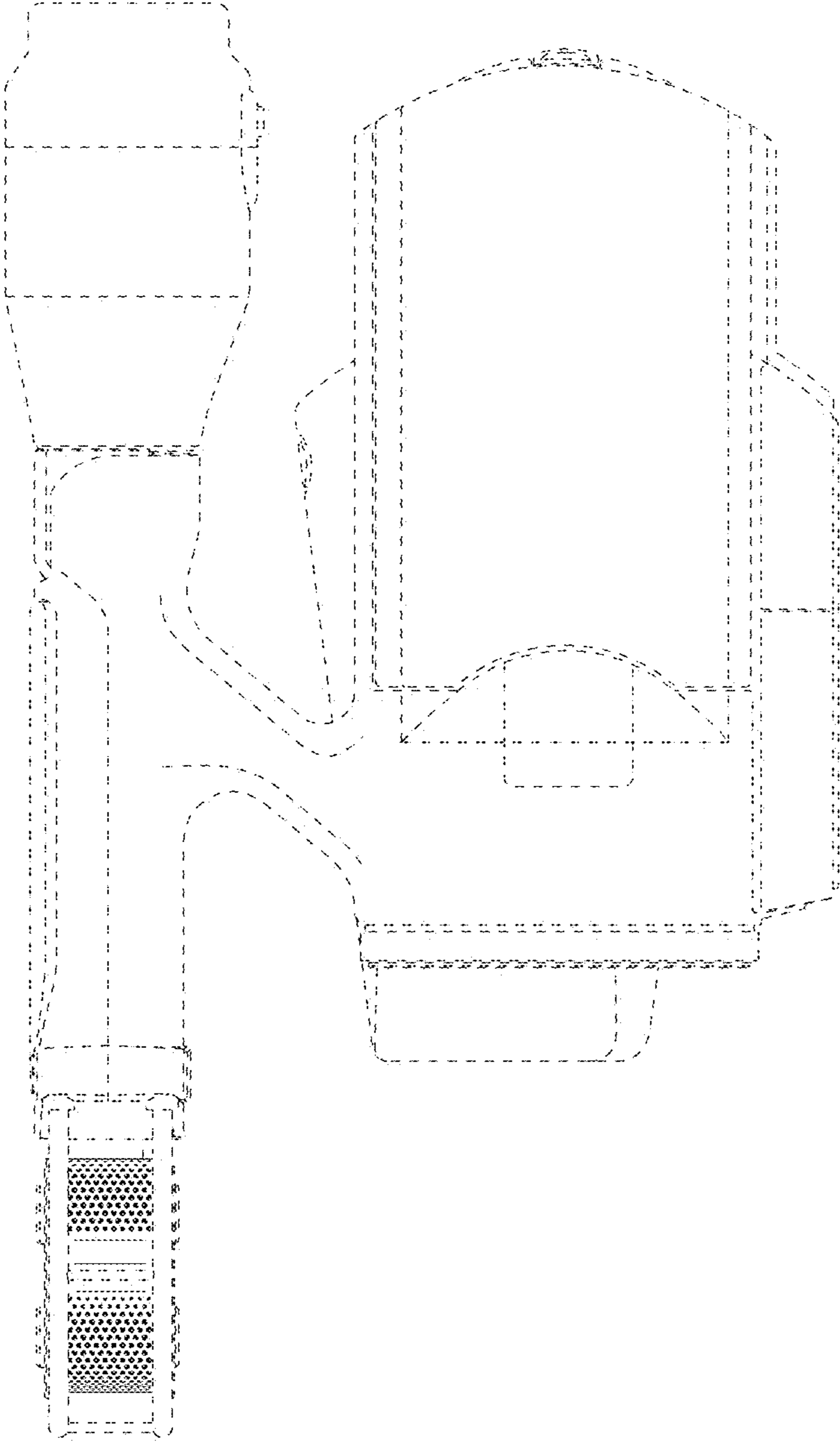


FIG. 8