



US00D750148S

(12) **United States Design Patent**
Eriksen et al.

(10) **Patent No.:** **US D750,148 S**
(45) **Date of Patent:** **** Feb. 23, 2016**

(54) **ELECTRONIC CAMERA**

(71) Applicants: **Stein Ove Eriksen**, Oslo (NO); **Anders Eikenes**, Palo Alto, CA (US); **Sindre Widerberg**, Oslo (NO)

(72) Inventors: **Stein Ove Eriksen**, Oslo (NO); **Anders Eikenes**, Palo Alto, CA (US); **Sindre Widerberg**, Oslo (NO)

(**) Term: **14 Years**

(21) Appl. No.: **29/492,868**

(22) Filed: **Jun. 3, 2014**

(51) **LOC (10) Cl.** **16-01**

(52) **U.S. Cl.**

USPC **D16/218**

(58) **Field of Classification Search**

USPC D16/200, 202–203, 208, 218, 219, 242;
248/187.1; 348/14.01–14.6, 143, 148,
348/151, 373–376; 396/419, 427, 428, 535,
396/539–541

CPC G03B 17/02; G03B 19/04; G03B 17/56;
G03B 17/04; G03B 15/03; H04N 5/2251;
H04N 5/2252; H04N 5/2253; H04N 5/2254;
H04N 2007/145; H04N 7/141; H04N 7/142;
H04N 7/147; H04N 7/148; H04N 7/15;
H04N 7/152

See application file for complete search history.

(56) **References Cited**

U.S. PATENT DOCUMENTS

D366,270 S *	1/1996	Hasegawa	D16/203
D409,641 S *	5/1999	Uehara	D16/203
D442,982 S *	5/2001	Adachi et al.	D16/203
D470,520 S *	2/2003	Yamakawa et al.	D16/203
D489,744 S *	5/2004	Muto	D16/203
D563,448 S *	3/2008	Yamakawa et al.	D16/202
D613,784 S *	4/2010	Wang et al.	D16/203
D614,222 S *	4/2010	Yamakawa	D16/203
D654,942 S *	2/2012	Khamsepoor et al.	D16/202
D668,282 S *	10/2012	Ohno et al.	D16/203
D682,332 S *	5/2013	Wang et al.	D16/202

8,475,059 B2 * 7/2013 Khamsepoor et al. 396/428
D705,843 S * 5/2014 Kawai D16/202

* cited by examiner

Primary Examiner — Susan E Krakower

Assistant Examiner — Ramzi Almatrahi

(74) *Attorney, Agent, or Firm* — Edge Tech Law LLP

(57) **CLAIM**

The ornamental design for an electronic camera, as shown and described.

DESCRIPTION

FIG. 1 is a top, front, and left side perspective view of an electronic camera shown in a folded configuration;

FIG. 2 is a front view thereof;

FIG. 3 is a back view thereof;

FIG. 4 is a right side view thereof;

FIG. 5 is a left side view thereof;

FIG. 6 is a top view thereof;

FIG. 7 is a bottom view thereof;

FIG. 8 is a bottom, front, and right side perspective view of an electronic camera shown in an unfolded configuration;

FIG. 9 is a front view thereof;

FIG. 10 is a back view thereof;

FIG. 11 is a right side view thereof;

FIG. 12 is a left side view thereof;

FIG. 13 is a top view thereof;

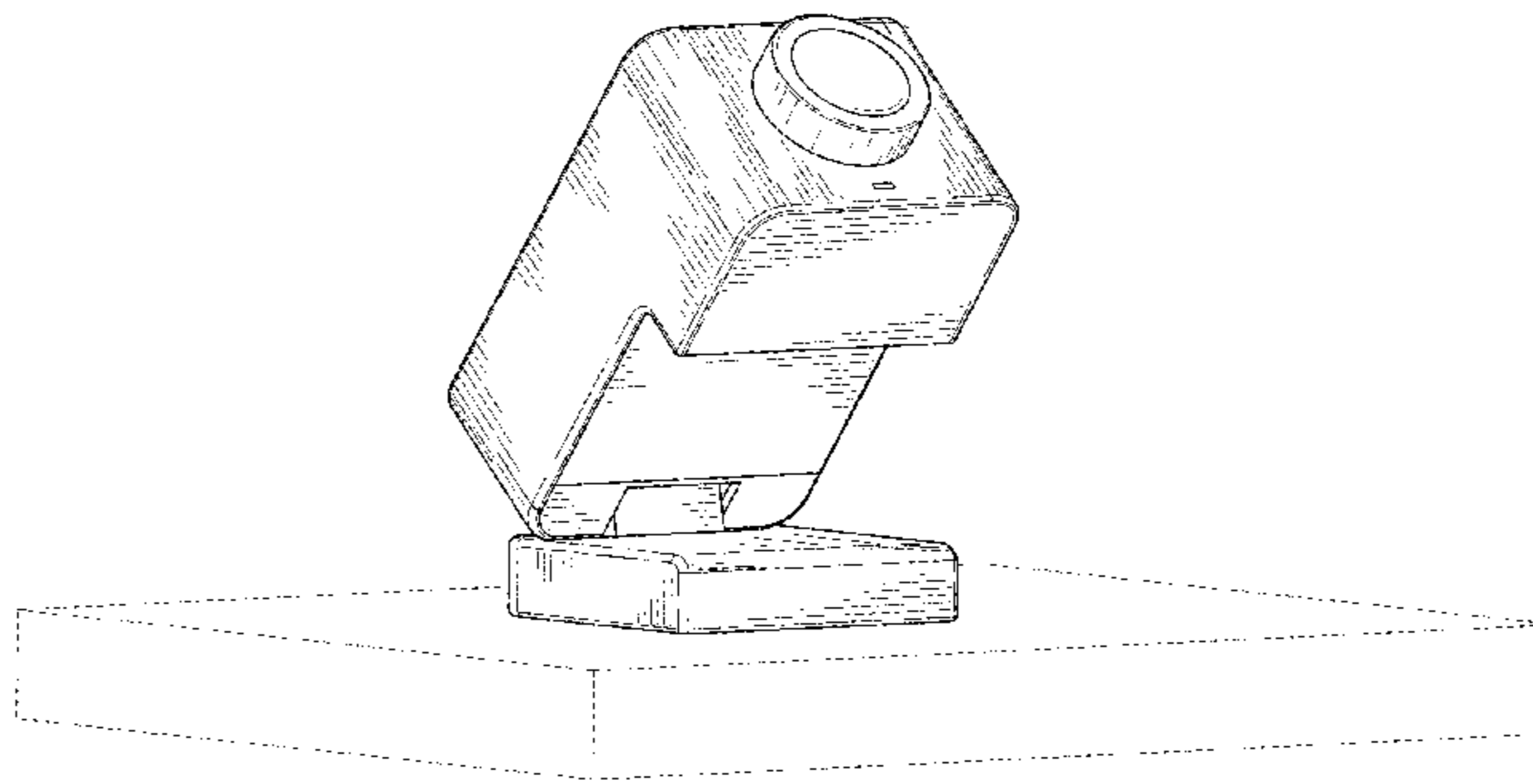
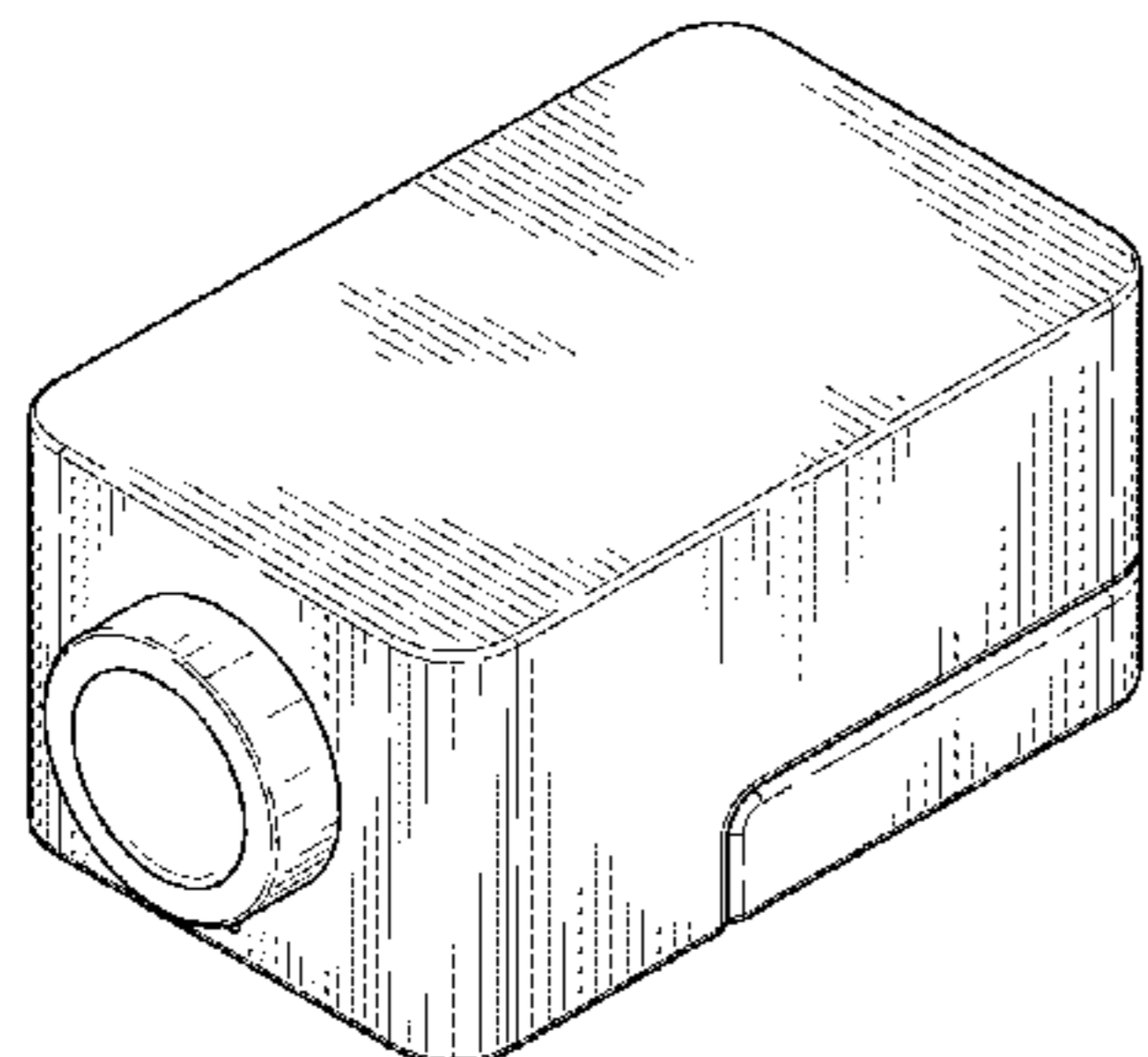
FIG. 14 is a bottom view thereof;

FIG. 15 is a top, front, and left side perspective view of an electronic camera in a partially unfolded configuration, hanging on an unclaimed elongated structure; and,

FIG. 16 is a bottom, front, and right side perspective view of an electronic camera in a partially unfolded configuration, resting on an unclaimed surface.

The broken lines visible in FIG. 8 depicts a portion of the electronic camera in which the design is embodied and forms no part of the claimed design. The broken lines showing trapezoid elements in FIGS. 3 and 10 represent connector opening and power hookup mechanisms and form no part of the claimed design. The broken lines showing an elongated structure and a surface in FIGS. 15 and 16 represent environmental structure and forms no part of the claimed design.

1 Claim, 6 Drawing Sheets



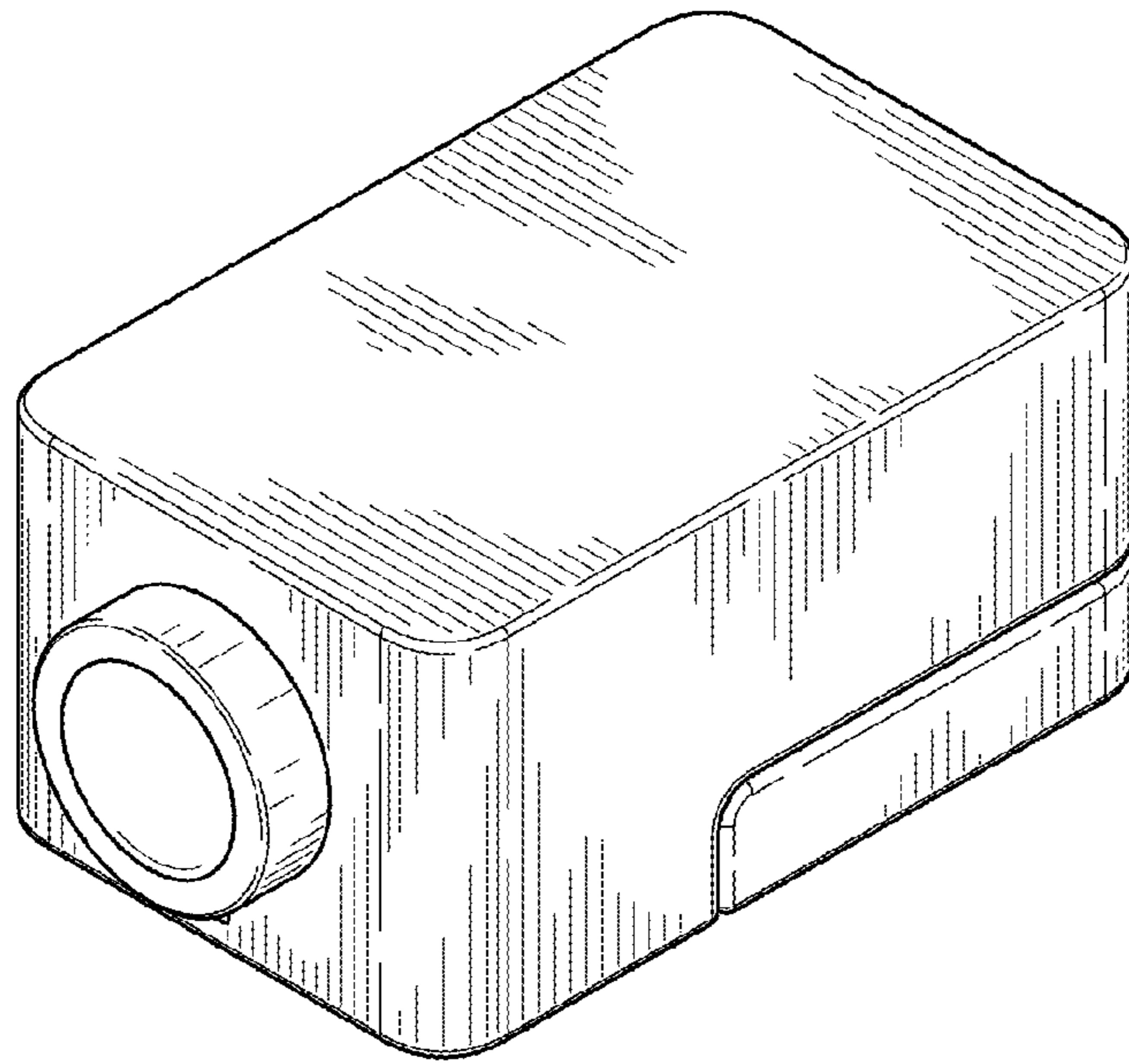


FIG. 1

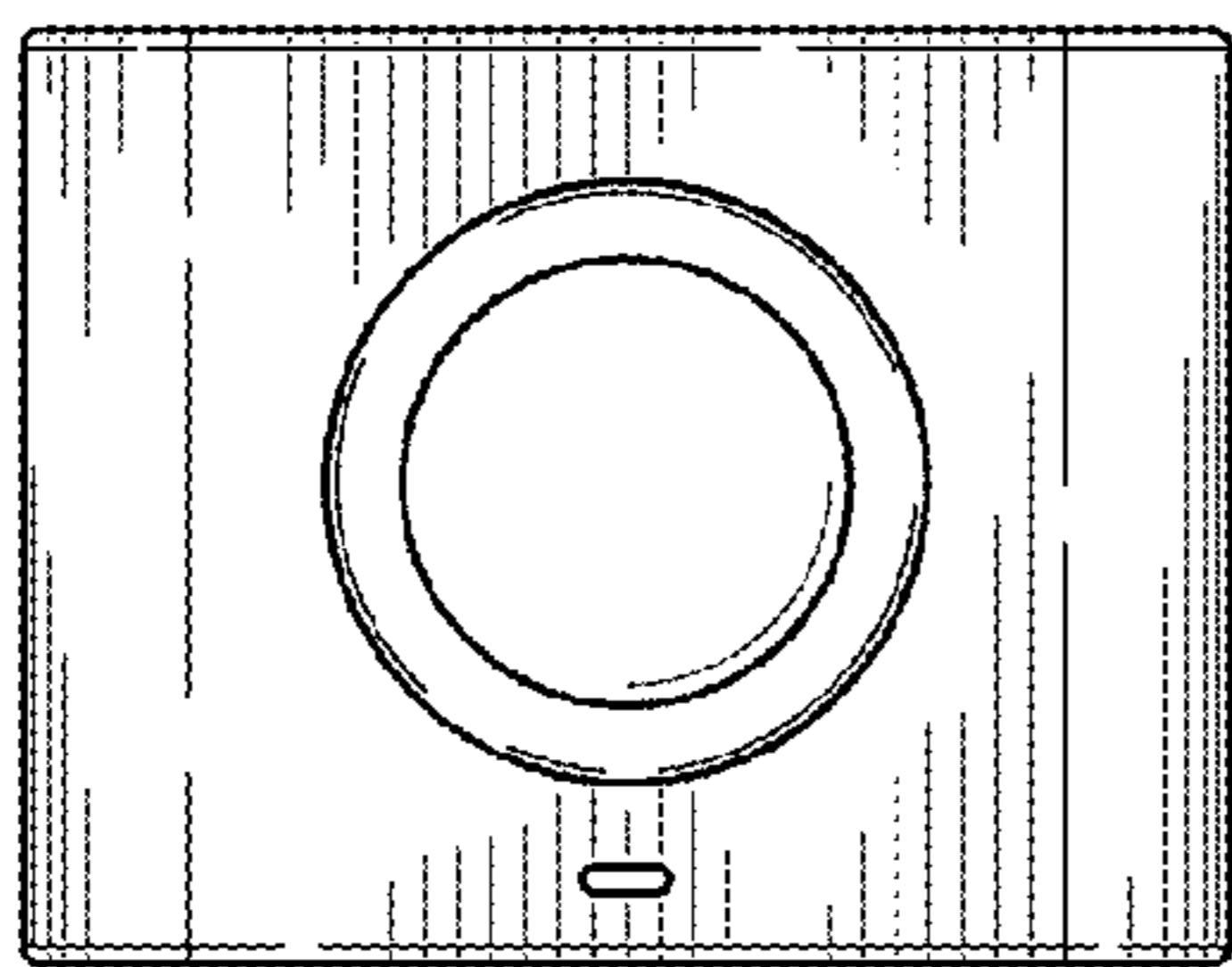


FIG. 2

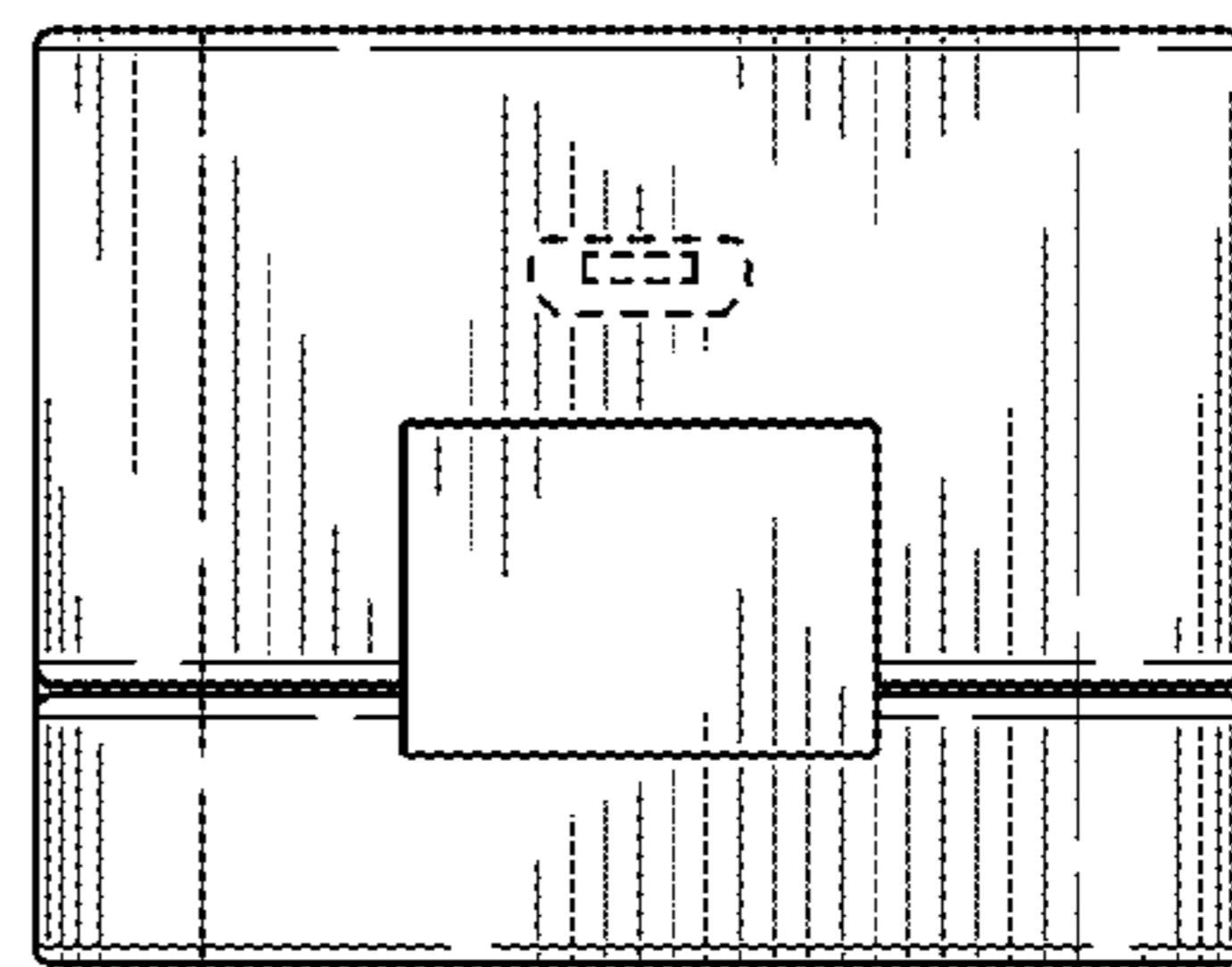


FIG. 3

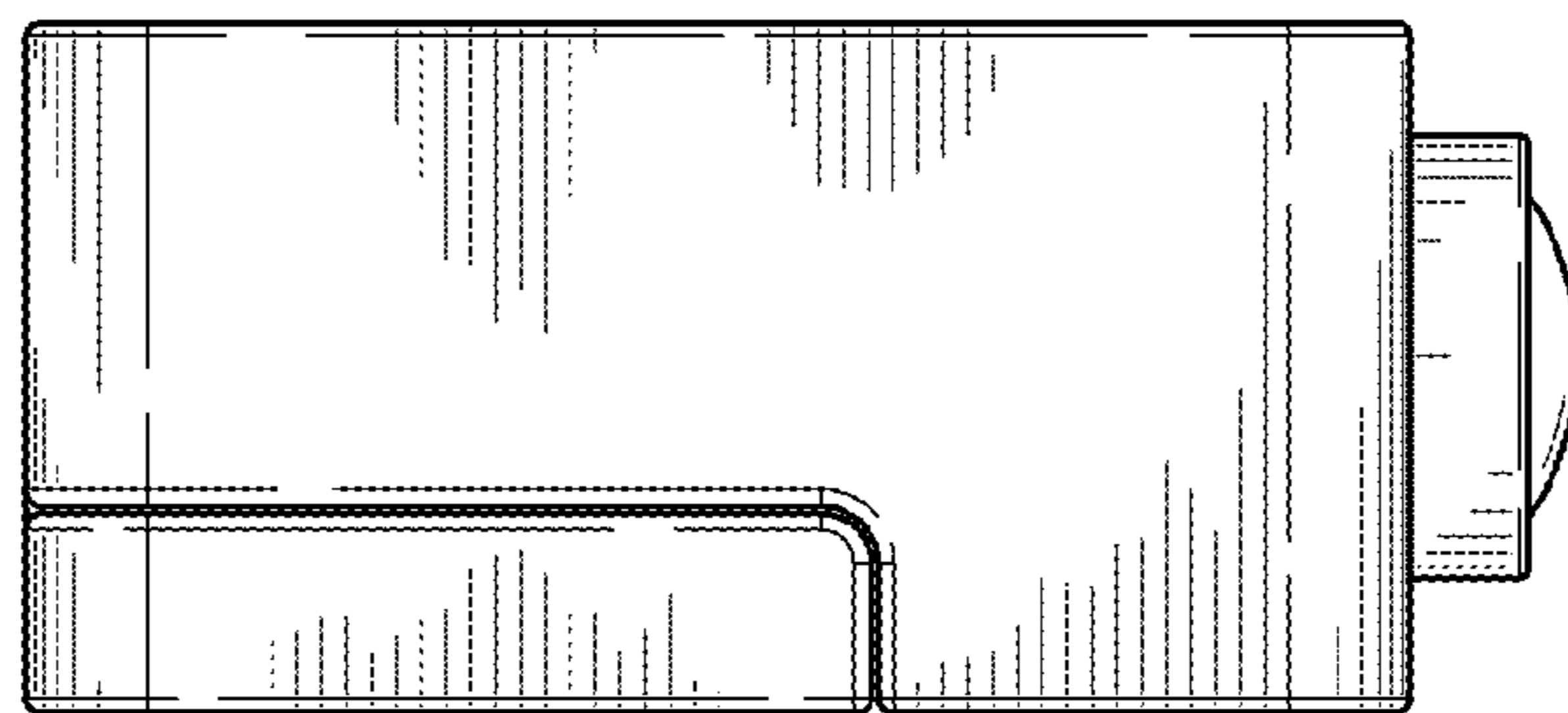


FIG. 4

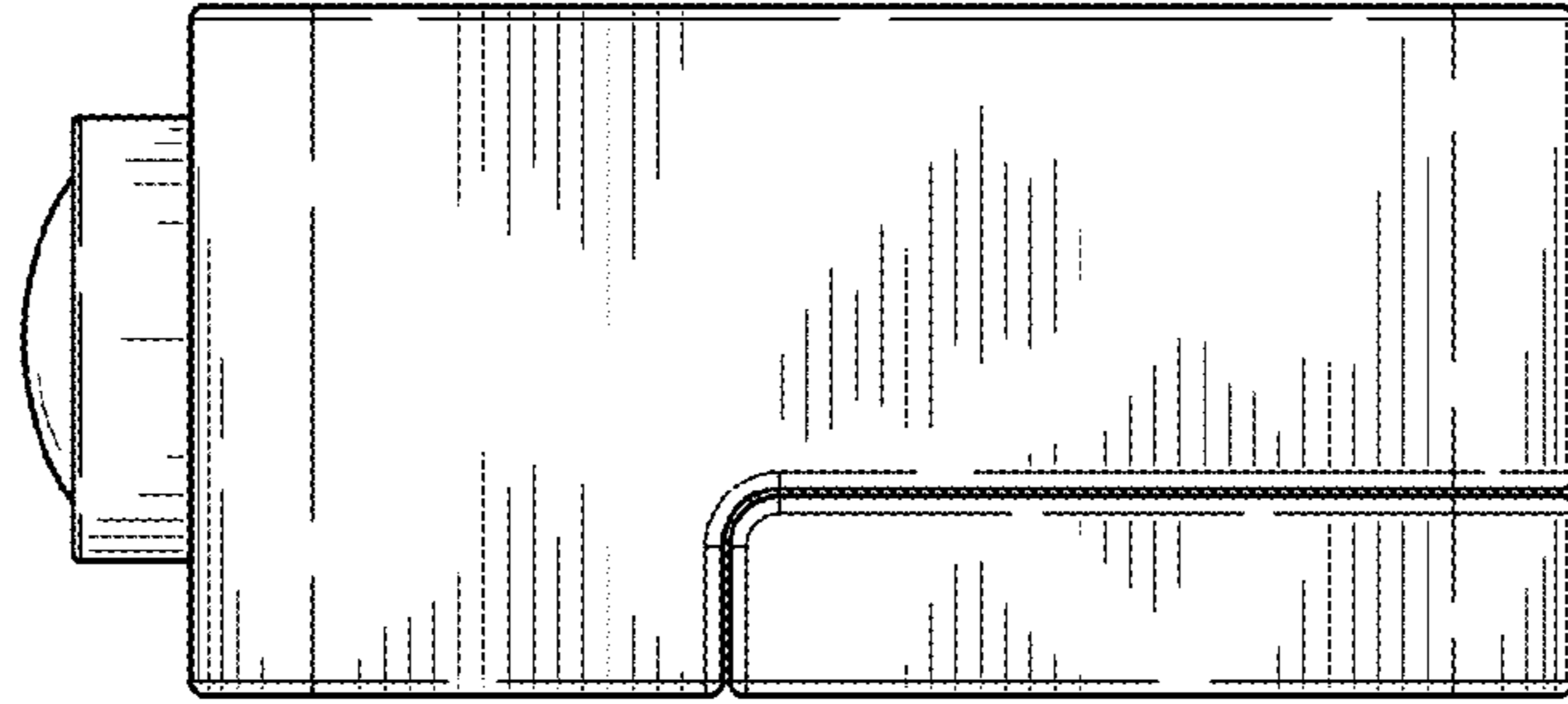


FIG. 5

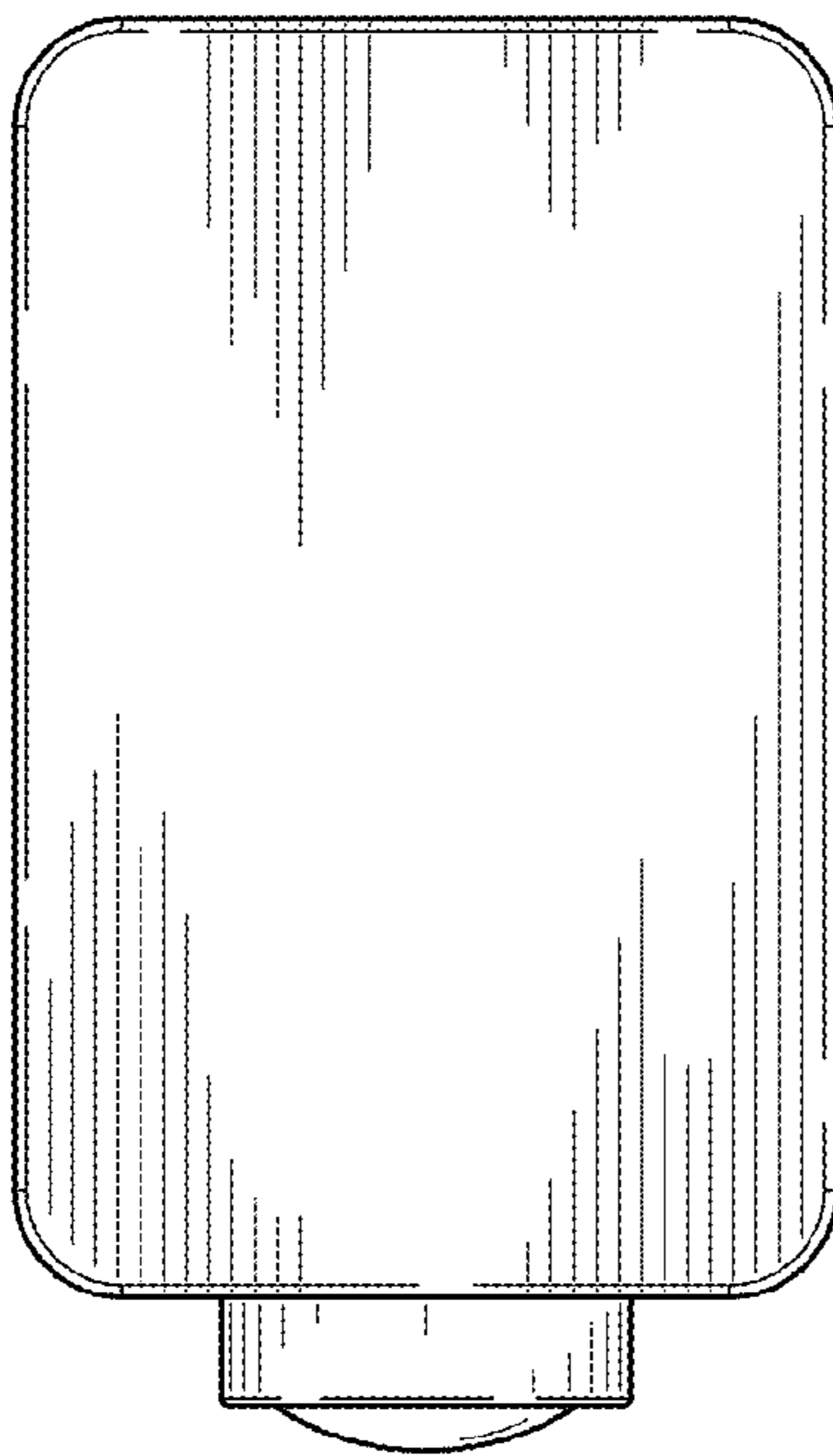


FIG. 6

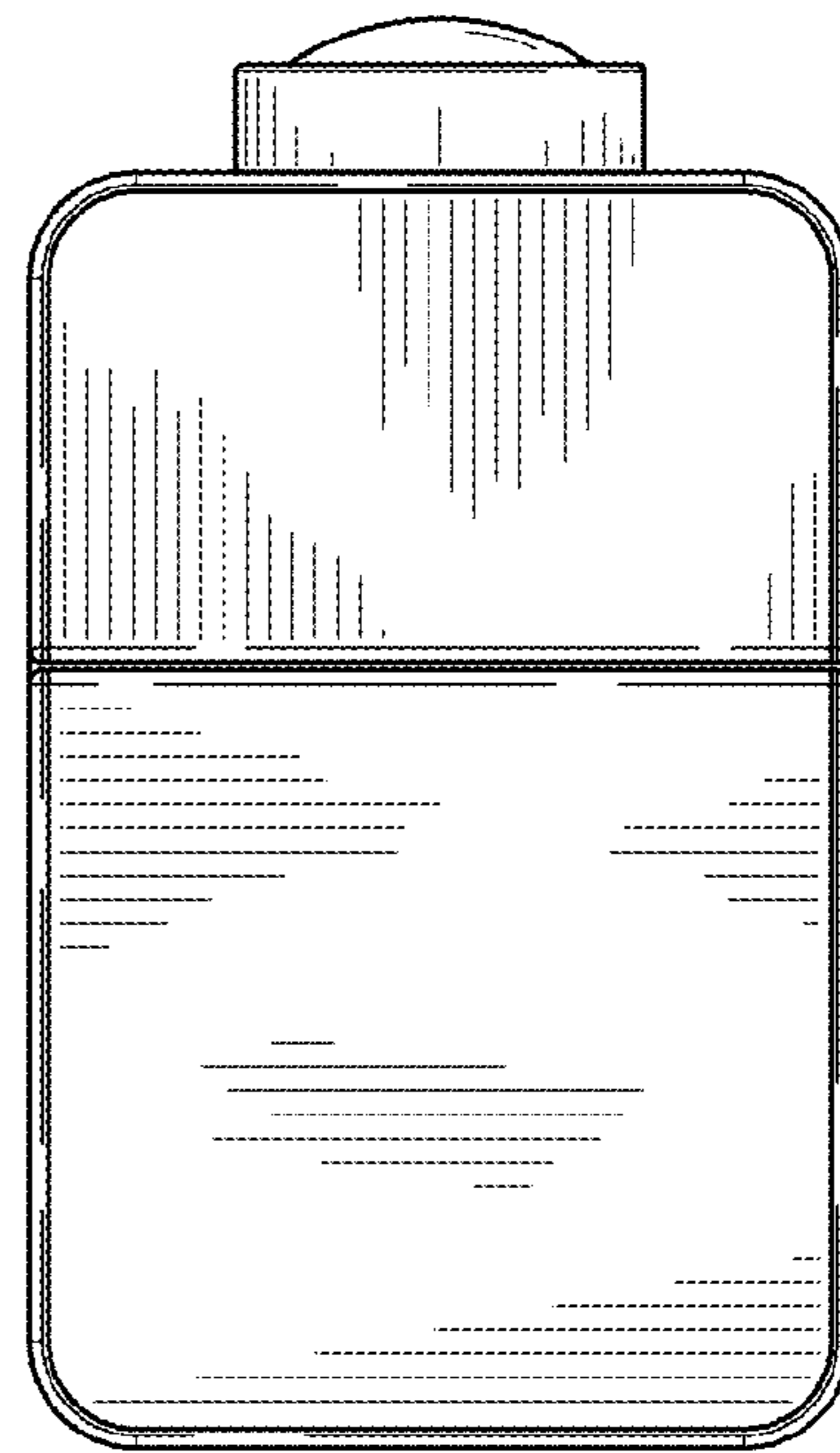


FIG. 7

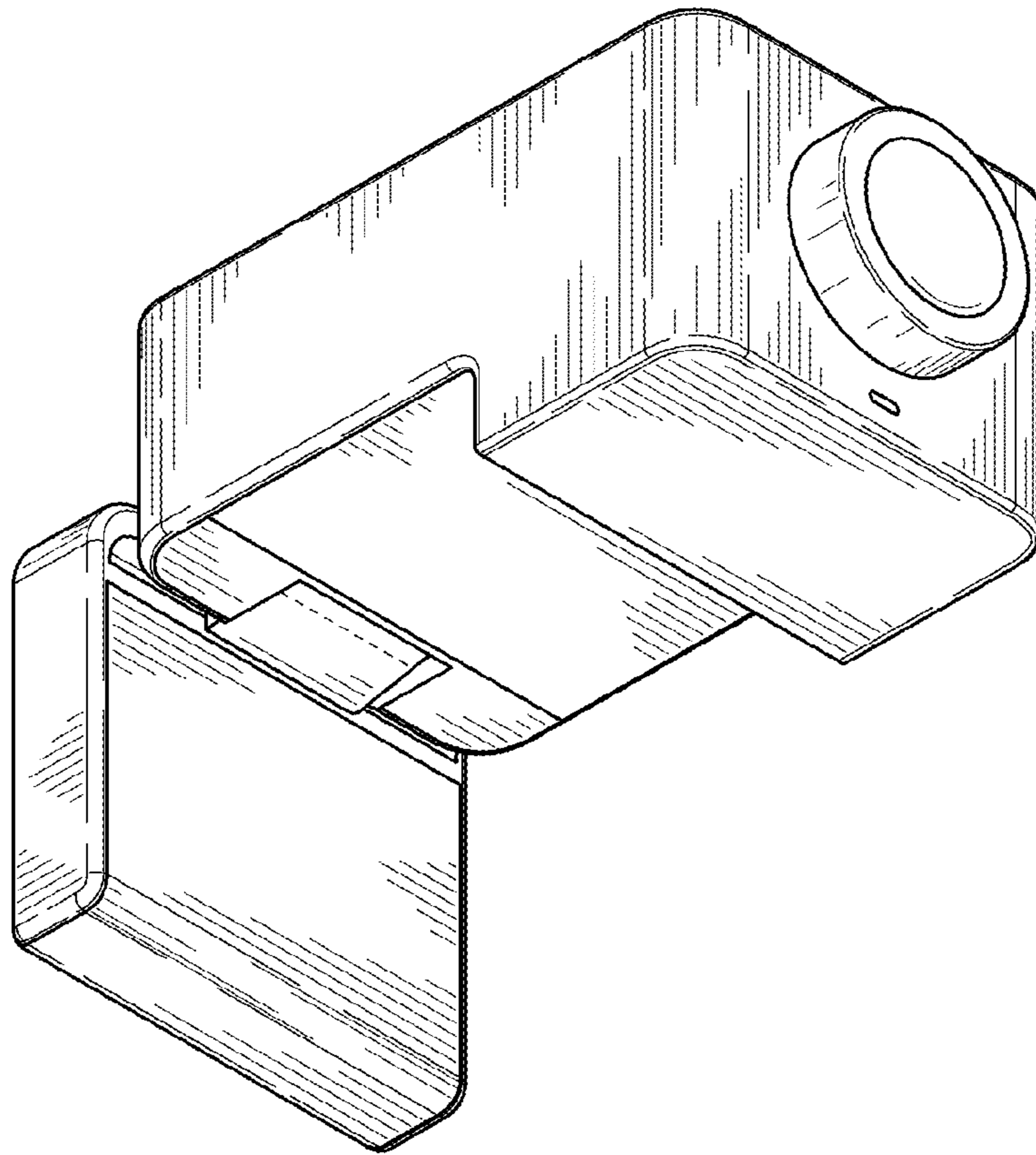


FIG. 8

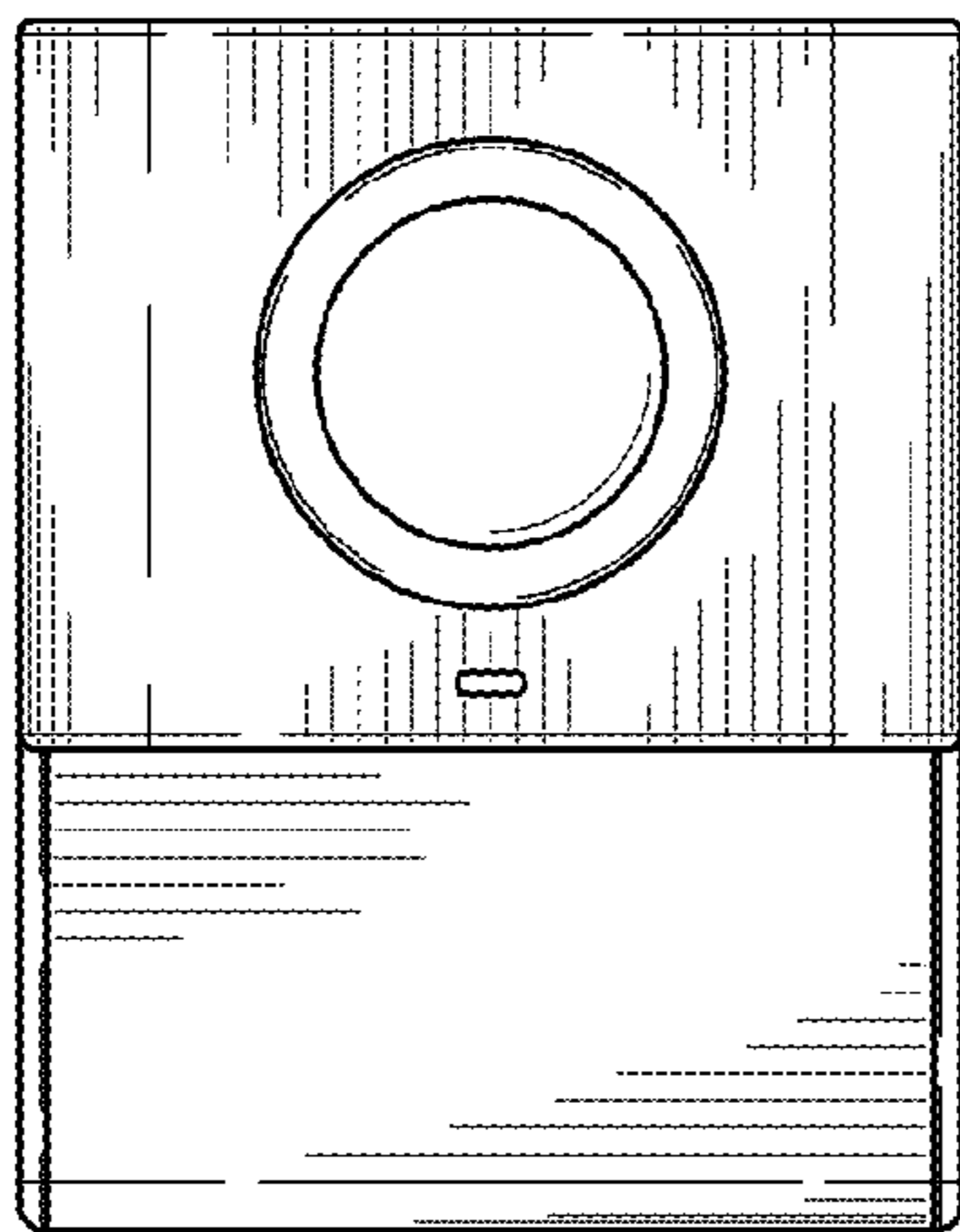


FIG. 9

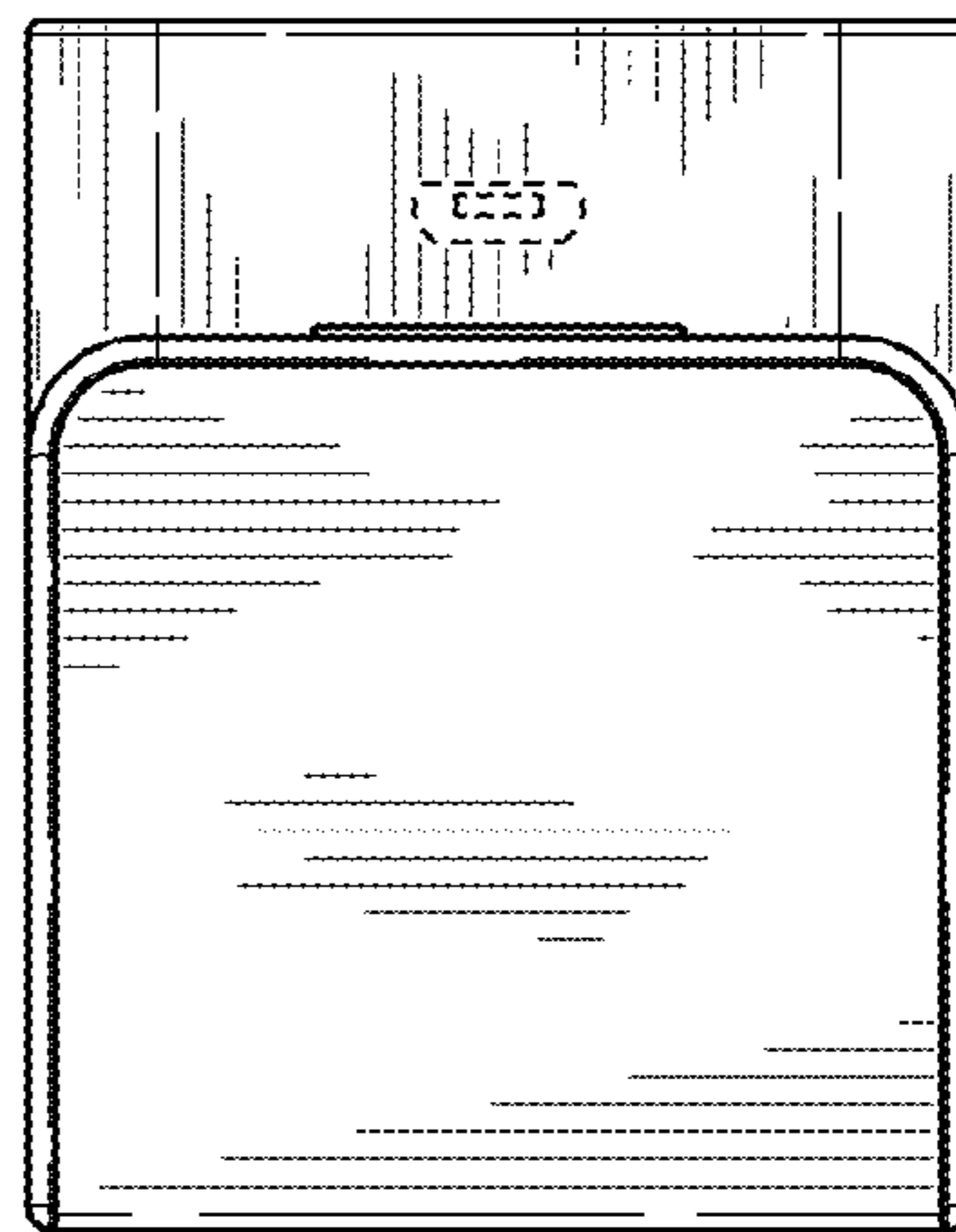


FIG. 10

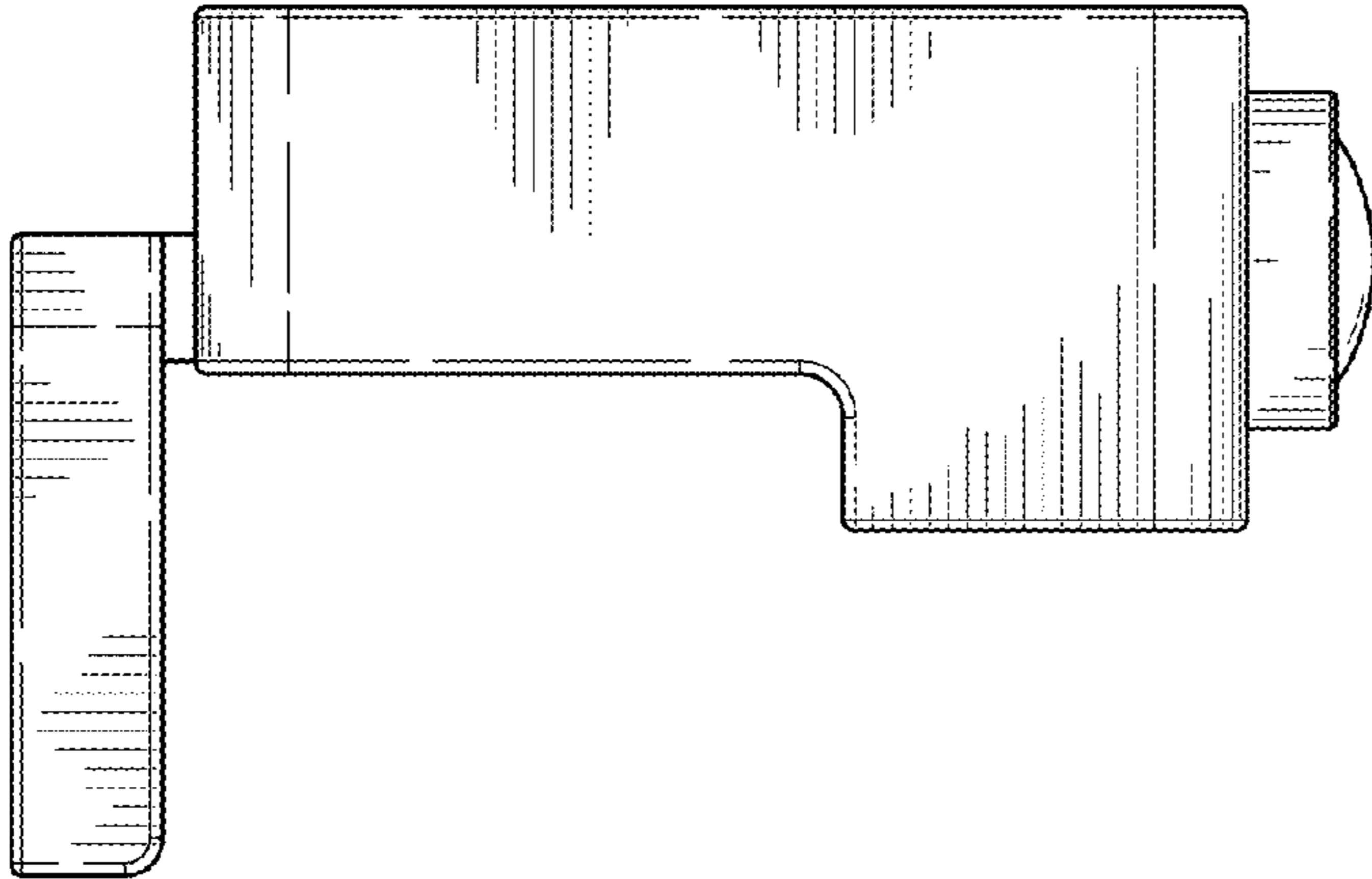


FIG. 11

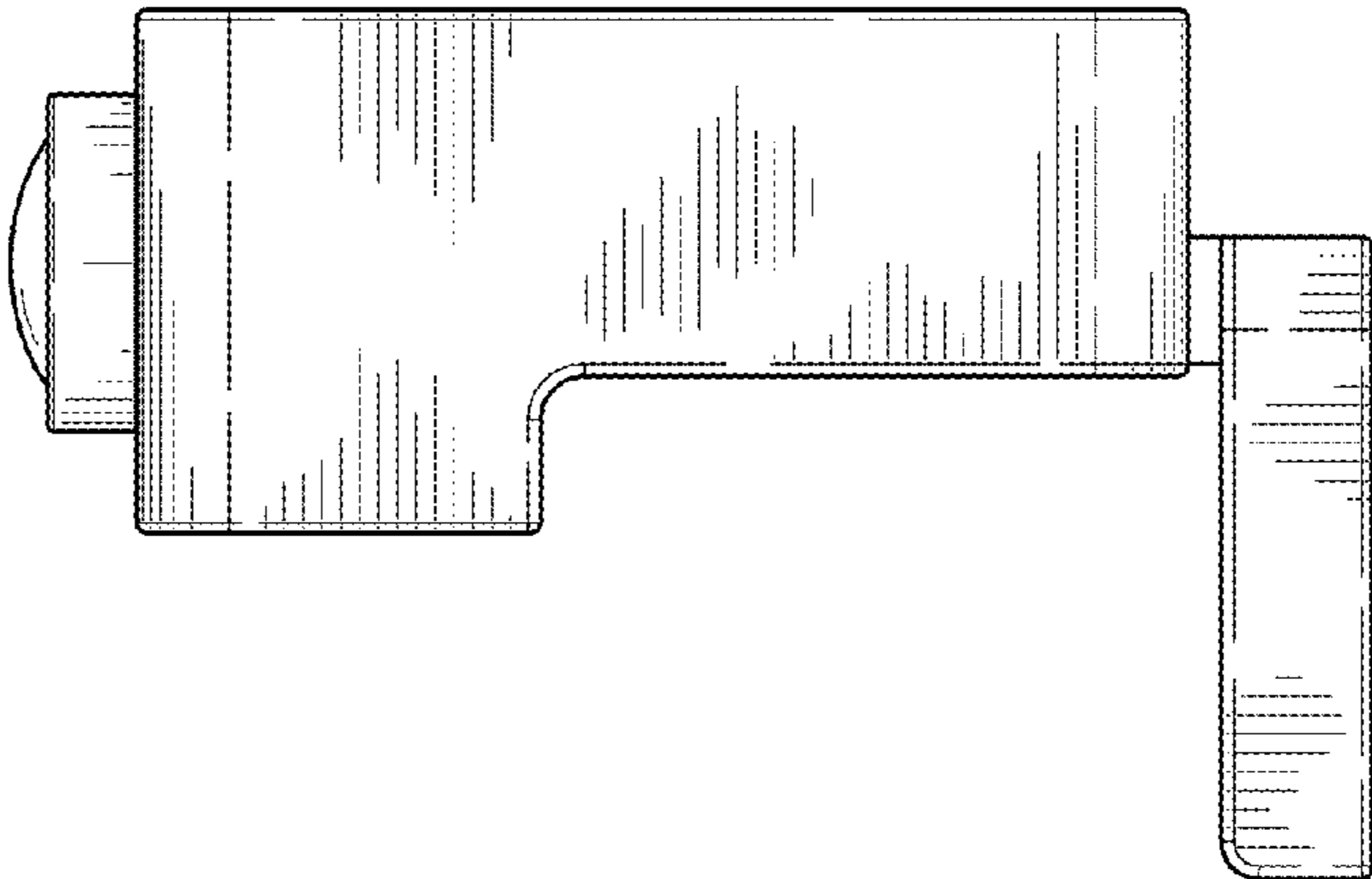


FIG. 12

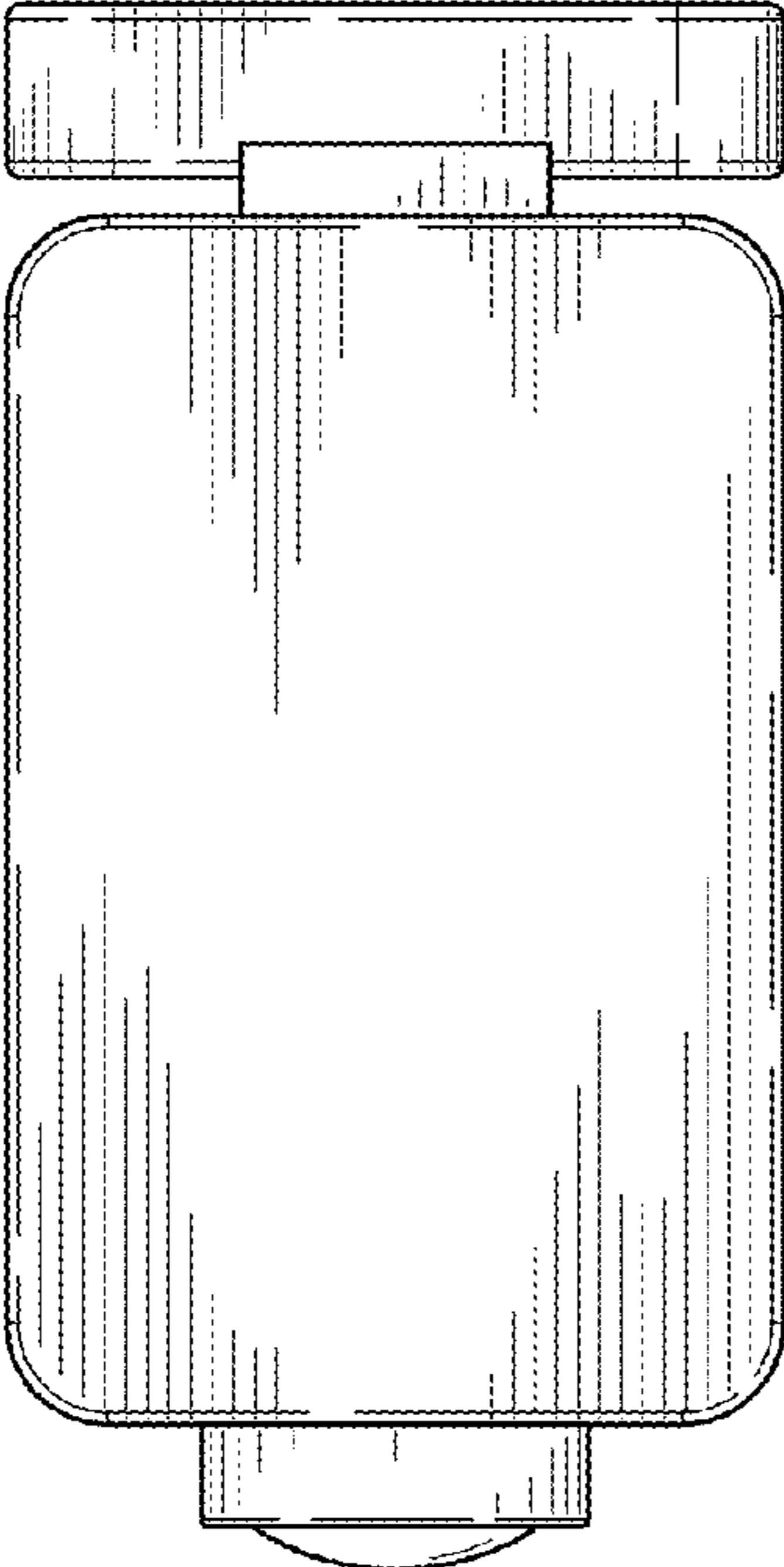


FIG. 13

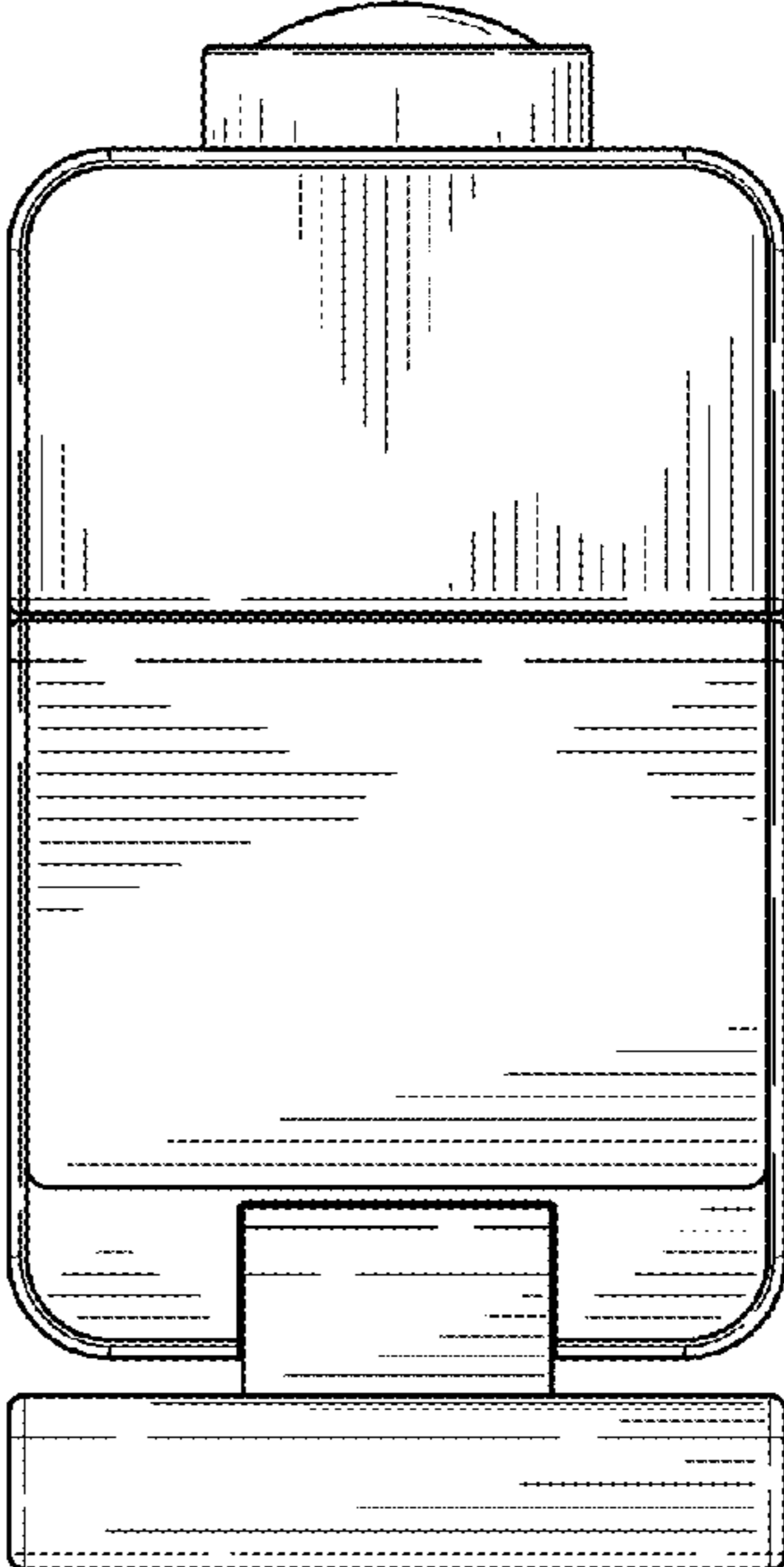


FIG. 14

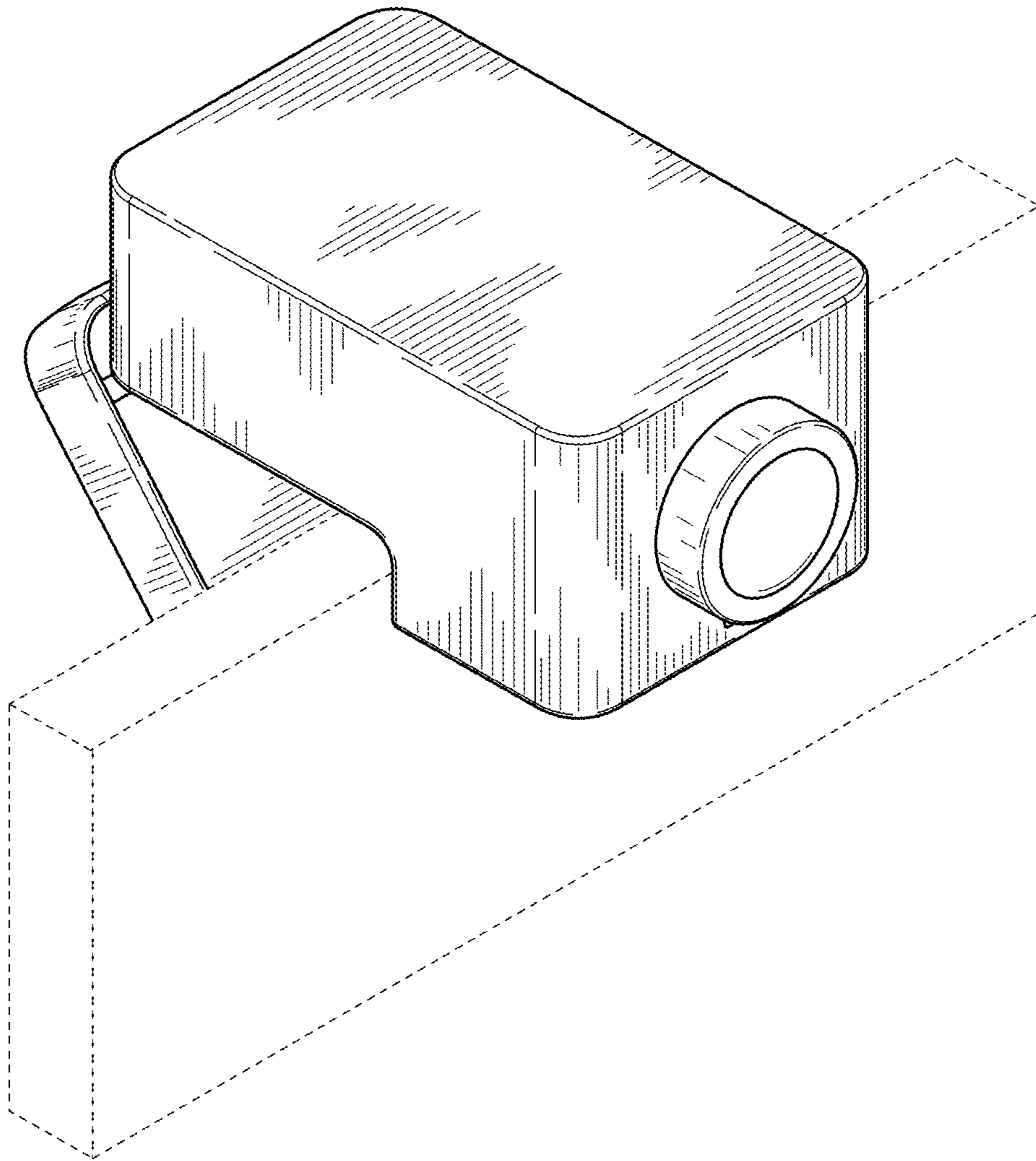


FIG. 15

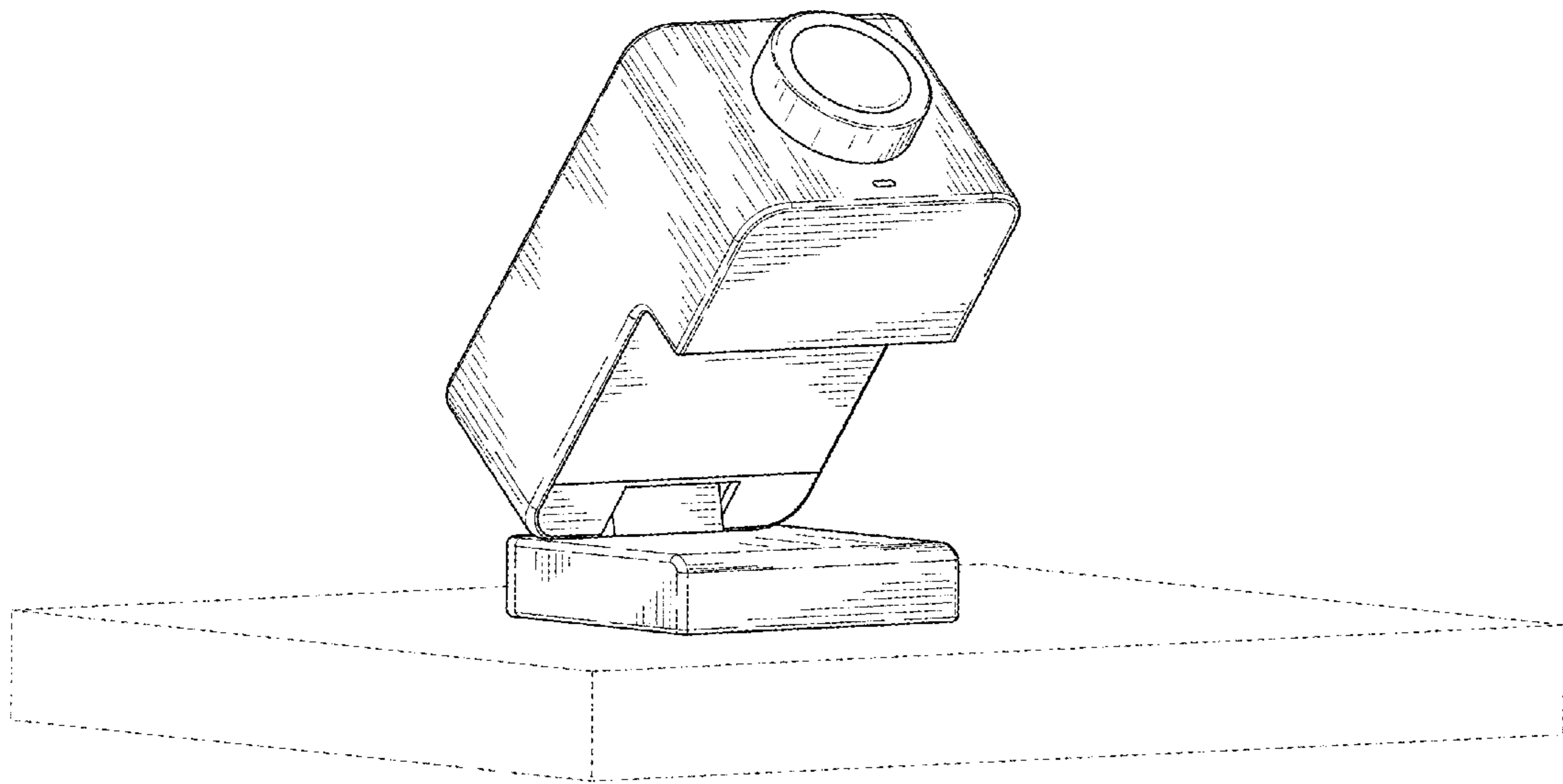


FIG. 16