



US00D750147S

(12) **United States Design Patent**  
**Muller**

(10) **Patent No.:** **US D750,147 S**  
(45) **Date of Patent:** **\*\* Feb. 23, 2016**

- (54) **PORTABLE WINDOW CAMERA**
- (71) Applicant: **Derrick L. Muller**, Burien, WA (US)
- (72) Inventor: **Derrick L. Muller**, Burien, WA (US)
- (\*\*) Term: **14 Years**
- (21) Appl. No.: **29/515,393**
- (22) Filed: **Jan. 22, 2015**
- (51) **LOC (10) Cl.** ..... **16-01**
- (52) **U.S. Cl.**  
USPC ..... **D16/203**
- (58) **Field of Classification Search**  
USPC ..... D16/200, 202, 203, 208, 218; 348/143,  
348/373–376; 396/427, 535, 539–541  
CPC ..... G03B 13/1963; H04N 5/2251; H04N  
5/2252; H04N 5/2253; H04N 5/2254; H04N  
5/2259

See application file for complete search history.

(56) **References Cited**

U.S. PATENT DOCUMENTS

5,253,051	A	10/1993	McManigal	
6,628,321	B1	9/2003	Mutaro	
7,217,045	B2 *	5/2007	Jones	..... G08B 13/1963 348/373
D547,347	S *	7/2007	Kim	..... D16/202
7,262,789	B2	8/2007	Jones	
7,441,198	B2	10/2008	Dempski et al.	
7,777,810	B2 *	8/2010	Kung	..... H04N 5/2252 348/143
7,880,739	B2	2/2011	Long et al.	

D667,861	S *	9/2012	Artonne	..... D16/203
D690,344	S *	9/2013	Hollinger	..... D16/200
D700,232	S *	2/2014	Ramsay	..... D16/218
D719,208	S *	12/2014	Mohan	..... D16/203
D722,635	S *	2/2015	Richardson	..... D16/203
D723,604	S *	3/2015	Mohan	..... D16/203
D726,799	S *	4/2015	Neufeld	..... D16/203
2005/0280706	A1	12/2005	Jong	
2009/0028542	A1 *	1/2009	Nakamoto	..... H04N 5/2259 396/427
2011/0069158	A1	3/2011	Shiloh et al.	
2013/0215217	A1	8/2013	Jones	

\* cited by examiner

*Primary Examiner* — Adir Aronovich

(74) *Attorney, Agent, or Firm* — Robert C. Montgomery;  
Montgomery Patent & Design, LP.

(57) **CLAIM**

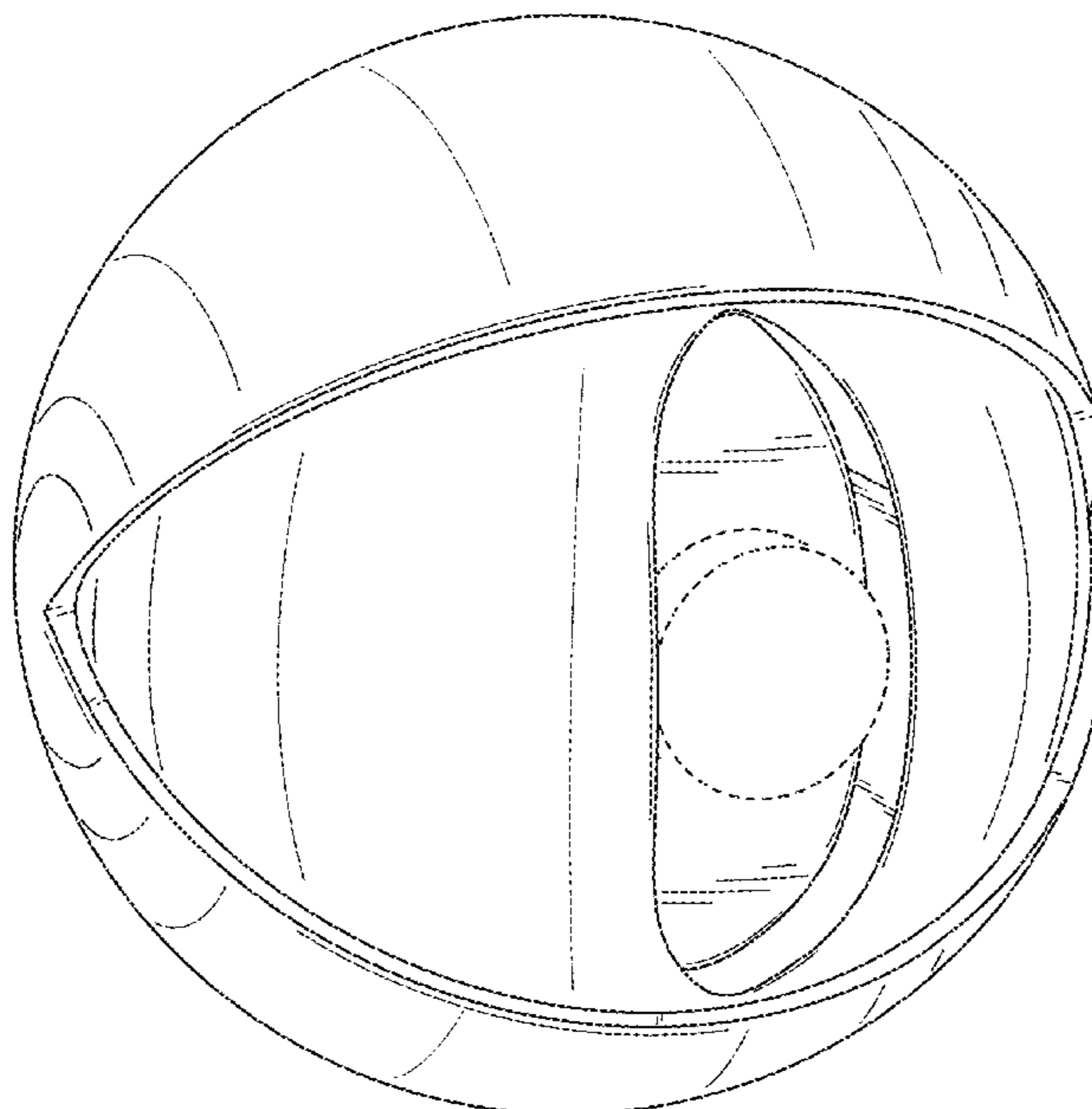
The ornamental design for a portable window camera, as shown and described.

**DESCRIPTION**

FIG. 1 is a front perspective view of a portable window camera showing my new design;  
 FIG. 2 is a front elevational view thereof;  
 FIG. 3 is a rear elevational view thereof;  
 FIG. 4 is a right side elevational view, the undisclosed left side view being a mirror image thereof; and,  
 FIG. 5 is a top plan view, the undisclosed bottom view being a mirror image thereof.

The broken lines in the drawings are shown to illustrate the portions of a portable window camera in which the design is embodied and form no part of the claimed design.

**1 Claim, 5 Drawing Sheets**



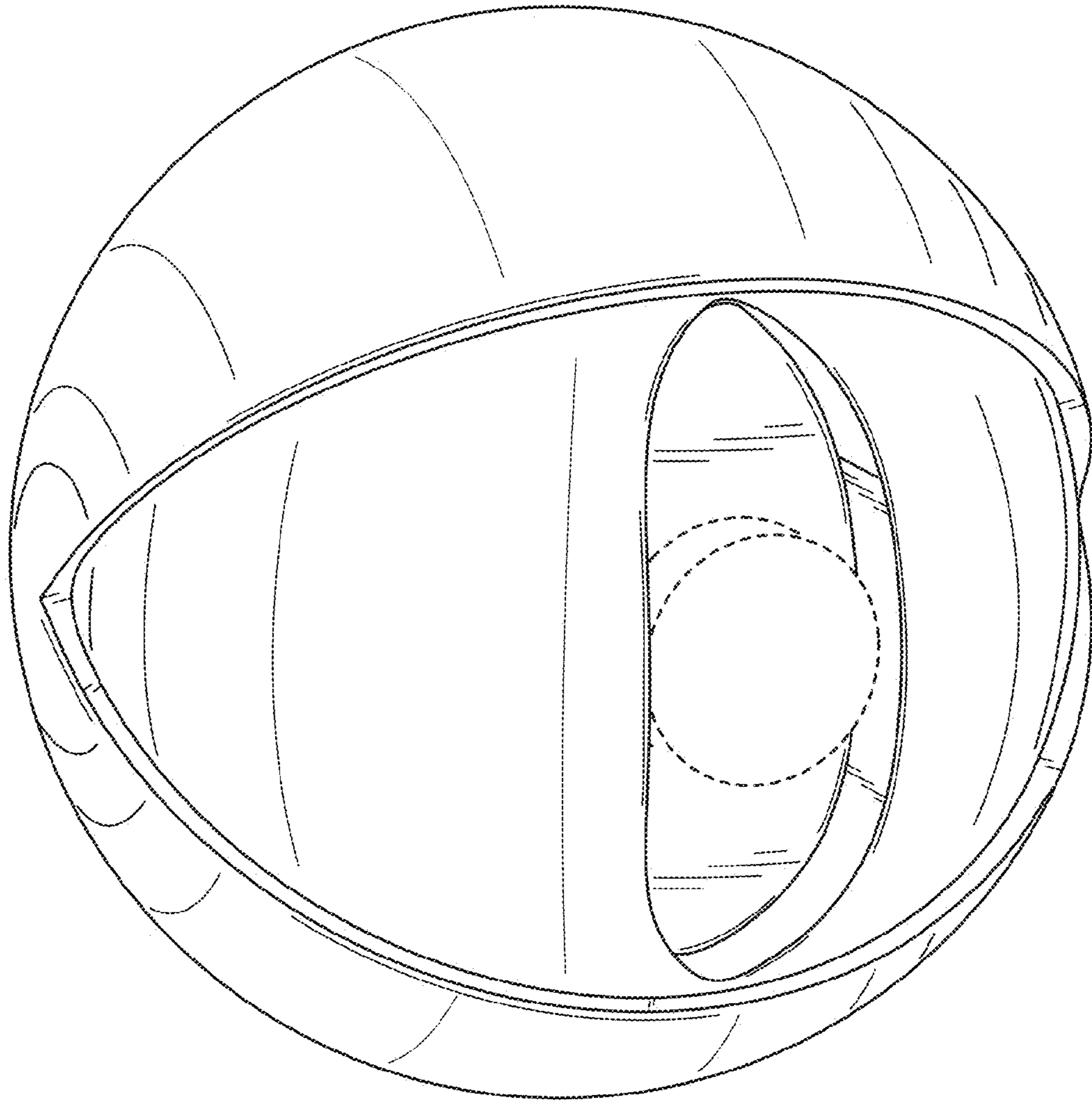


Fig. 1

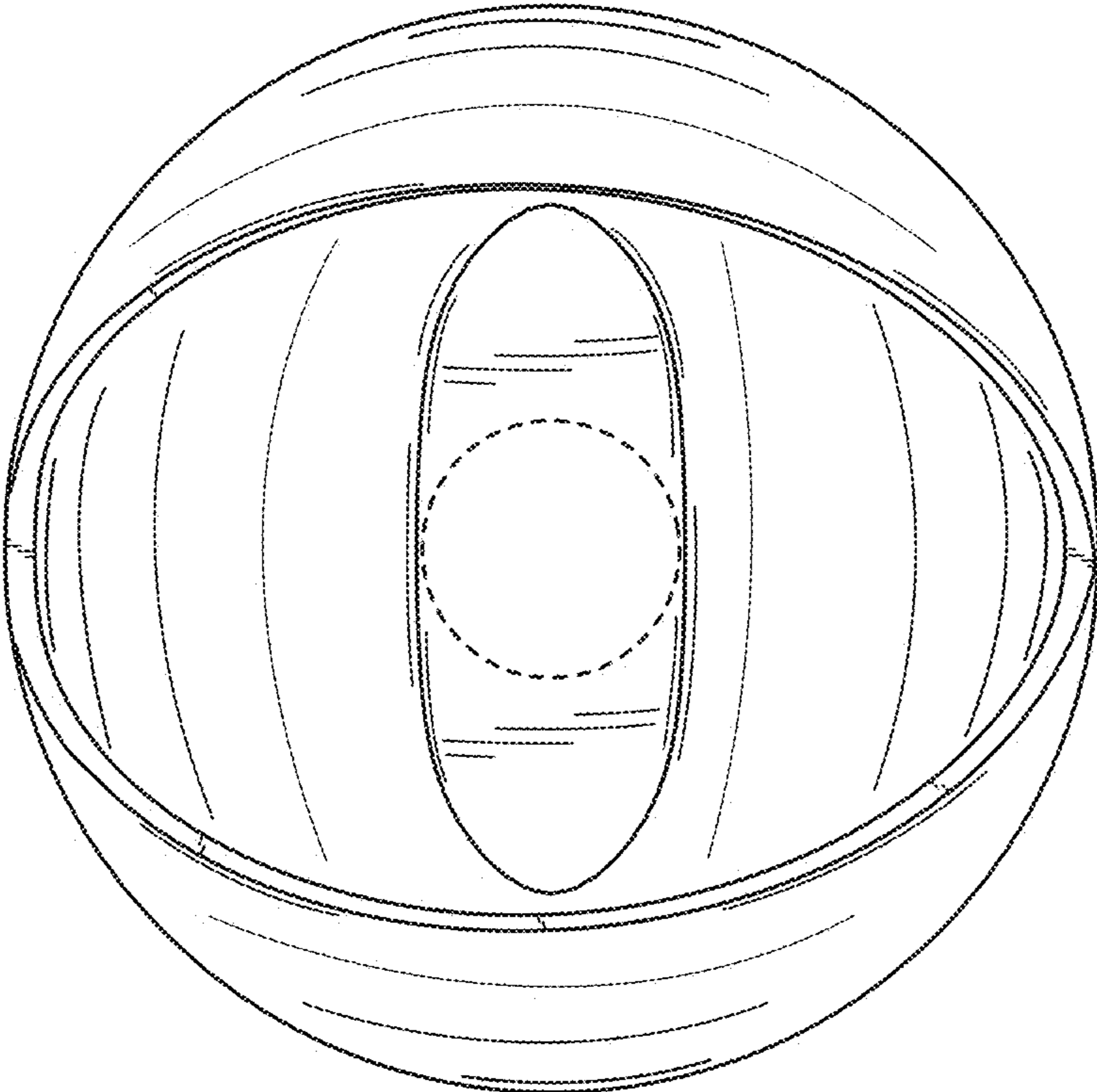


Fig. 2

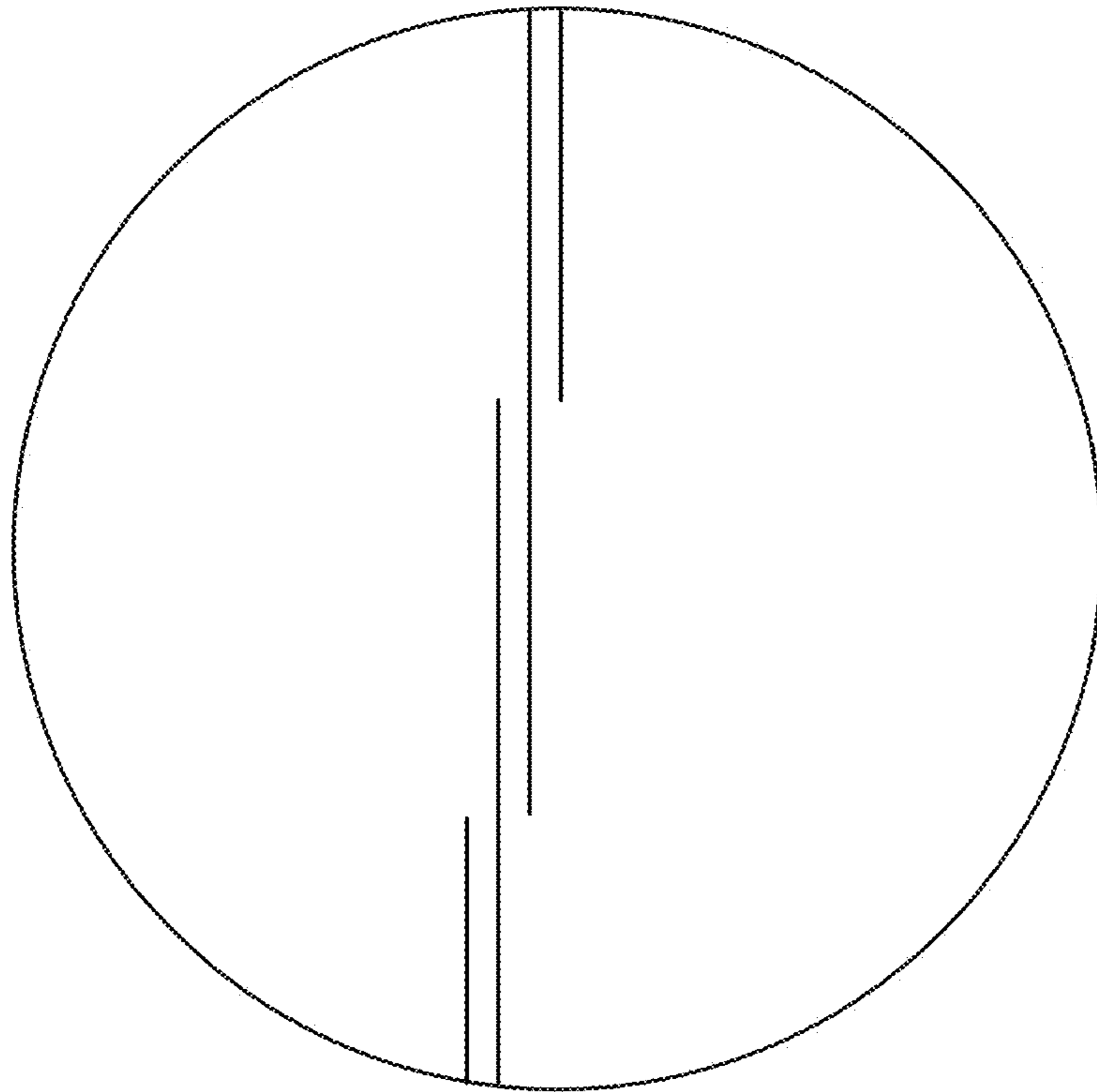


Fig. 3

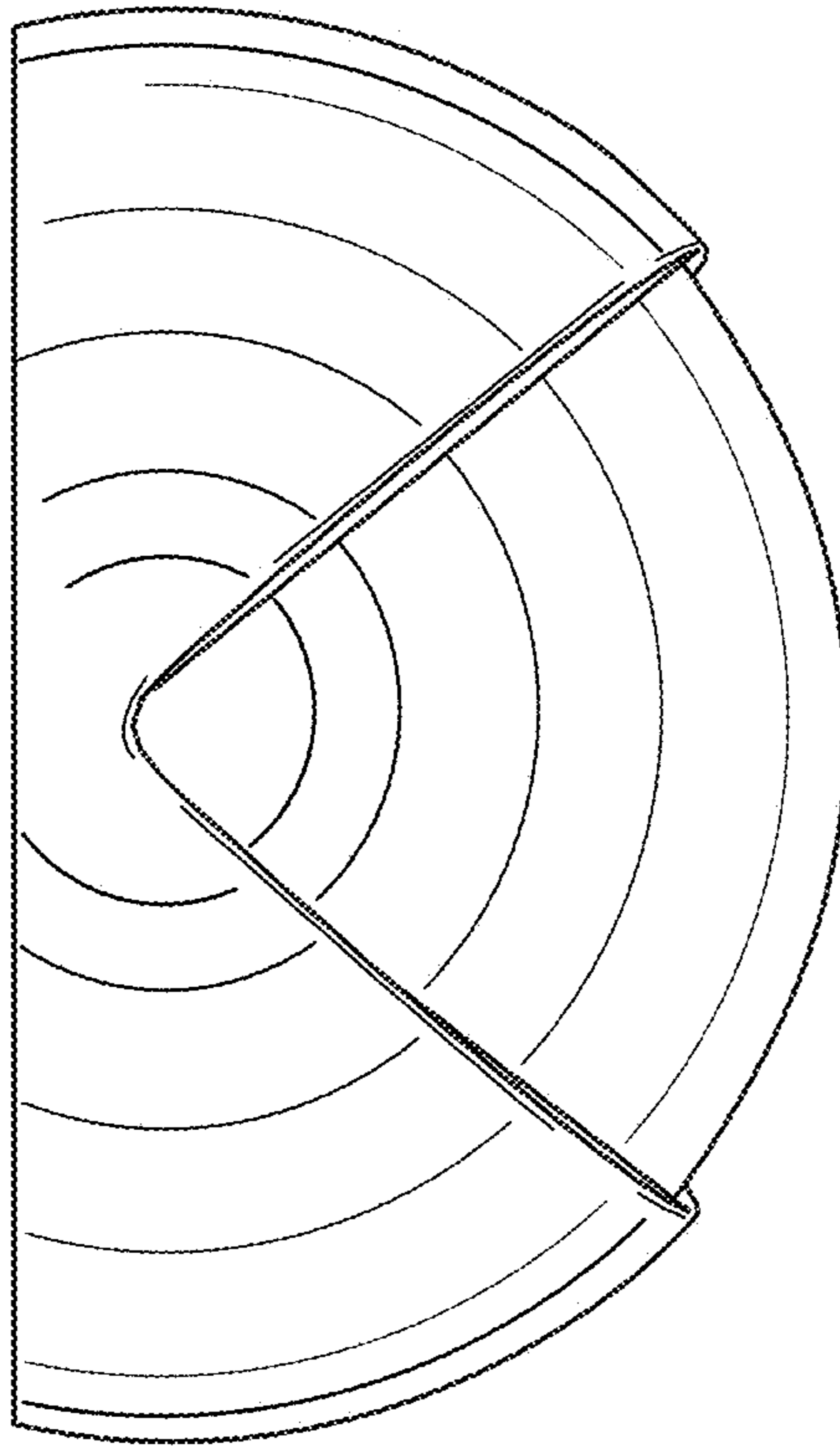


Fig. 4

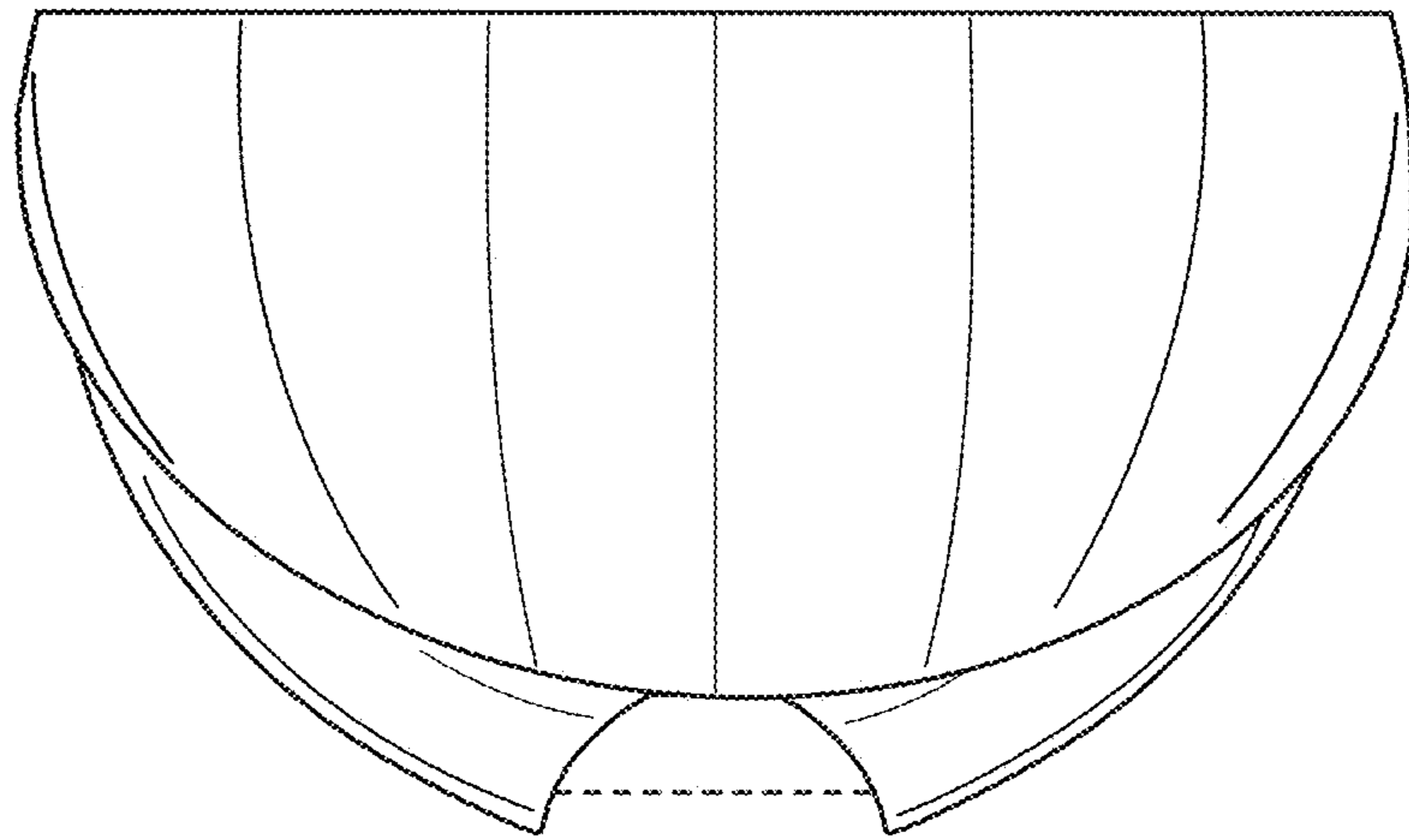


Fig. 5